



US00D580392S

(12) **United States Design Patent**
Kim et al.

(10) **Patent No.:** **US D580,392 S**

(45) **Date of Patent:** **** Nov. 11, 2008**

(54) **CELLULAR PHONE**

(75) Inventors: **Young-Se Kim**, Palo Alto, CA (US);
Ji-Eun Lee, Seoul (KR); **Young-Ju Yeo**,
Seoul (KR); **Chang-Soo Lee**, Incheon-si
(KR)

(73) Assignee: **Samsung Electronics Co., Ltd.**,
Suwon-Si (KR)

(**) Term: **14 Years**

(21) Appl. No.: **29/290,900**

(22) Filed: **Jan. 29, 2008**

(51) **LOC (8) Cl.** **14-03**

(52) **U.S. Cl.** **D14/138**

(58) **Field of Classification Search** D14/137,
D14/138, 147, 191, 218, 247-248, 341-347,
D14/496; D10/65, 78, 104; D13/168; D18/7;
455/556.1, 566, 575.1, 575.3; 345/169

See application file for complete search history.

(56) **References Cited**

U.S. PATENT DOCUMENTS

D341,823 S *	11/1993	Sakai	D14/341
D356,548 S *	3/1995	Bottcher et al.	D14/341
D361,552 S *	8/1995	Iino	D14/341
D408,794 S *	4/1999	Ogasawara	D14/341
D451,505 S *	12/2001	Iseki et al.	D14/341
6,336,037 B1 *	1/2002	Sekine et al.	455/550.1
D458,252 S *	6/2002	Palm et al.	D14/343
6,525,715 B2 *	2/2003	Uchiyama et al.	345/169
D478,051 S *	8/2003	Sagawa	D13/168
D485,265 S *	1/2004	Sato et al.	D14/341
D486,149 S *	2/2004	Kawami et al.	D14/341
D488,469 S *	4/2004	Batsikas	D14/341
D496,034 S *	9/2004	Guerrera et al.	D14/336
6,954,615 B2 *	10/2005	Sano	455/41.1
D514,558 S *	2/2006	Nagel et al.	D14/341
7,016,182 B2 *	3/2006	Brandenberg et al.	361/683
D521,508 S *	5/2006	Ting	D14/341
D524,809 S *	7/2006	Alcouloumre et al.	D14/341

D529,017 S *	9/2006	Kim	D14/138
D543,979 S *	6/2007	Lee	D14/341
7,342,776 B1 *	3/2008	Chan	361/680
D566,588 S *	4/2008	Stevens et al.	D10/65
D571,801 S *	6/2008	Shaheen	D14/346
D572,160 S *	7/2008	Cherneff et al.	D10/104
2004/0203505 A1 *	10/2004	Newman et al.	455/90.3
2006/0194619 A1 *	8/2006	Wilcox et al.	455/566

FOREIGN PATENT DOCUMENTS

WO DM/068101 * 8/2006

OTHER PUBLICATIONS

Pantech PG-6100,1 announced 3rd quarter 2005, [online], [retrieved on Jul. 14, 2008]. Retrieved from Internet ,<URL: <http://www.gsmarena.com>>.*

* cited by examiner

Primary Examiner—Jeffrey D. Asch

Assistant Examiner—Bridget L Eland

(74) *Attorney, Agent, or Firm*—Staas & Halsey LLP

(57) **CLAIM**

The ornamental design for a cellular phone, as shown and described.

DESCRIPTION

FIG. 1 is a perspective view of a cellular phone according to our new design;

FIG. 2 is a front elevational view thereof;

FIG. 3 is a rear elevational view thereof;

FIG. 4 is a left side elevational view thereof;

FIG. 5 is a right side elevational view thereof;

FIG. 6 is a top plan view thereof;

FIG. 7 is a bottom plan view thereof; and,

FIG. 8 is a perspective view of the cellular phone according to our new design in a state in which the cellular phone is open when used.

1 Claim, 6 Drawing Sheets

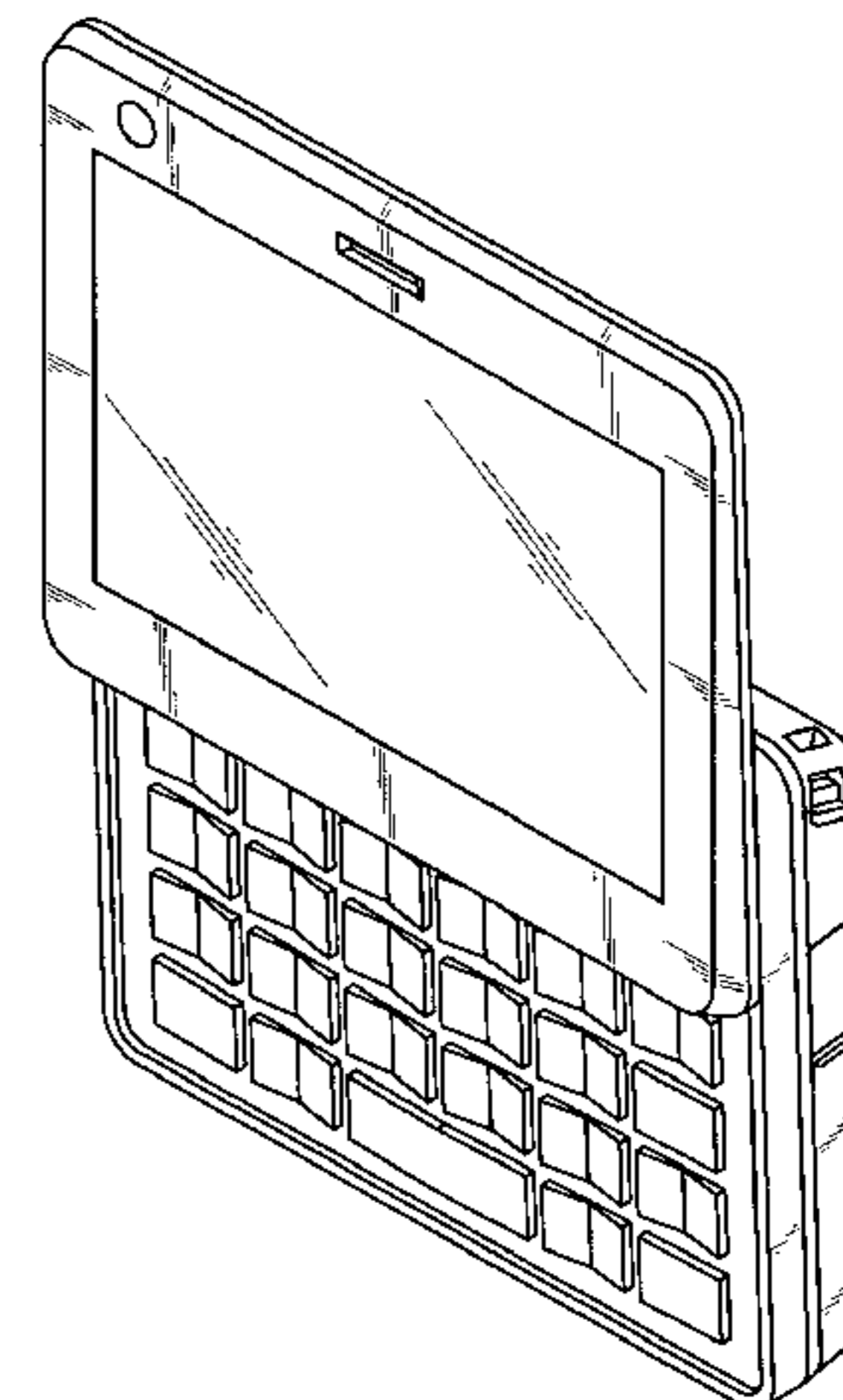
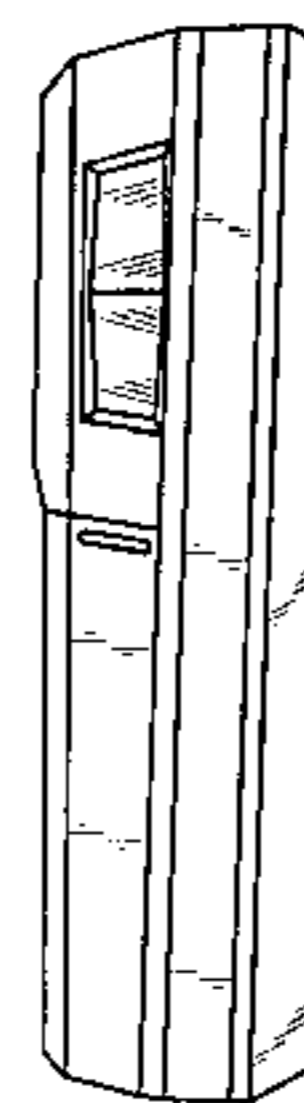
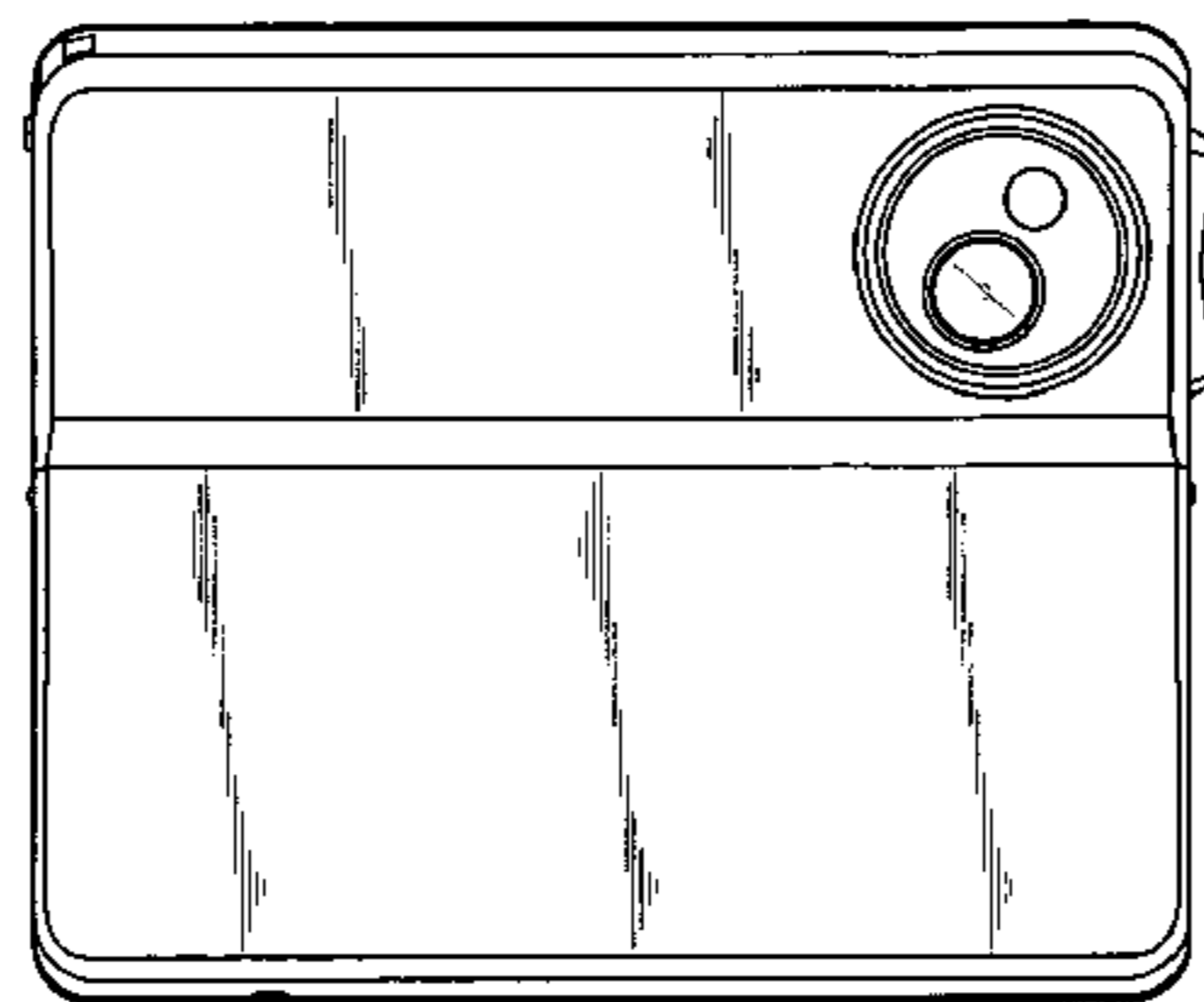
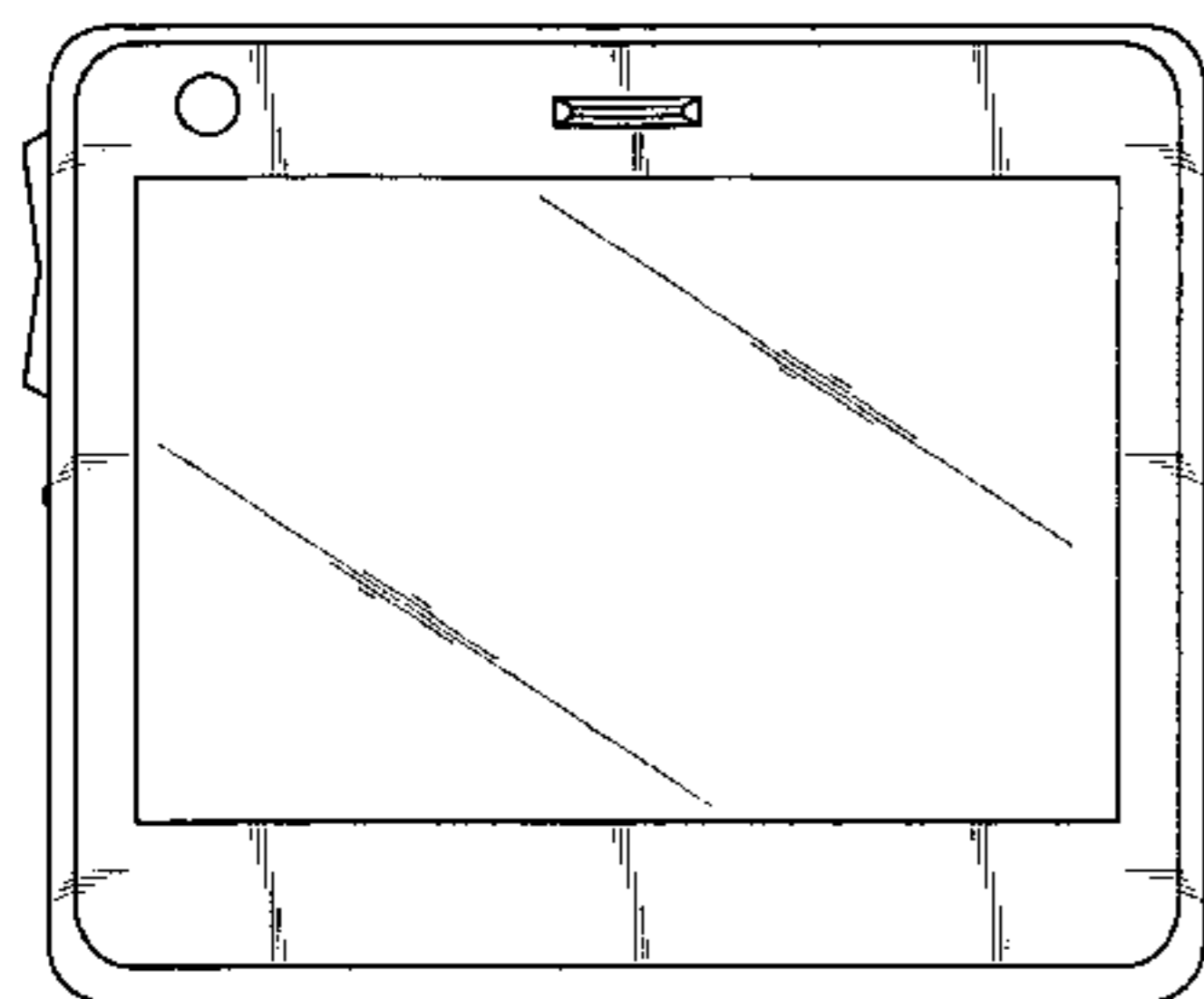


FIG. 1

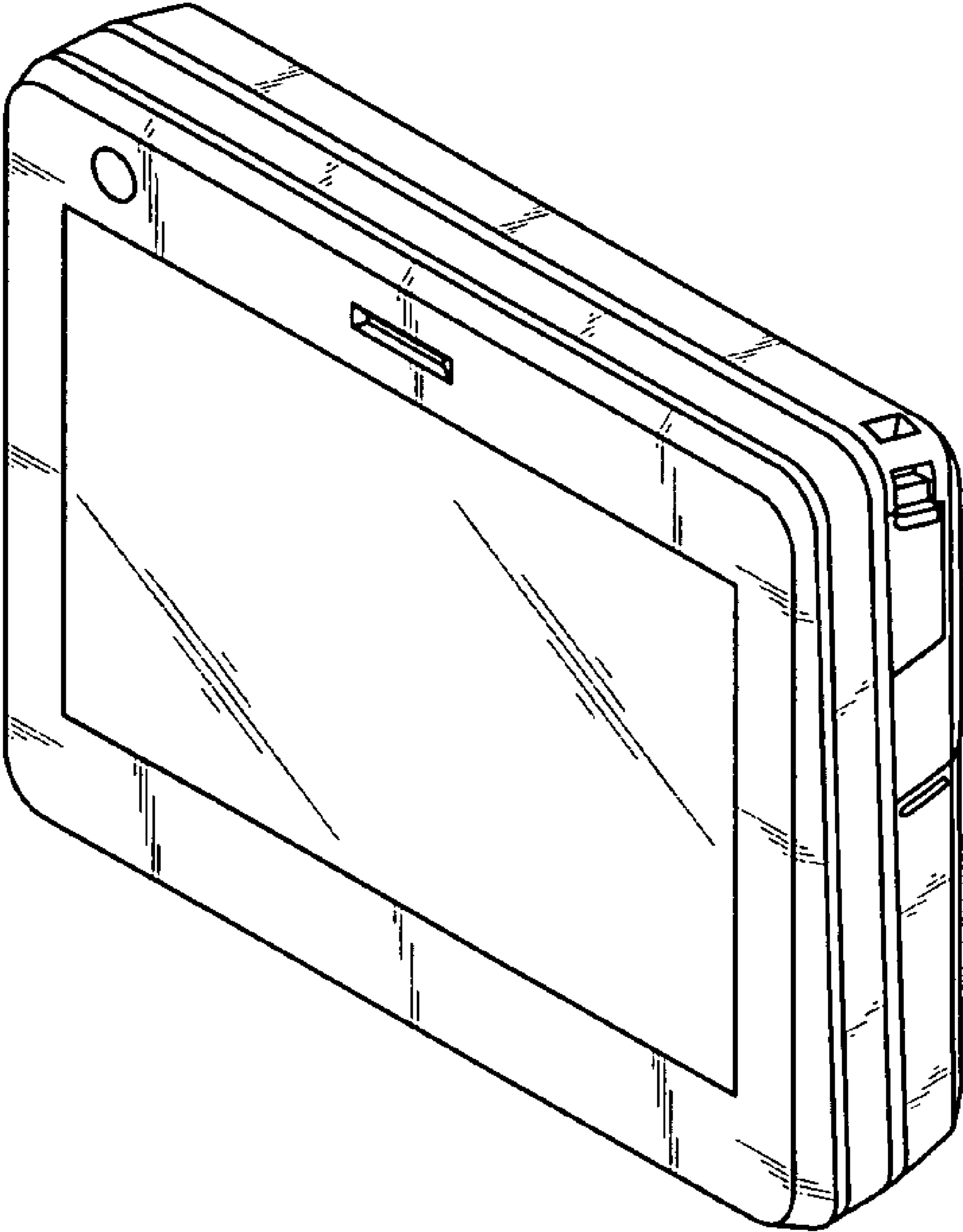


FIG. 2

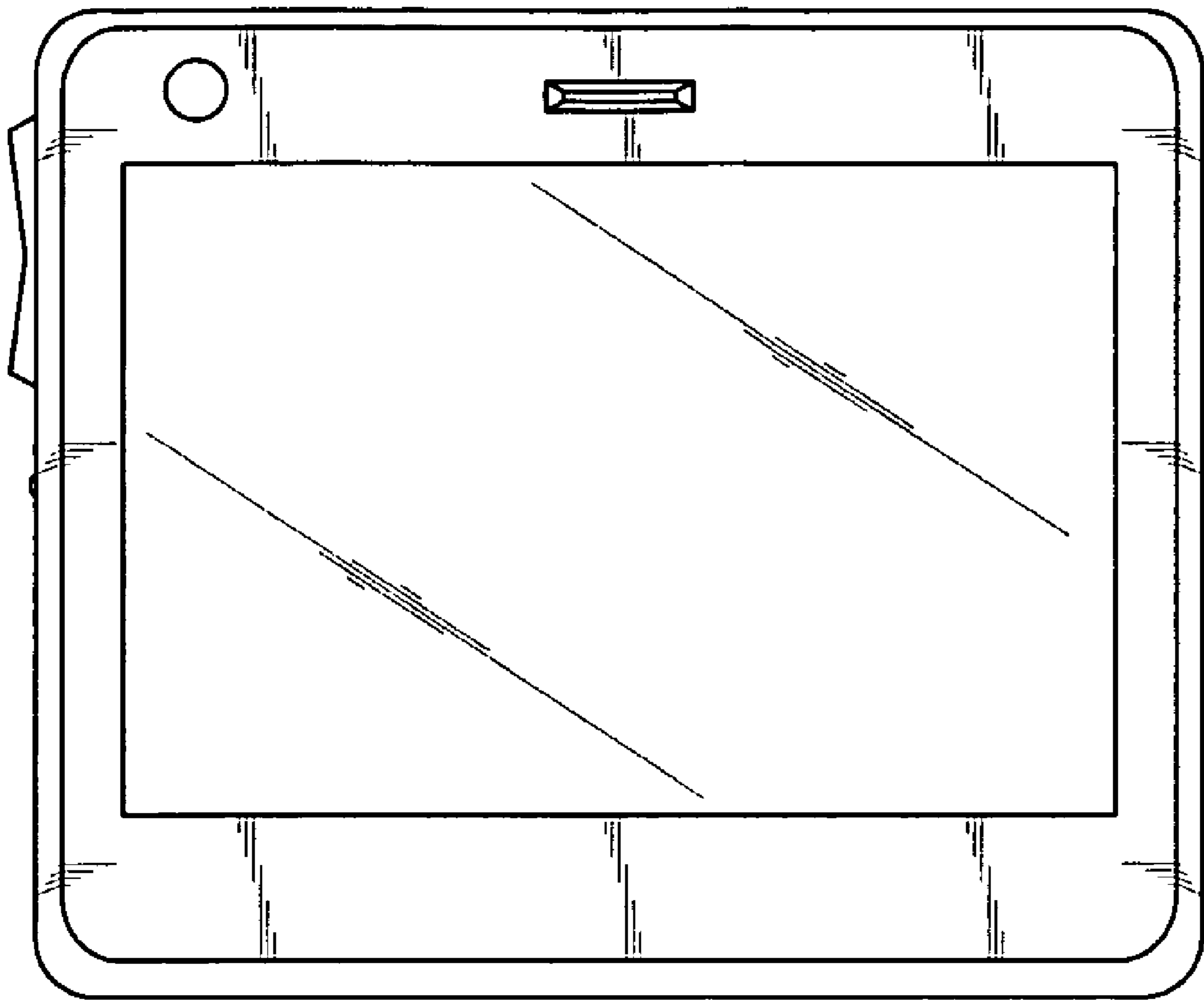


FIG. 3

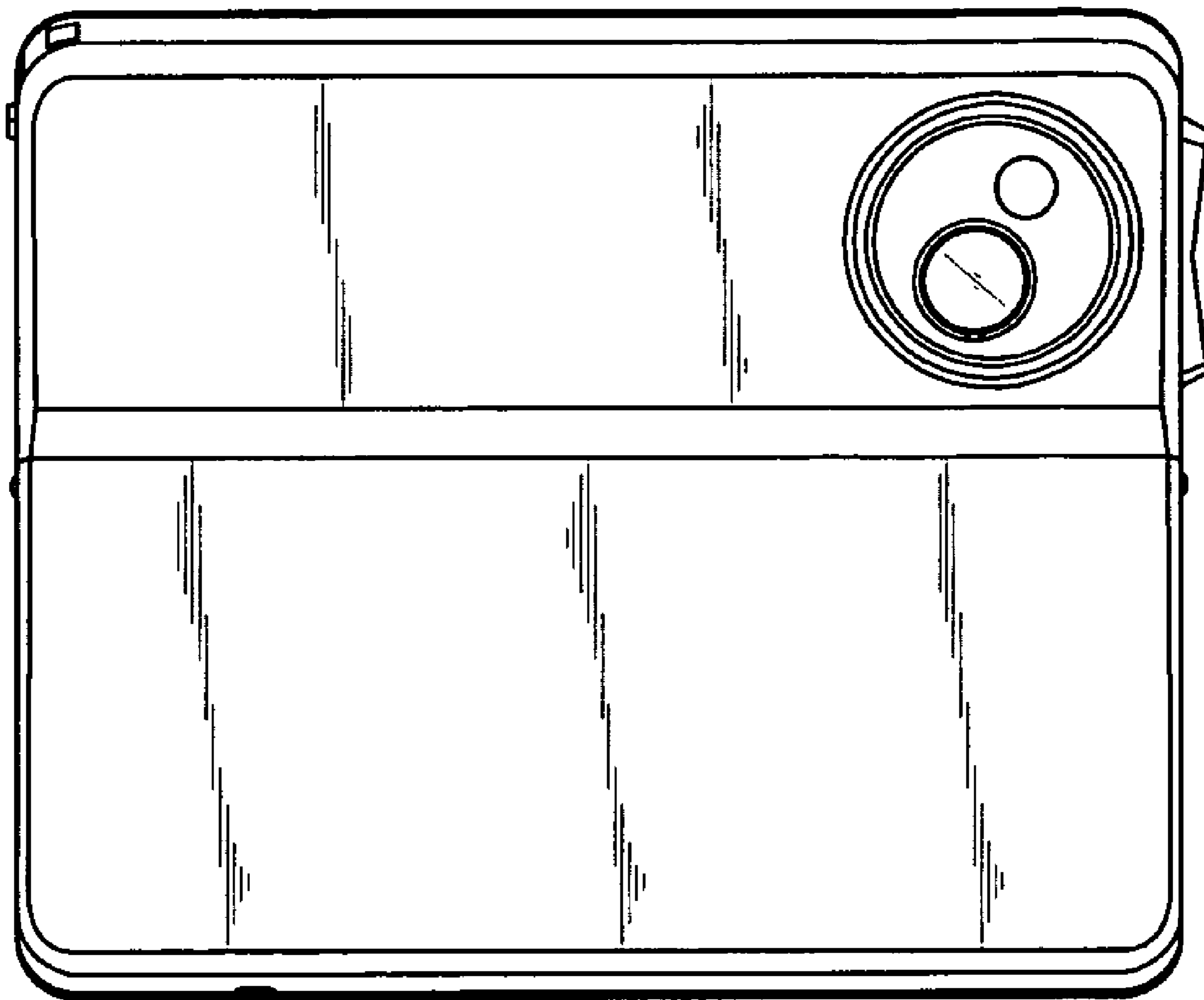


FIG. 4

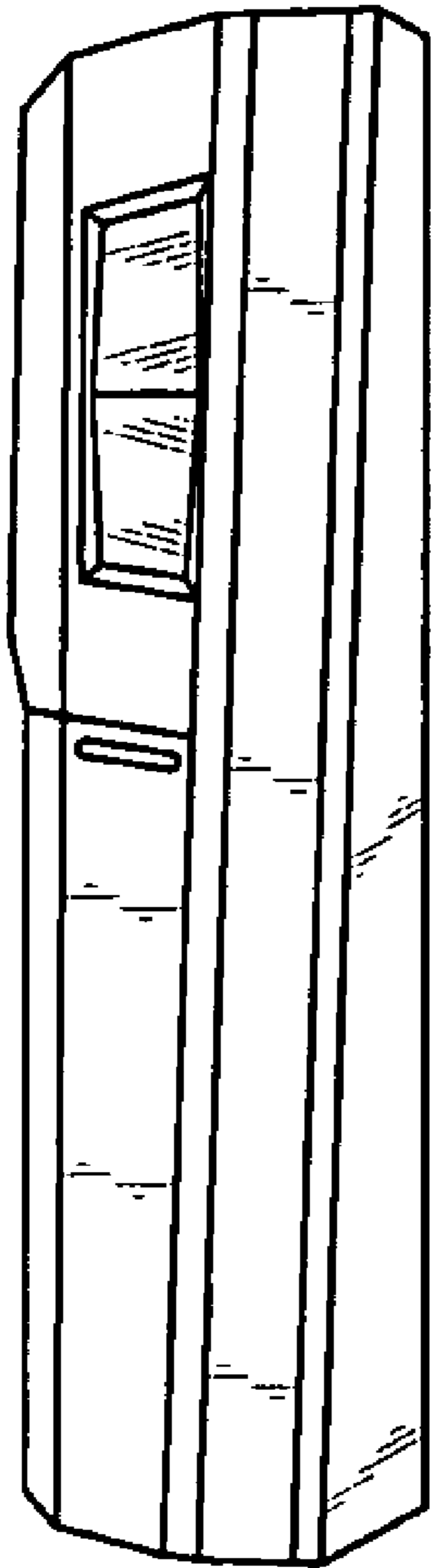


FIG. 5

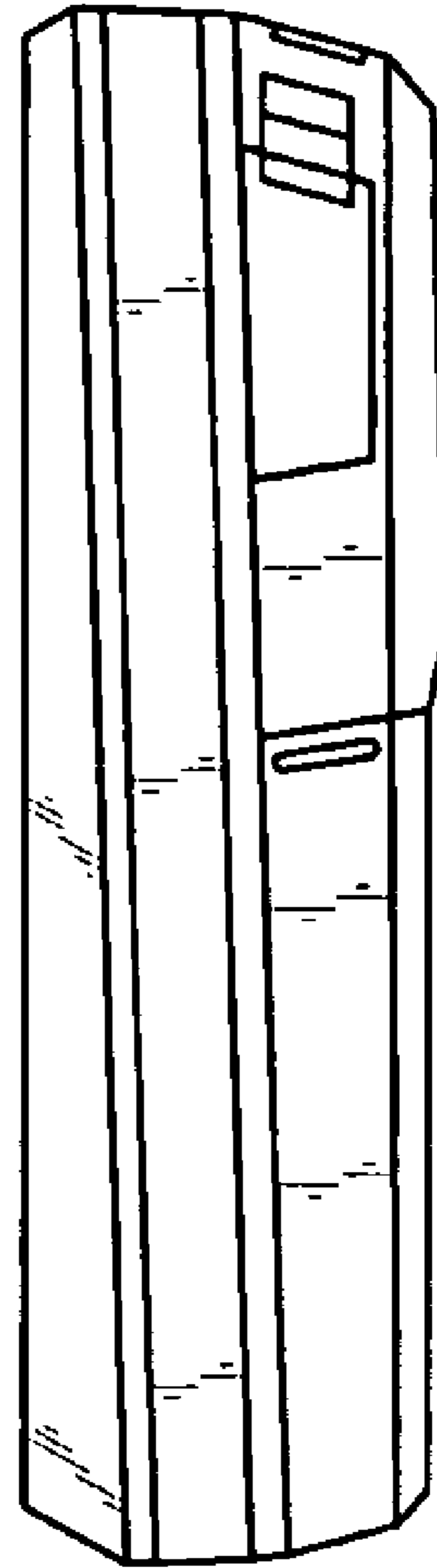


FIG. 6

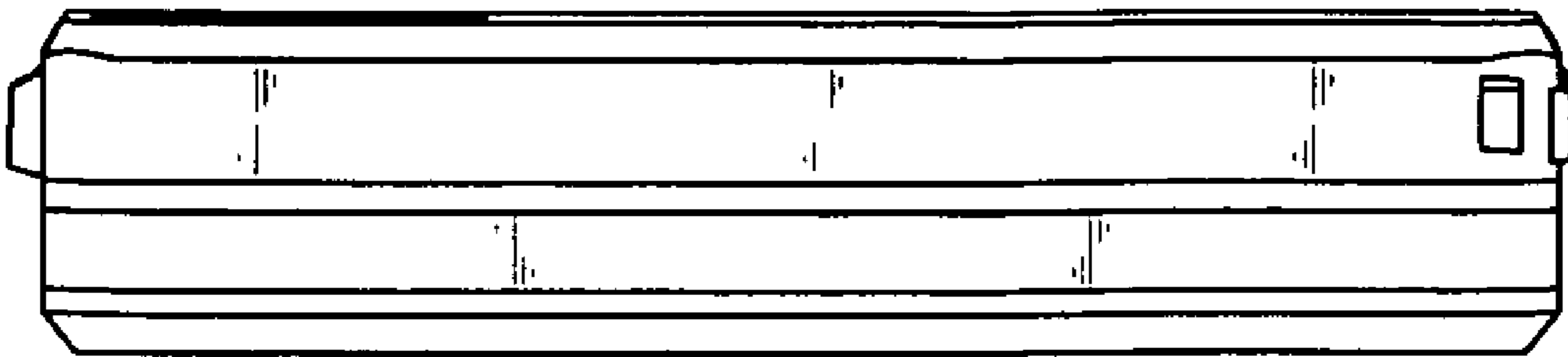


FIG. 7

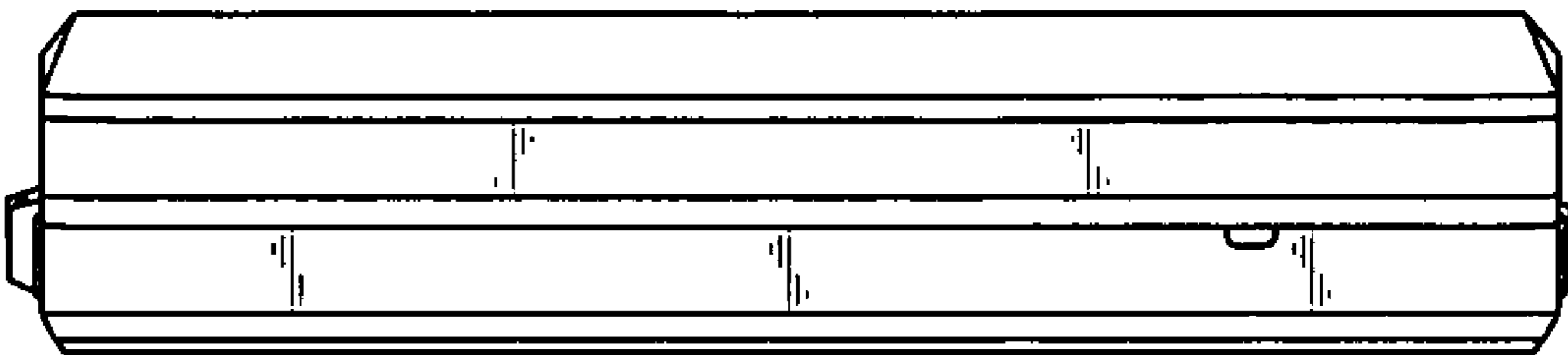


FIG. 8

