



US00D580382S

(12) **United States Design Patent**
Ohsawa et al.

(10) **Patent No.:** **US D580,382 S**
(45) **Date of Patent:** **** Nov. 11, 2008**

(54) **IDENTIFICATION MARK FOR A WIRING
CIRCUIT BOARD CARRYING SHEET**

Primary Examiner—Selina Sikder
(74) *Attorney, Agent, or Firm*—Osha•Liang LLP

(75) Inventors: **Tetsuya Ohsawa**, Osaka (JP); **Yoshihiko
Takeuchi**, Osaka (JP); **Kouji Kataoka**,
Osaka (JP)

(57) **CLAIM**

The ornamental design for an identification mark for a wiring
circuit board carrying sheet, as shown and described.

(73) Assignee: **Nitto Denko Corporation**, Osaka (JP)

(**) Term: **14 Years**

DESCRIPTION

(21) Appl. No.: **29/265,134**

(22) Filed: **Aug. 25, 2006**

(30) **Foreign Application Priority Data**

Mar. 2, 2006	(JP)	2006-005237
Mar. 2, 2006	(JP)	2006-005239
Mar. 2, 2006	(JP)	2006-005240
Mar. 2, 2006	(JP)	2006-005241

FIG. 1 is a front view of the identification mark for a wiring
circuit board carrying sheet, shown placed on a wiring circuit
board;

FIG. 2 is a rear view thereof;

FIG. 3 is a right side view thereof, the left side being a mirror
image;

FIG. 4 is a bottom view thereof, the top view being a mirror
image;

(51) **LOC (8) Cl.** **13-03**

(52) **U.S. Cl.** **D13/182**

(58) **Field of Classification Search** D13/182
See application file for complete search history.

FIG. 5 is an enlarged front view of the area referenced as 5—5
in FIG. 1;

FIG. 6 is an enlarged rear view of the area referenced as 6—6
in FIG. 2;

(56) **References Cited**

U.S. PATENT DOCUMENTS

4,523,883	A *	6/1985	Peterson et al.	411/171
4,589,794	A *	5/1986	Sugiura et al.	403/187
5,535,100	A *	7/1996	Lubahn et al.	361/801
5,750,936	A *	5/1998	Wheatley et al.	174/138 G
5,751,558	A *	5/1998	Gullicksrud et al.	361/801
6,021,563	A *	2/2000	Heo et al.	29/846
6,215,667	B1 *	4/2001	Ady et al.	361/752
6,923,691	B2 *	8/2005	Ireland	439/876
2002/0027017	A1 *	3/2002	Petri	174/250
2005/0045370	A1 *	3/2005	Katayama	174/250
2007/0247827	A1 *	10/2007	Lorenzen	361/801
2008/0012095	A1 *	1/2008	Lee et al.	257/618

FIG. 7 is an enlarged top view thereof, the bottom view being
a mirror image;

FIG. 8 is an enlarged left side view thereof, the right side view
being a mirror image;

FIG. 9 is a cross-sectional view taken along line 9—9 in FIG.
5;

FIG. 10 is a cross-sectional view taken along line 10—10 in
FIG. 5;

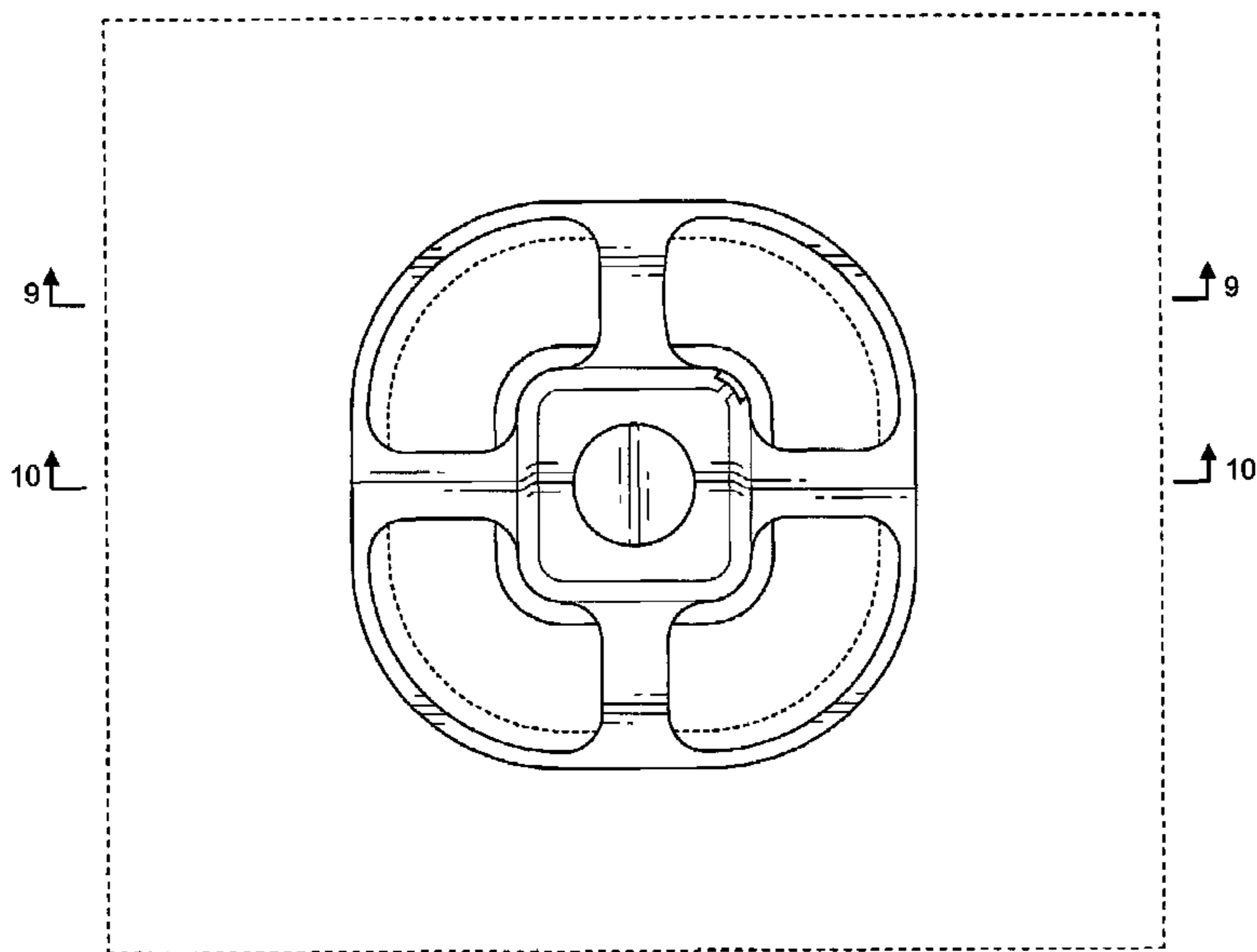
FIG. 11 is an expanded front view of FIG. 1; and,

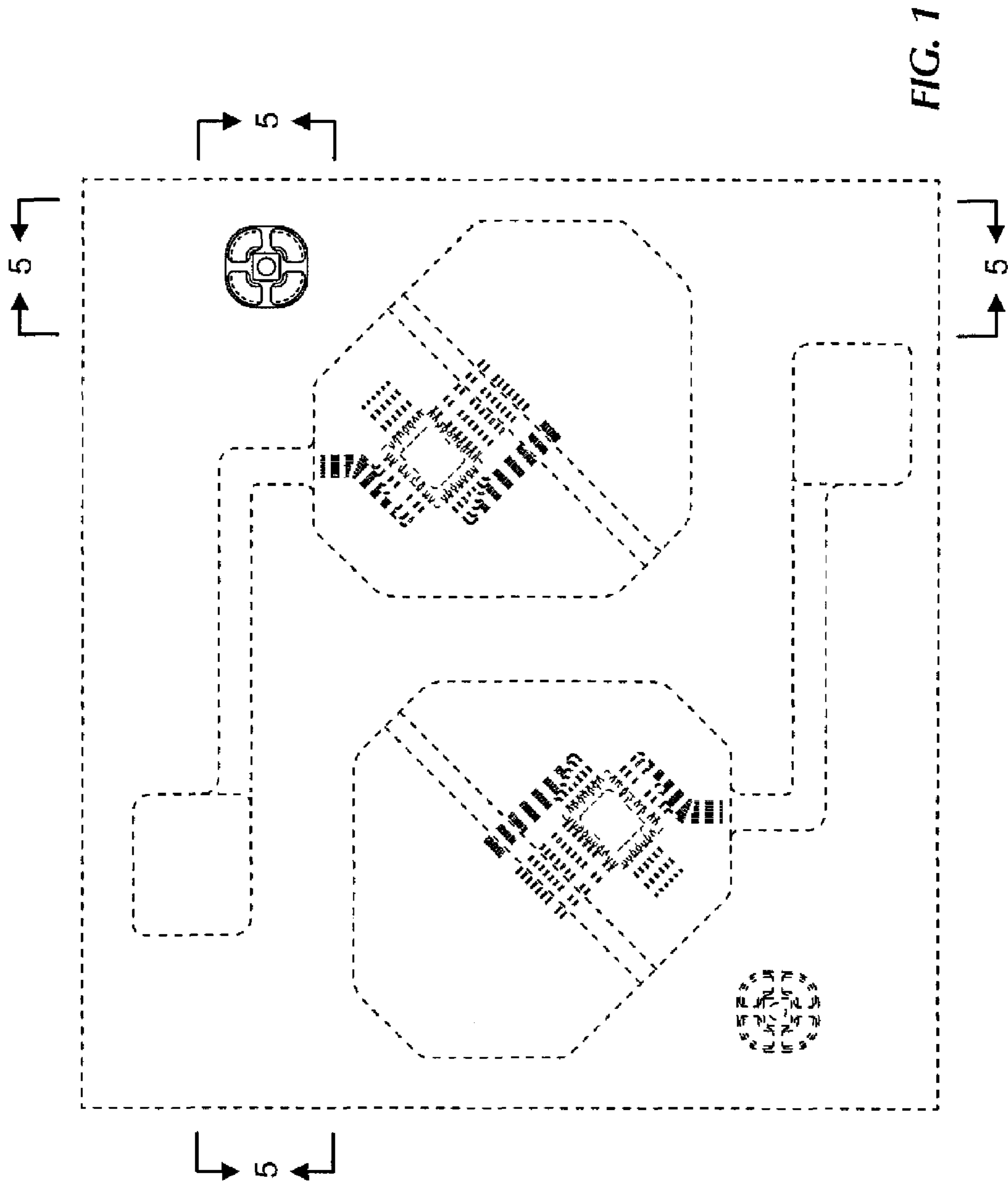
FIG. 12 is an expanded rear view of FIG. 2.

The broken lines represent unclaimed subject matter.

* cited by examiner

1 Claim, 8 Drawing Sheets





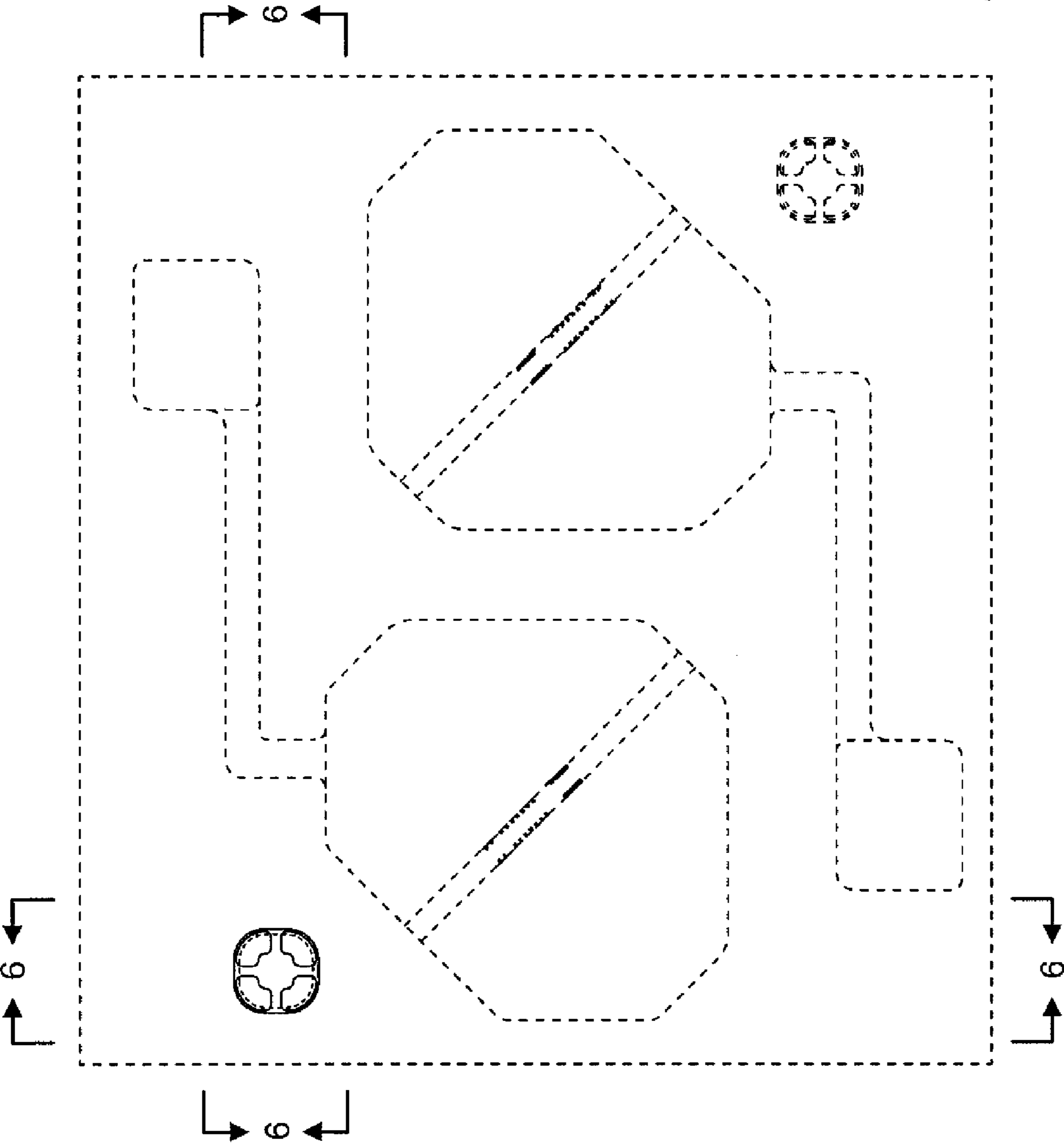


FIG. 2



FIG. 4



FIG. 3

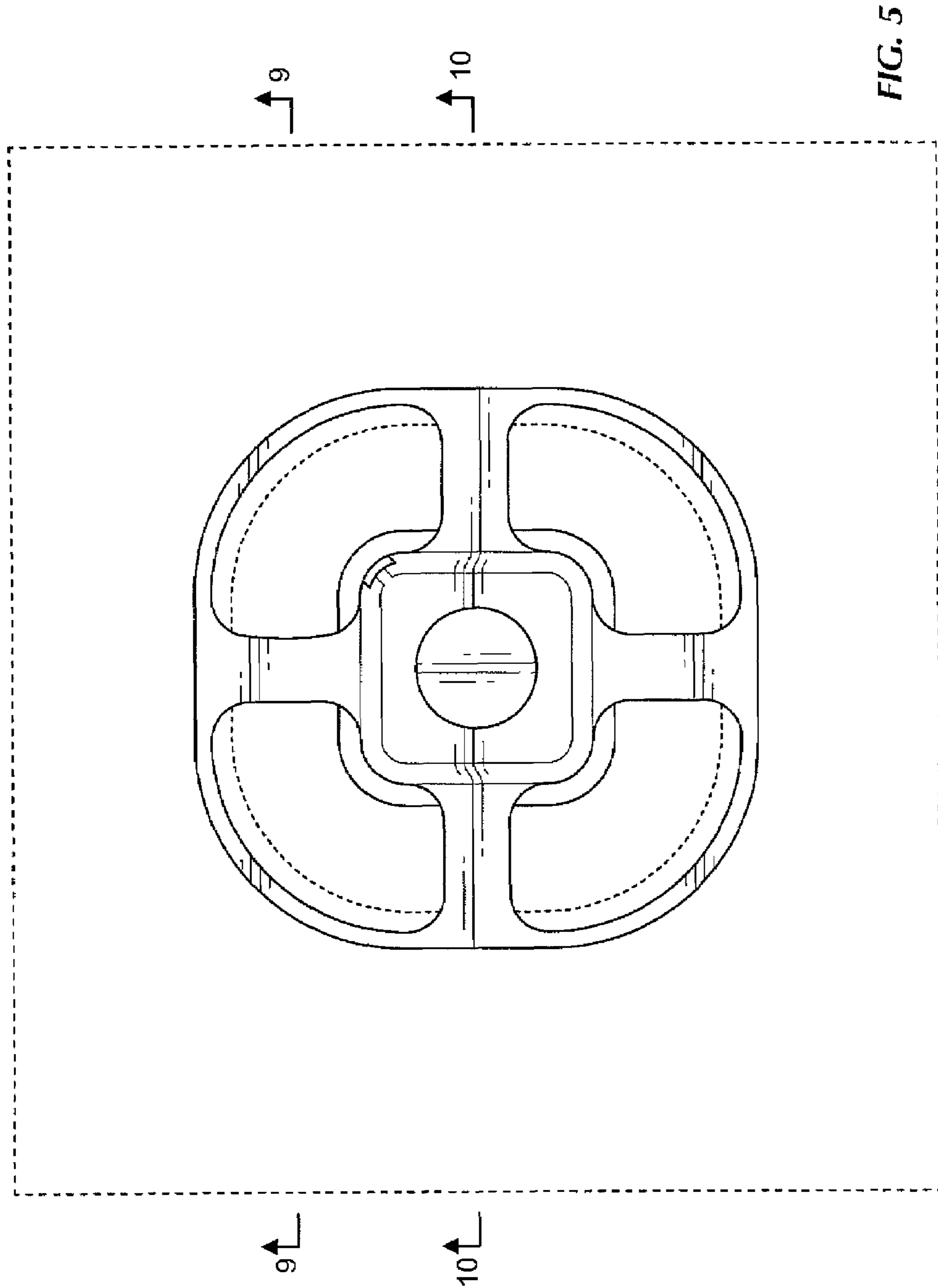
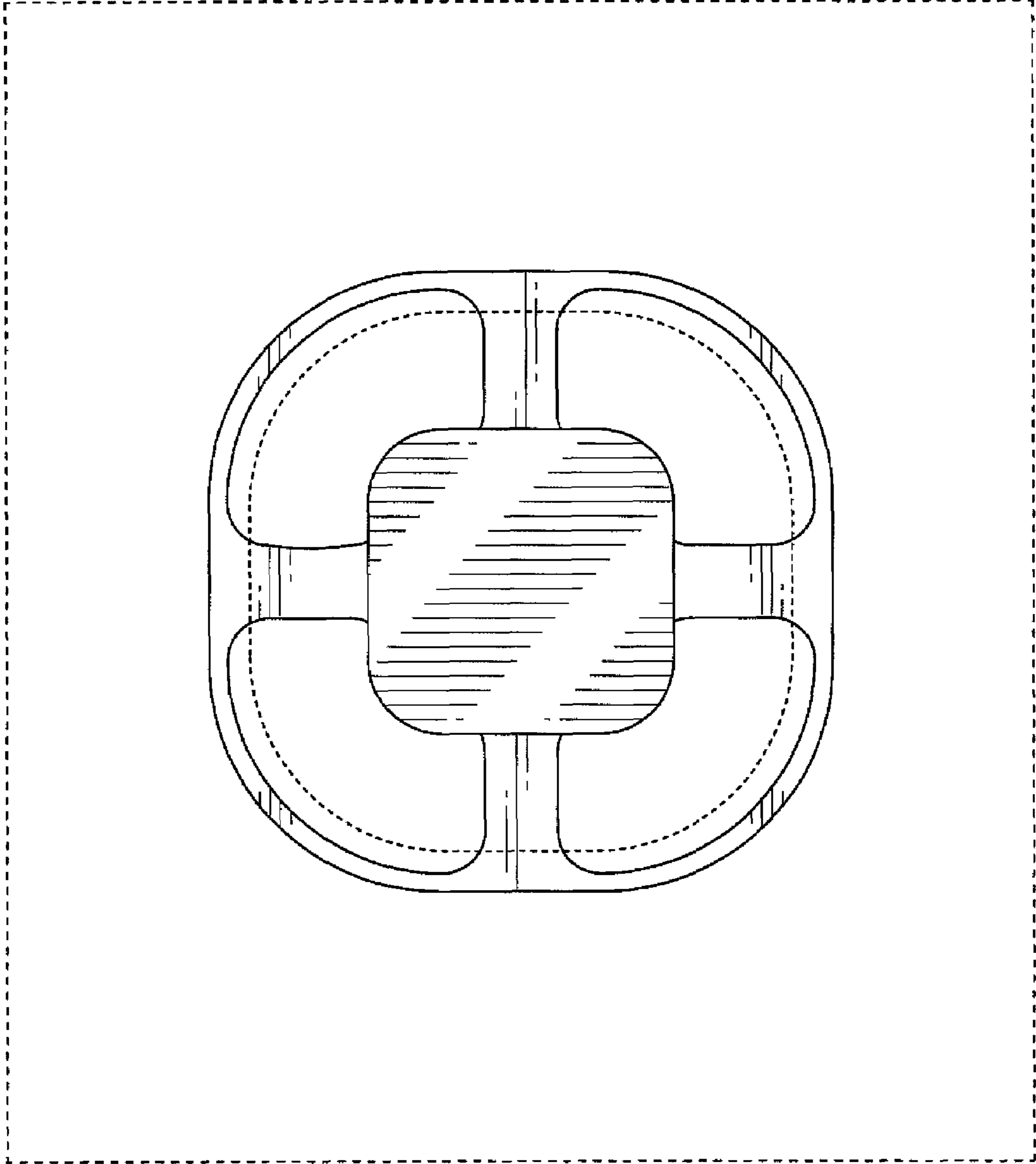


FIG. 6



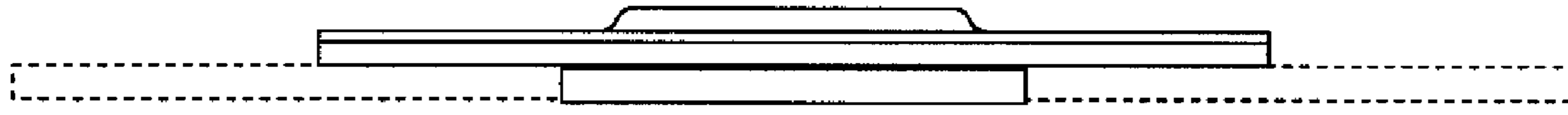


FIG. 8



FIG. 7

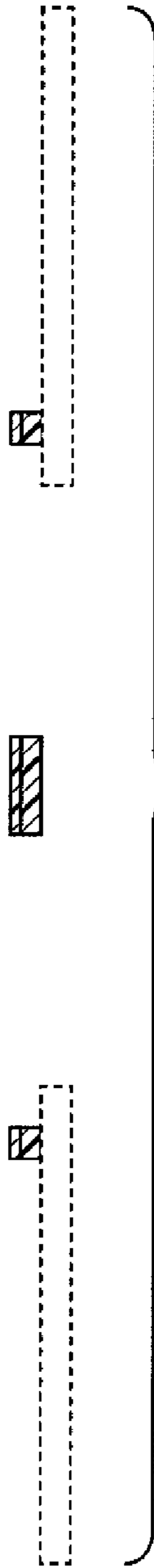


FIG. 9



FIG. 10

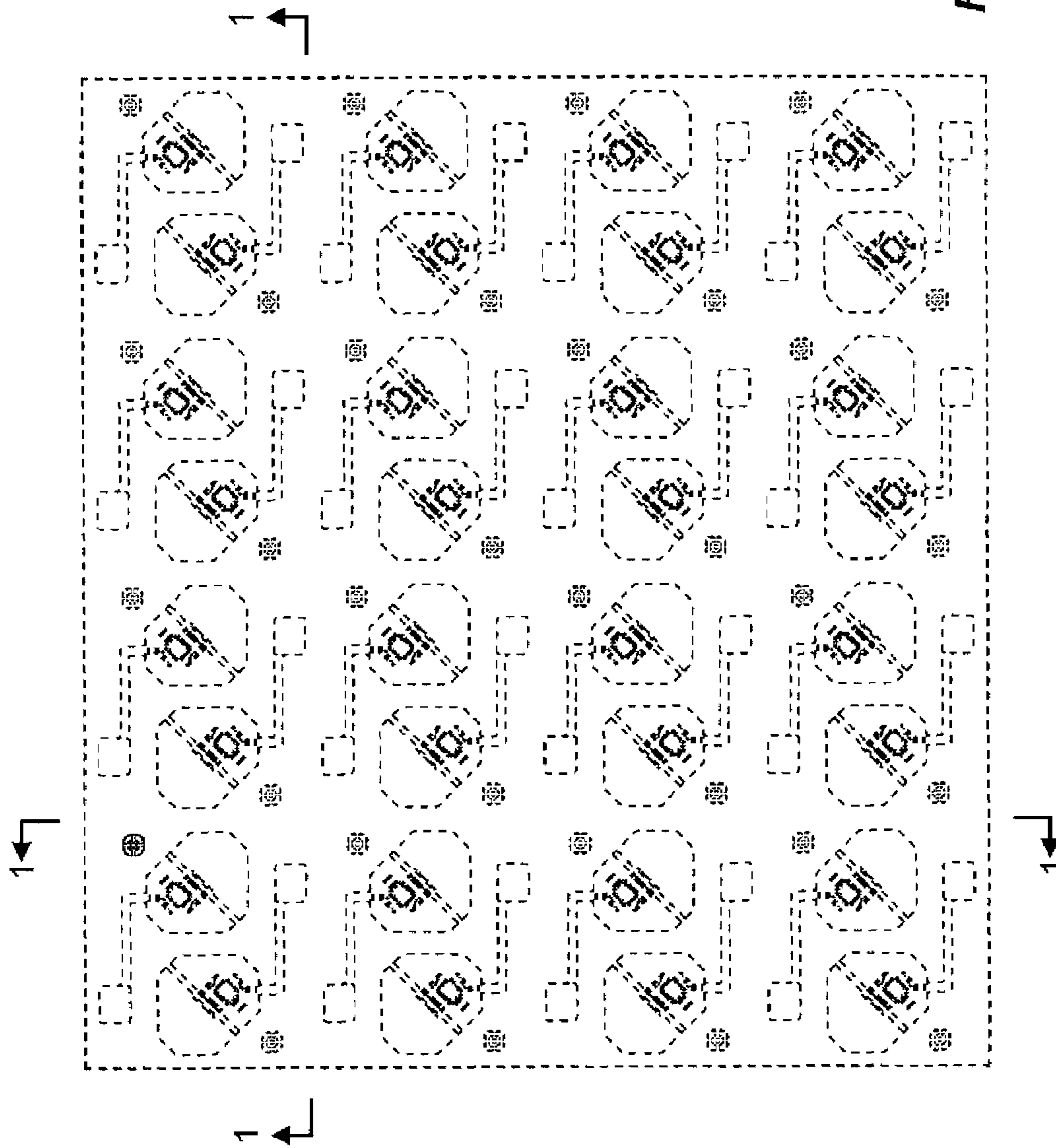


FIG. 11

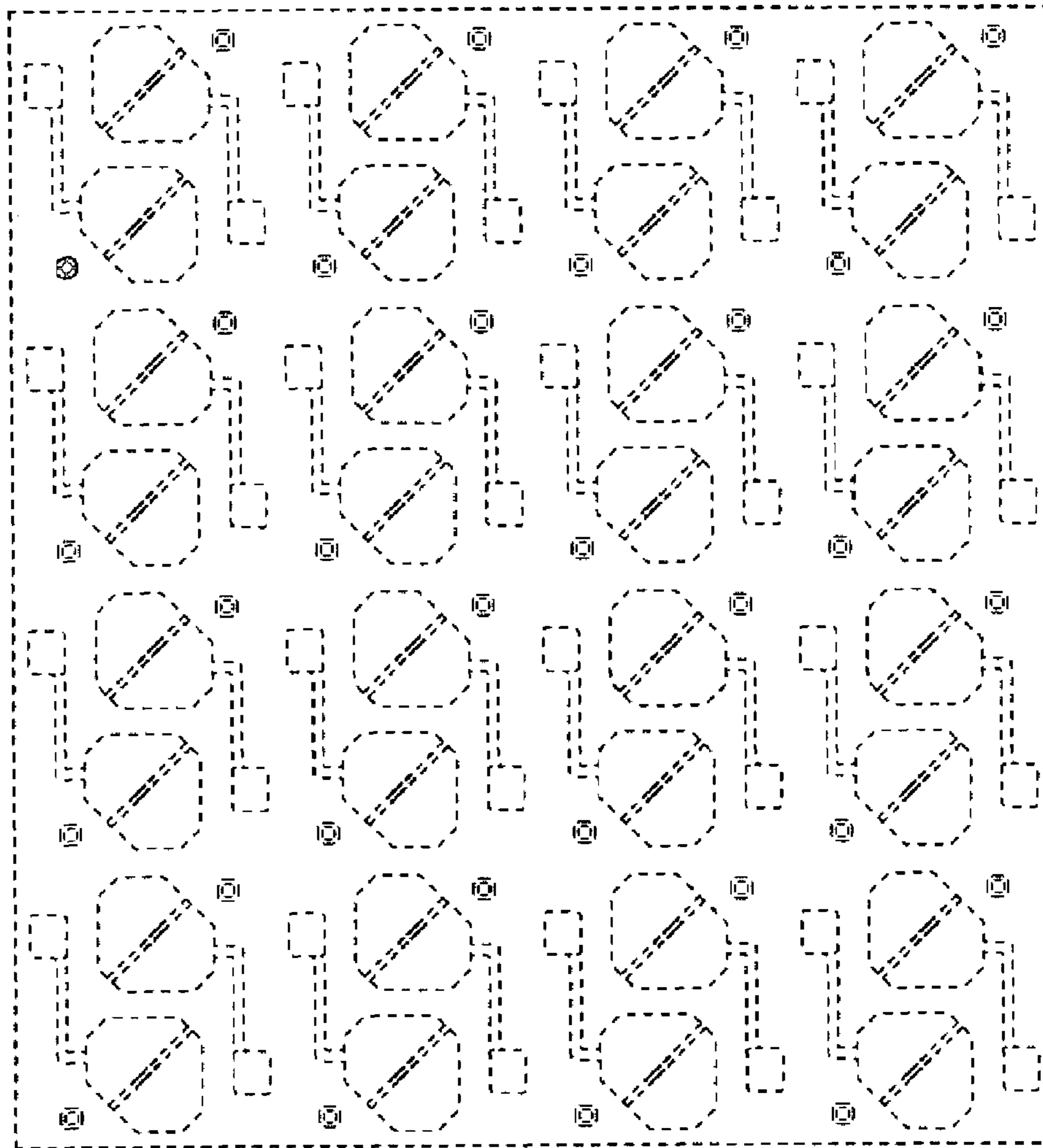


FIG. 12