

US00D580380S

(12) **United States Design Patent**
Tokuda

(10) **Patent No.:** **US D580,380 S**

(45) **Date of Patent:** **** Nov. 11, 2008**

(54) **LIGHT EMITTING DIODE**

(75) Inventor: **Keisuke Tokuda**, Tokushima (JP)

(73) Assignee: **Nichia Corporation**, Anan-shi (JP)

(**) Term: **14 Years**

(21) Appl. No.: **29/317,689**

(22) Filed: **May 5, 2008**

Related U.S. Application Data

(62) Division of application No. 29/271,695, filed on Jan. 25, 2007, now Pat. No. Des. 572,209.

(30) **Foreign Application Priority Data**

Aug. 4, 2006	(JP)	2006-020773
Aug. 4, 2006	(JP)	2006-020774
Aug. 4, 2006	(JP)	2006-020775
Aug. 4, 2006	(JP)	2006-020776
Aug. 4, 2006	(JP)	2006-020777
Aug. 4, 2006	(JP)	2006-020778

(51) **LOC (8) Cl.** **13-03**

(52) **U.S. Cl.** **D13/180**

(58) **Field of Classification Search** D13/180;
D26/2; 257/79, 80, 81, 88, 89, 95, 98, 99,
257/100; 313/483, 498, 500; 362/555, 800
See application file for complete search history.

(56) **References Cited**

U.S. PATENT DOCUMENTS

D432,095 S	10/2000	Seeger et al.
6,386,733 B1	5/2002	Ohkohdo et al.
6,495,860 B1	12/2002	Yu
6,501,103 B1	12/2002	Jory et al.
D477,580 S	7/2003	Kamada
D488,137 S	4/2004	Kamada

D572,209 S *	7/2008	Tokuda	D13/180
2005/0067624 A1	3/2005	Steigerwald et al.		
2005/0173723 A1	8/2005	Weng et al.		
2005/0269589 A1	12/2005	Wu		

OTHER PUBLICATIONS

High Luminous Flux LED, Product Guide (NSPBR70AS / NSPGR70AS); Sep. 2005; p. 1 (total 3 pages); Catalog No. 050907; Nichia Corporation; Japan.

* cited by examiner

Primary Examiner—Selina Sikder

(74) *Attorney, Agent, or Firm*—Global IP Counselors, LLP

(57) **CLAIM**

The ornamental design for a light emitting diode, as shown and described.

DESCRIPTION

FIG. 1 is a front top side perspective view of a light emitting diode in accordance with an embodiment of my new design;

FIG. 2 is a front elevational view of the light emitting diode in accordance with the embodiment of my new design;

FIG. 3 is a rear elevational view of the light emitting diode in accordance with the embodiment of my new design;

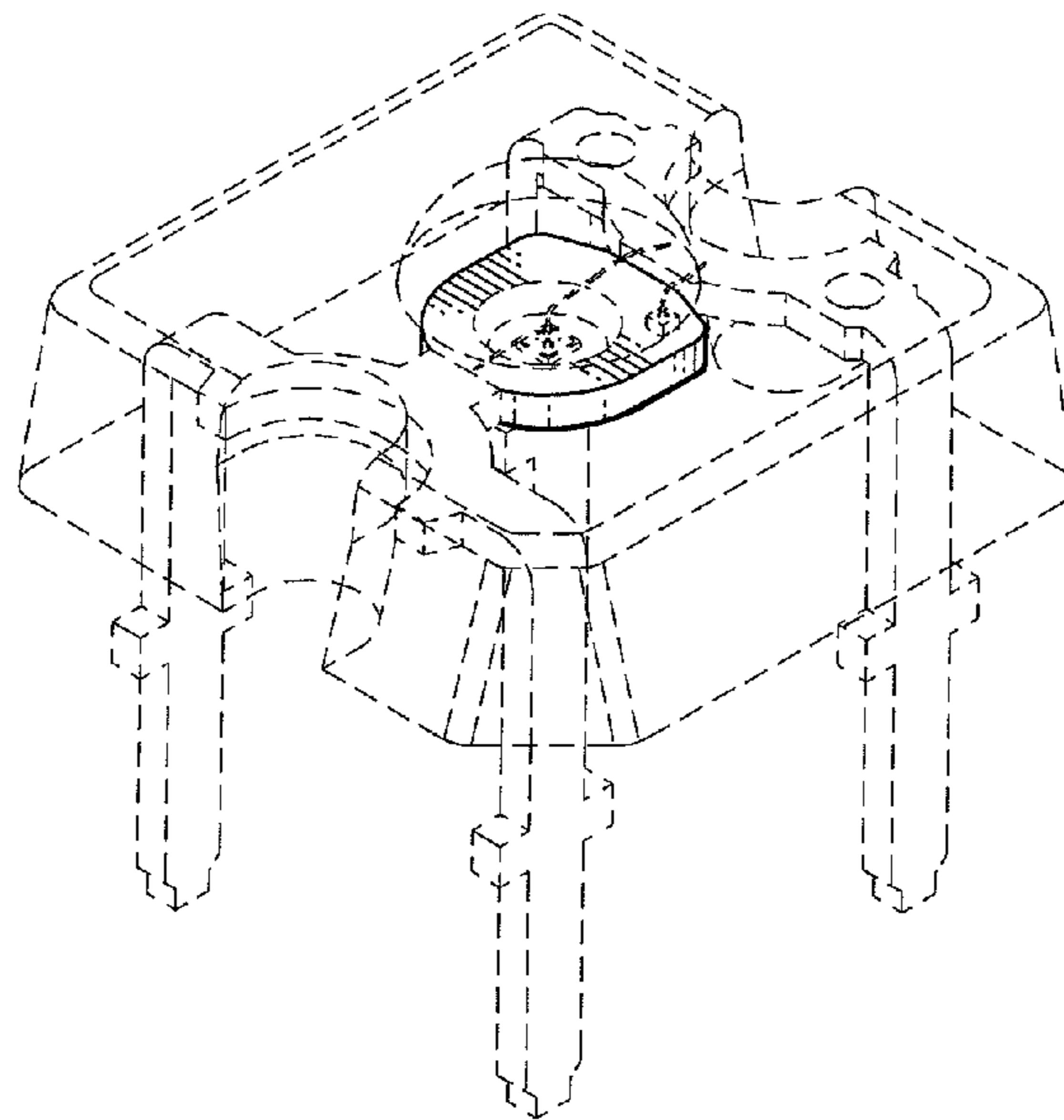
FIG. 4 is a top plan view of the light emitting diode in accordance with the embodiment of my new design;

FIG. 5 is a bottom plan view of the light emitting diode in accordance with the embodiment of my new design; and,

FIG. 6 is a vertical center cross sectional view of the light emitting diode in accordance with the embodiment of my new design taken along line 6—6 in FIG. 4.

The broken line showing of environment (the remaining structure of the light emitting diode) in the Figures is for illustrative purposes only and forms no part of the claimed design.

1 Claim, 4 Drawing Sheets



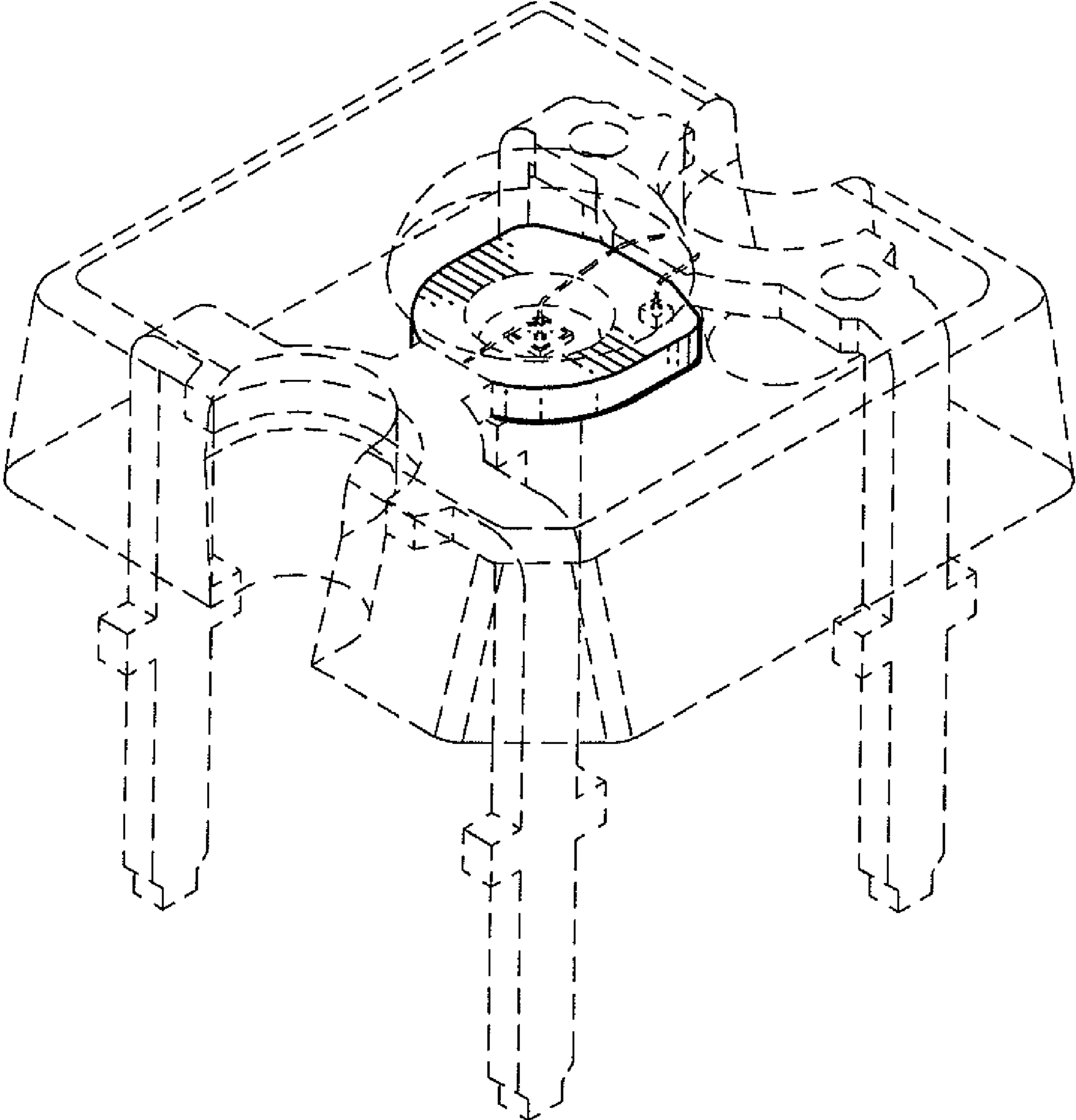


FIG. 1

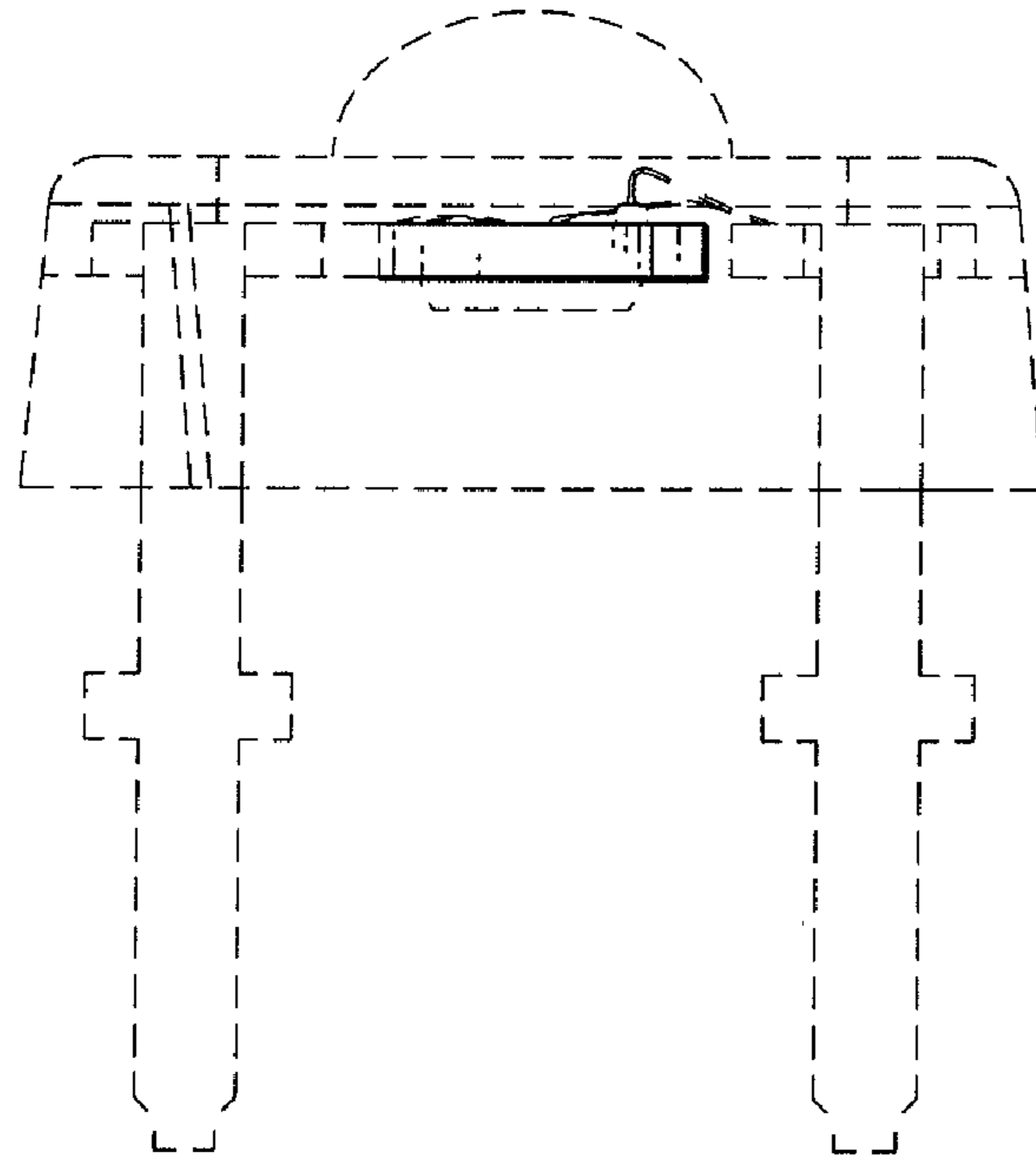


FIG. 2

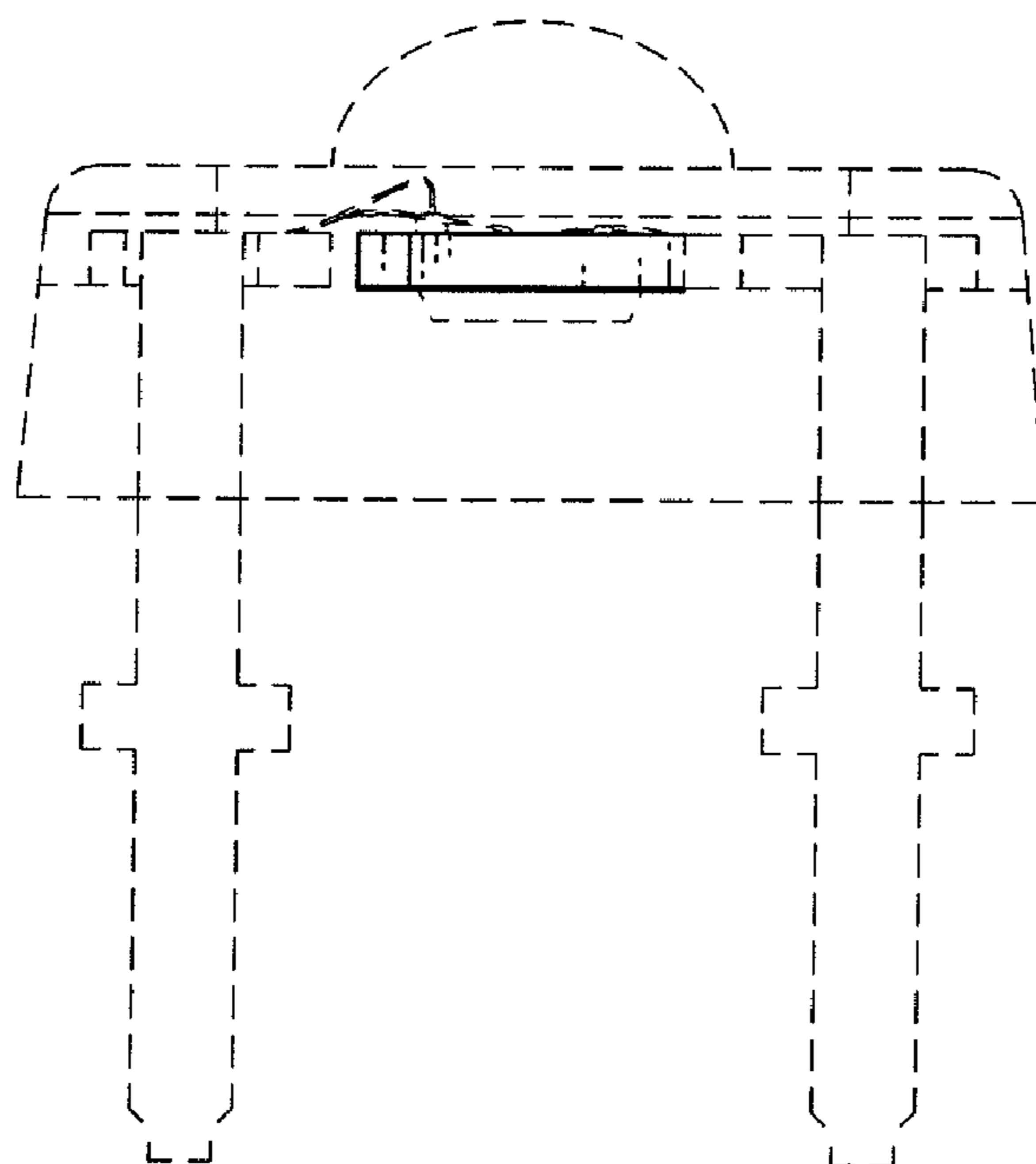


FIG. 3

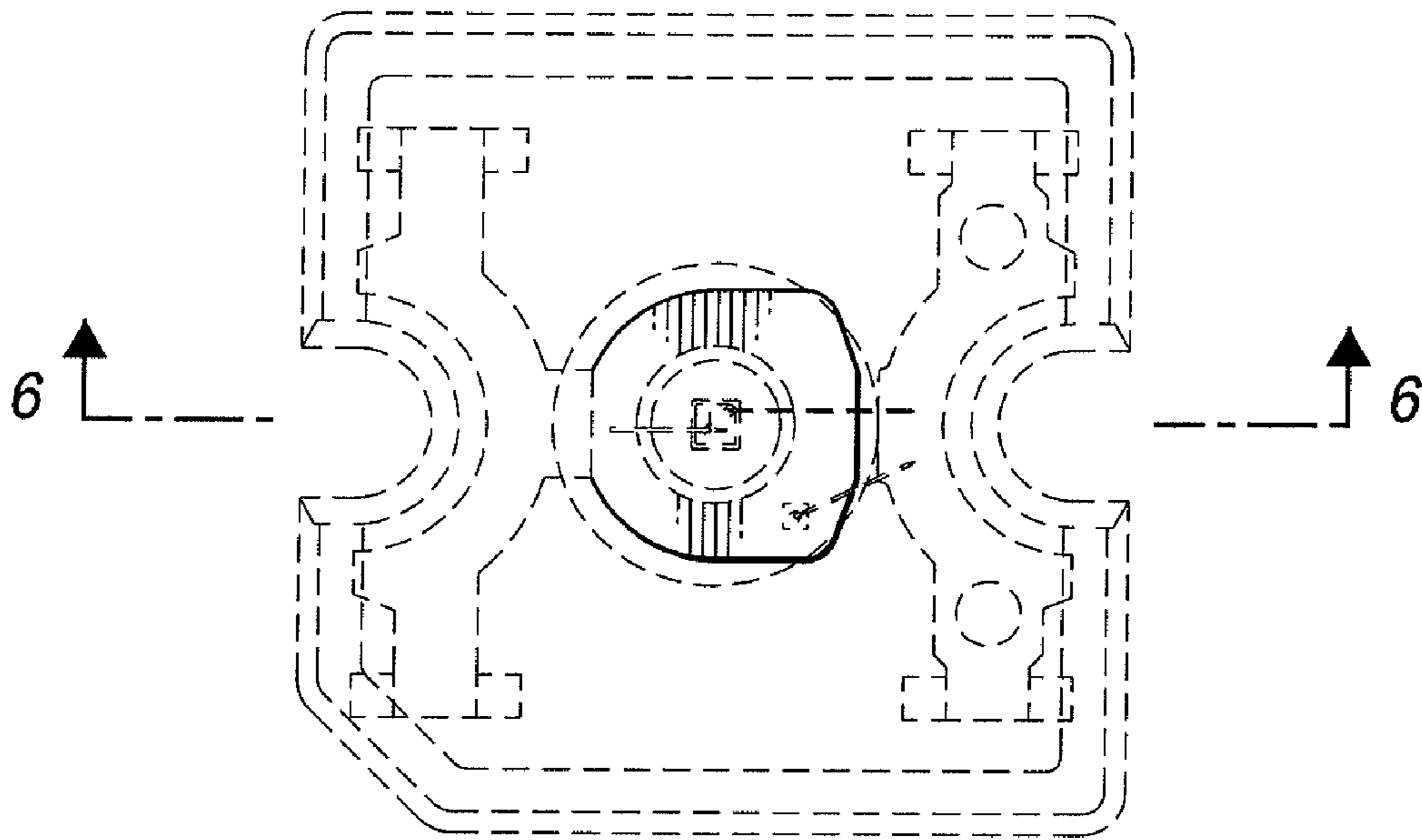


FIG. 4

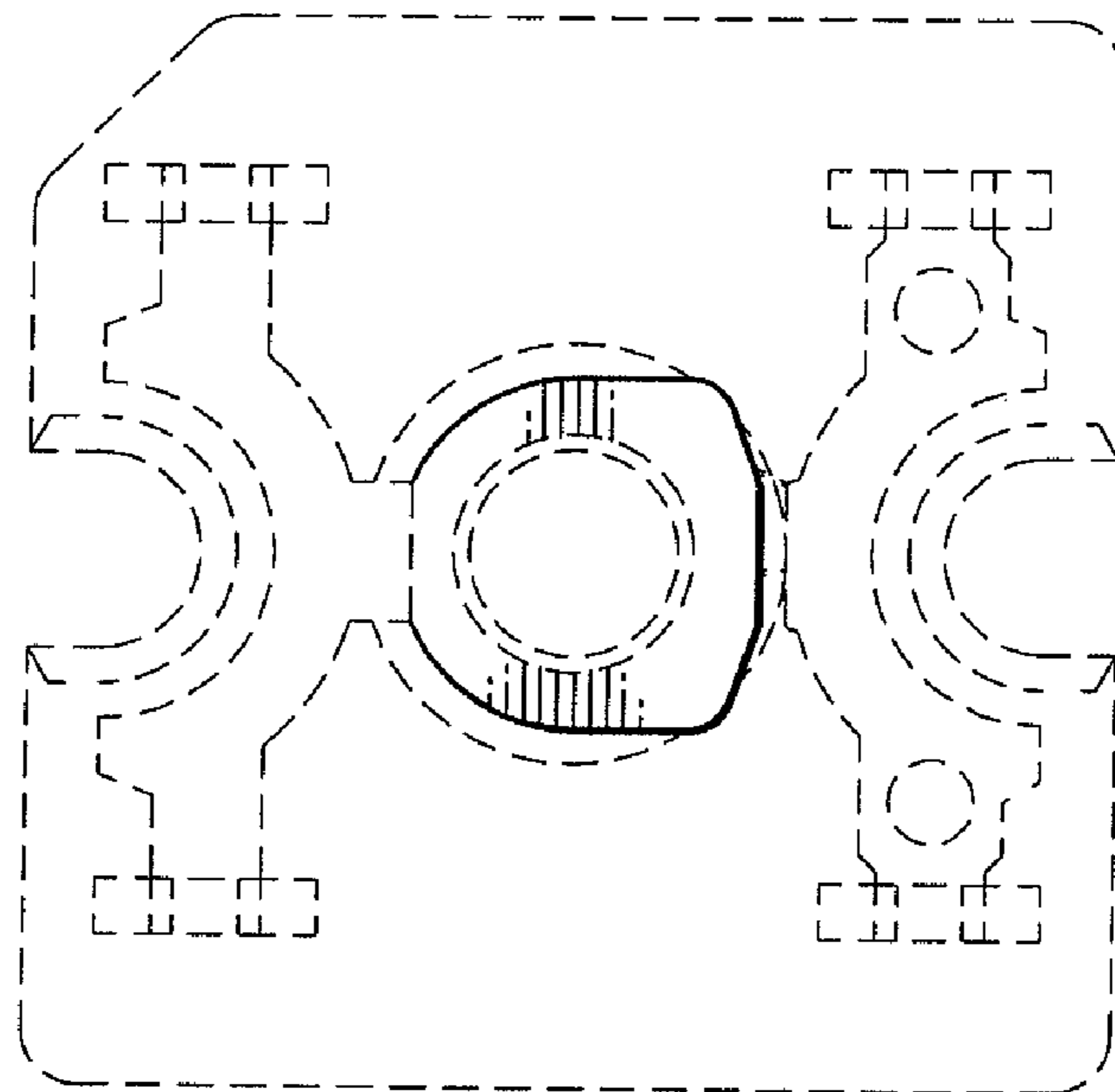


FIG. 5

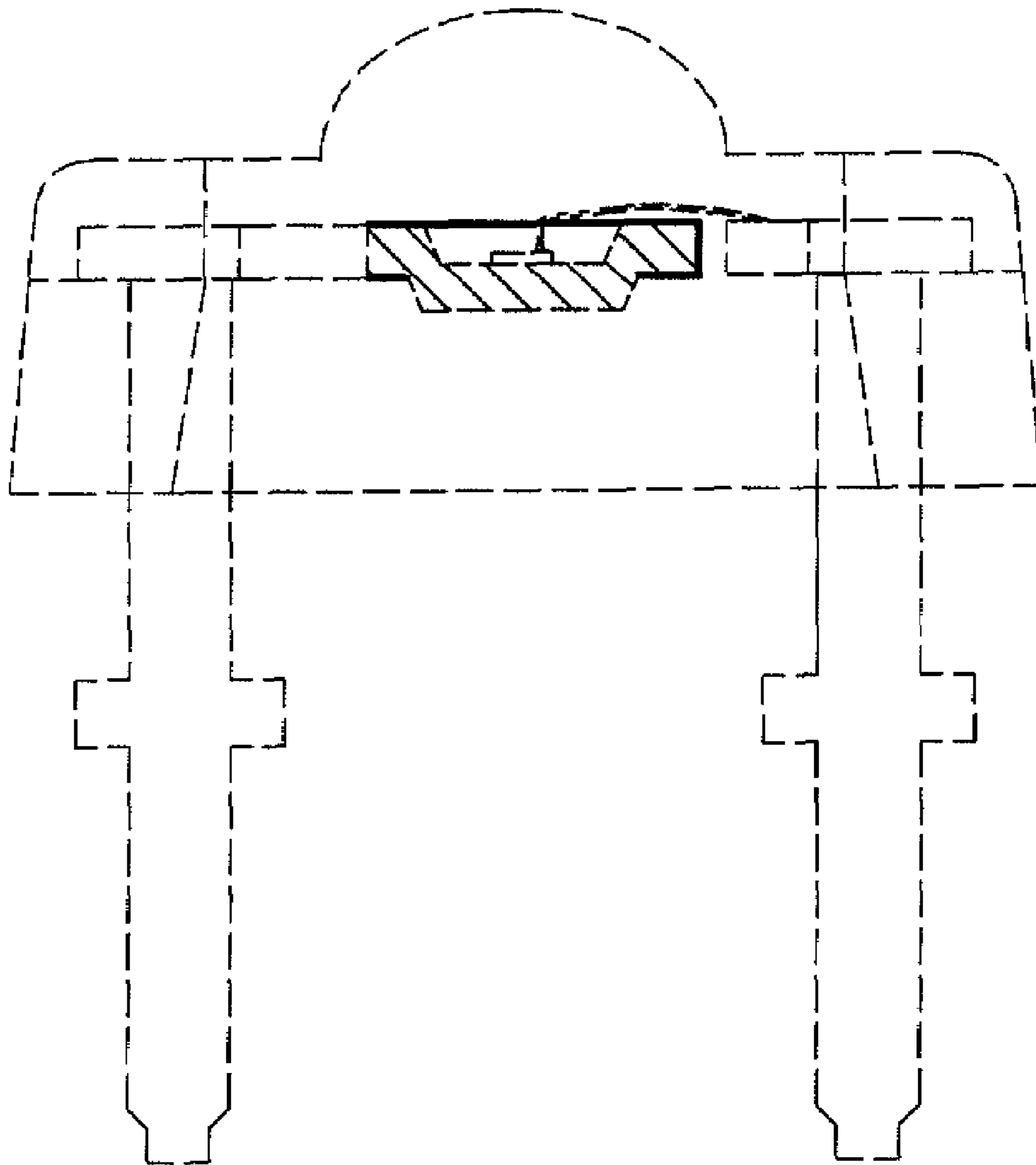


FIG. 6