



US00D580378S

(12) **United States Design Patent**
Kim et al.

(10) **Patent No.:** **US D580,378 S**
(45) **Date of Patent:** **** Nov. 11, 2008**

(54) **SIDE VIEW TYPE LIGHT EMITTING DIODE**

(75) Inventors: **Dong Sel Kim**, Suwon-si (KR); **Chi Ok In**, Dangjin-gun (KR); **Jong Won Park**, Jeonju-si (KR)

(73) Assignee: **Anti-electronics Co., Ltd.** (KR)

(**) Term: **14 Years**

(21) Appl. No.: **29/284,227**

(22) Filed: **Sep. 4, 2007**

(30) **Foreign Application Priority Data**

Apr. 12, 2007 (KR) 30-2007-0015878

(51) **LOC (8) Cl.** **13-03**

(52) **U.S. Cl.** **D13/180**

(58) **Field of Classification Search** D13/180;
D26/2; 257/79, 80, 81, 88, 89, 95, 98, 99,
257/100; 313/483, 498, 500; 362/555, 800
See application file for complete search history.

(56) **References Cited**

U.S. PATENT DOCUMENTS

D476,960 S * 7/2003 Fukasawa et al. D13/182
D548,704 S * 8/2007 Wu et al. D13/180
7,279,723 B2 * 10/2007 Matsumura et al. 257/100

2002/0149314 A1 * 10/2002 Takahashi et al. 313/500
2006/0284207 A1 * 12/2006 Park et al. 257/99
2007/0029915 A1 * 2/2007 Kim et al. 313/483
2007/0063213 A1 * 3/2007 Hsieh et al. 257/99
2007/0114555 A1 * 5/2007 Takemoto et al. 257/99

* cited by examiner

Primary Examiner—Selina Sikder

(74) *Attorney, Agent, or Firm*—Cantor Colburn LLP

(57) **CLAIM**

We claim, the ornamental design for a side view type light emitting diode, as shown and described.

DESCRIPTION

FIG. 1 is a perspective view of a side view type light emitting diode, showing our new design;

FIG. 2 is a front elevational view thereof;

FIG. 3 is a rear elevational view thereof wherein the broken lines form no part of the claimed design;

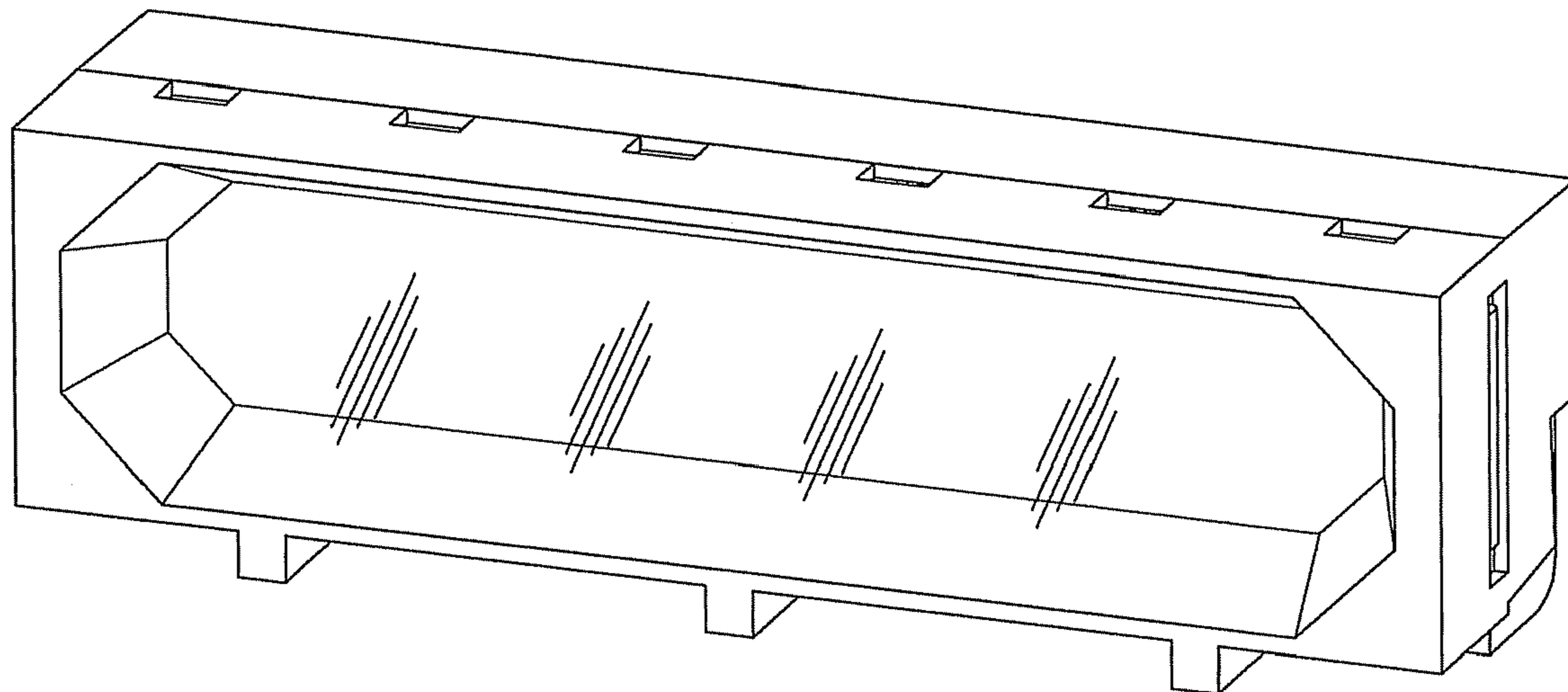
FIG. 4 is a left side elevational view thereof;

FIG. 5 is a right side elevational view thereof;

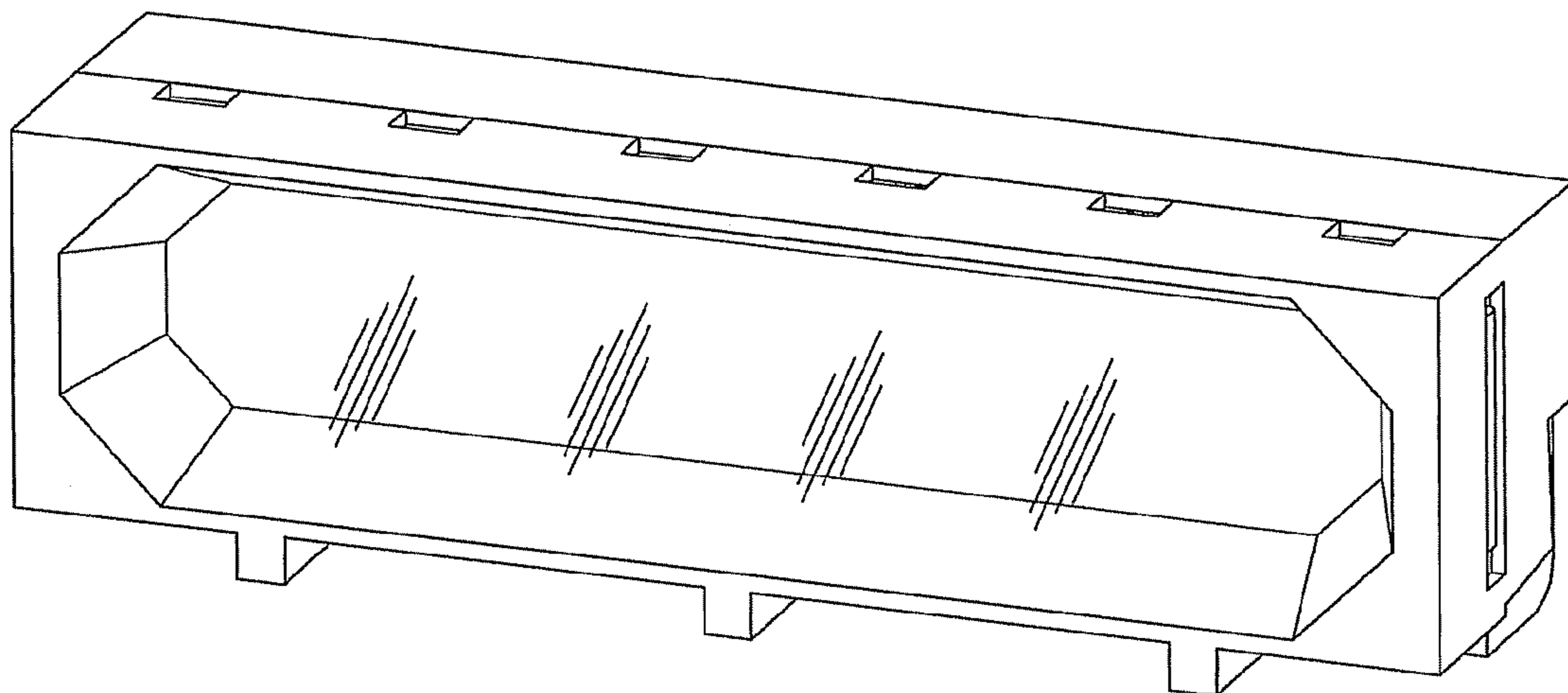
FIG. 6 is a top plan view thereof; and,

FIG. 7 is a bottom plan view thereof.

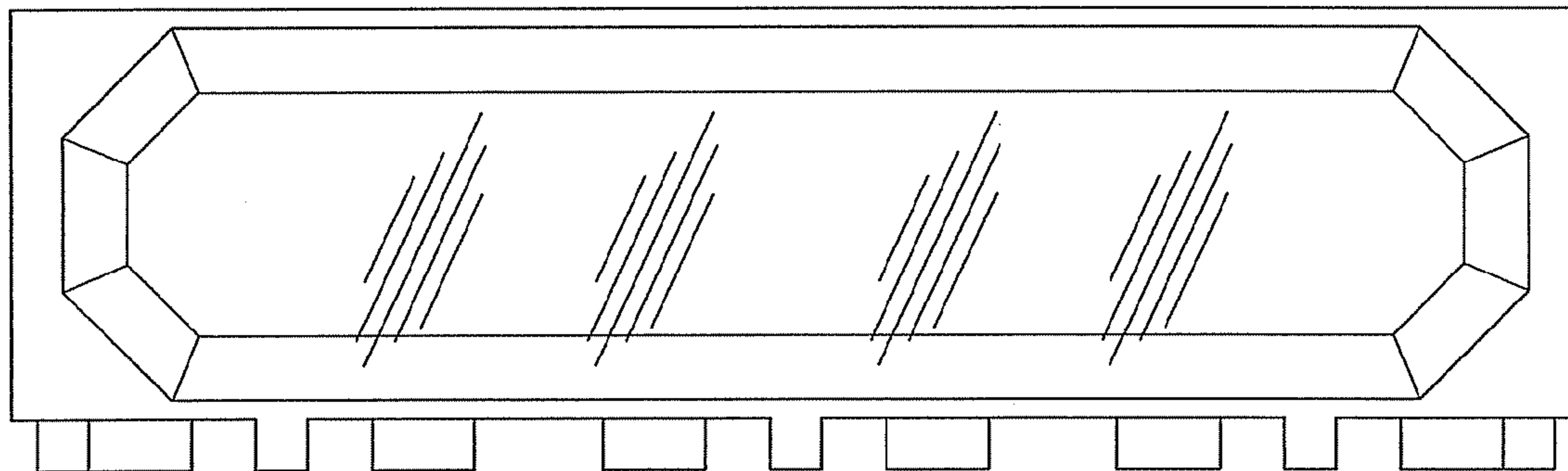
1 Claim, 7 Drawing Sheets



【FIGURE 1】



【FIGURE 2】



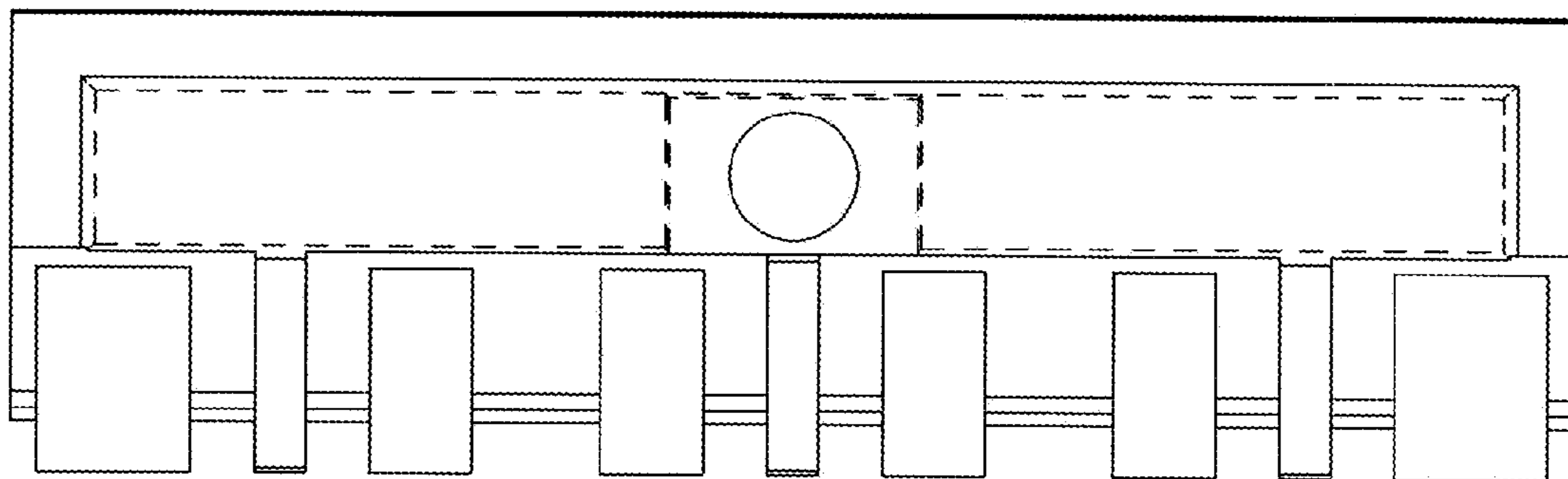
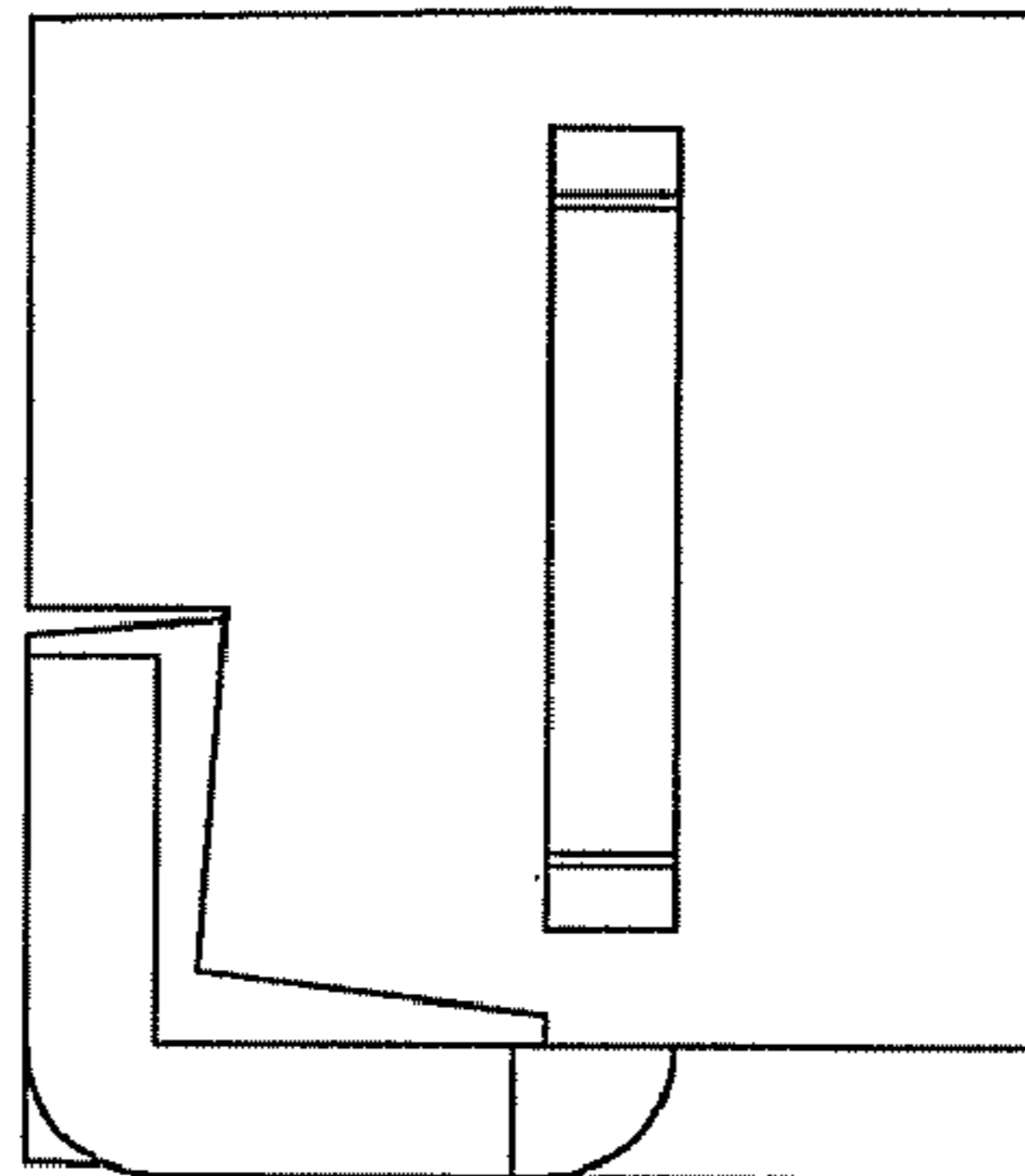
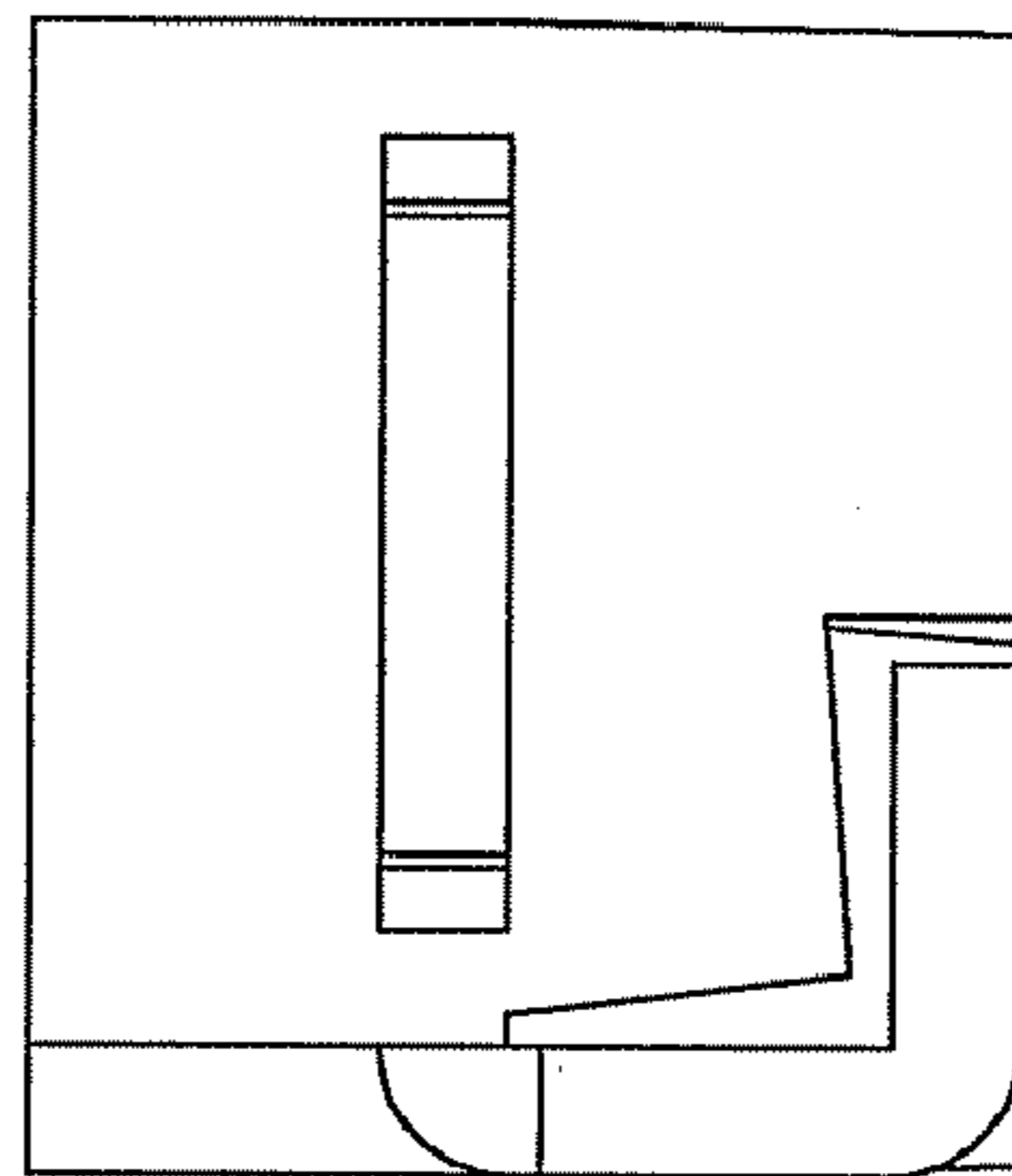


FIG. 3

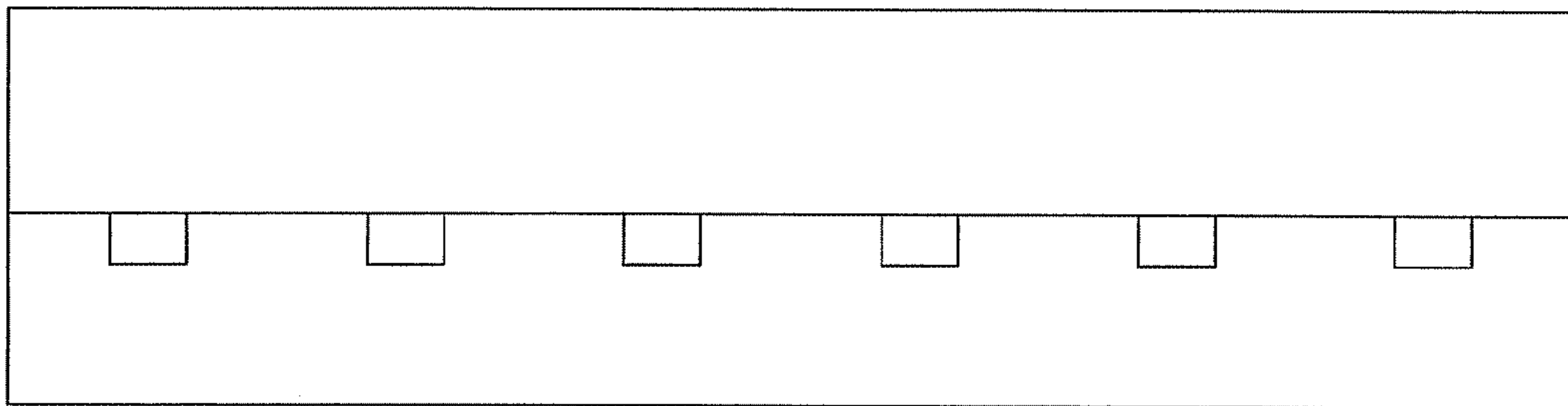
【FIGURE 4】



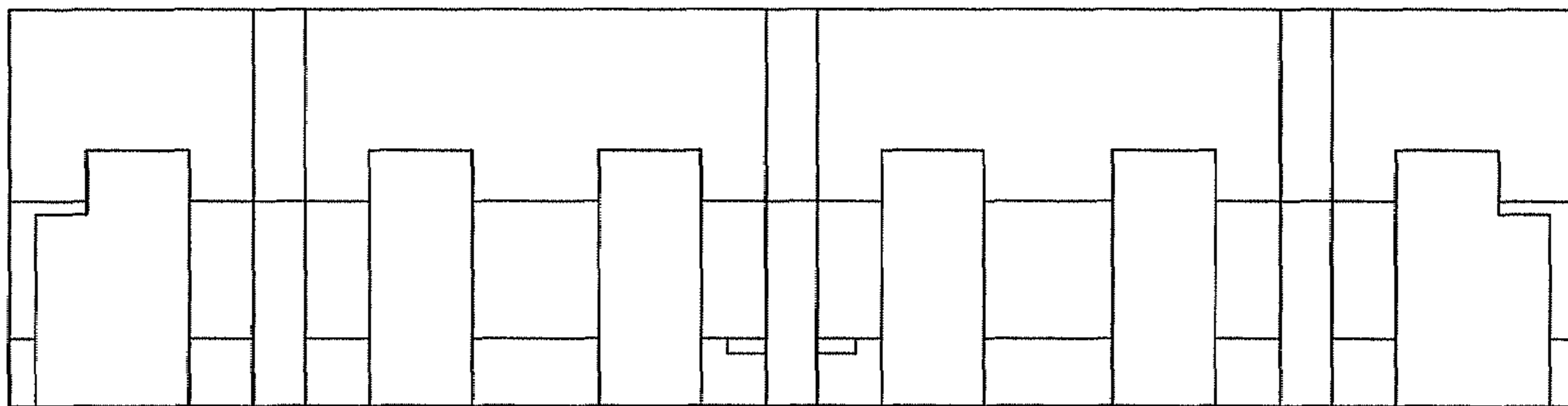
【FIGURE 5】



【FIGURE 6】



【FIGURE 7】



UNITED STATES PATENT AND TRADEMARK OFFICE
CERTIFICATE OF CORRECTION

PATENT NO. : Des. 580,378 S
APPLICATION NO. : 29/284227
DATED : November 11, 2008
INVENTOR(S) : Kim et al.

Page 1 of 1

It is certified that error appears in the above-identified patent and that said Letters Patent is hereby corrected as shown below:

Title Page Item (73), Assignee, delete "Anti-electronics Co., Ltd. (KR)" and insert therefor
-- Alti-electronics Co., Ltd (KR) --.

Signed and Sealed this

Sixth Day of April, 2010

A handwritten signature in black ink that reads "David J. Kappos". The signature is written in a cursive, flowing style.

David J. Kappos
Director of the United States Patent and Trademark Office