



US00D580373S

(12) **United States Design Patent**  
**Stange et al.**

(10) **Patent No.:** **US D580,373 S**

(45) **Date of Patent:** **\*\* Nov. 11, 2008**

(54) **EVAPOTRANSPIRATION MODULE FOR AN IRRIGATION CONTROLLER**

2008/0058964 A1\* 3/2008 Nickerson et al. .... 700/19  
2008/0071426 A1\* 3/2008 Perez et al. .... 700/284

(75) Inventors: **Richard C. Stange**, Oceanside, CA (US); **Christopher M. Shearin**, Murrieta, CA (US); **Donald M. Sheetz, III**, Oceanside, CA (US)

**OTHER PUBLICATIONS**

Flow-Clik Product, 3 sheets of drawings, for sale since prior to Jul. 1, 2005.

\* cited by examiner

(73) Assignee: **Hunter Industries, Inc.**, San Marcos, CA (US)

*Primary Examiner*—Daniel D Bui

*Assistant Examiner*—Thomas J Johannes

(\*\*) Term: **14 Years**

(74) *Attorney, Agent, or Firm*—Michael H. Jester

(21) Appl. No.: **29/247,933**

(57) **CLAIM**

(22) Filed: **Jul. 20, 2006**

The ornamental design for an evapotranspiration module for an irrigation controller, as shown and described.

(51) **LOC (8) Cl.** ..... **13-03**

**DESCRIPTION**

(52) **U.S. Cl.** ..... **D13/162**

(58) **Field of Classification Search** ..... D13/162,  
D13/164, 184; 239/63, 69, 70; 700/16, 17,  
700/19, 284

FIG. 1 is an isometric view of an evapotranspiration module for an irrigation controller, showing our new design;

FIG. 2 is a front elevation view thereof;

FIG. 3 is a right hand side elevation view thereof;

FIG. 4 is a left hand side elevation view thereof;

FIG. 5 is a lower side elevation view thereof;

FIG. 6 is an upper side elevation view thereof;

FIG. 7 is a bottom plan view thereof;

FIG. 8 is a top plan view thereof with its front door removed for clarity, showing its control panel;

FIG. 9 is a right hand side elevation view thereof;

FIG. 10 is a left hand side elevation view thereof; and,

FIG. 11 is a front elevation view thereof.

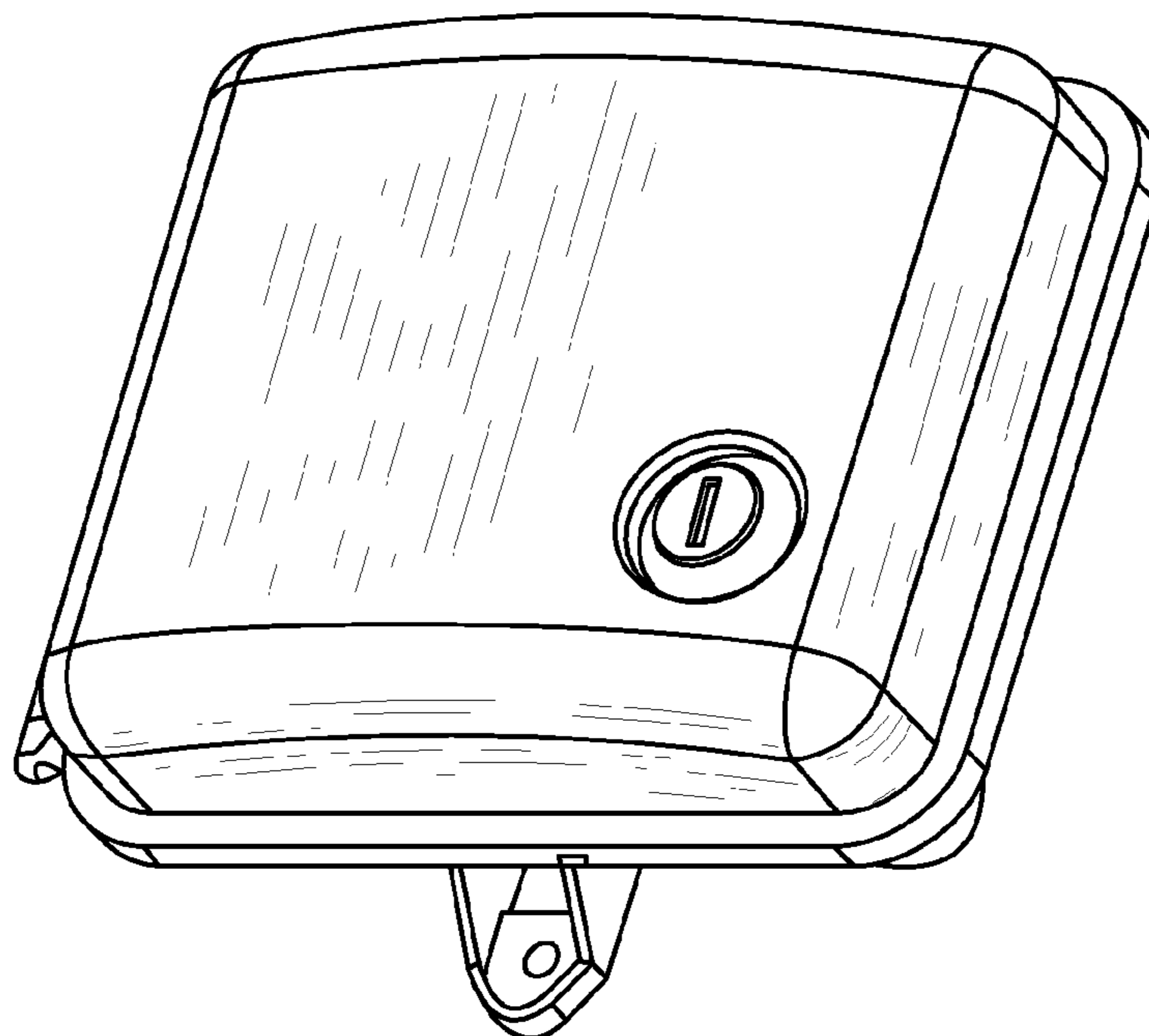
See application file for complete search history.

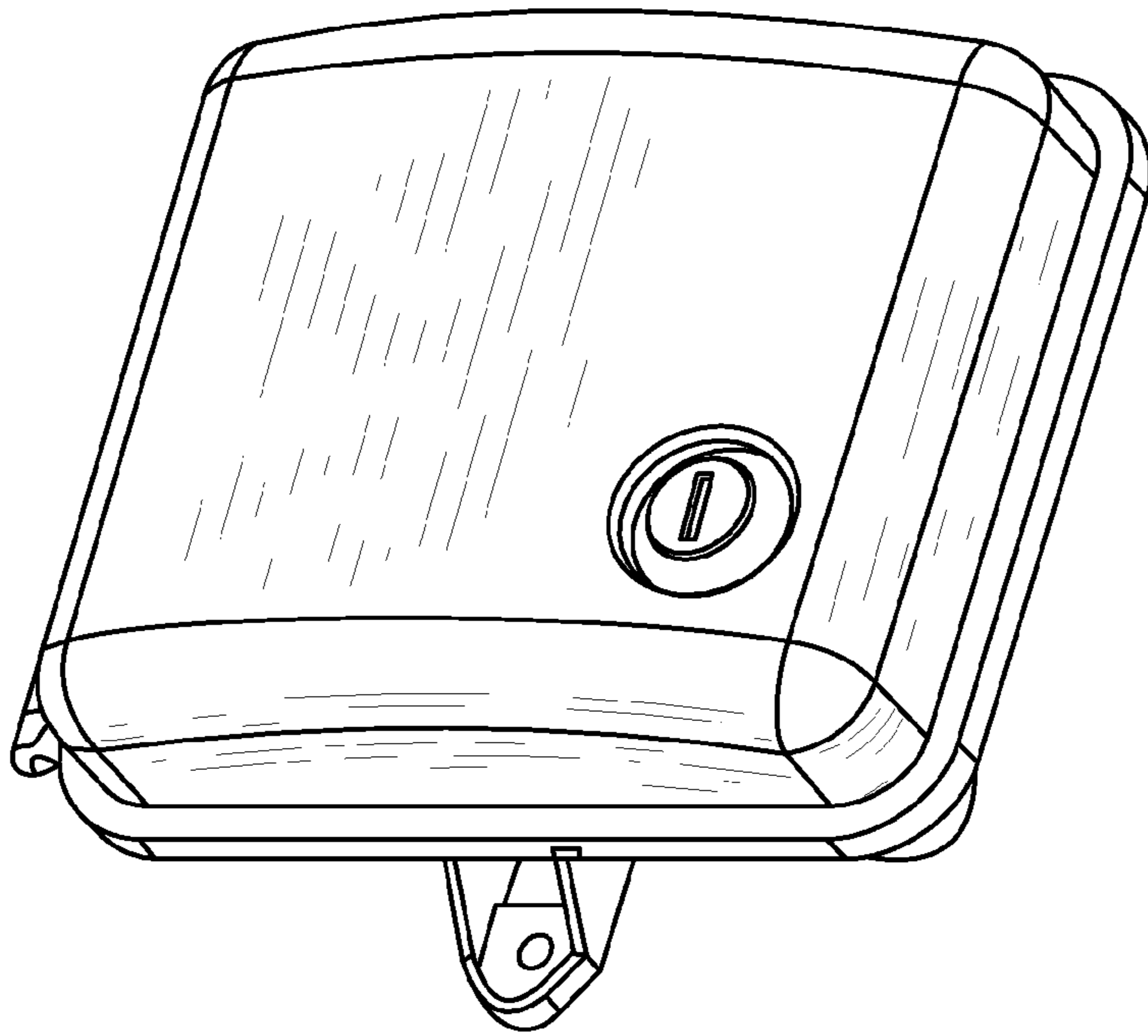
(56) **References Cited**

**U.S. PATENT DOCUMENTS**

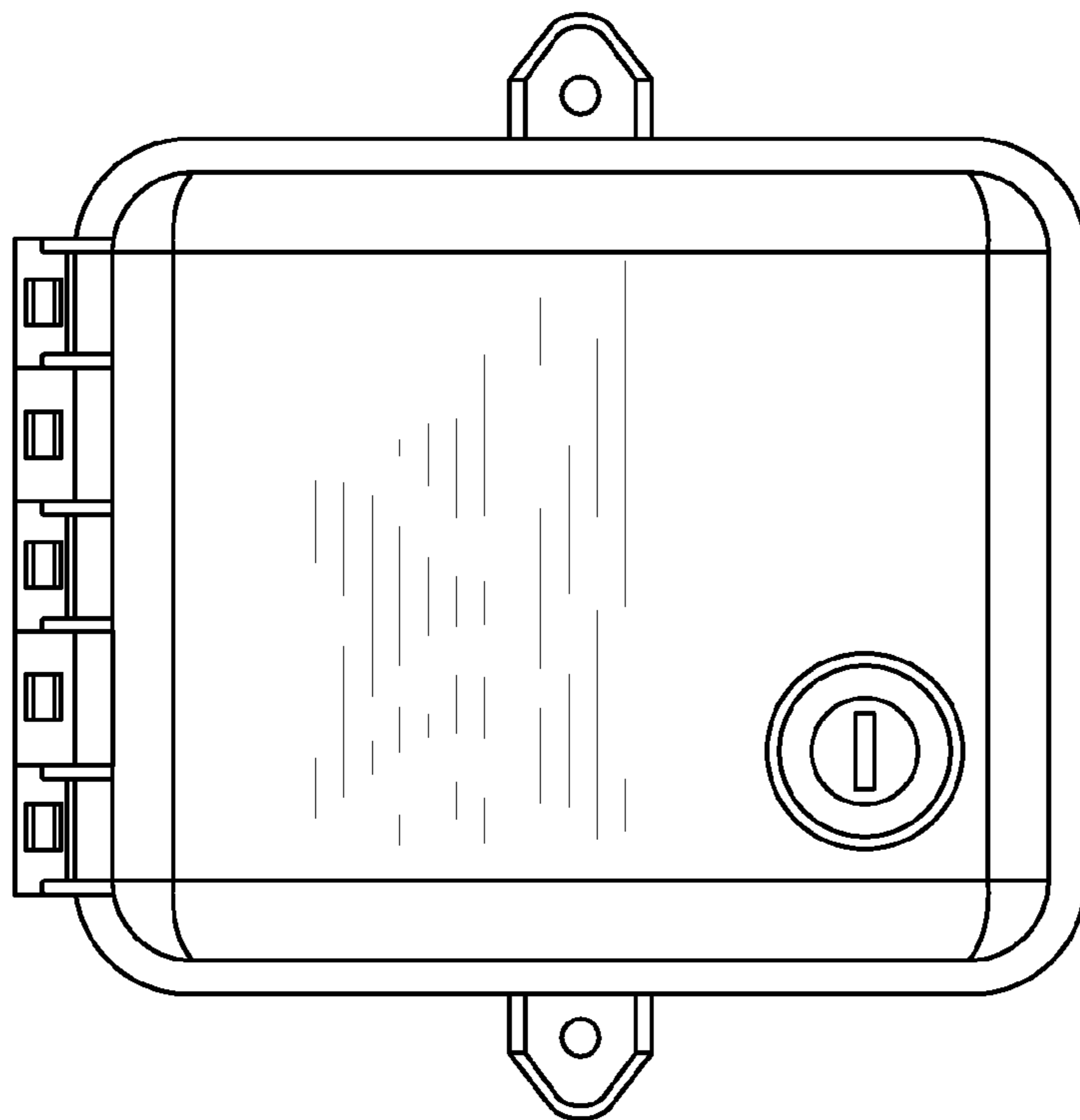
D305,531	S	*	1/1990	Suzuki et al.	.....	D13/126
4,937,732	A	*	6/1990	Brundisini	.....	700/16
5,262,936	A	*	11/1993	Faris et al.	.....	700/11
5,479,338	A	*	12/1995	Erickson et al.	.....	700/16
D457,820	S	*	5/2002	Amborn et al.	.....	D10/49
D484,465	S	*	12/2003	Ventress et al.	.....	D13/162
D492,264	S	*	6/2004	Perez et al.	.....	D13/162
D546,772	S	*	7/2007	Venegas et al.	.....	D13/162
D550,167	S	*	9/2007	Popa	.....	D13/164
2006/0030971	A1	*	2/2006	Nelson et al.	.....	700/284
2007/0251112	A1	*	11/2007	San Jose et al.	.....	33/566

**1 Claim, 6 Drawing Sheets**

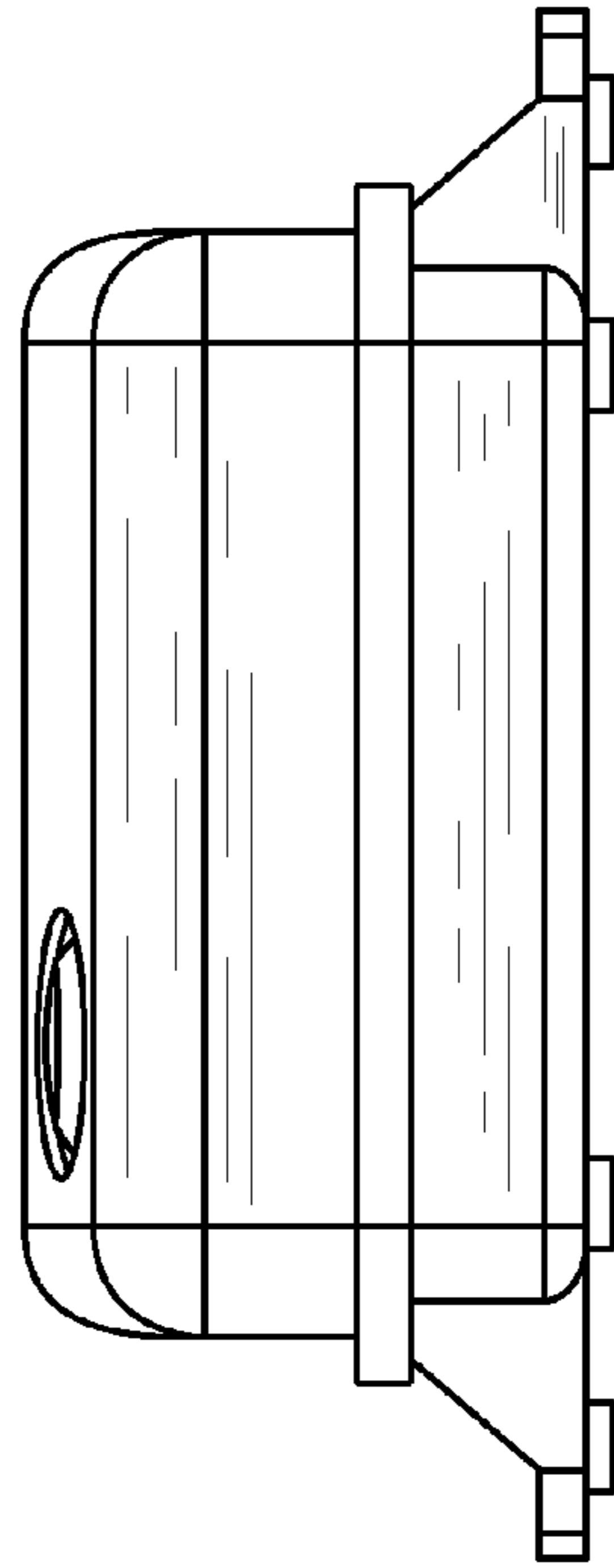




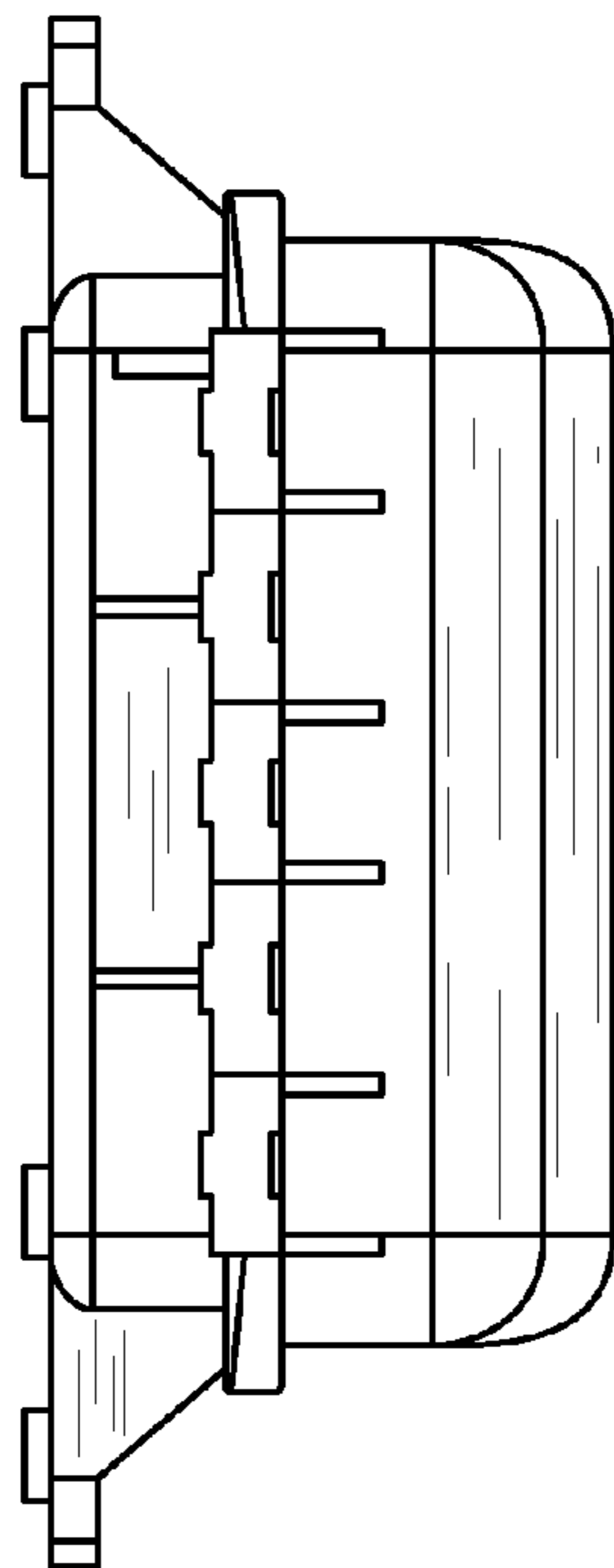
**FIG. 1**



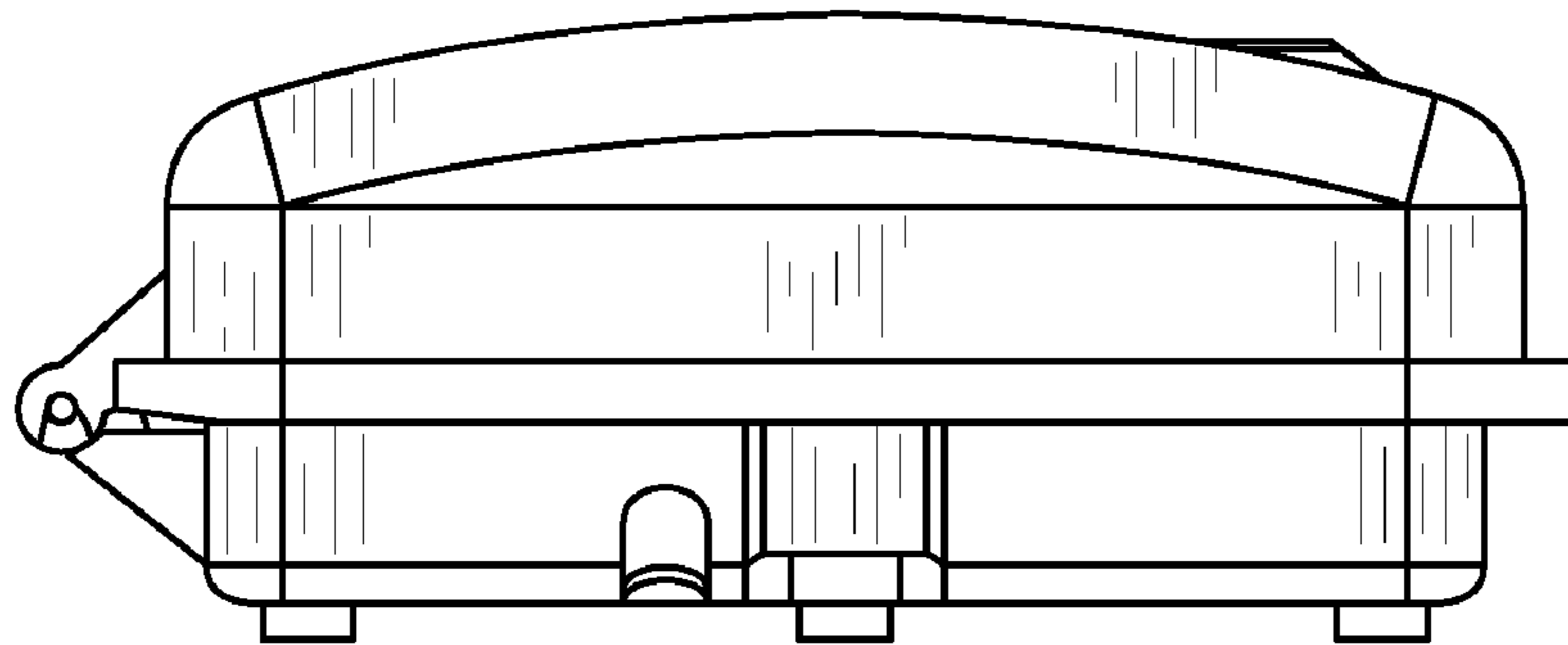
**FIG. 2**



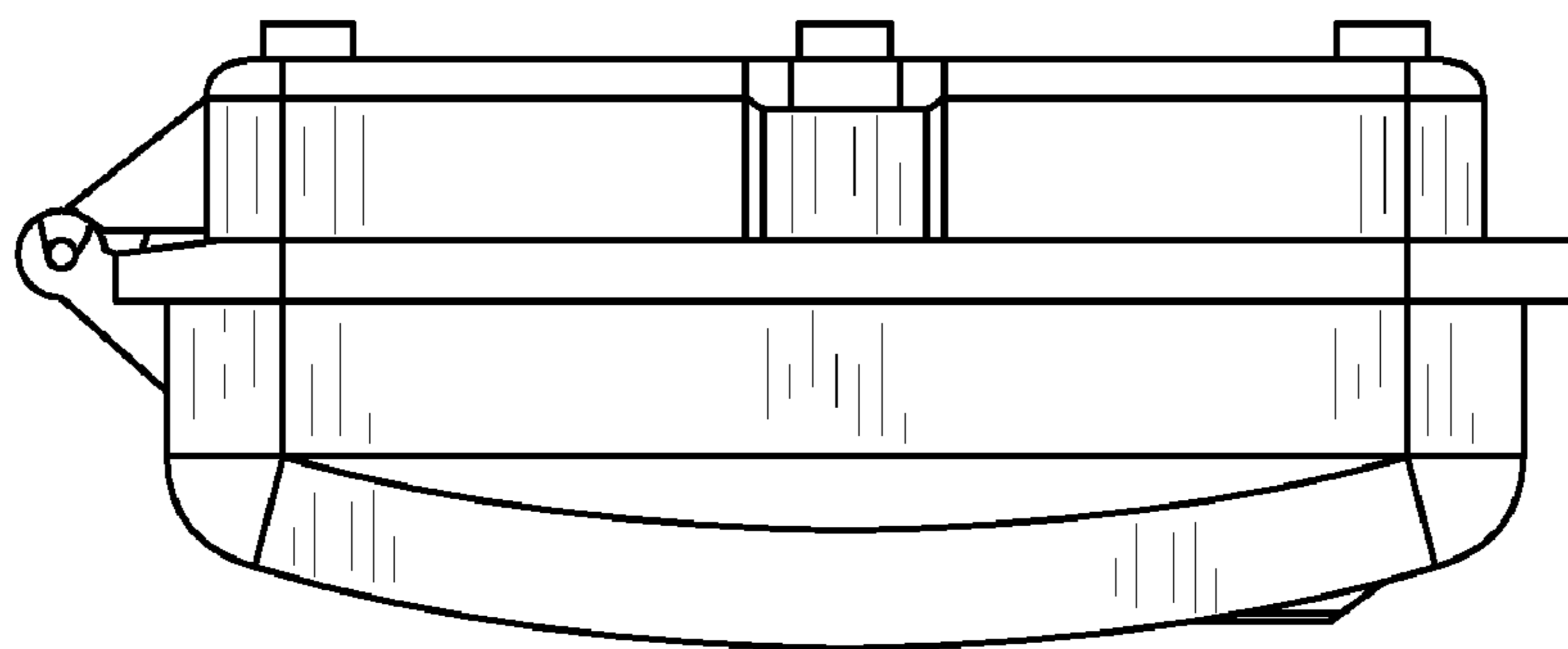
**FIG. 3**



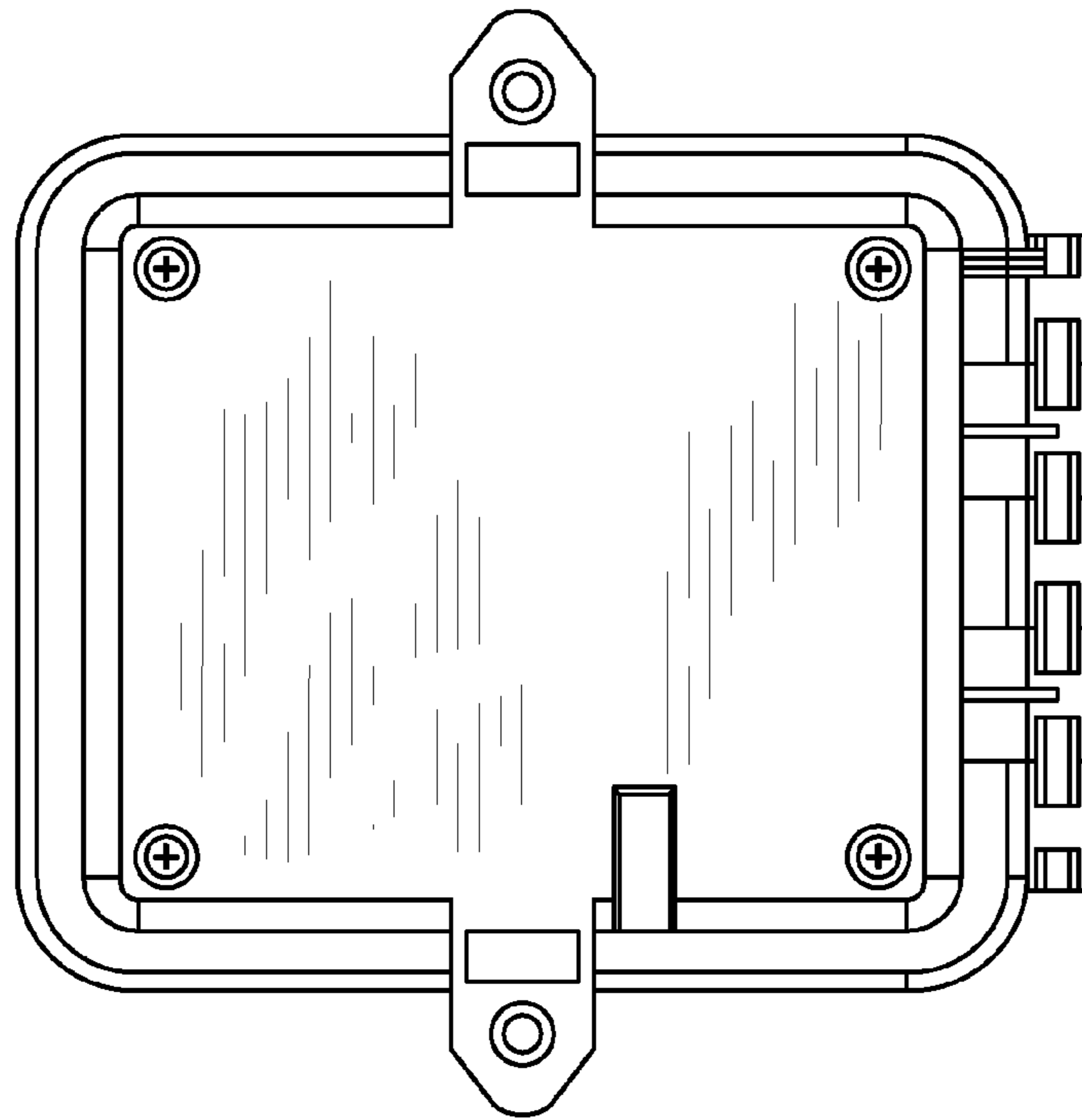
**FIG. 4**



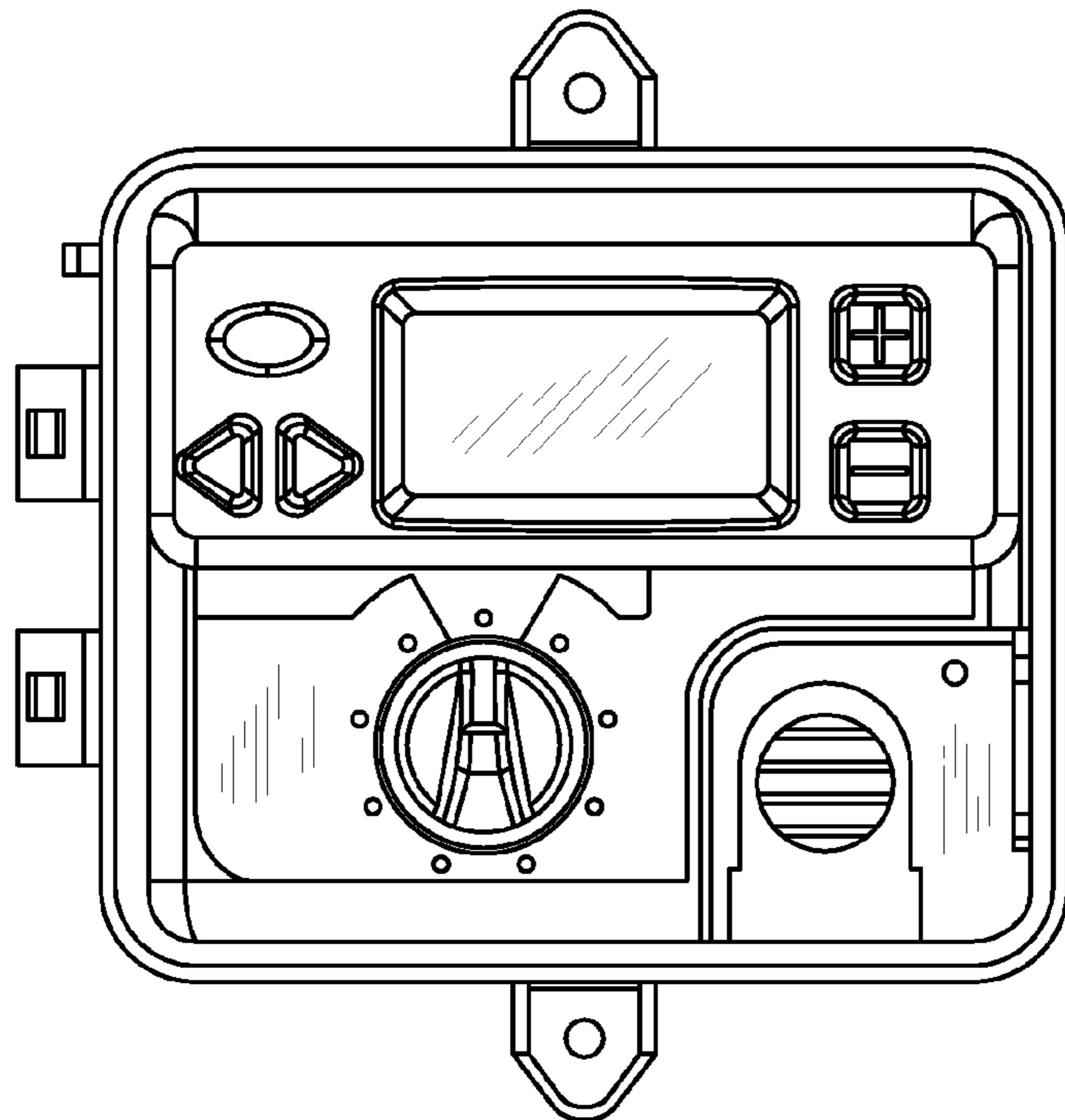
**FIG. 5**



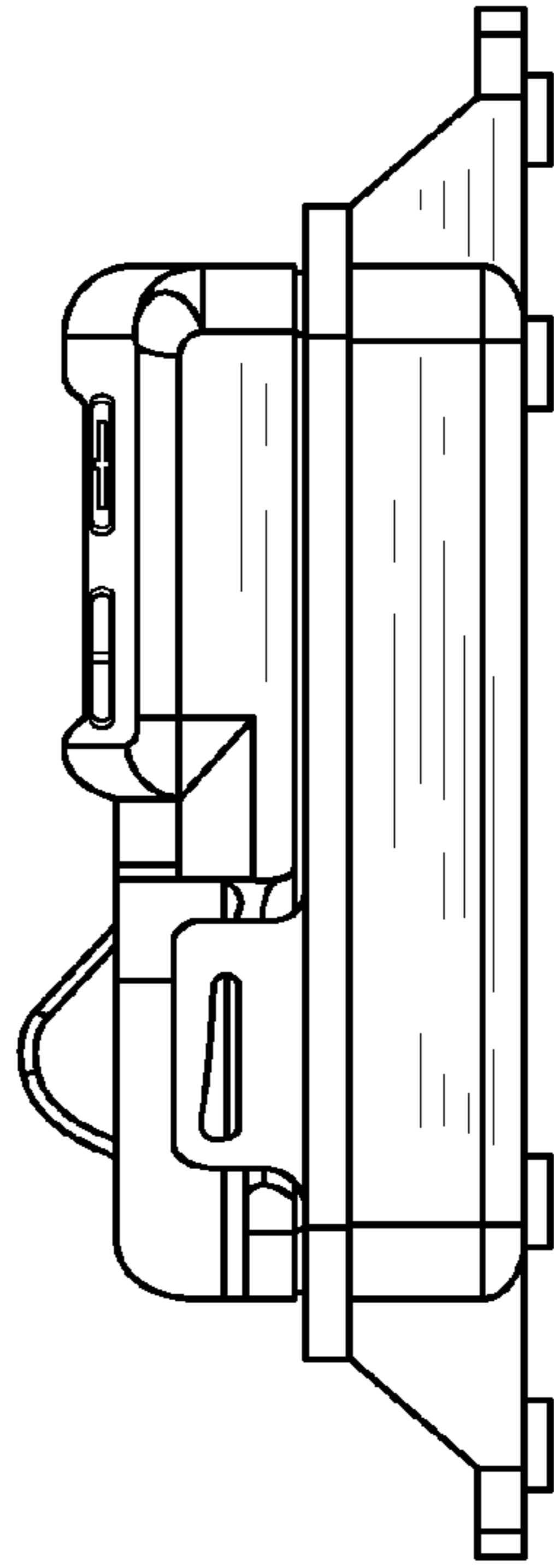
**FIG. 6**



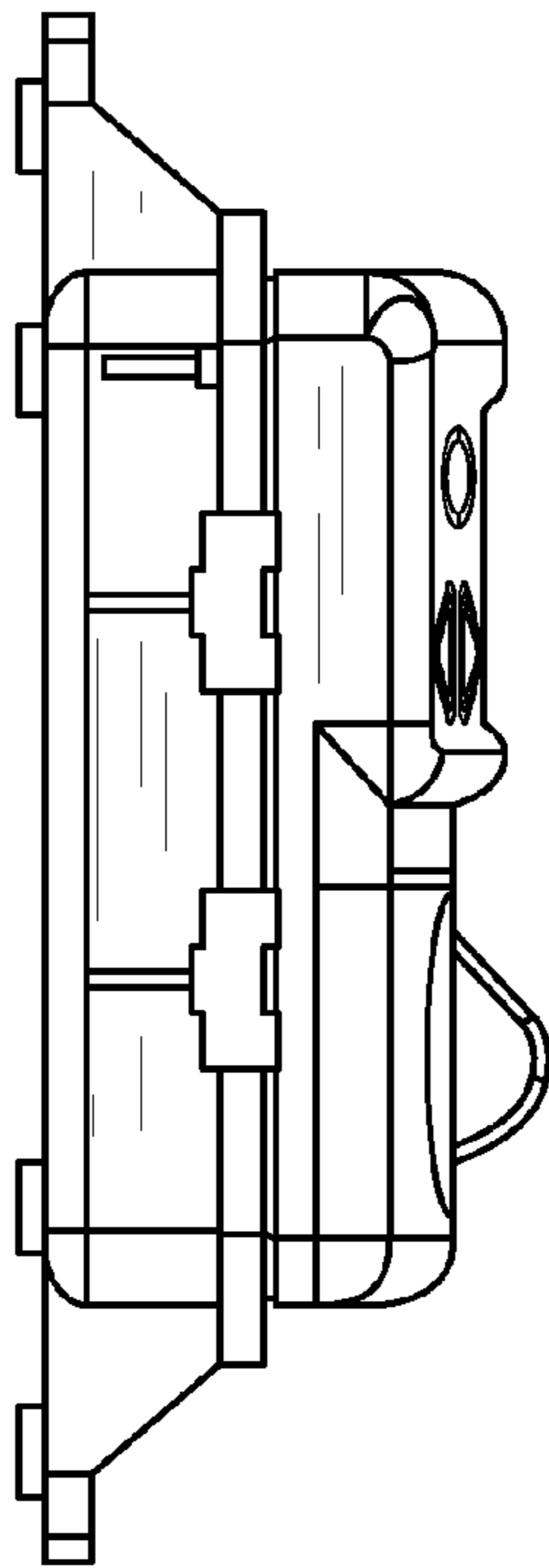
**FIG. 7**



**FIG. 8**



**FIG. 9**



**FIG. 10**

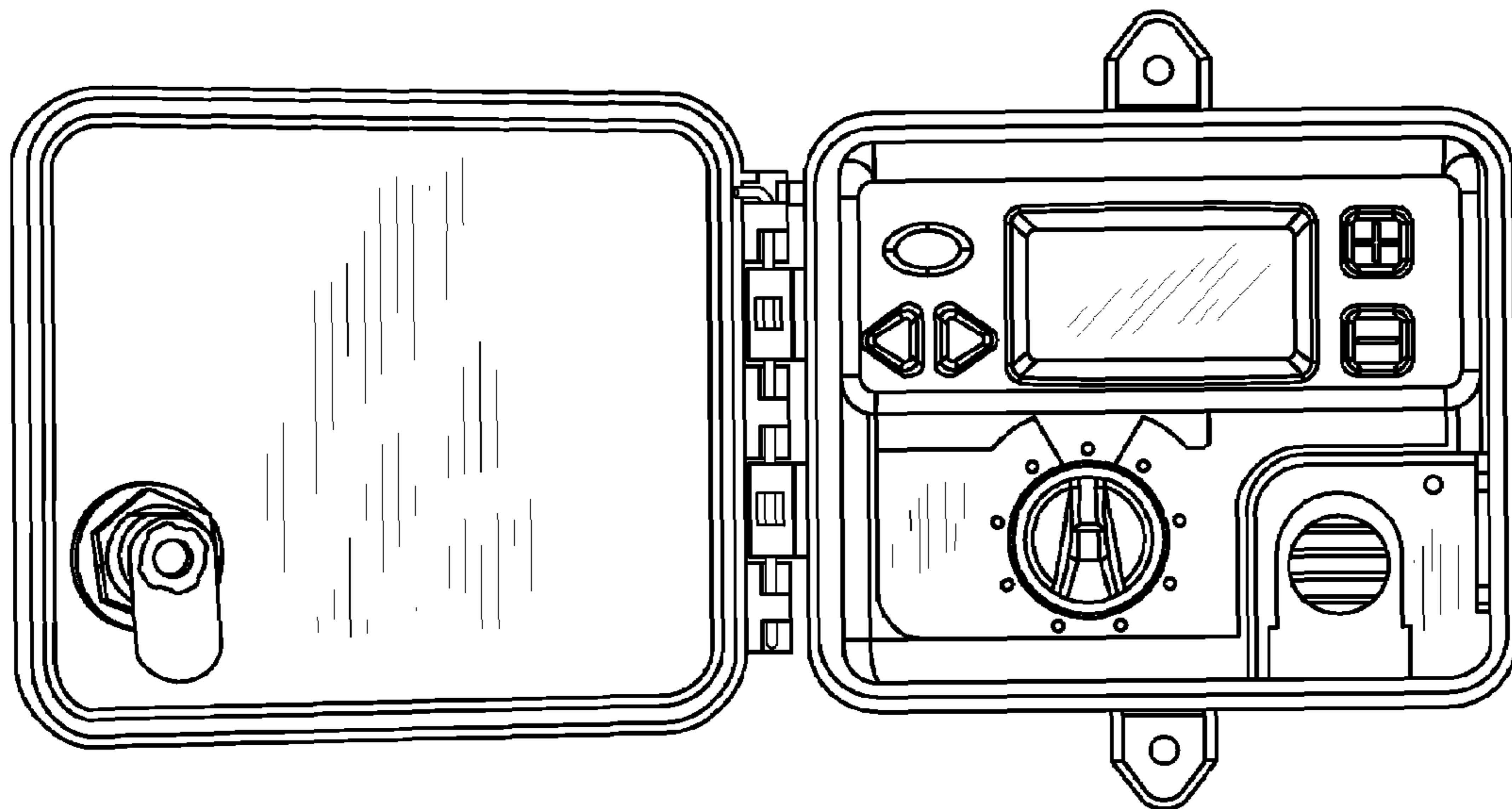


FIG. 11