



US00D580372S

(12) **United States Design Patent**  
**Lai**

(10) **Patent No.:** **US D580,372 S**

(45) **Date of Patent:** **\*\* Nov. 11, 2008**

(54) **EMI PROTECTIVE SPRING PLATE**

(75) Inventor: **Shih Yung Lai**, Taipei Hsien (TW)

(73) Assignee: **Nextronics Engineering Corp.**, Taipei Hsien (TW)

(\*\*) Term: **14 Years**

(21) Appl. No.: **29/229,219**

(22) Filed: **May 5, 2005**

(51) **LOC (8) Cl.** ..... **13-03**

(52) **U.S. Cl.** ..... **D13/156**

(58) **Field of Classification Search** ..... D13/156;  
361/679, 683, 728, 736, 748, 799, 816, 818,  
361/819

See application file for complete search history.

(56) **References Cited**

**U.S. PATENT DOCUMENTS**

7,277,301	B2 *	10/2007	Liang	.....	361/816
7,381,906	B2 *	6/2008	Holmberg	.....	361/818
7,388,161	B2 *	6/2008	Hsieh et al.	.....	361/818

\* cited by examiner

*Primary Examiner*—Brian N Vinson

(74) *Attorney, Agent, or Firm*—Rosenberg, Klein & Lee

(57) **CLAIM**

The ornamental design for a “EMI protective spring plate,” as shown and described.

**DESCRIPTION**

FIG. 1 is a perspective view of an “EMI protective spring plate” showing my new design;

FIG. 2 is a front view thereof;

FIG. 3 is a rear view thereof;

FIG. 4 is a left side view thereof;

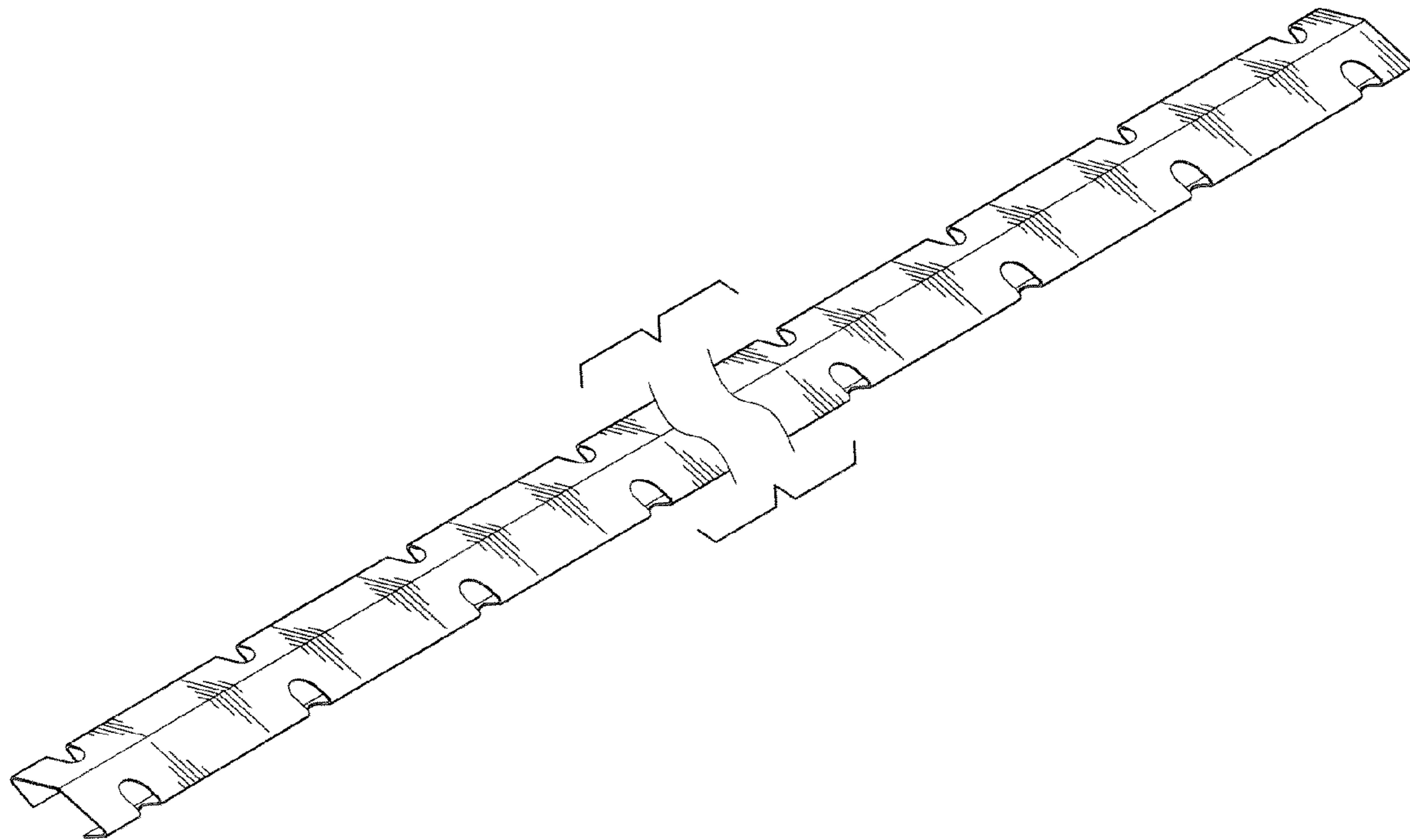
FIG. 5 is a right side view thereof;

FIG. 6 is a top view thereof; and,

FIG. 7 is a bottom view thereof.

The EMI protective spring plate of FIGS. 1 and 4–7 is shown broken-away in the views to indicated unclaimed length.

**1 Claim, 3 Drawing Sheets**



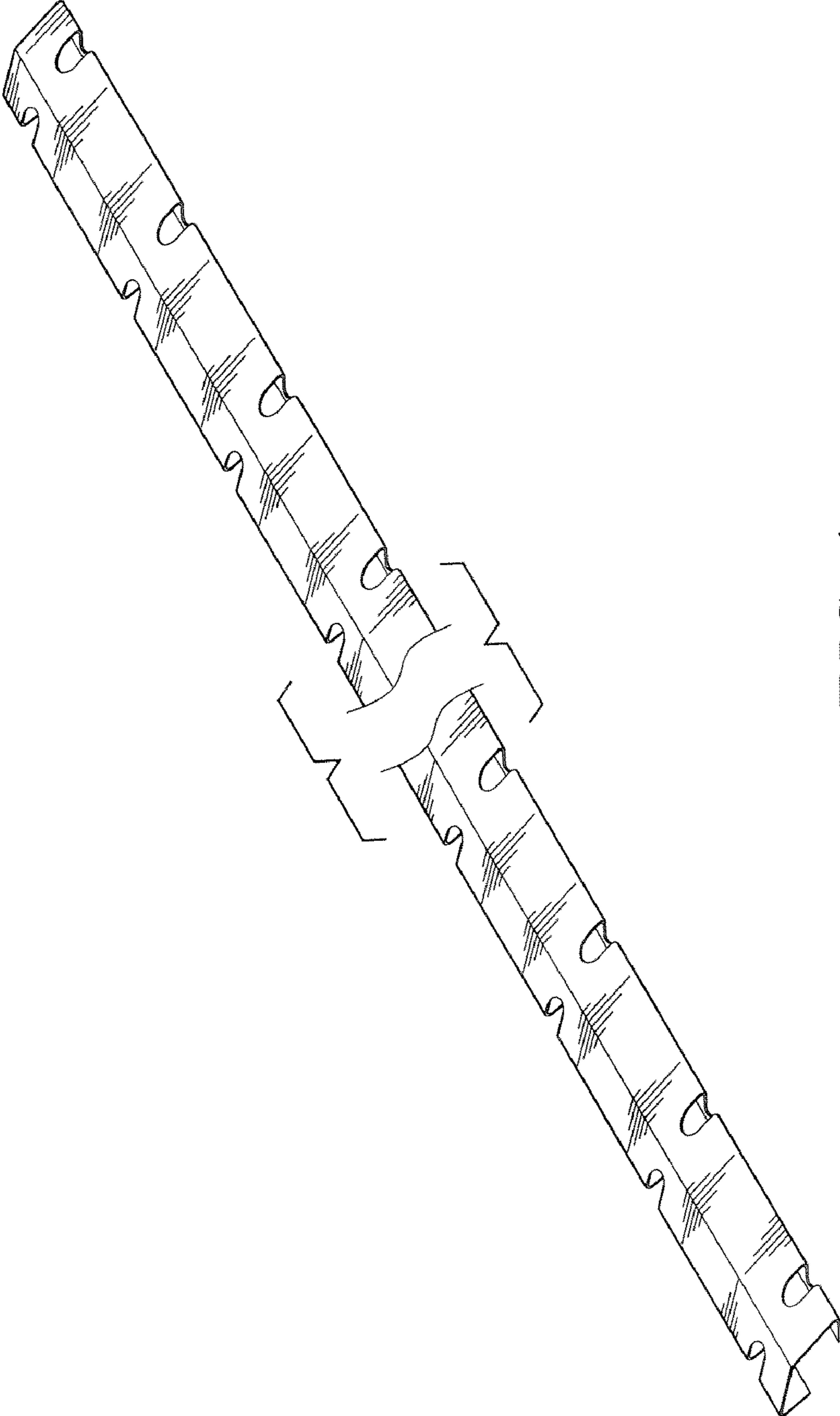


FIG. 1



FIG. 2



FIG. 3

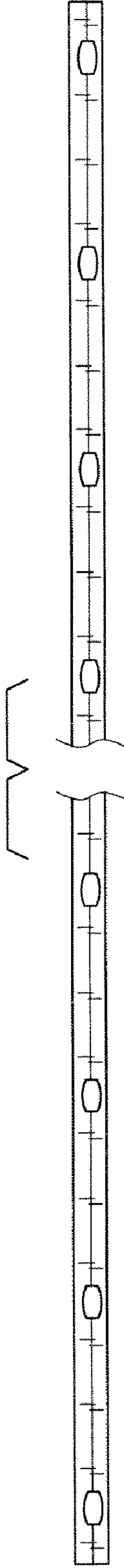


FIG. 4



FIG. 5

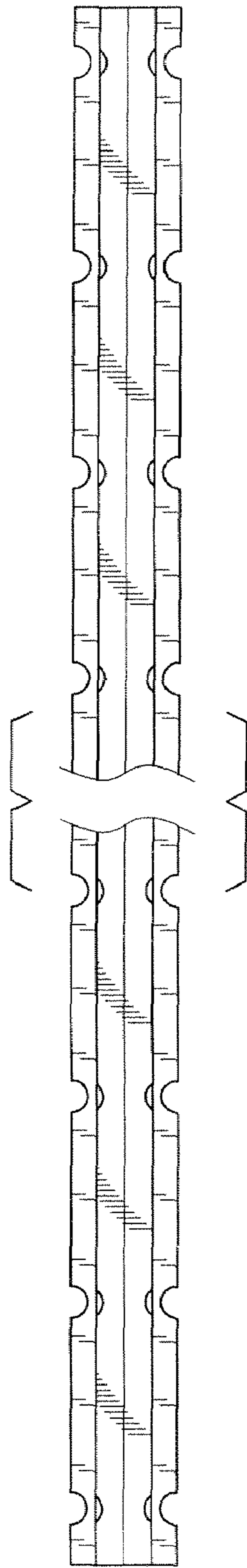


FIG. 7

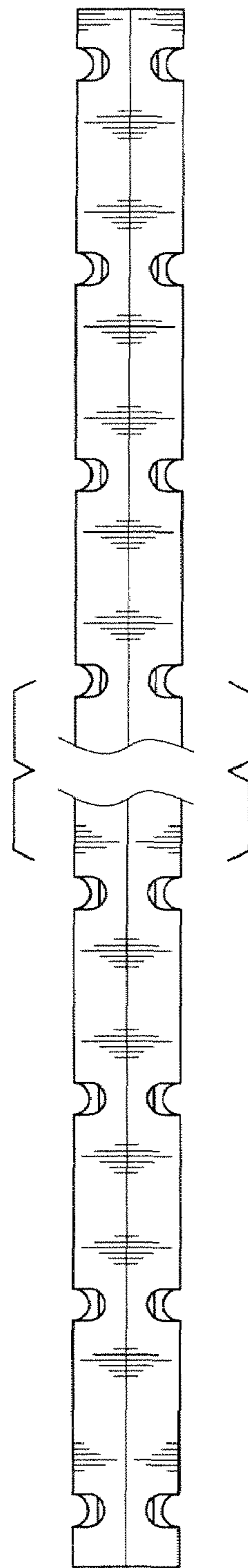


FIG. 6