



US00D580371S

(12) **United States Design Patent**
Farahani

(10) **Patent No.:** **US D580,371 S**
(45) **Date of Patent:** **** Nov. 11, 2008**

(54) **KEYED ELECTRICAL CONNECTOR ASSEMBLY**

(75) Inventor: **Fereidoun A. Farahani**, Woodbridge, CT (US)

(73) Assignee: **Nexus, Incorporated**, Stamford, CT (US)

(**) Term: **14 Years**

(21) Appl. No.: **29/283,915**

(22) Filed: **Aug. 27, 2007**

(51) **LOC (8) Cl.** **13-03**

(52) **U.S. Cl.** **D13/154; D13/146; D13/147**

(58) **Field of Classification Search** **D13/146, D13/147, 154; 439/155, 460, 578, 597, 600, 439/660, 668, 680**

See application file for complete search history.

(56) **References Cited**

U.S. PATENT DOCUMENTS

D162,795 S *	4/1951	De	D13/146
3,818,420 A *	6/1974	Barr	439/261
4,229,064 A *	10/1980	Vetter et al.	439/680
D529,441 S *	10/2006	LaPere	D13/133
D555,597 S *	11/2007	Phung et al.	D13/154
2006/0258209 A1 *	11/2006	Hall	439/578

* cited by examiner

Primary Examiner—Daniel D Bui

(74) *Attorney, Agent, or Firm*—St. Onge Steward Johnston & Reens LLC

(57) **CLAIM**

The ornamental design for keyed electrical connector assembly, as shown and described.

DESCRIPTION

FIG. 1 is a front perspective view of a keyed electrical connector assembly showing my new design;

FIG. 2 is a rear perspective view thereof;

FIG. 3 is a top view thereof;

FIG. 4 is a side view thereof;

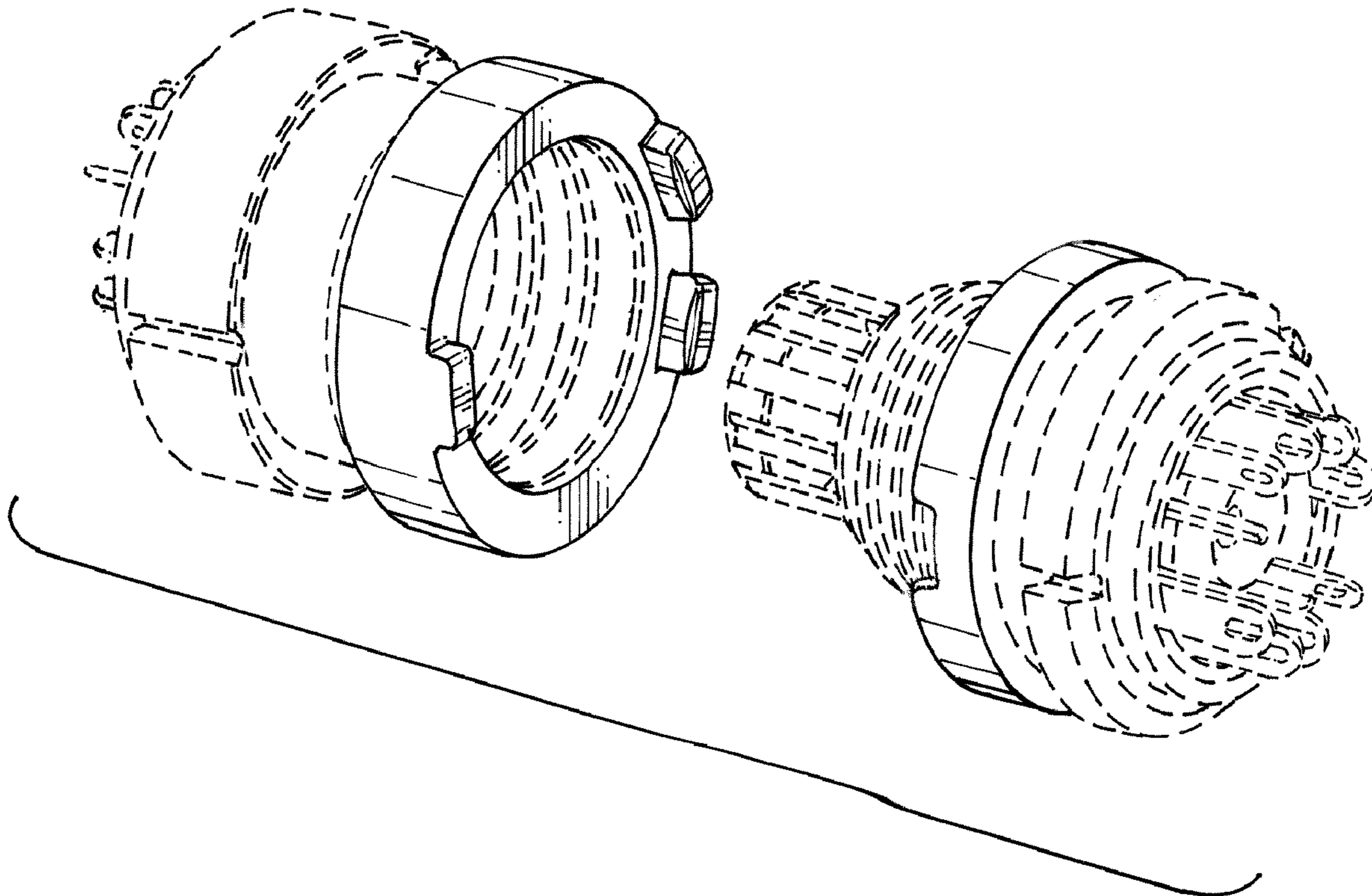
FIG. 5 is a bottom view thereof;

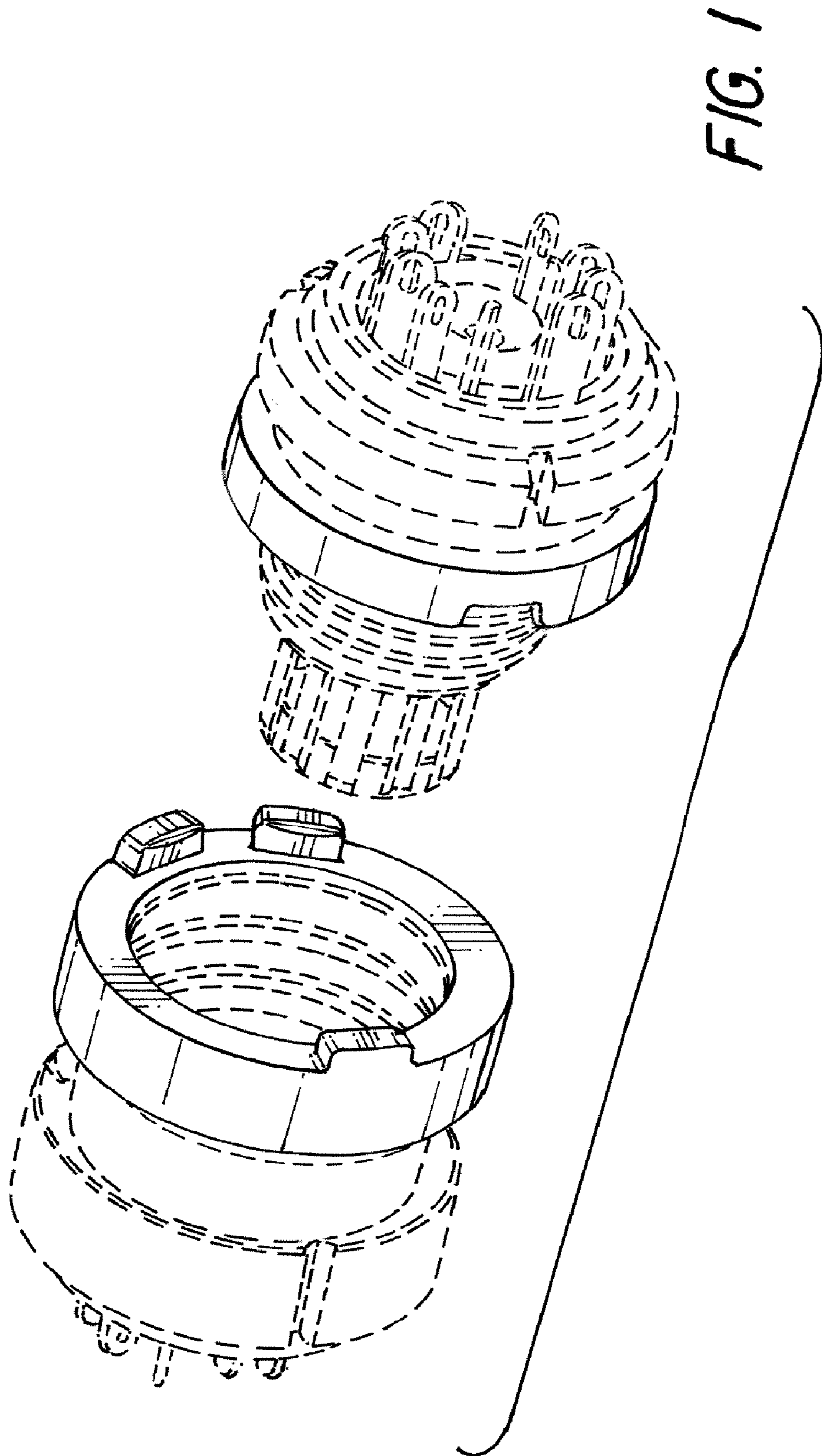
FIG. 6 is a front view of a first portion of the keyed electrical connector assembly; and,

FIG. 7 is a front view of a second portion of the keyed electrical connector assembly.

The broken line portion of the figure drawings is included to show unclaimed subject matter only and forms no part of the claimed design.

1 Claim, 4 Drawing Sheets





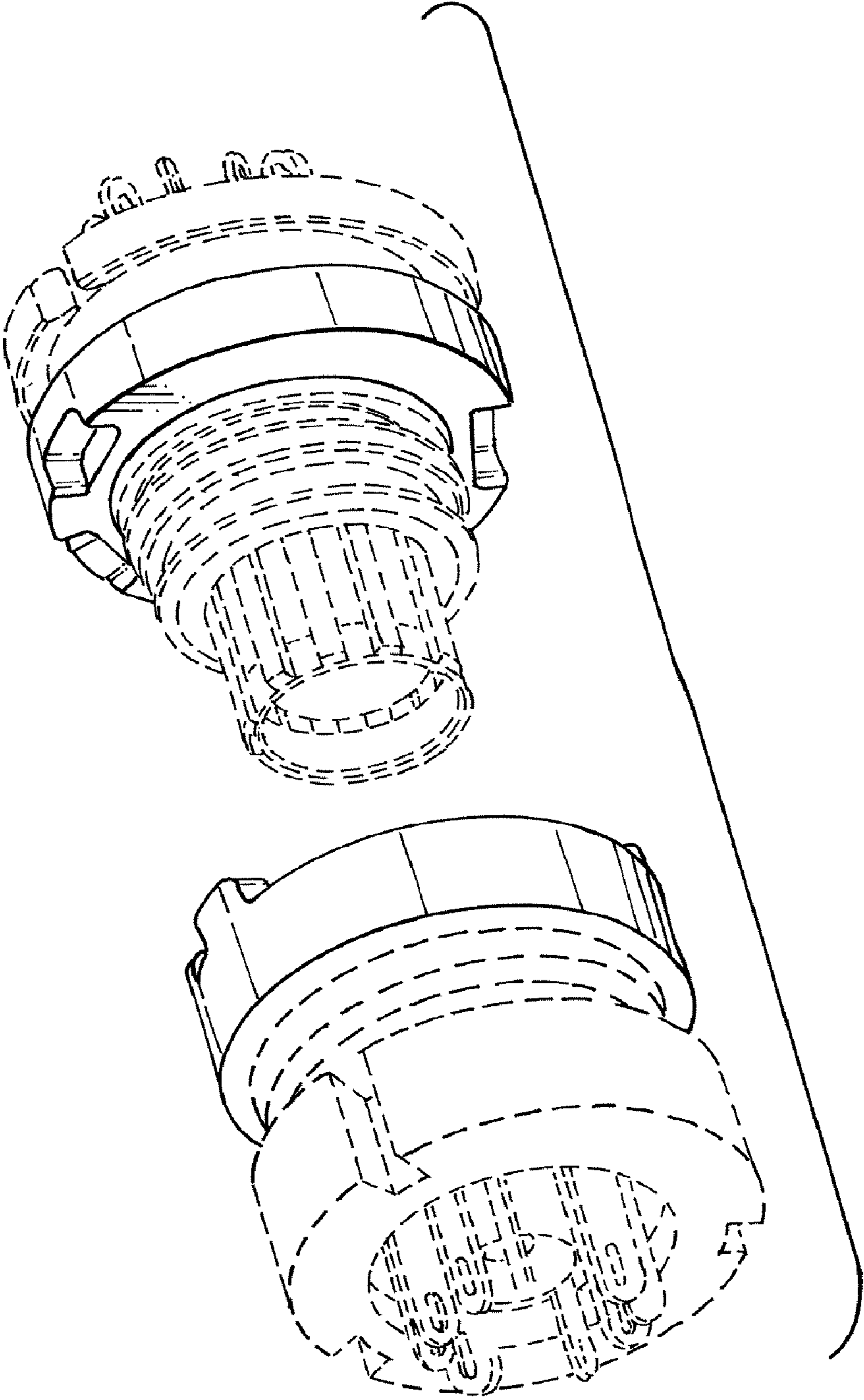


FIG. 2

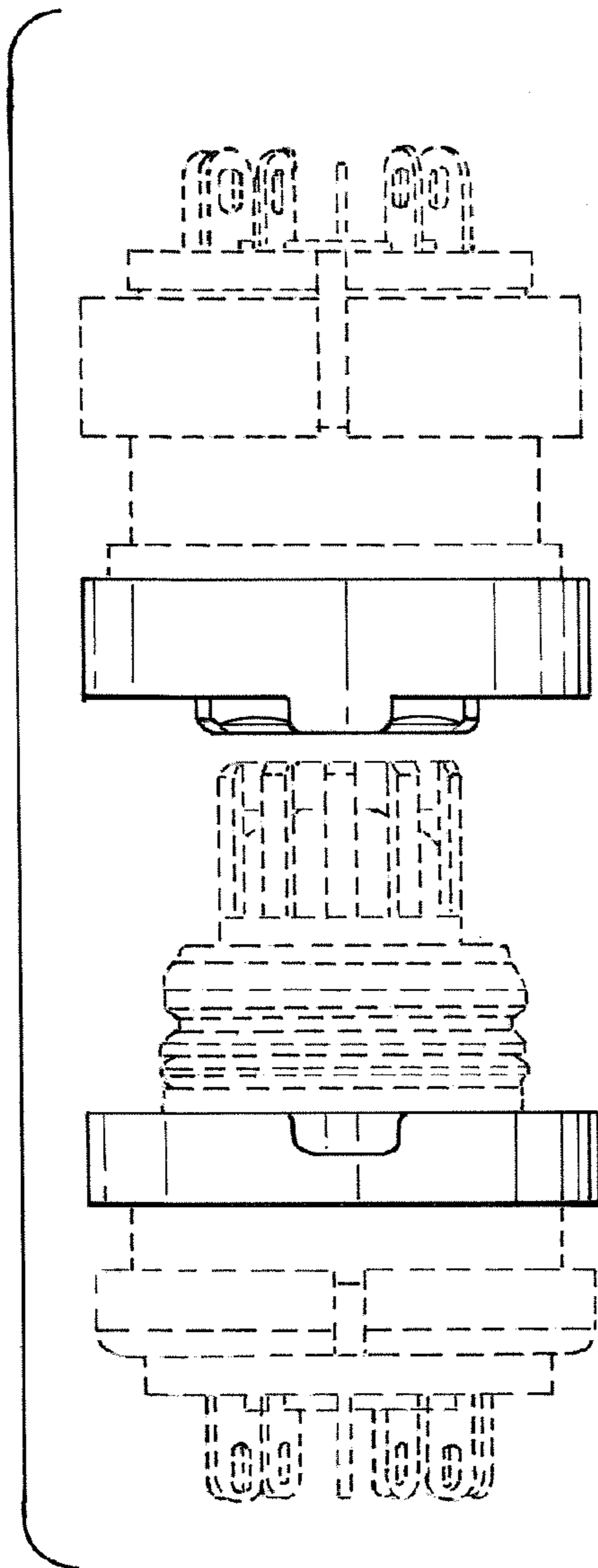


FIG. 3

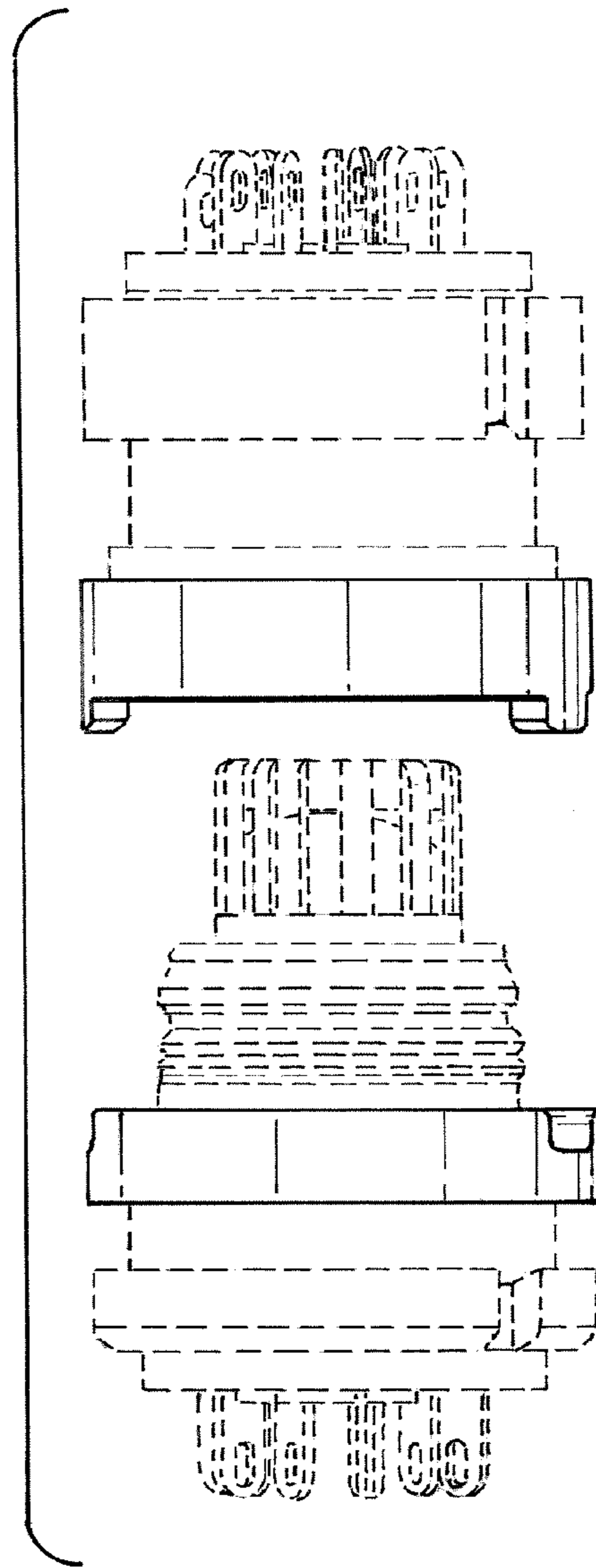


FIG. 4

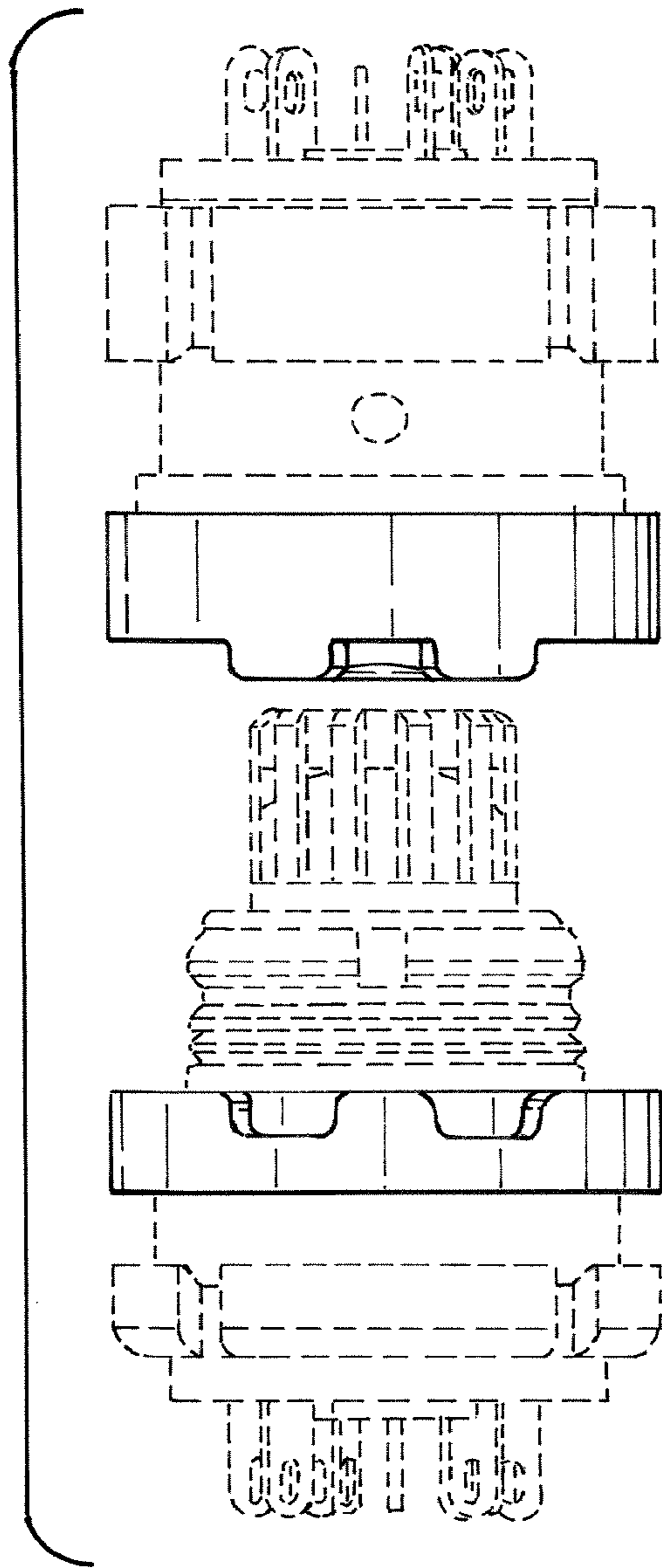


FIG. 5

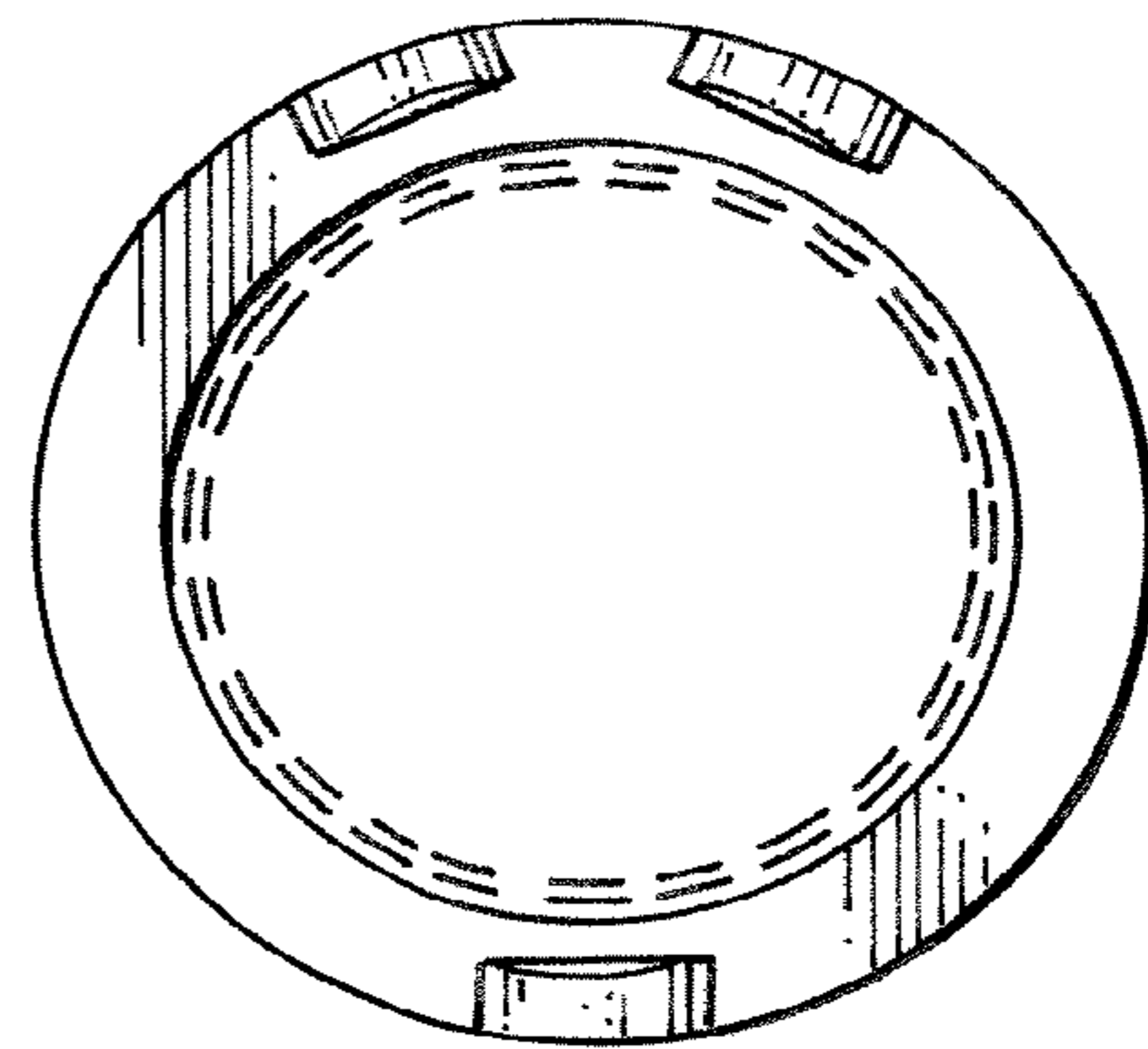


FIG. 6

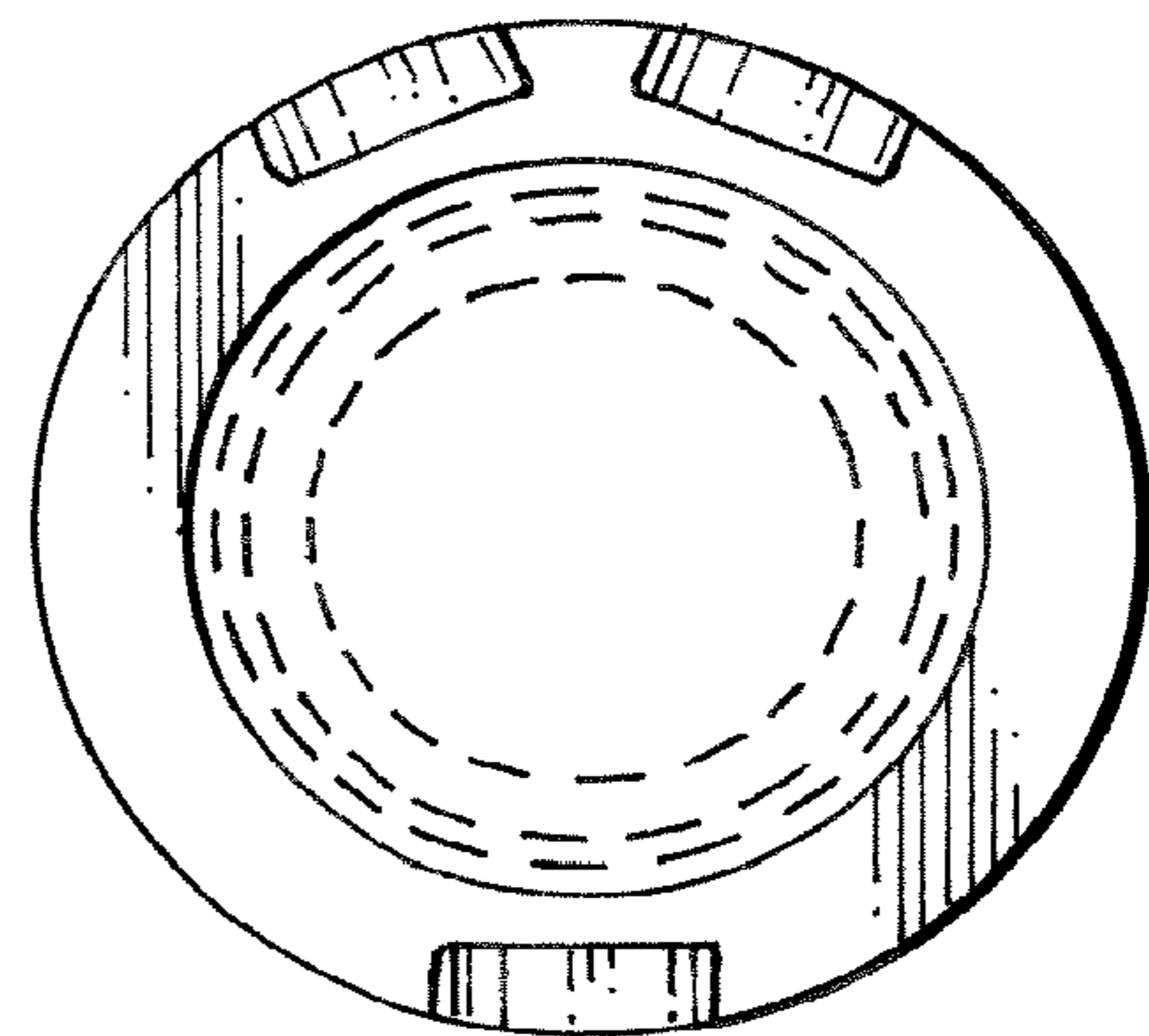


FIG. 7