



US00D580370S

(12) **United States Design Patent**  
**Ramsey**

(10) **Patent No.:** **US D580,370 S**

(45) **Date of Patent:** **\*\* Nov. 11, 2008**

(54) **PLUG ELECTRICAL CONNECTOR**

(75) Inventor: **Mark Ramsey**, Fort Wayne, IN (US)

(73) Assignee: **Group Dekko, Inc.**, Kendallville, IN (US)

(\*\*) Term: **14 Years**

(21) Appl. No.: **29/277,731**

(22) Filed: **Mar. 8, 2007**

(51) **LOC (8) Cl.** ..... **13-03**

(52) **U.S. Cl.** ..... **D13/154**

(58) **Field of Classification Search** ..... D13/133,  
D13/146-147, 154, 184

See application file for complete search history.

(56) **References Cited**

**U.S. PATENT DOCUMENTS**

D210,533 S *	3/1968	Pauza .....	D13/147
D310,993 S *	10/1990	Ohkura et al. ....	D13/146
D324,031 S *	2/1992	Lambert et al. ....	D13/147
5,393,235 A *	2/1995	Ingalsbe .....	439/76.1
D474,746 S *	5/2003	Rupert .....	D13/147
D510,908 S *	10/2005	Byrne .....	D13/147
D531,959 S *	11/2006	Kondas .....	D13/147

D531,960 S \* 11/2006 Kondas ..... D13/147

\* cited by examiner

*Primary Examiner*—Daniel D Bui

(74) *Attorney, Agent, or Firm*—Taylor & Aust, P.C.

(57) **CLAIM**

The ornamental design for a plug electrical connector, as shown and described.

**DESCRIPTION**

FIG. 1 is a perspective view of a plug electrical connector showing my new design;

FIG. 2 is a front view thereof;

FIG. 3 is a rear view thereof;

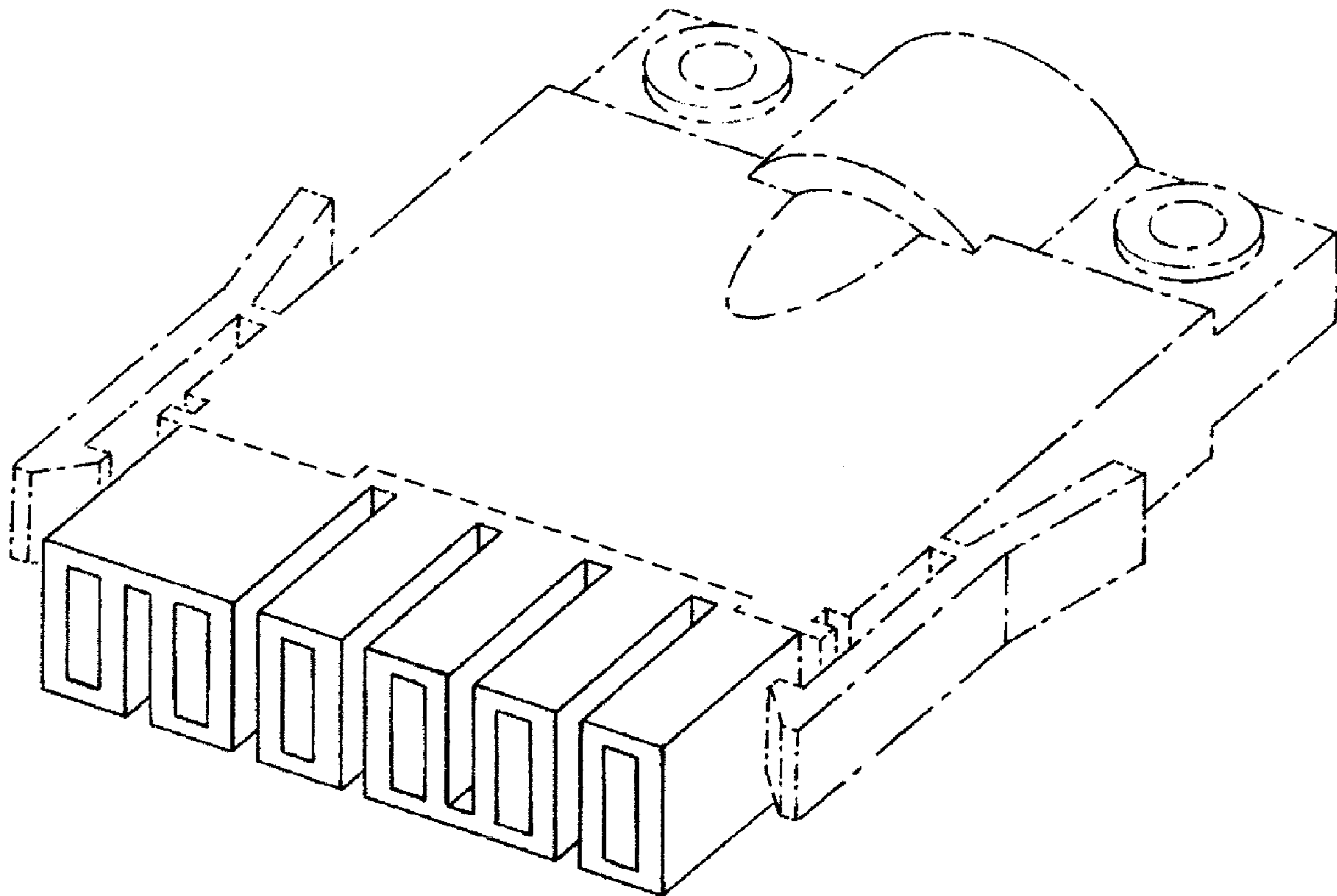
FIG. 4 is a top view thereof;

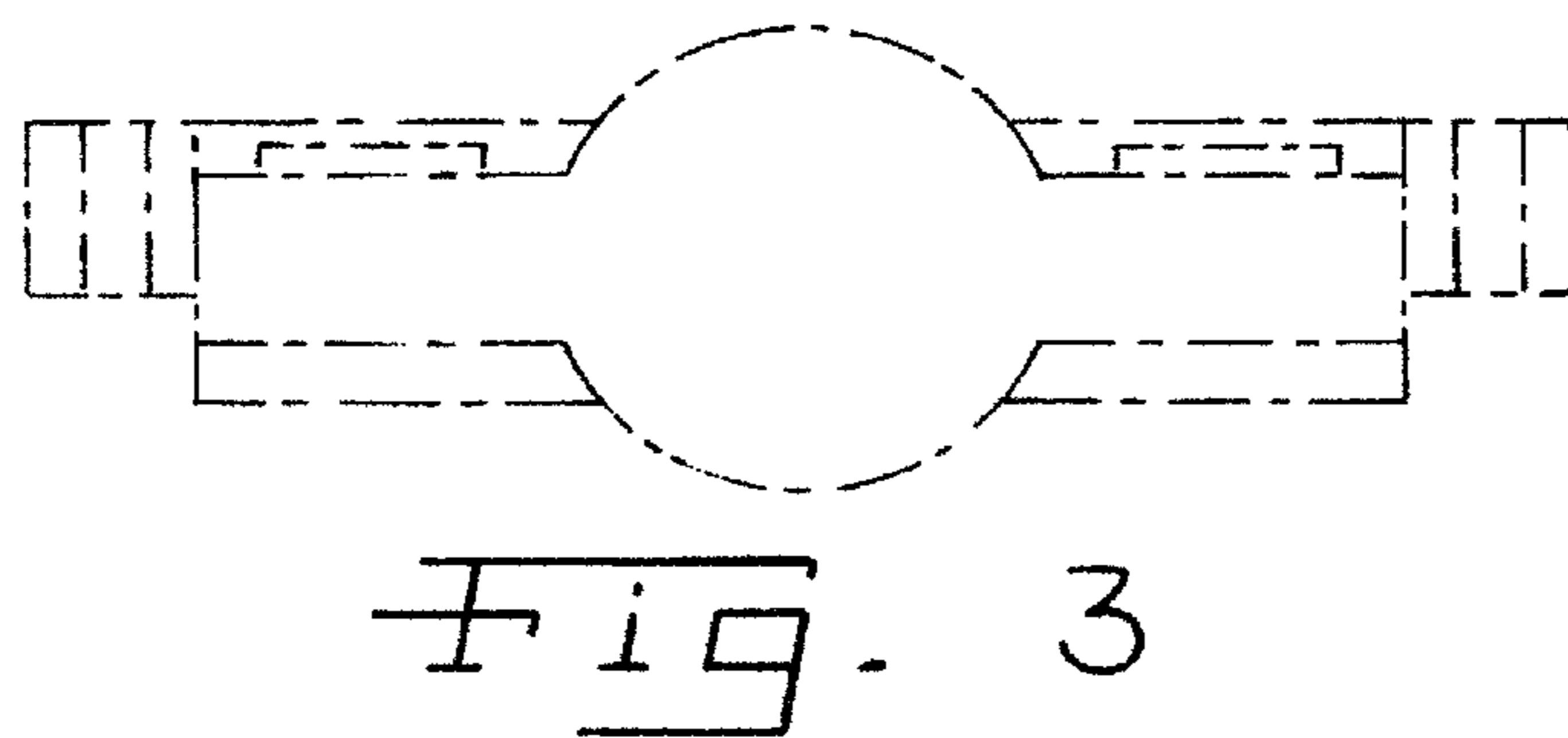
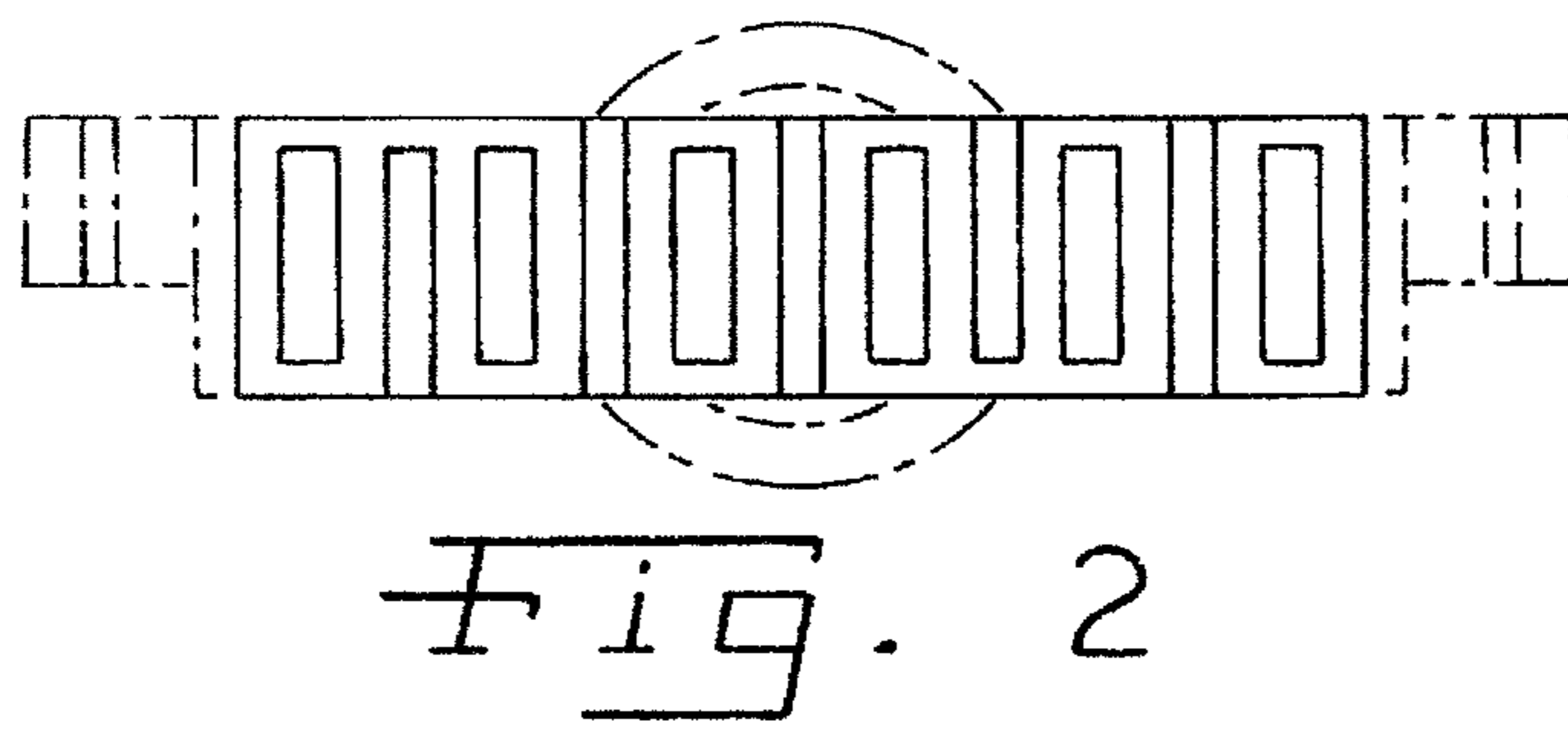
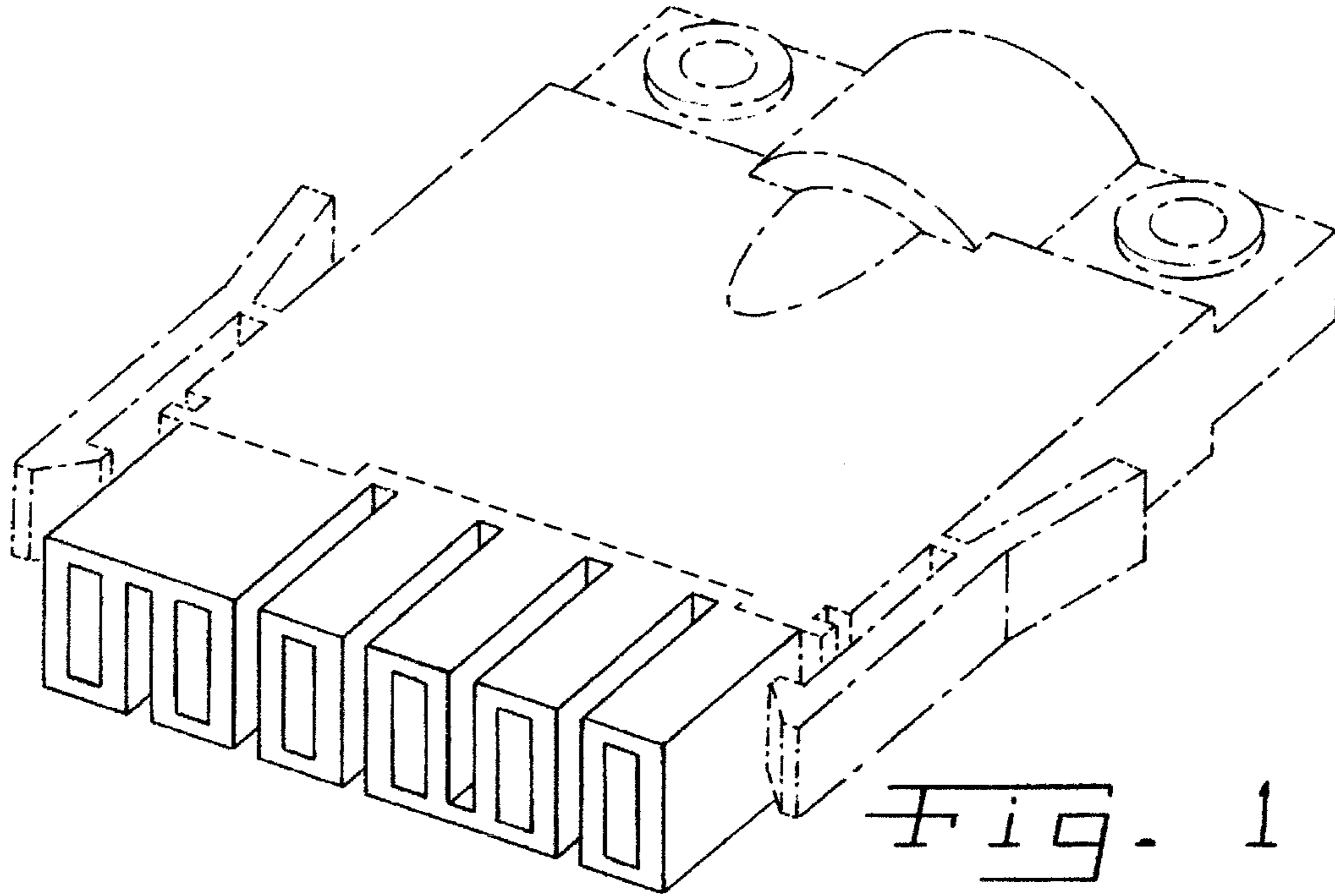
FIG. 5 is a bottom view thereof; and,

FIG. 6 is a side view thereof, the opposite side view being a mirror image thereto.

The dash-dot line portion of the figure drawings is included to show unclaimed subject matter only and forms no part of the claimed design. The evenly broken line represents the boundary of the claimed design.

**1 Claim, 3 Drawing Sheets**





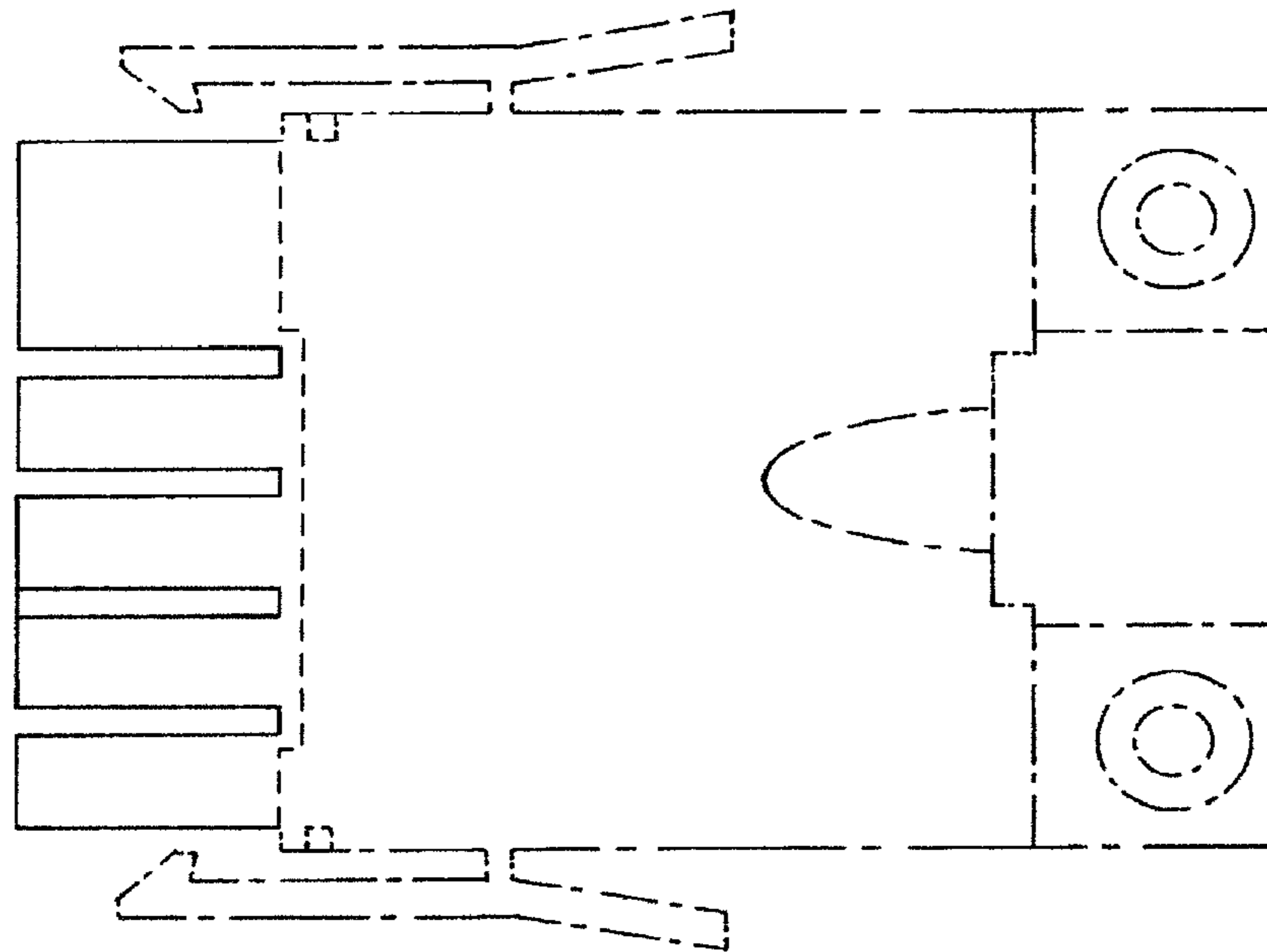


Fig. 4

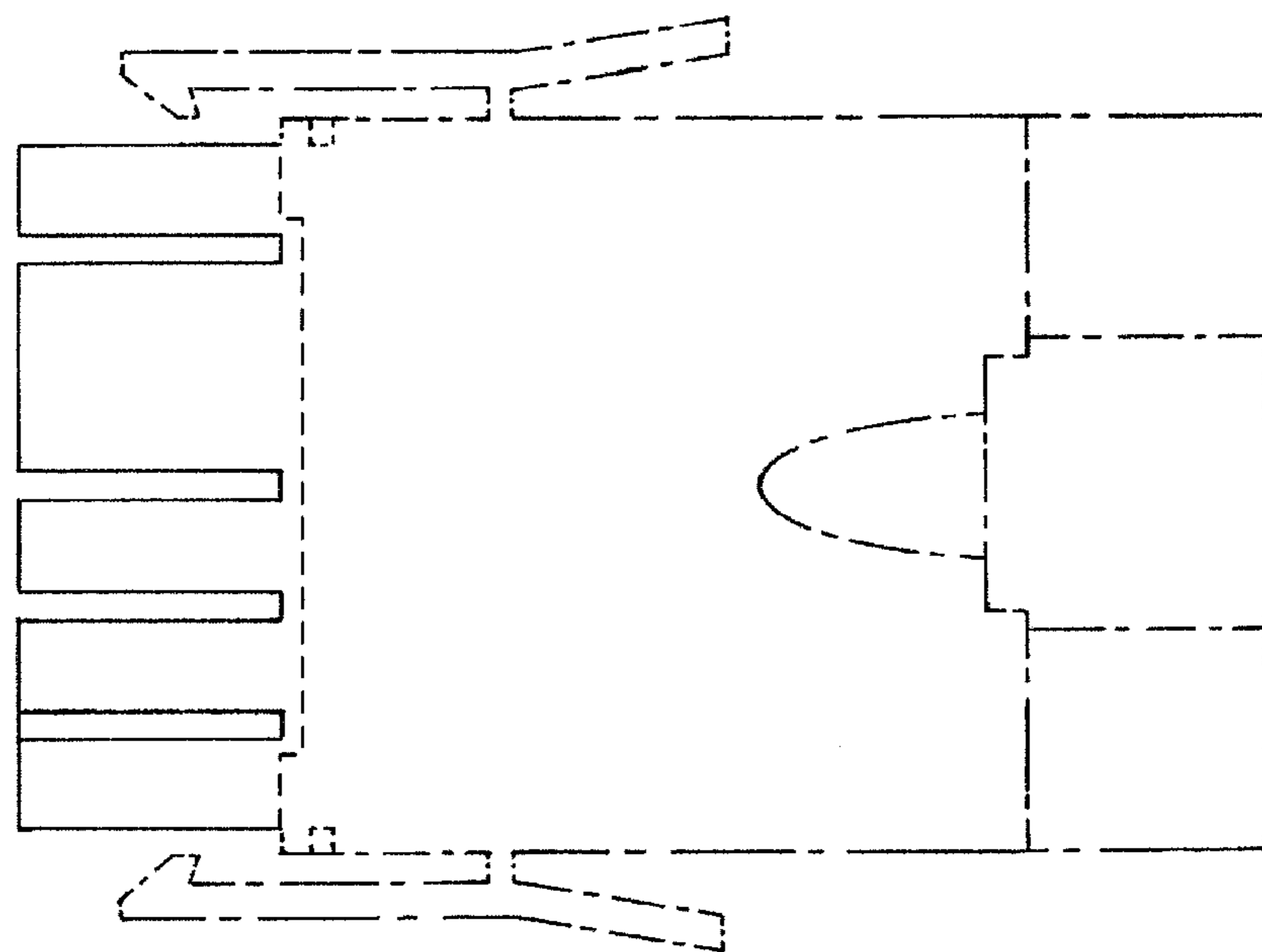


Fig. 5

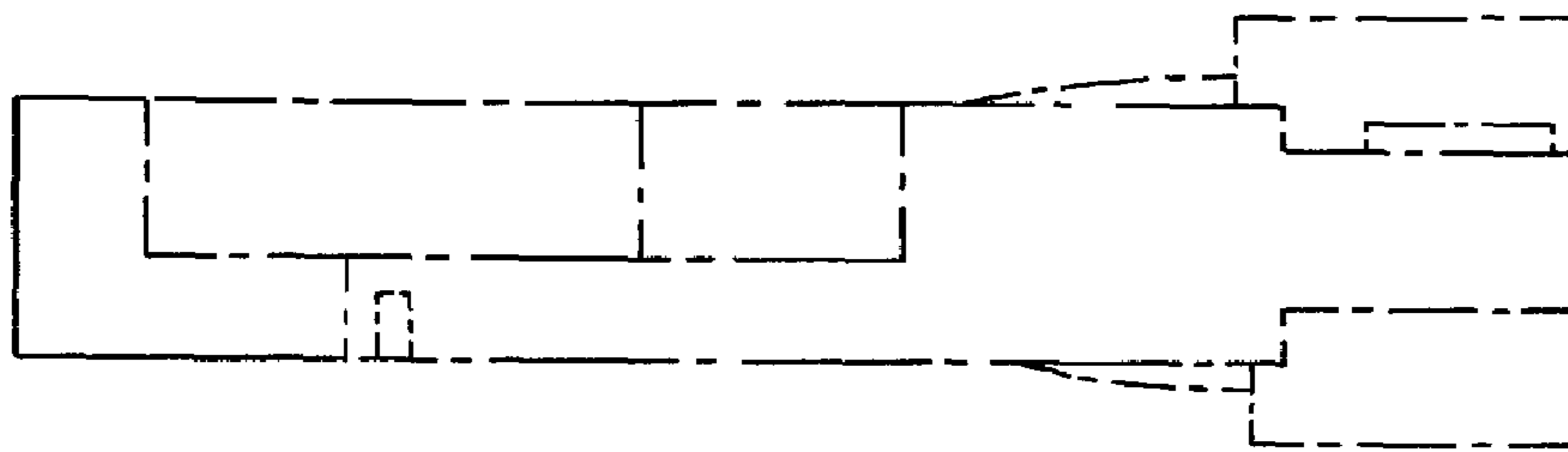


Fig. 6