



US00D580366S

(12) **United States Design Patent**  
**Peng**

(10) **Patent No.:** **US D580,366 S**

(45) **Date of Patent:** **\*\* Nov. 11, 2008**

(54) **RECEPTACLE CONNECTOR**

(75) Inventor: **Yung-Chi Peng**, Tu-Cheng (TW)

(73) Assignee: **Cheng Uei Precision Industry Co., Ltd.**, Taipei Hsien (TW)

(\*\*) Term: **14 Years**

(21) Appl. No.: **29/290,807**

(22) Filed: **Jan. 16, 2008**

(51) **LOC (8) Cl.** ..... **13-03**

(52) **U.S. Cl.** ..... **D13/147**

(58) **Field of Classification Search** ..... D13/146-147,  
D13/154, 184; D14/432, 433, 436, 438;  
439/64, 79, 108, 159-160, 260, 325, 326,  
439/394-395, 607-610, 629-630, 946  
See application file for complete search history.

(56) **References Cited**

U.S. PATENT DOCUMENTS

6,984,137	B2 *	1/2006	Akasaka et al.	.....	439/108
7,070,423	B2 *	7/2006	Zhang et al.	.....	439/74
D539,227	S *	3/2007	Yamada et al.	.....	D13/147
D544,447	S *	6/2007	Peng et al.	.....	D13/147
D562,244	S *	2/2008	Peng	.....	D13/147

D562,770	S *	2/2008	Obikane	.....	D13/147
D562,773	S *	2/2008	Peng	.....	D13/147
2005/0042924	A1 *	2/2005	Zhang et al.	.....	439/607
2008/0081503	A1 *	4/2008	Hoshino et al.	.....	439/345
2008/0081506	A1 *	4/2008	Hoshino et al.	.....	439/374

\* cited by examiner

*Primary Examiner*—Daniel D Bui

(74) *Attorney, Agent, or Firm*—Rosenberg, Klein & Lee

(57) **CLAIM**

The ornamental design for a receptacle connector, as shown and described.

**DESCRIPTION**

FIG. 1 is a perspective view of a receptacle connector showing our new design;

FIG. 2 is a front elevational view thereof;

FIG. 3 is a rear elevational view thereof;

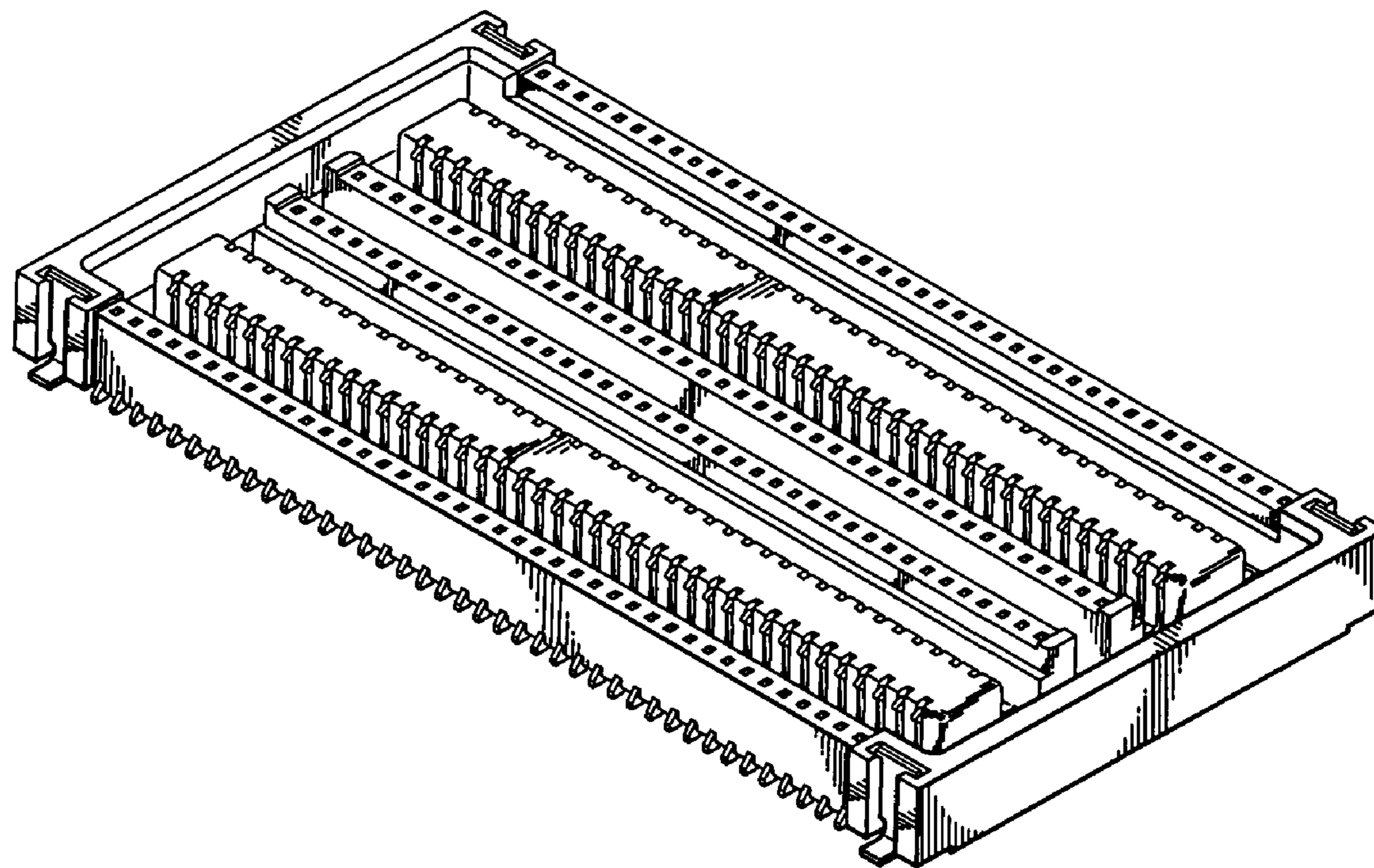
FIG. 4 is a left side elevational view thereof;

FIG. 5 is a right side elevational view thereof;

FIG. 6 is a top plan view thereof; and,

FIG. 7 is a bottom plan view thereof.

**1 Claim, 7 Drawing Sheets**



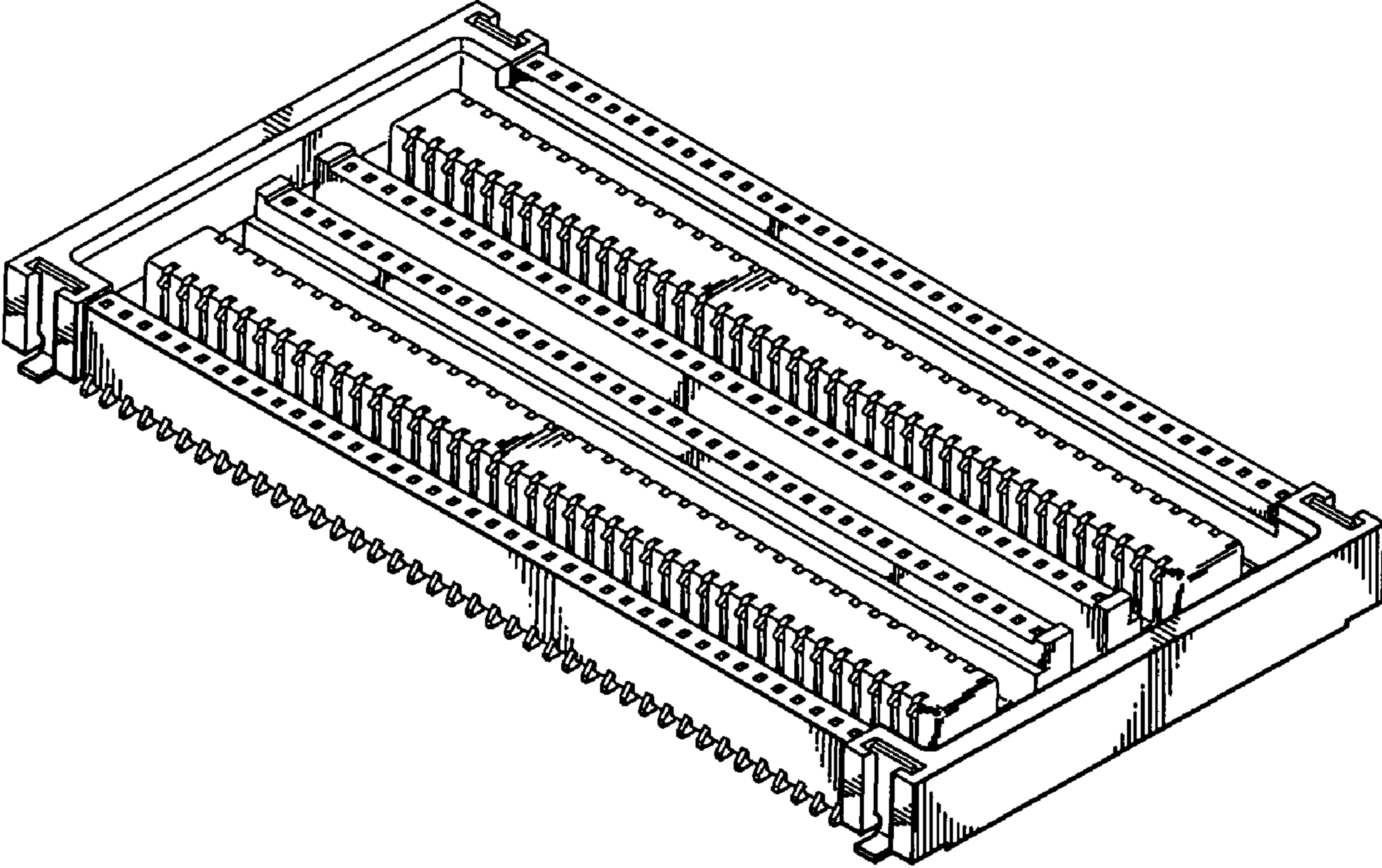


FIG. 1

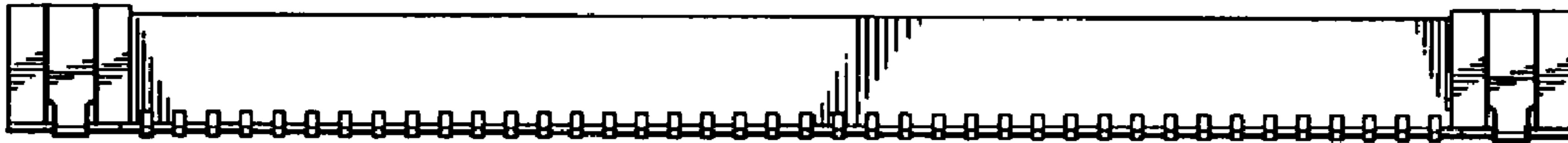


FIG. 2

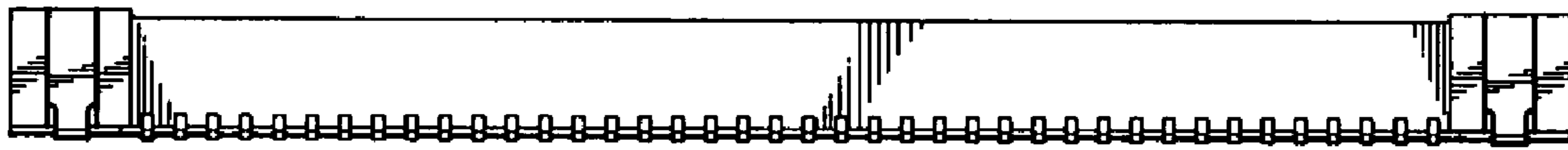


FIG. 3

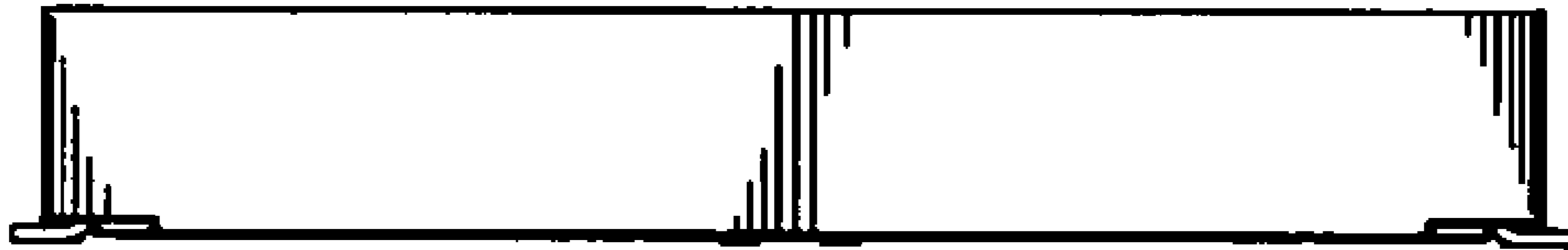


FIG. 4

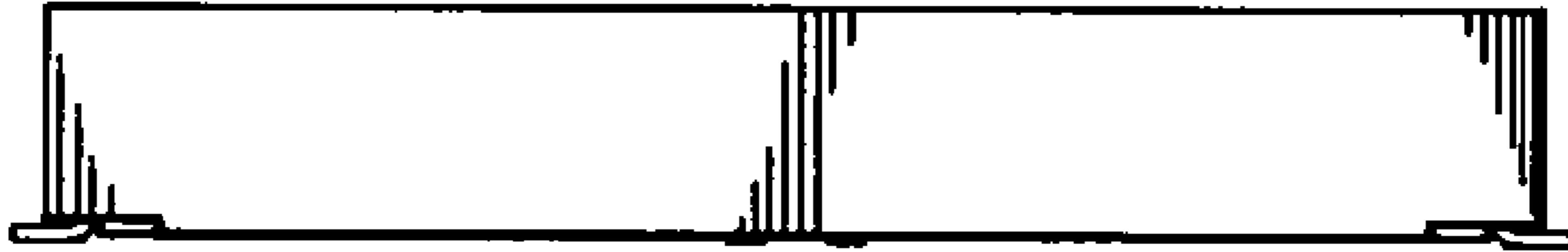


FIG. 5

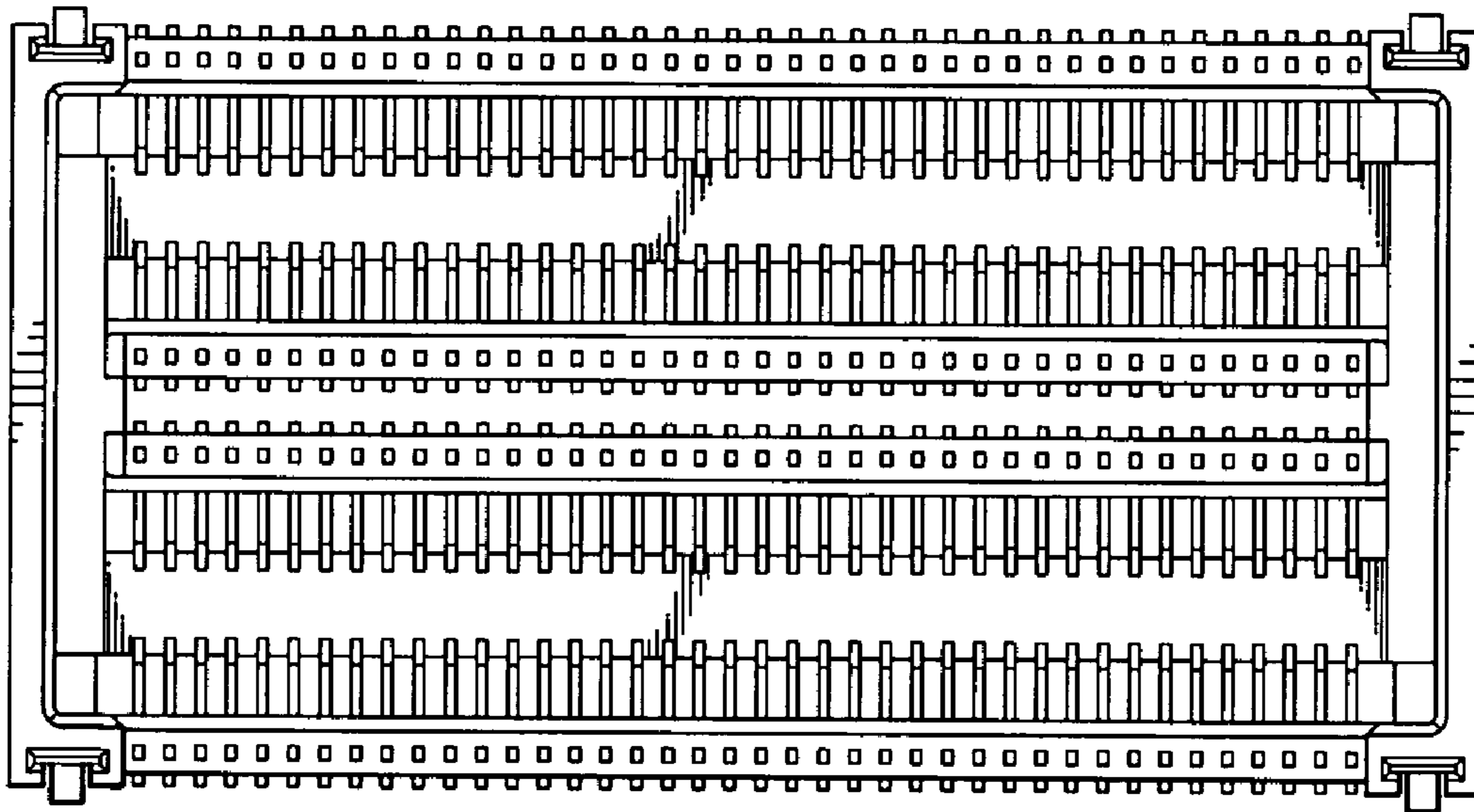


FIG. 6



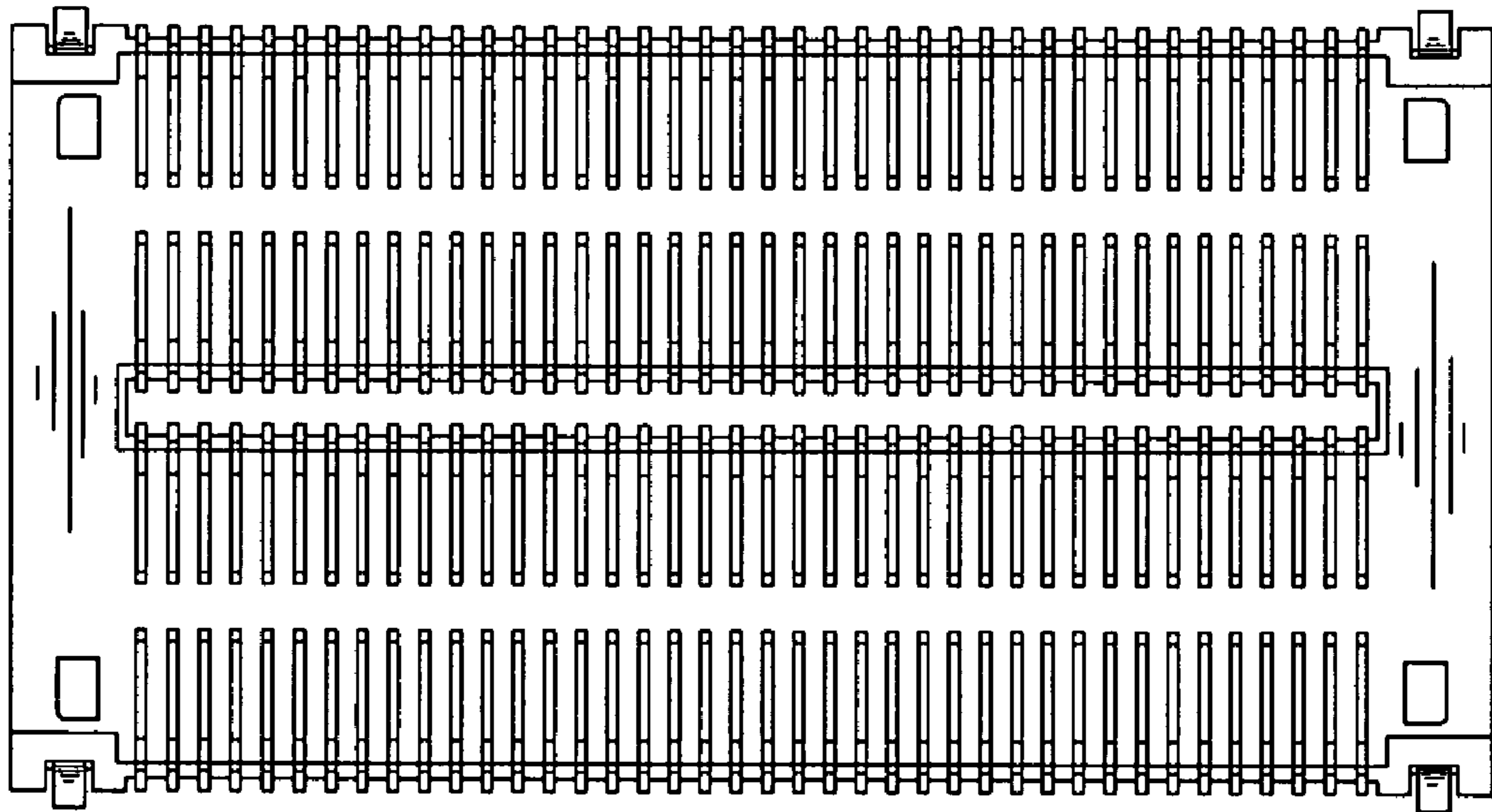


FIG. 7