



US00D580363S

(12) **United States Design Patent**  
**Hung**

(10) **Patent No.:** **US D580,363 S**

(45) **Date of Patent:** **\*\* Nov. 11, 2008**

(54) **CARD CONNECTOR**

7,371,120 B1 \* 5/2008 Wu et al. .... 439/636  
D570,291 S \* 6/2008 Zhang ..... D13/147

(75) Inventor: **Pei Chiao Hung**, Tu-Cheng (TW)

\* cited by examiner

(73) Assignee: **Cheng Uei Precision Industry Co., Ltd.**, Taipei Hsien (TW)

*Primary Examiner*—Daniel D Bui

(74) *Attorney, Agent, or Firm*—Rosenberg, Klein & Lee

(\*\*) Term: **14 Years**

(57) **CLAIM**

(21) Appl. No.: **29/290,343**

The ornamental design for a card connector, as shown and described.

(22) Filed: **Nov. 23, 2007**

(51) **LOC (8) Cl.** ..... **13-03**

(52) **U.S. Cl.** ..... **D13/147**

(58) **Field of Classification Search** ..... D13/146–147,  
D13/154, 184; D14/432, 433, 436, 438;  
361/684–685; 439/64, 79, 159–160, 607–610,  
439/629–630, 660

See application file for complete search history.

**DESCRIPTION**

FIG. 1 is a perspective view of a card connector showing my new design;

FIG. 2 is a front elevational view thereof;

FIG. 3 is a rear elevational view thereof;

FIG. 4 is a left side elevational view thereof;

FIG. 5 is a right side elevational view thereof;

FIG. 6 is a top plan view thereof;

FIG. 7 is a bottom plan view thereof; and,

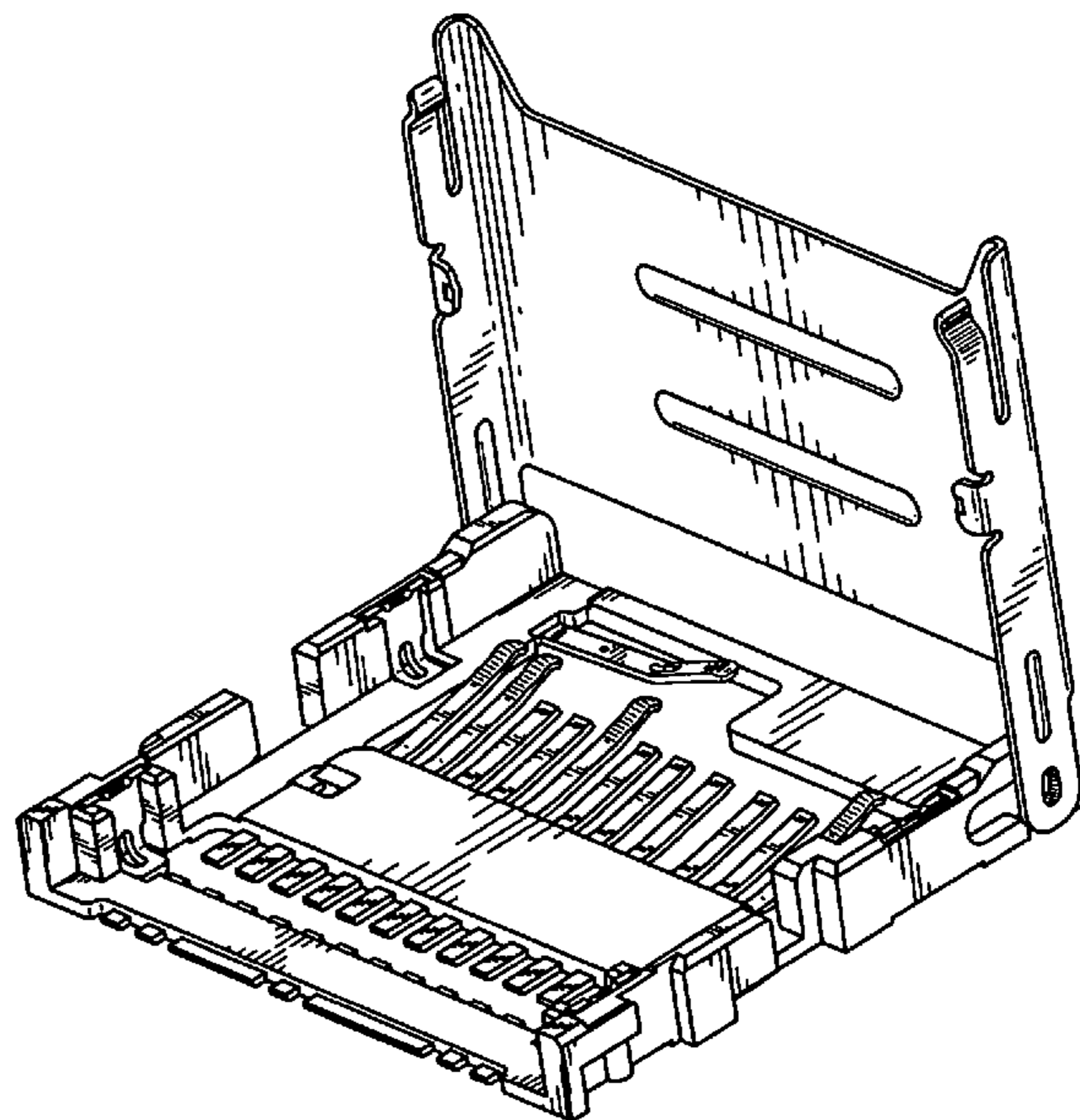
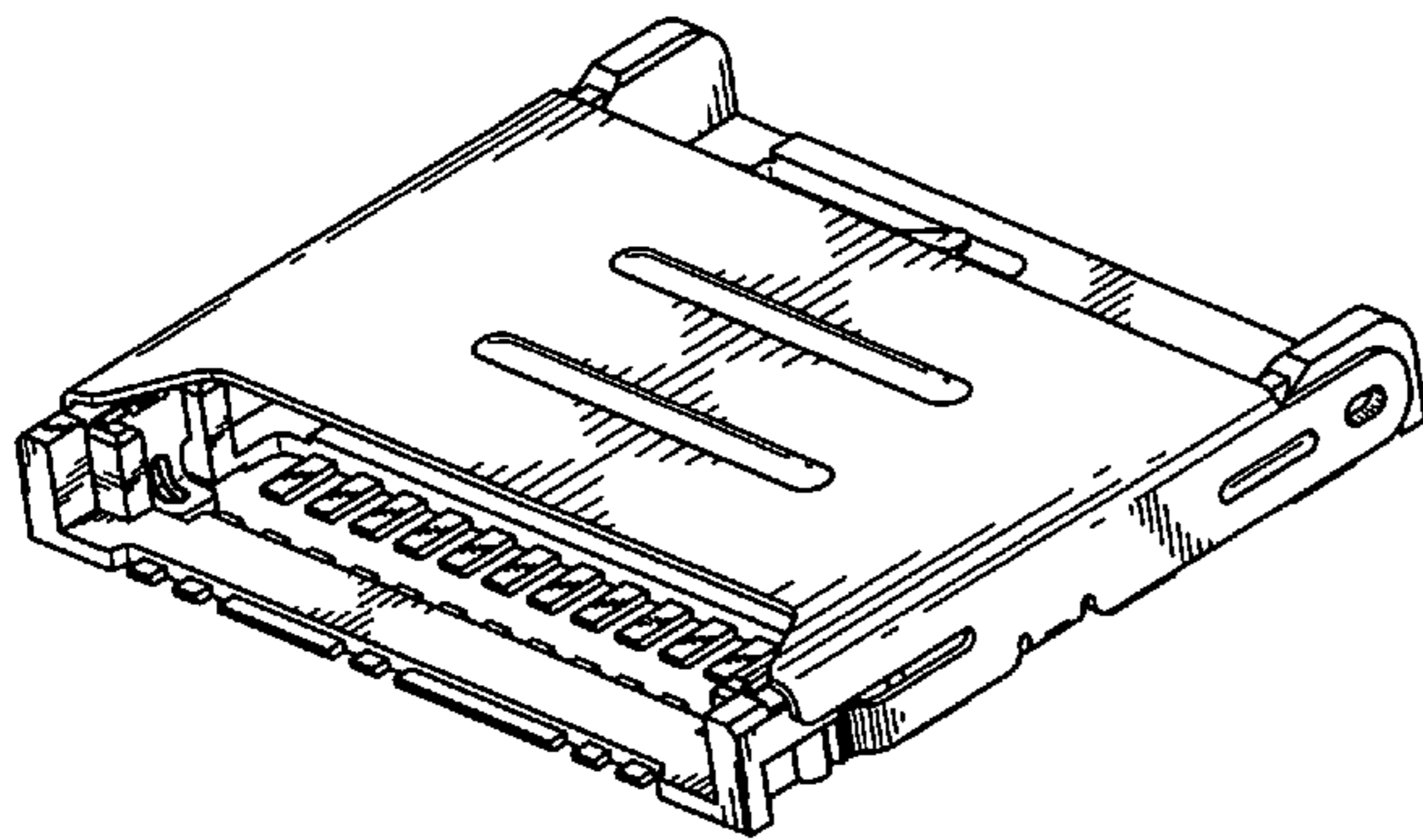
FIG. 8 is another perspective view of the card connector in the opening station.

(56) **References Cited**

**U.S. PATENT DOCUMENTS**

D520,957 S \* 5/2006 Chang et al. .... D13/147  
D523,860 S \* 6/2006 Xu et al. .... D14/436  
D544,842 S \* 6/2007 Nishio et al. .... D13/147  
D559,787 S \* 1/2008 Sasaki et al. .... D13/147  
D568,250 S \* 5/2008 Wu et al. .... D13/147

**1 Claim, 8 Drawing Sheets**



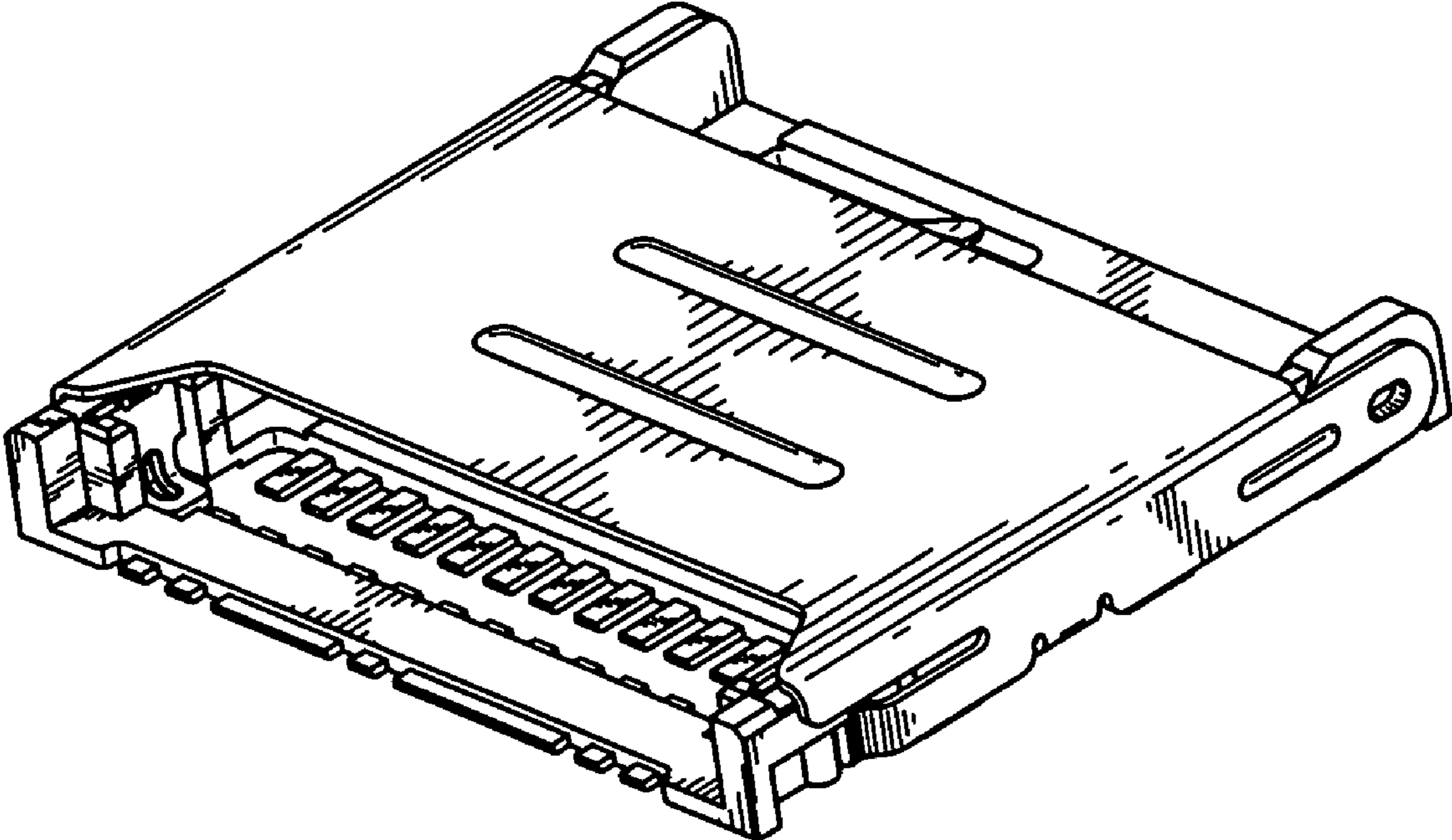


FIG. 1



FIG. 2



FIG. 3

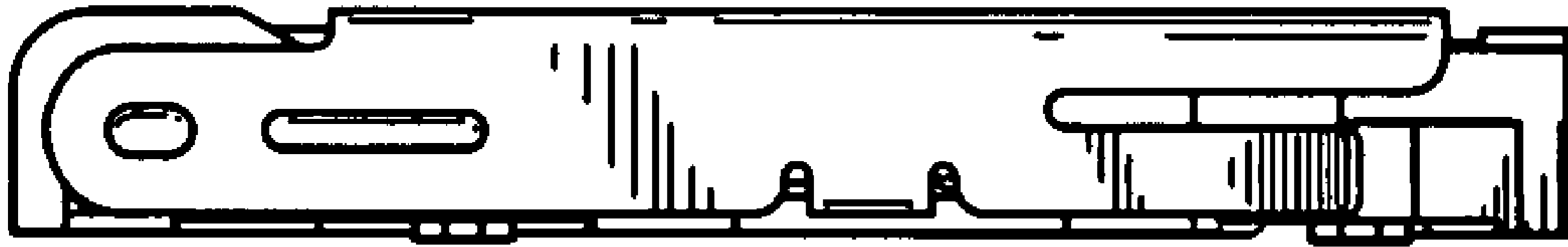


FIG. 4

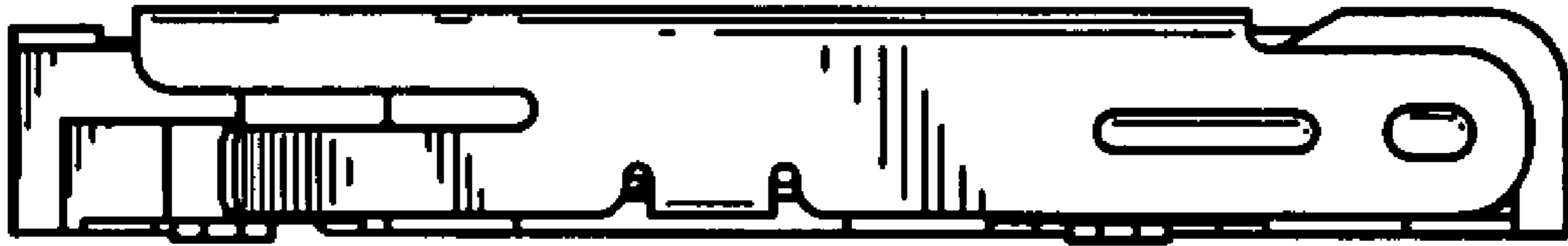


FIG. 5

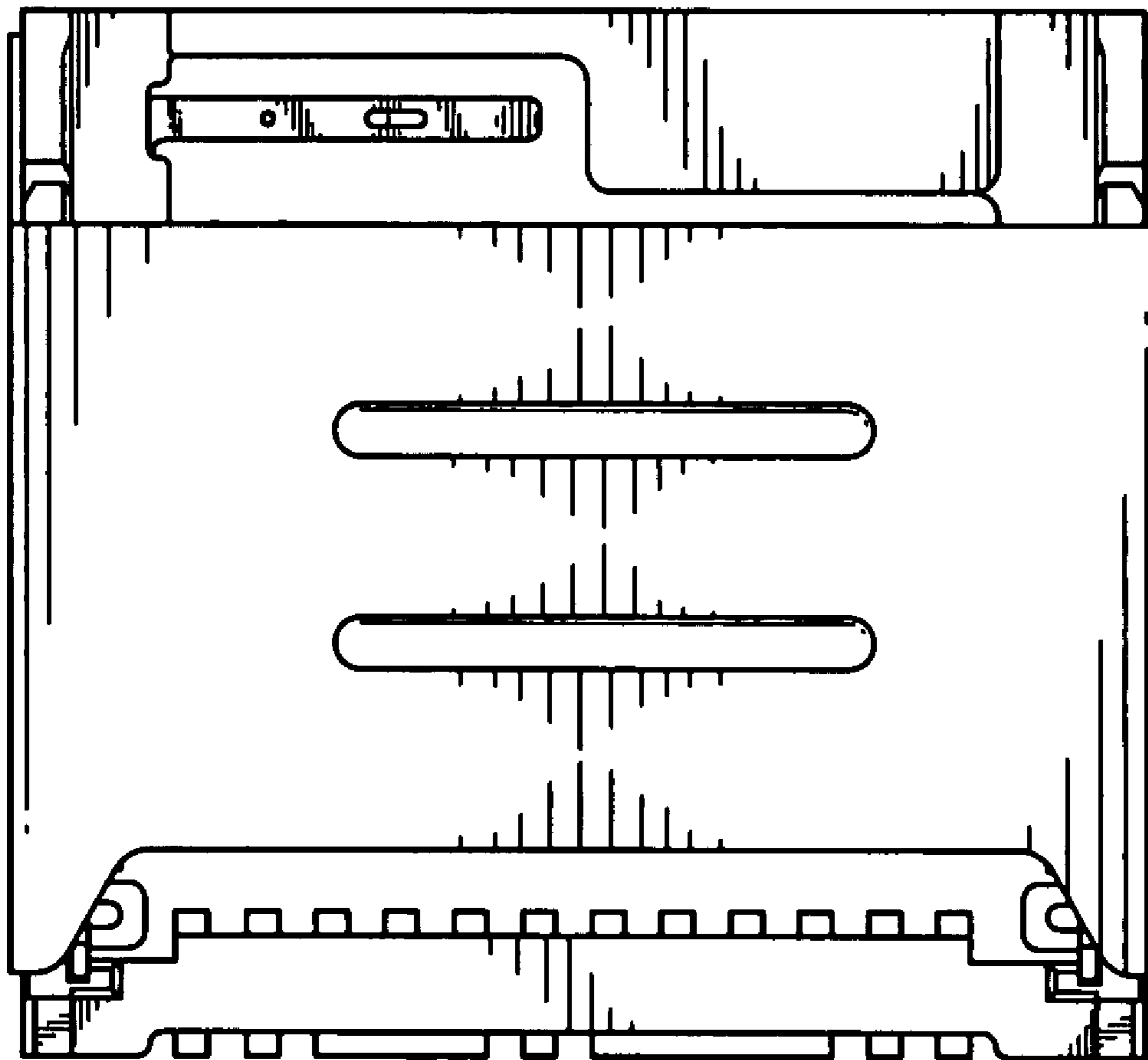


FIG. 6

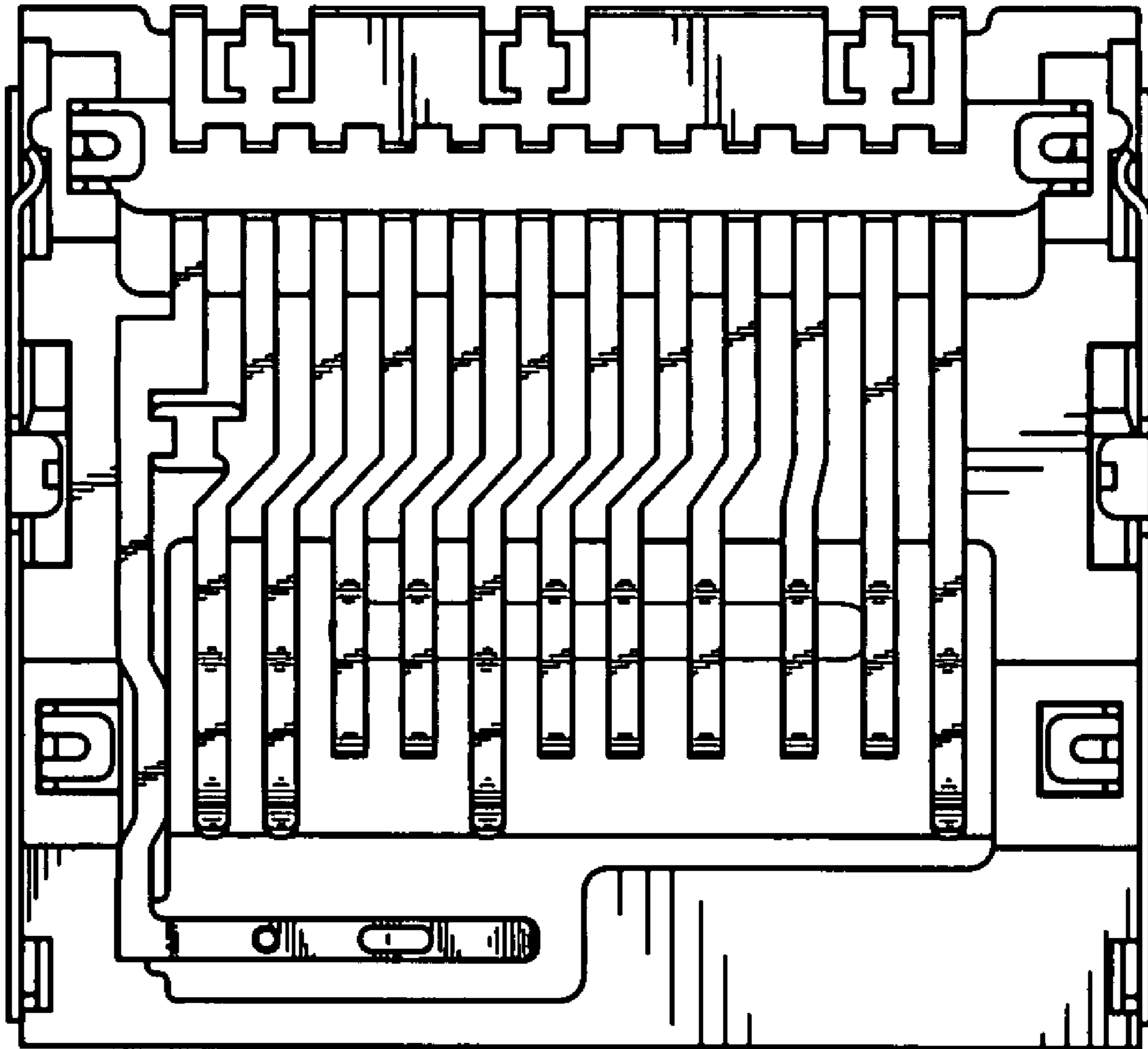


FIG. 7



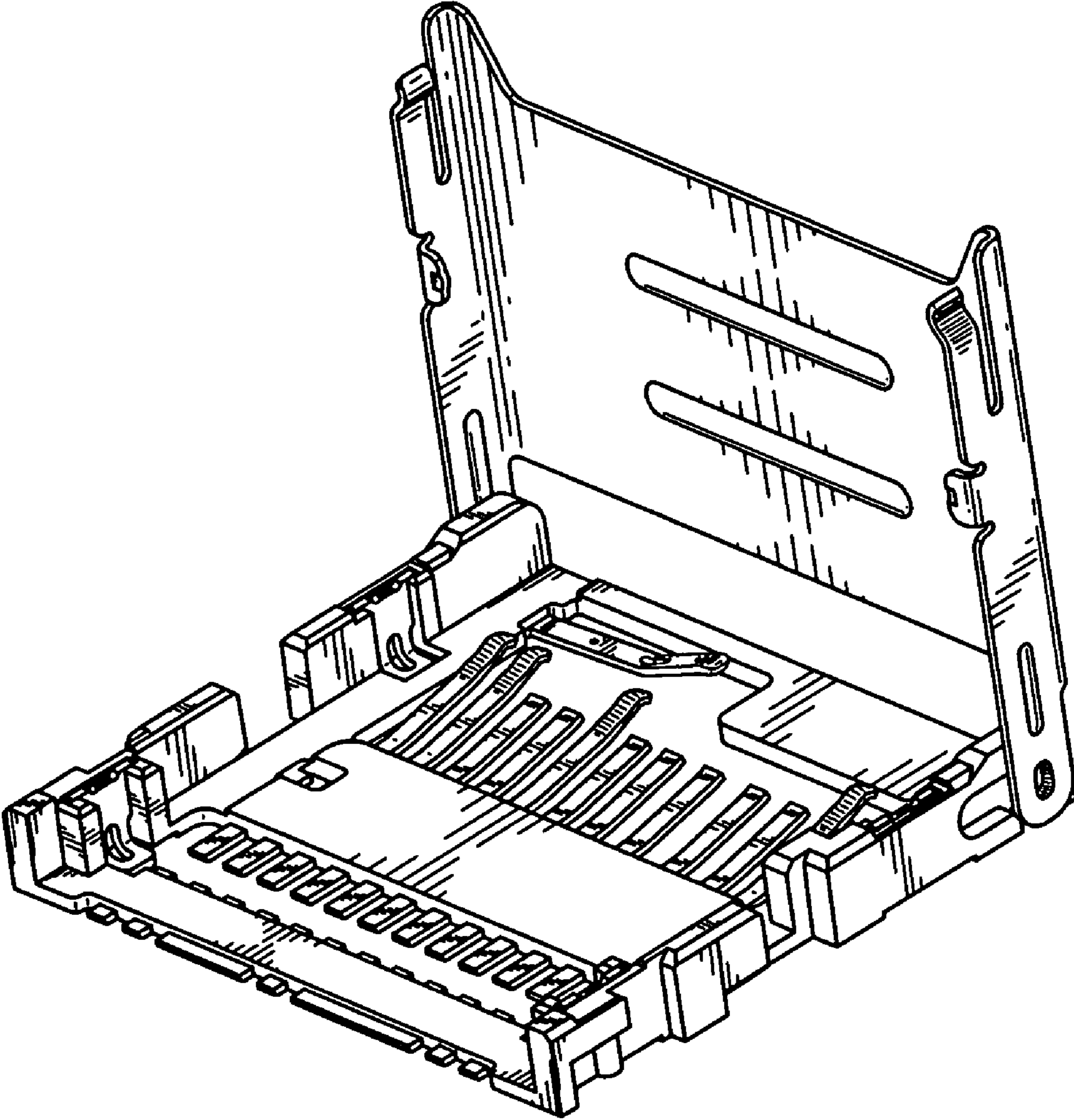


FIG. 8