



US00D580359S

(12) **United States Design Patent**
Su et al.

(10) **Patent No.:** **US D580,359 S**

(45) **Date of Patent:** **** Nov. 11, 2008**

(54) **ELECTRICAL CONNECTOR**

(75) Inventors: **Ping-Sheng Su**, Tu-cheng (TW); **Jie Cheng**, Kunshan (CN); **Wei-Tao Xu**, Kunshan (CN)

(73) Assignee: **Hon Hai Precision Ind. Co., Ltd.**, Taipei Hsien (TW)

(**) Term: **14 Years**

(21) Appl. No.: **29/257,298**

(22) Filed: **Mar. 31, 2006**

(30) **Foreign Application Priority Data**

Nov. 14, 2005 (CN) 2005 3 0133940

(51) **LOC (8) Cl.** **13-03**

(52) **U.S. Cl.** **D13/147**

(58) **Field of Classification Search** D13/146,
D13/147, 154, 184; 439/135, 291, 328, 626,
439/629, 636, 680

See application file for complete search history.

(56) **References Cited**

U.S. PATENT DOCUMENTS

5,393,235	A	*	2/1995	Ingalsbe	439/76.1
D415,107	S	*	10/1999	Avery et al.	D13/147
D479,200	S	*	9/2003	Liu et al.	D13/147
D508,024	S	*	8/2005	Wu	D13/147

D518,773	S	*	4/2006	Kurasaki	D13/133
D525,206	S	*	7/2006	Cheng et al.	D13/147
D543,506	S	*	5/2007	Peng	D13/147
D543,507	S	*	5/2007	Peng	D13/147
D563,874	S	*	3/2008	Hayashi	D13/147

* cited by examiner

Primary Examiner—Daniel D Bui

(74) *Attorney, Agent, or Firm*—Wei Te Chung

(57) **CLAIM**

The ornamental design for an electrical connector, as shown and described.

DESCRIPTION

FIG. 1 is a front, top and right side perspective view of an electrical connector showing our new design;

FIG. 2 is a front elevational view thereof;

FIG. 3 is a rear elevational view thereof;

FIG. 4 is a left side elevational view thereof;

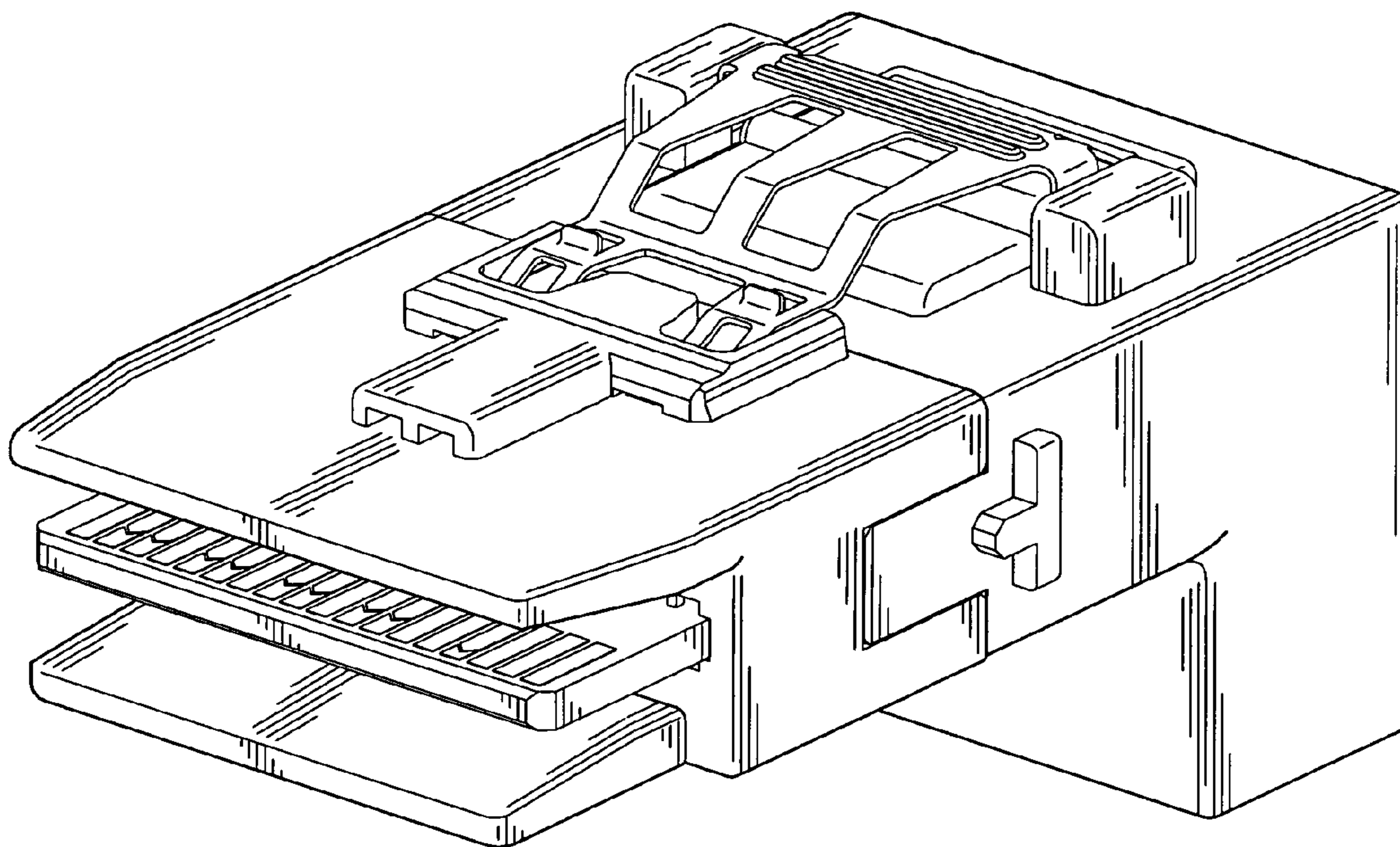
FIG. 5 is a right side elevational view thereof;

FIG. 6 is a top plan view thereof; and,

FIG. 7 is a bottom plan view thereof.

The broken line of elements in FIGS. 2 and 7 is included to show unclaimed subject matter only and forms no part of the claimed design.

1 Claim, 7 Drawing Sheets



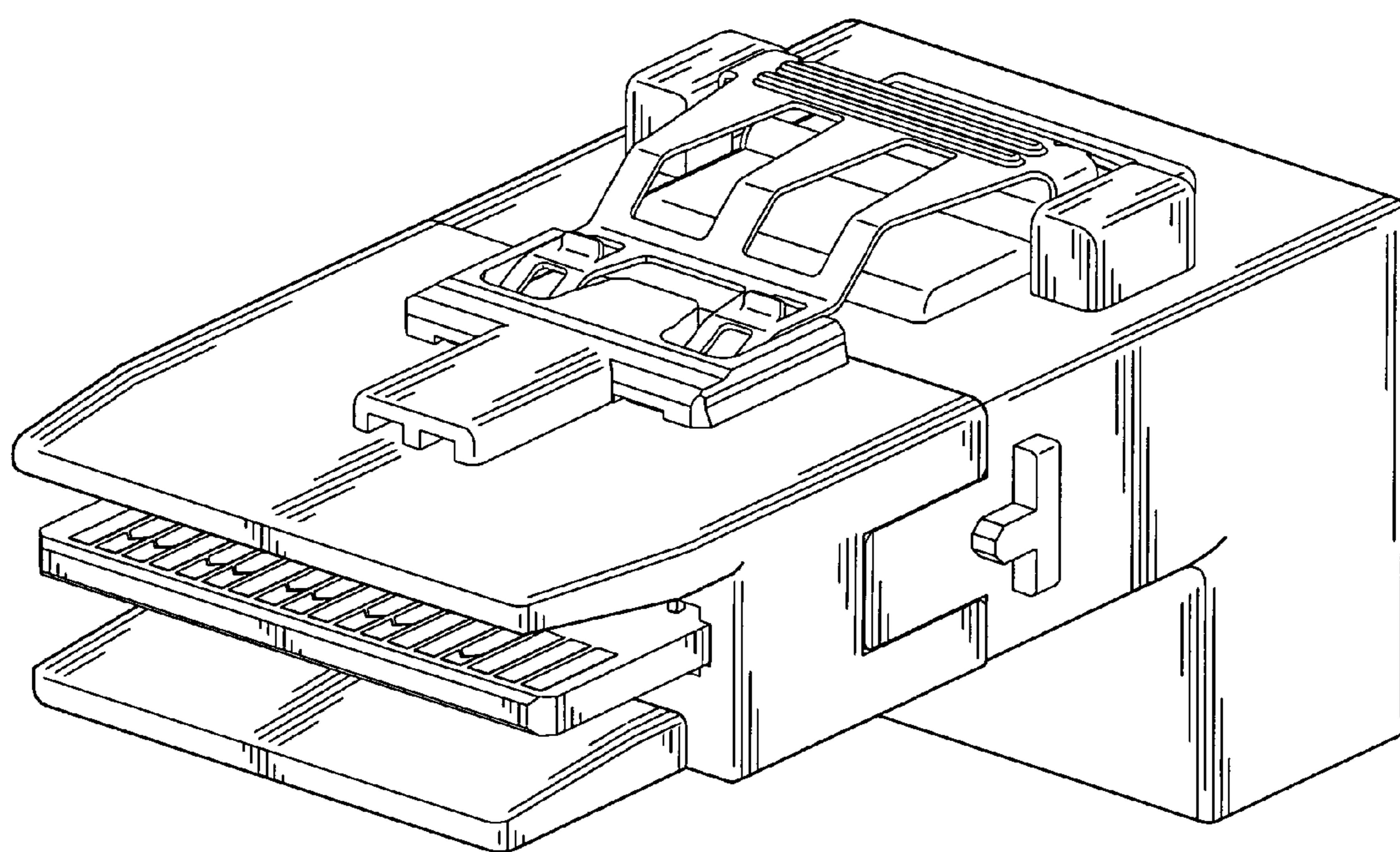


FIG. 1

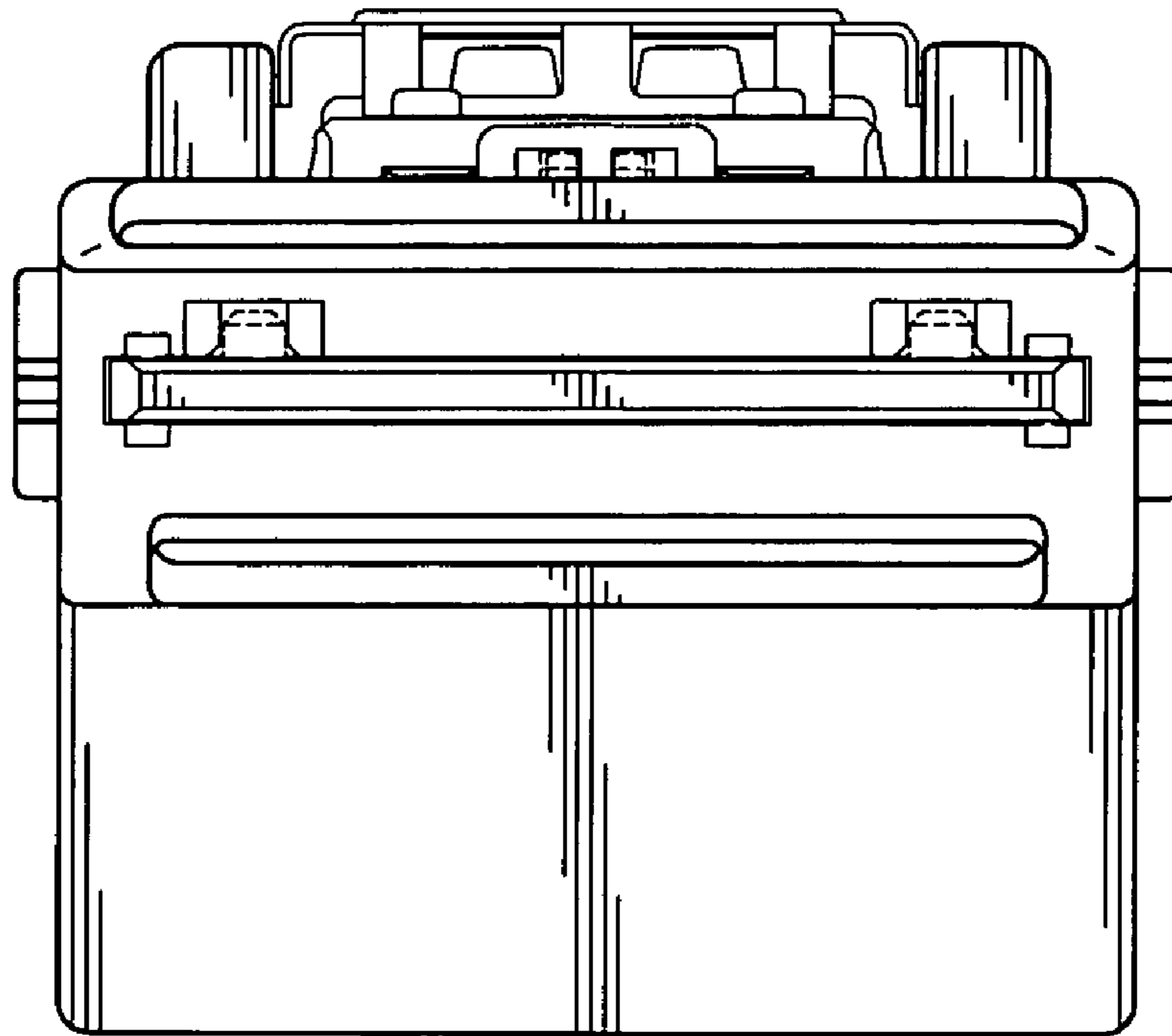


FIG. 2

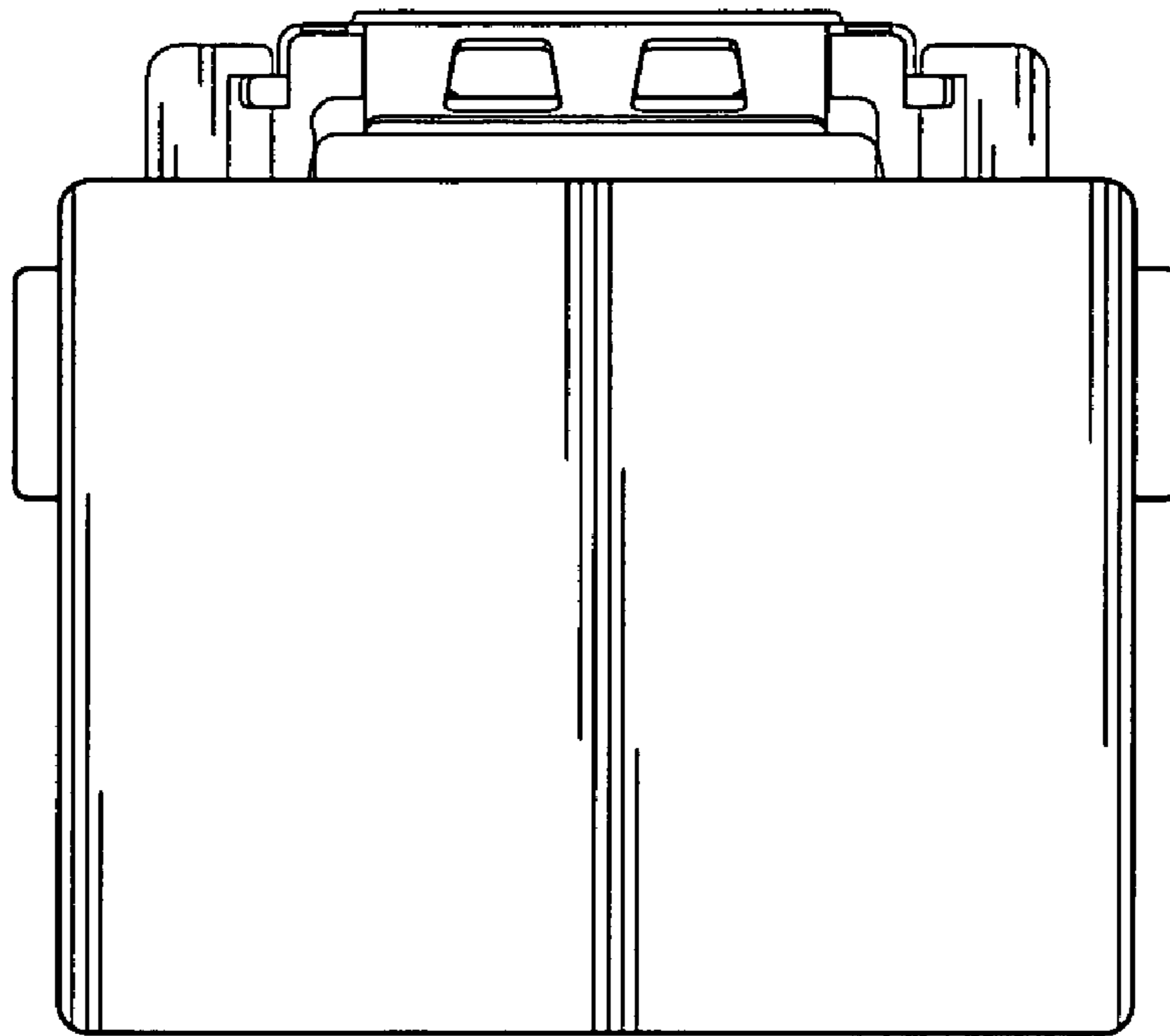


FIG. 3

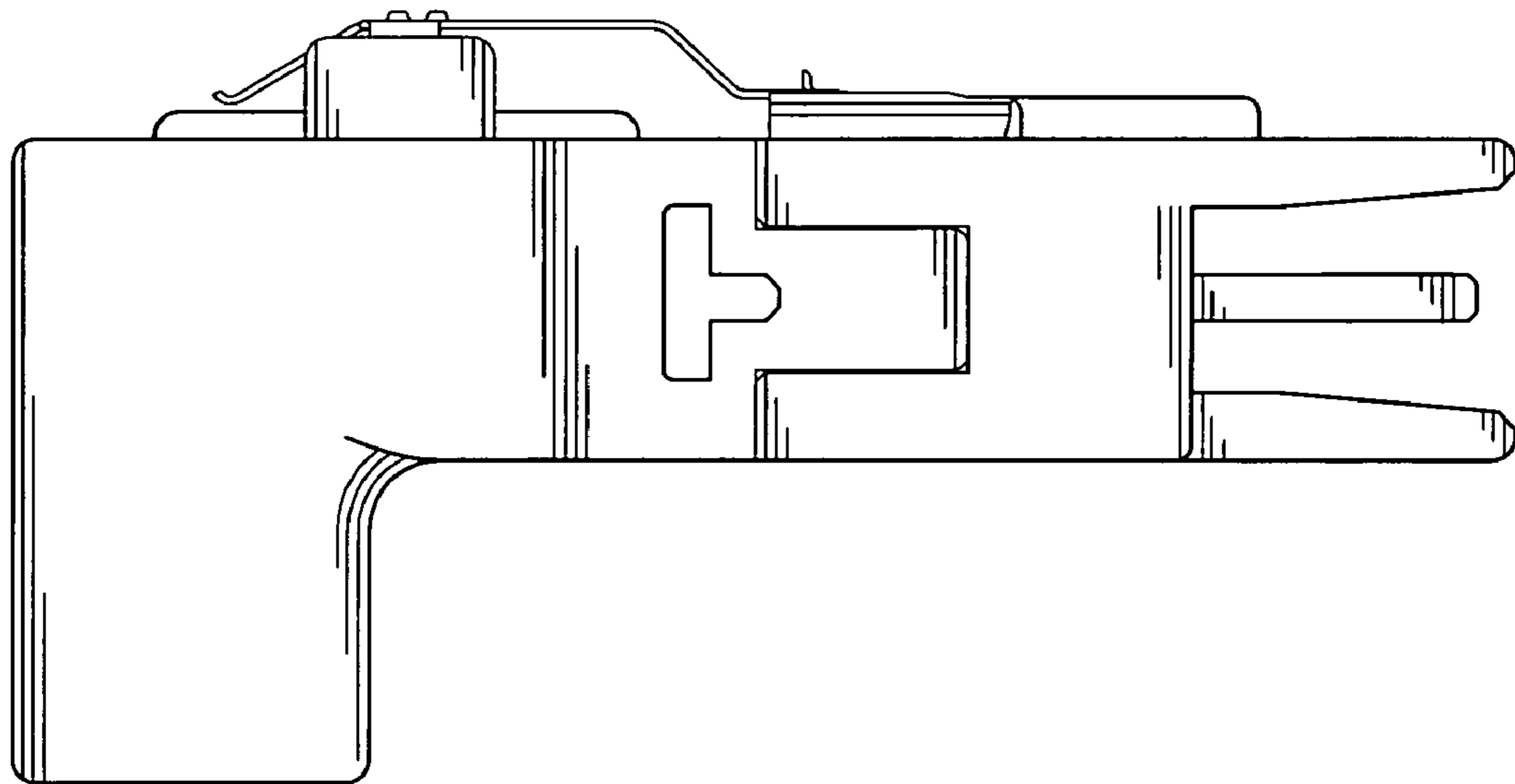


FIG. 4

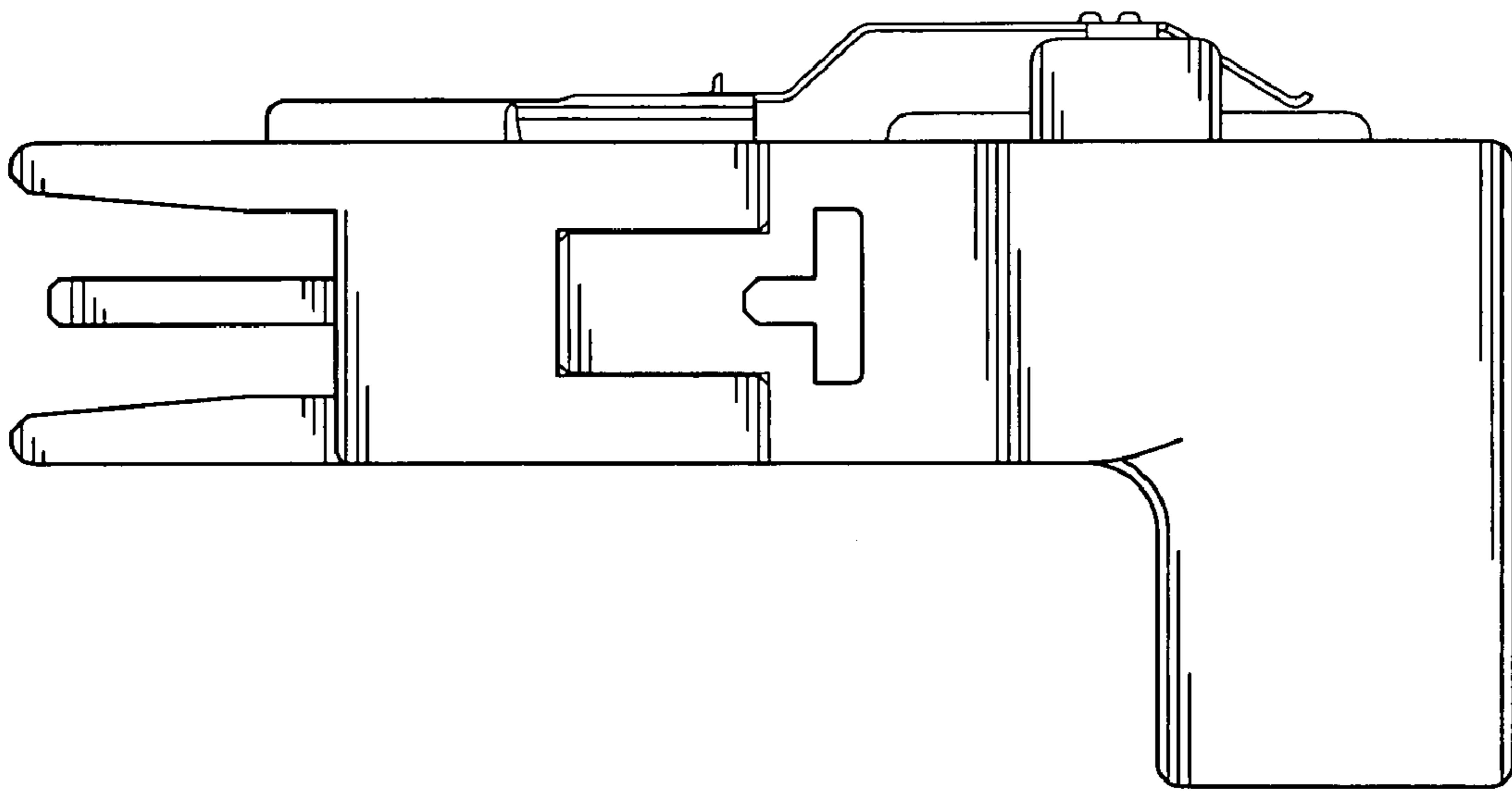


FIG. 5

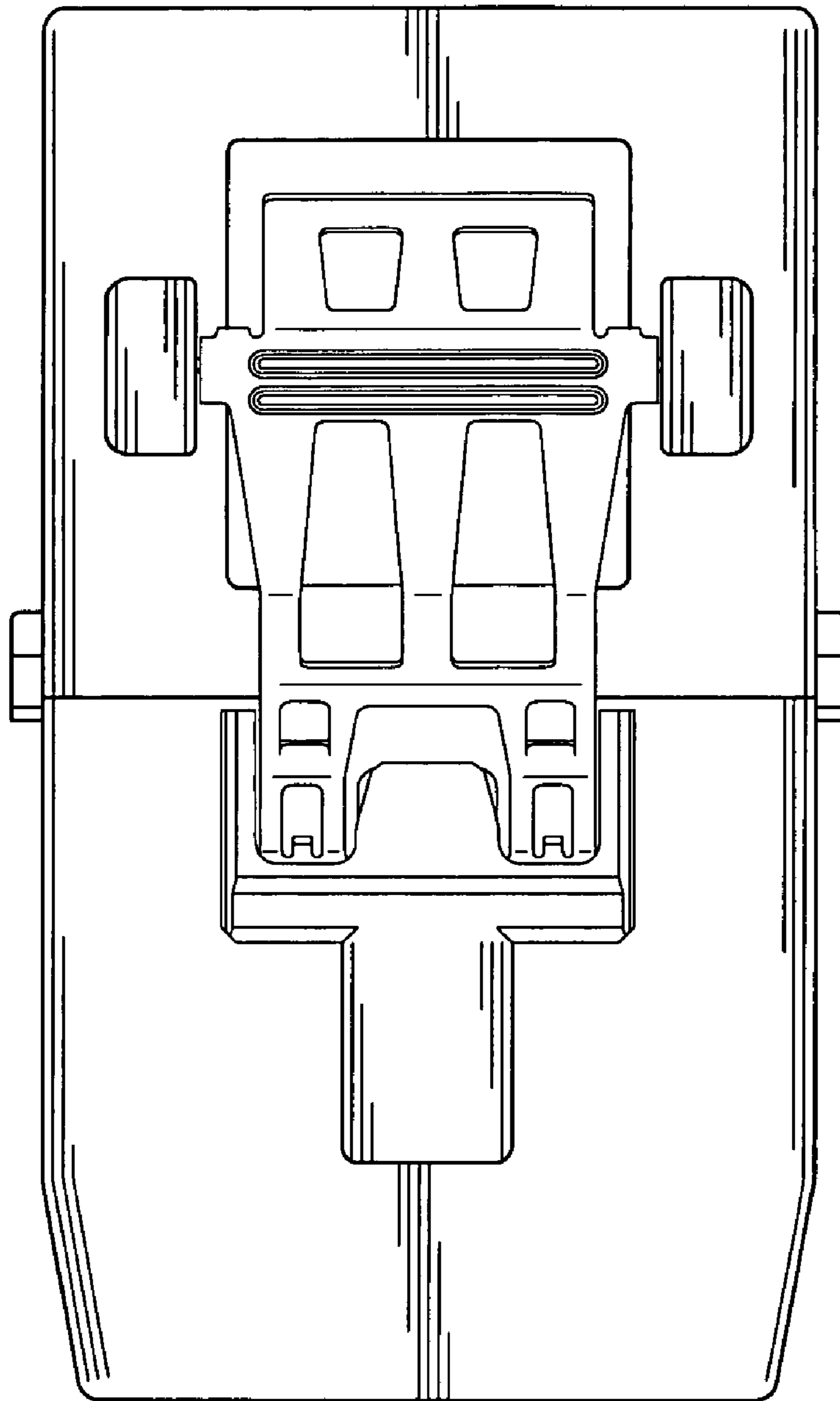


FIG. 6

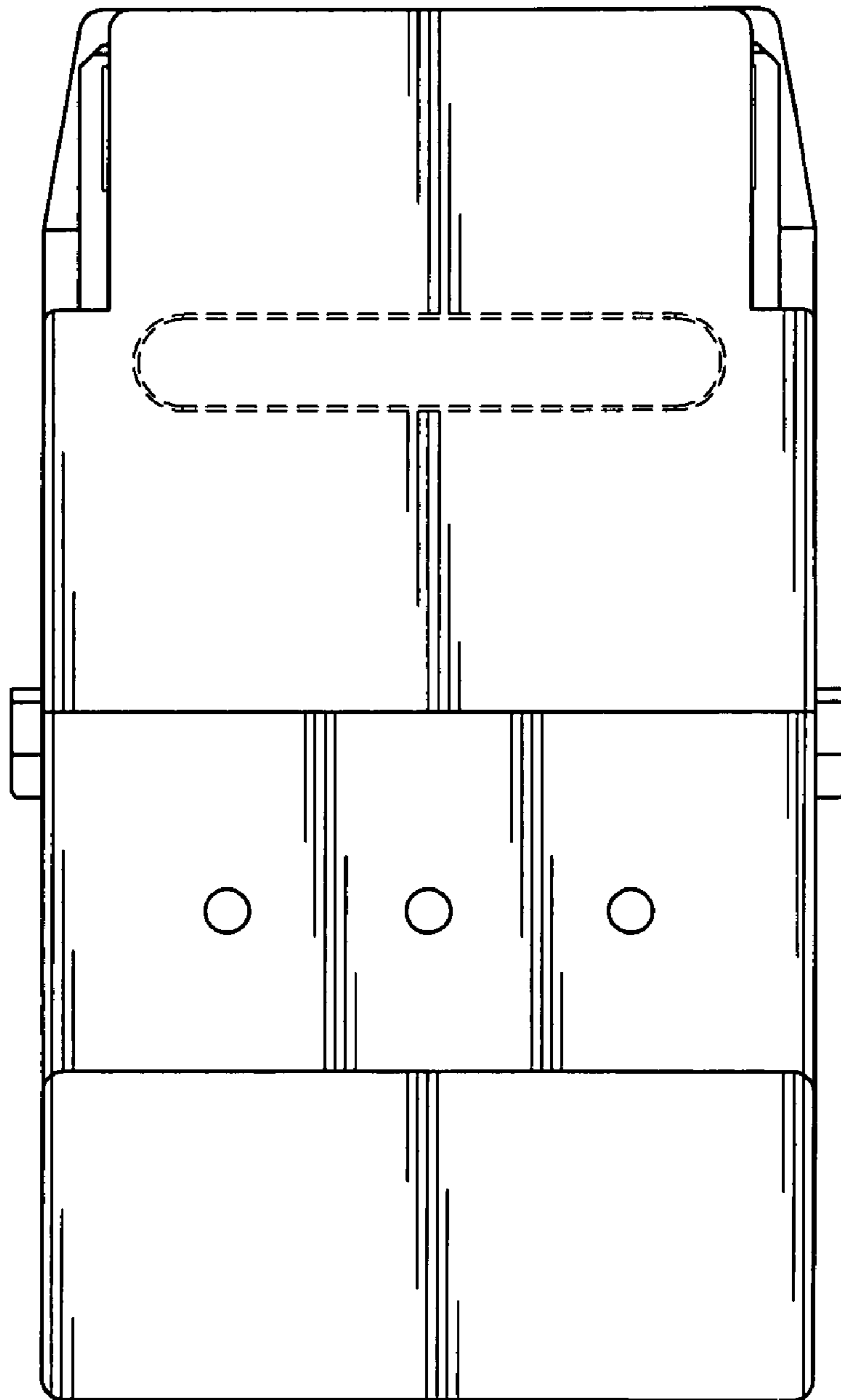


FIG. 7