



US00D580356S

(12) **United States Design Patent**  
**Shing et al.**

(10) **Patent No.:** **US D580,356 S**  
(45) **Date of Patent:** **\*\* Nov. 11, 2008**

(54) **RCA PLUG**  
(75) Inventors: **Yuen Kim Shing**, Hong Kong (HK);  
**Gonzalo Palenzuela**, Miami, FL (US);  
**Zhong Xin Hang**, Hangzhou (CN)  
(73) Assignee: **Okura USA, Inc.**, Miami, FL (US)  
(\*\*) Term: **14 Years**  
(21) Appl. No.: **29/265,101**  
(22) Filed: **Aug. 24, 2006**  
(51) **LOC (8) Cl.** ..... **13-03**  
(52) **U.S. Cl.** ..... **D13/133**  
(58) **Field of Classification Search** ..... D13/133,  
D13/149, 151, 153, 154, 184, 199, 578, 675,  
D13/583-584, 668-669, 750-751, 825, 851,  
D13/889

D403,302 S 12/1998 Awbrey  
D405,050 S 2/1999 Lee  
D413,569 S 9/1999 Peterson et al.  
D414,462 S 9/1999 Peterson et al.  
D425,023 S 5/2000 Awbrey  
D434,009 S 11/2000 Lee  
D435,512 S 12/2000 Cheng  
D435,513 S \* 12/2000 Cheng ..... D13/133  
D436,077 S 1/2001 Cheng  
D450,297 S 11/2001 Lee  
D453,322 S 2/2002 Lee  
D456,363 S 4/2002 Lee  
6,406,313 B1 6/2002 Victor  
D519,077 S \* 4/2006 Disbennett et al. .... D13/133  
D528,506 S \* 9/2006 Taguchi ..... D13/133  
D530,669 S 10/2006 Shing  
D544,837 S \* 6/2007 Disbennett et al. .... D13/133

See application file for complete search history.

\* cited by examiner

*Primary Examiner*—Daniel D Bui  
(74) *Attorney, Agent, or Firm*—Malloy & Malloy, P.A.

(56) **References Cited**

U.S. PATENT DOCUMENTS

1,952,188 A 3/1934 Watts  
D137,704 S 4/1944 Drury  
D188,102 S \* 6/1960 Yarick, Jr. .... D13/133  
3,366,917 A 1/1968 Karol  
D305,532 S 1/1990 Gallo et al.  
D315,543 S \* 3/1991 Soren et al. .... D13/144  
5,064,268 A 11/1991 Morency et al.  
D325,023 S 3/1992 Lee et al.  
D328,280 S 7/1992 Lee  
D329,042 S \* 9/1992 van der Burgh ..... D13/133  
D334,172 S \* 3/1993 Wilcoxon ..... D13/133  
D355,639 S \* 2/1995 Cheng ..... D13/133  
D366,863 S 2/1996 Lee  
D367,036 S 2/1996 Lee  
5,529,513 A 6/1996 Lee  
D371,762 S 7/1996 Lee  
D374,862 S 10/1996 Lee  
D376,580 S 12/1996 Lee

(57) **CLAIM**

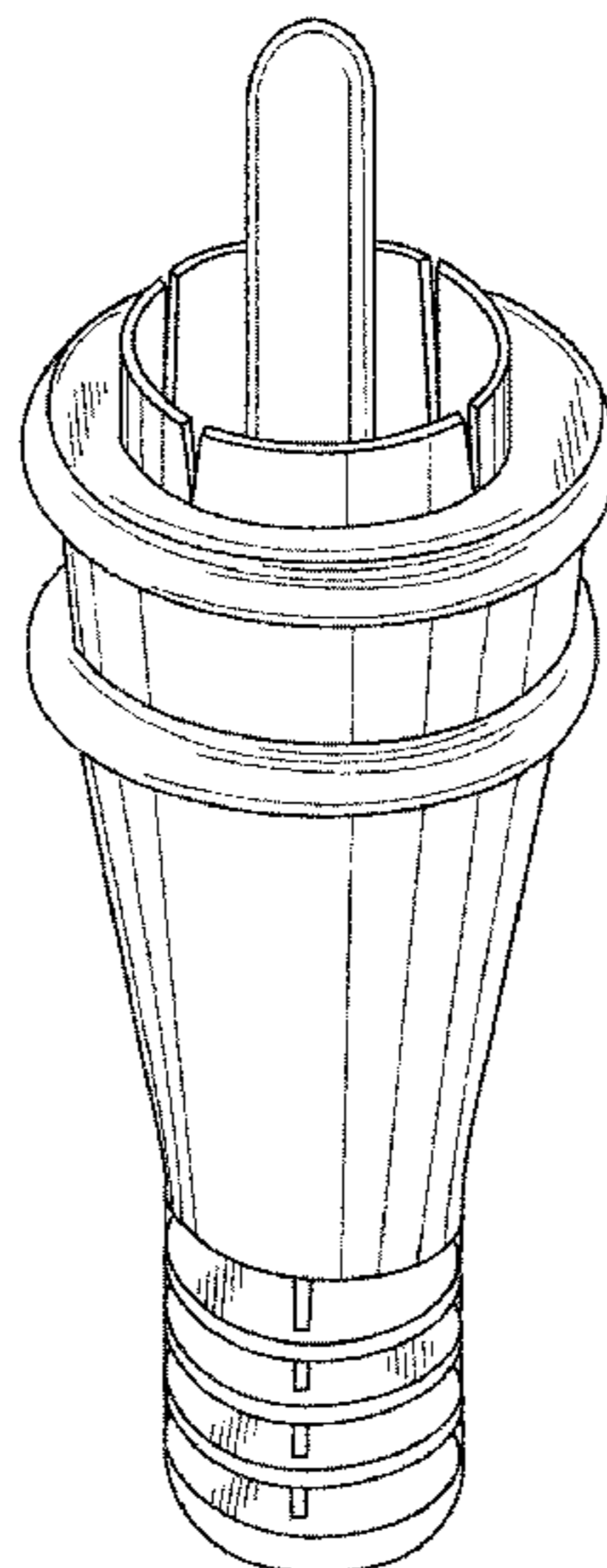
The ornamental design for a RCA plug, as shown and described.

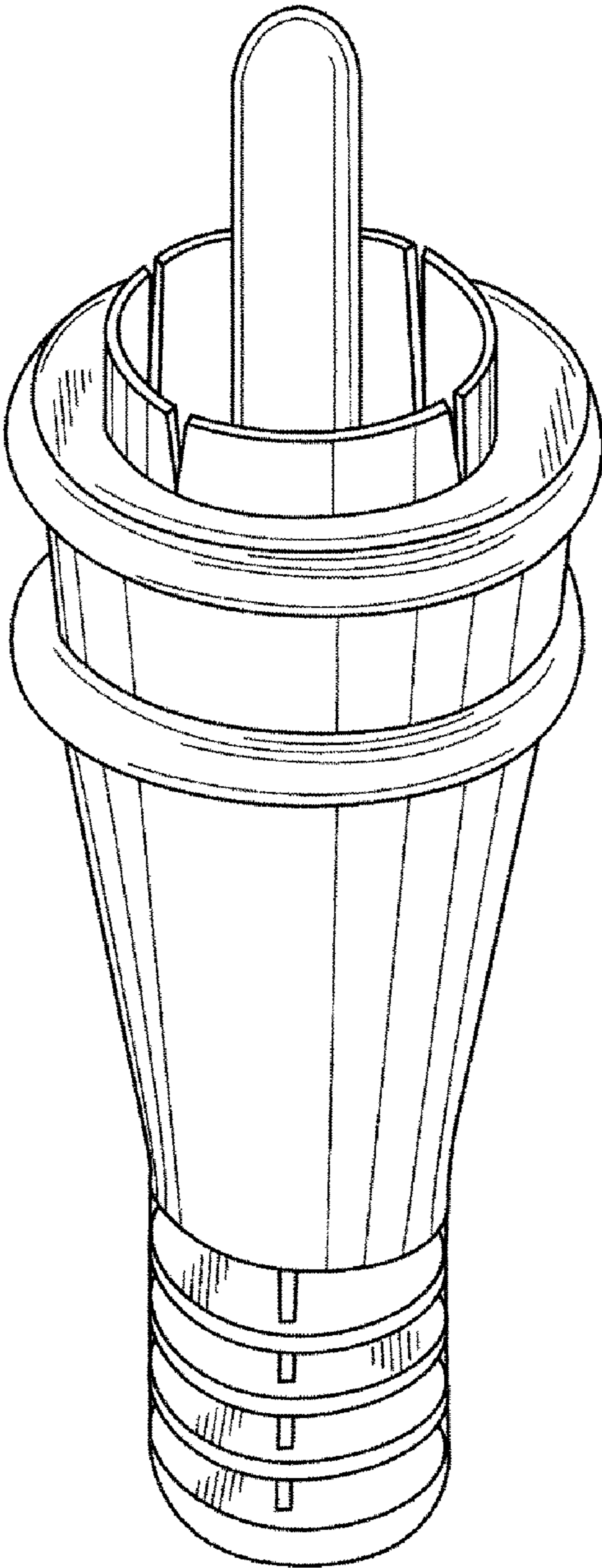
**DESCRIPTION**

FIG. 1 is a top perspective view of a RCA plug, showing our new design;  
FIG. 2 is a front elevation view thereof;  
FIG. 3 is a right side elevation view thereof;  
FIG. 4 is a top plan view thereof;  
FIG. 5 is a left side elevation view thereof;  
FIG. 6 is a bottom plan view thereof; and,  
FIG. 7 is a rear elevation view thereof.

The broken line showing of the environment is for illustrative purposes only and forms no part of the claimed design.

**1 Claim, 3 Drawing Sheets**





**FIG1**

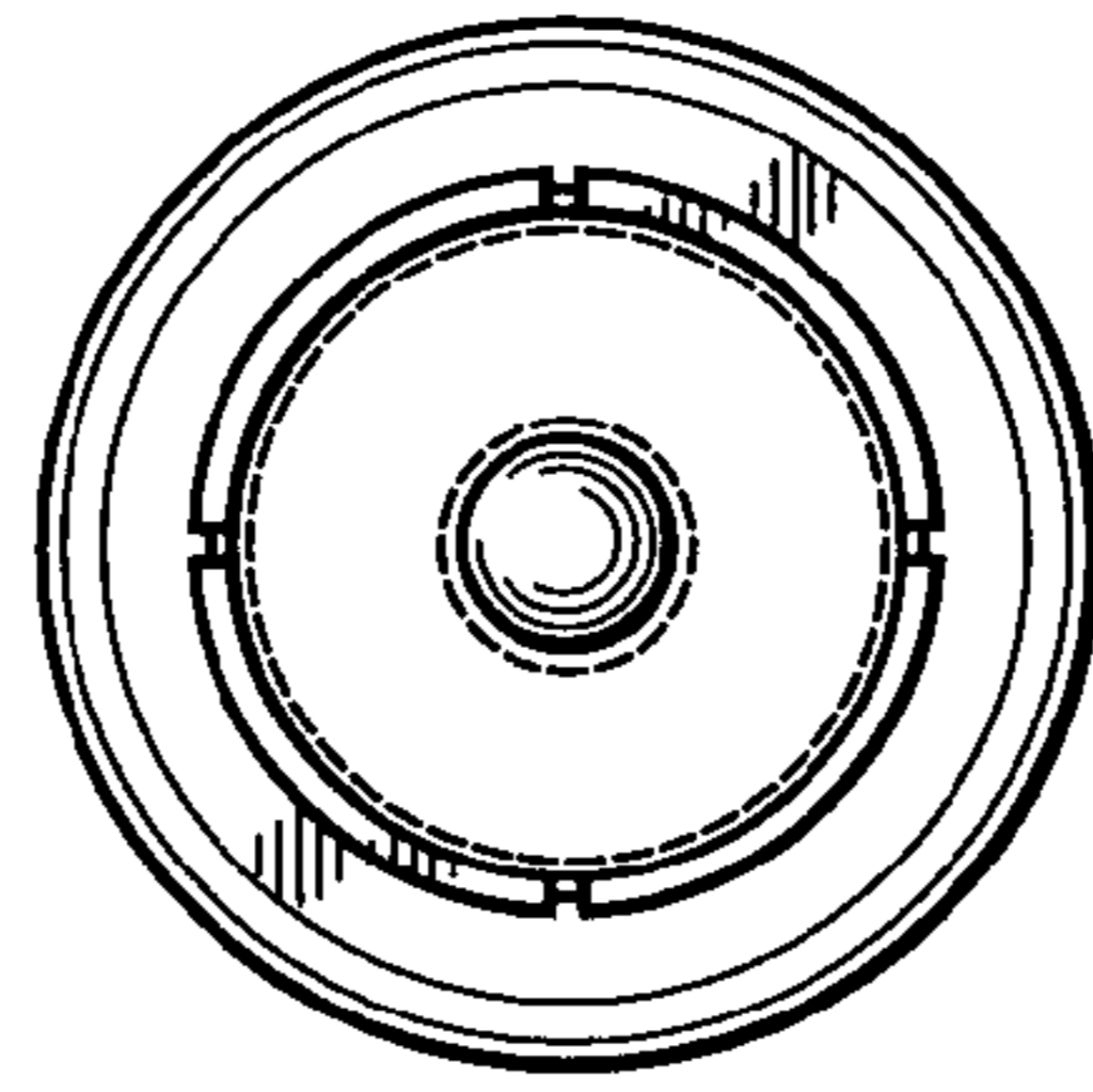


FIG. 4

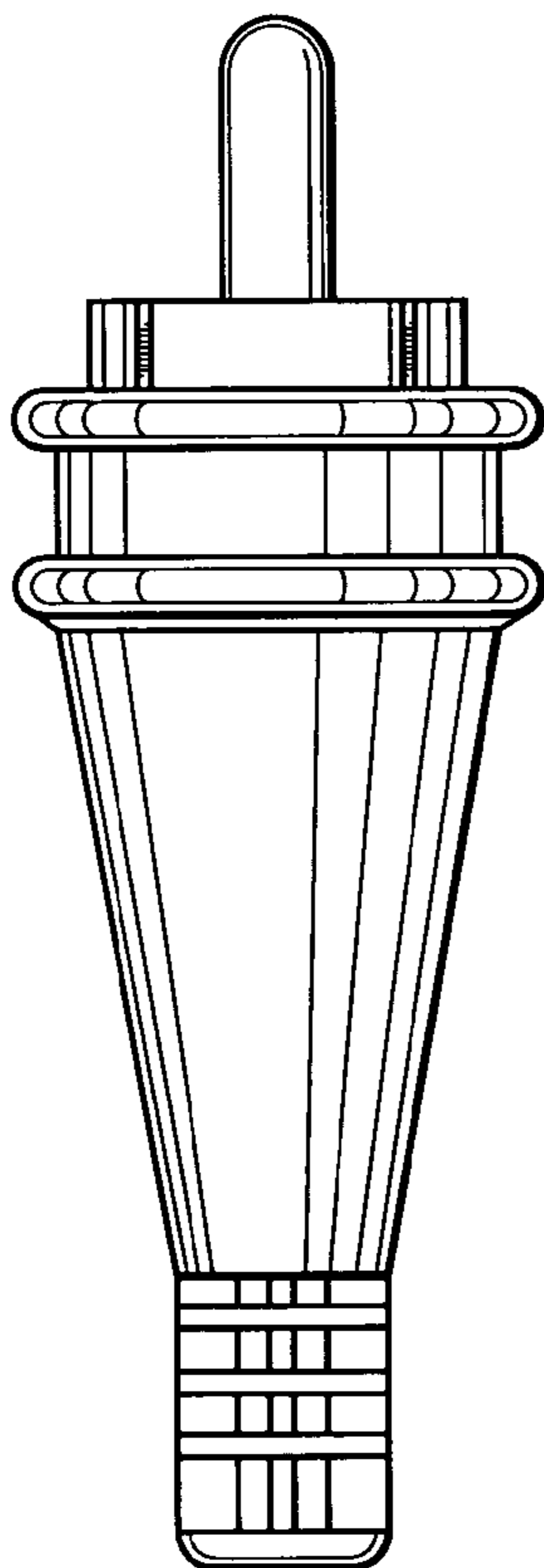


FIG. 3

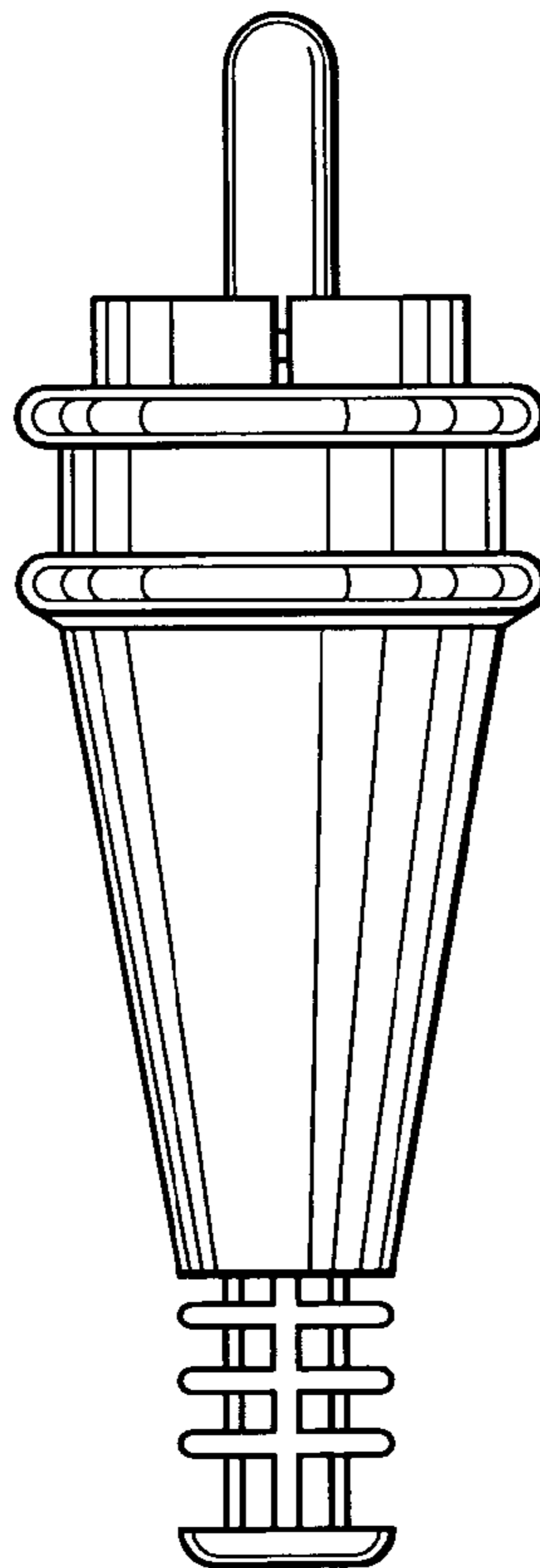


FIG. 2

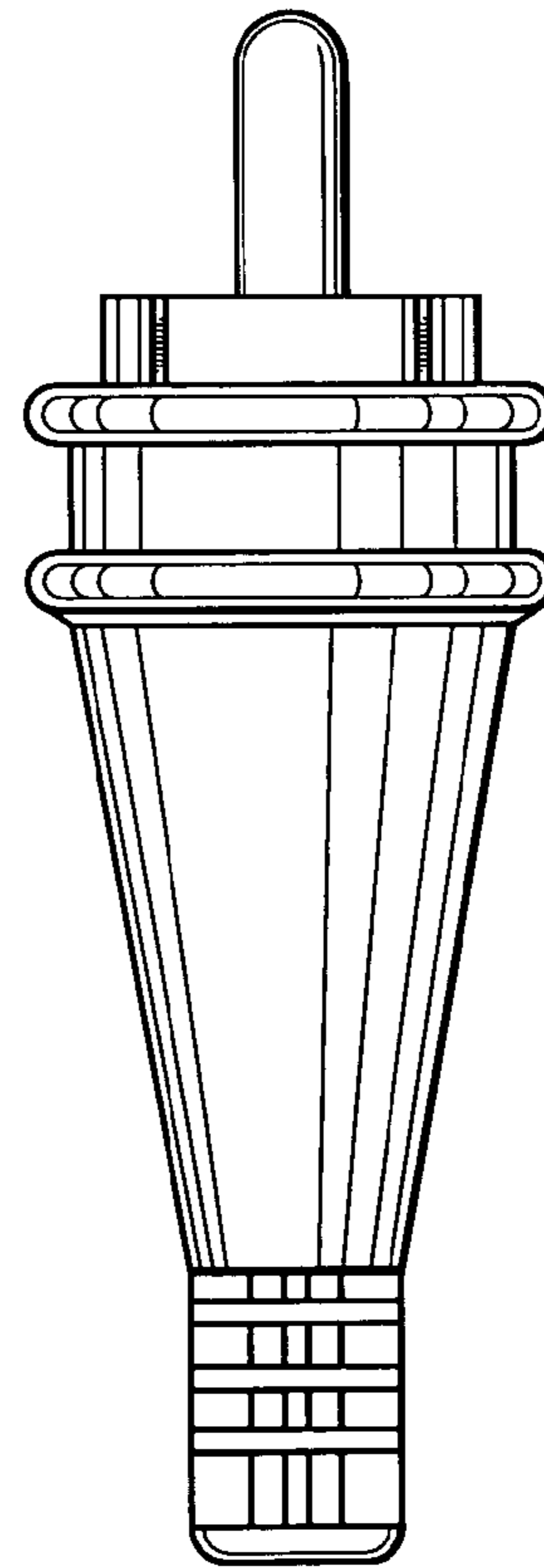


FIG. 5

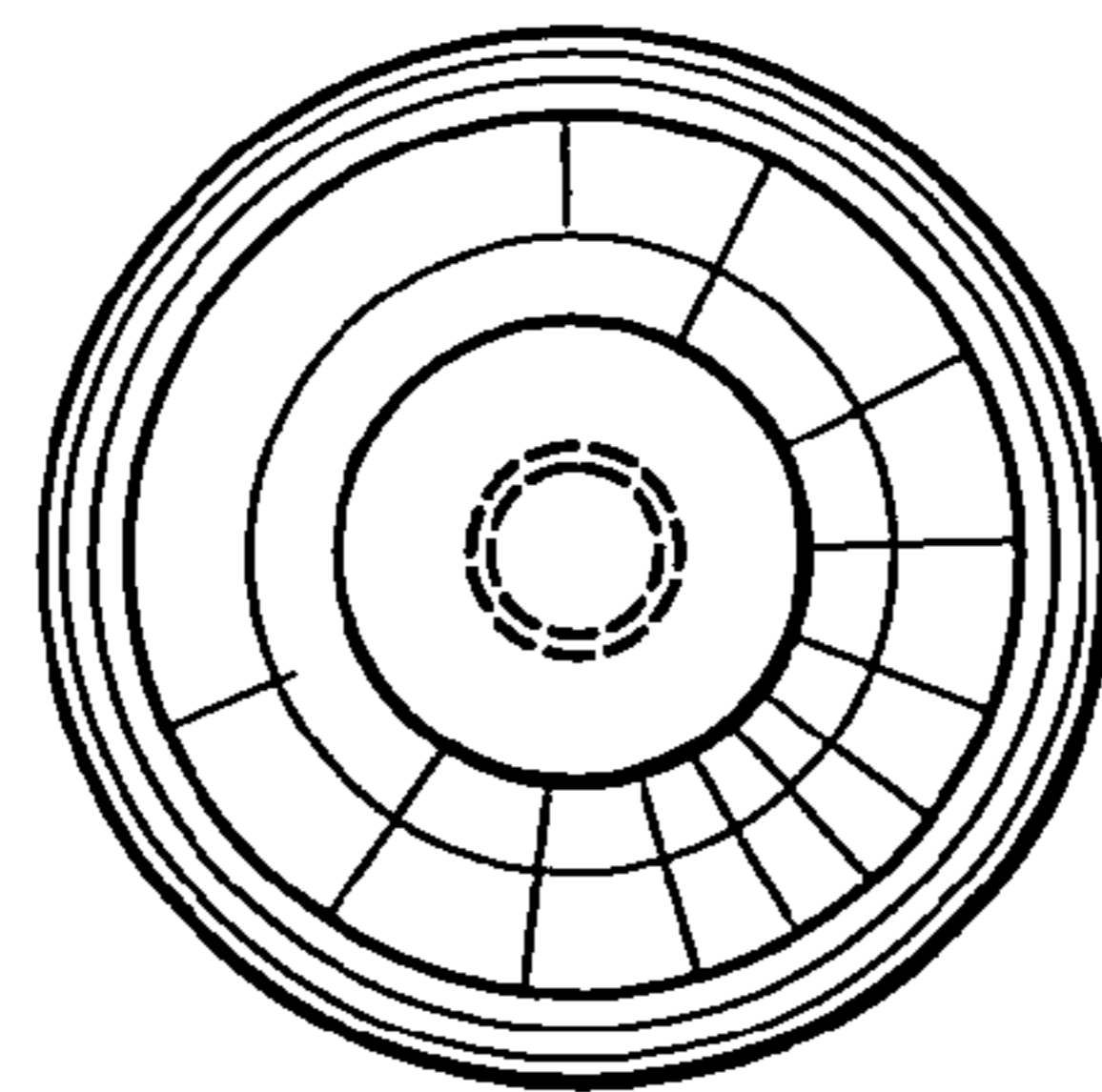
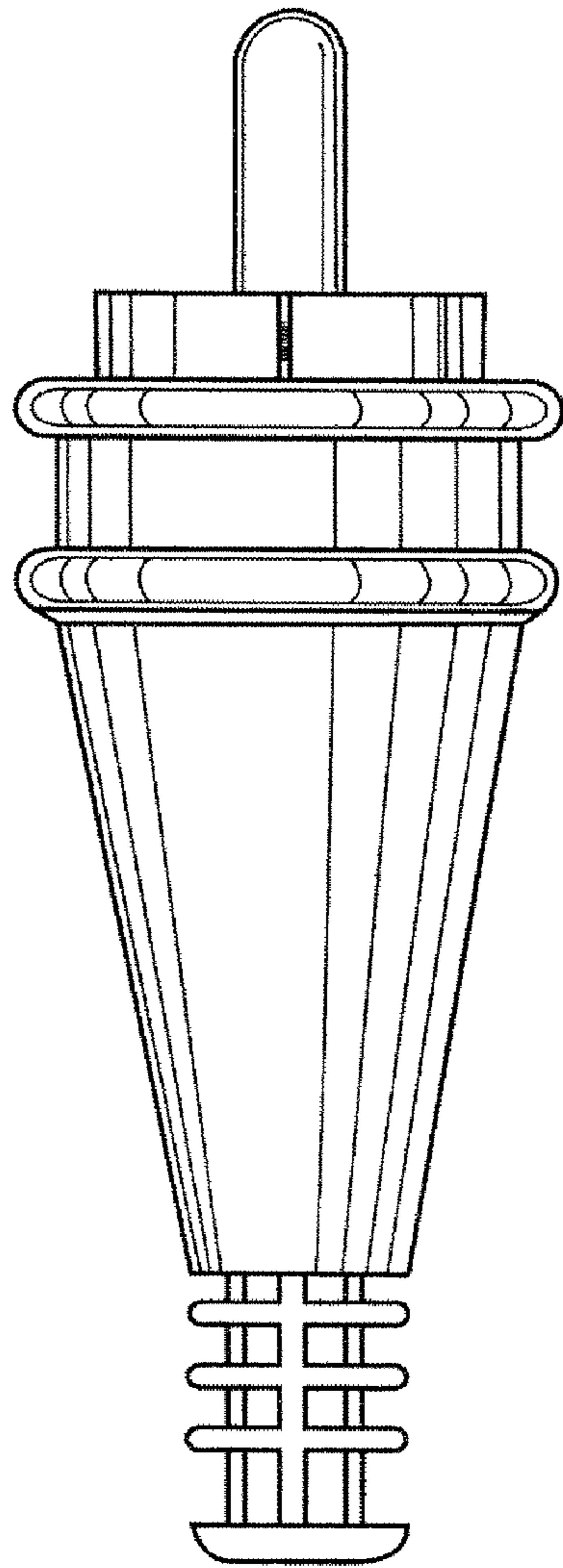


FIG. 6



**FIG 7**