



US00D580354S

(12) **United States Design Patent**  
**Dunbar et al.**

(10) **Patent No.:** **US D580,354 S**  
(45) **Date of Patent:** **\*\* Nov. 11, 2008**

(54) **UNIVERSAL PORTABLE-DEVICE CHARGER**

D401,216 S 11/1998 Person et al.

(75) Inventors: **Grant Iverson Dunbar**, North Vancouver (CA); **Robert Bruce Prior**, Burnaby (CA); **Peter Tai Kwong Cheung**, Richmond (CA); **Alexander Jeffrey Feldman**, Vancouver (CA); **Robbie Gordon Roberts**, Port Moody (CA)

(Continued)

**FOREIGN PATENT DOCUMENTS**

CA 110486 2/2006

**OTHER PUBLICATIONS**

Copy of Slide shown to a third party approximately Jun. 30, 2006, of Xantrex Powerpack 400iX.

*Primary Examiner*—Jennifer Rivard  
*Assistant Examiner*—Rosemary K Tarcza

(73) Assignee: **Xantrex International**, St. Michael (BB)

(\*\*) Term: **14 Years**

(21) Appl. No.: **29/287,113**

(22) Filed: **Jun. 28, 2007**

(51) **LOC (8) Cl.** ..... **13-02**

(52) **U.S. Cl.** ..... **D13/108**

(58) **Field of Classification Search** ..... D13/107–110, D13/118–119, 184; D14/251, 253, 432, D14/434; 320/107–115

See application file for complete search history.

(56) **References Cited**

**U.S. PATENT DOCUMENTS**

5,019,767 A	5/1991	Shirai et al.	
D331,220 S	* 11/1992	Tsuchiya	D13/107
D339,563 S	* 9/1993	Usami	D13/107
D341,567 S	11/1993	Acker et al.	
D348,427 S	* 7/1994	Ohmaki et al.	D13/107
D349,682 S	8/1994	Hunziker	
D352,941 S	11/1994	Bolton, Jr.	
5,399,445 A	3/1995	Tinker	
D356,996 S	4/1995	Henderson et al.	
D361,978 S	9/1995	Shirai et al.	
D375,937 S	11/1996	Mergenthaler et al.	
5,648,712 A	7/1997	Hahn	
D383,115 S	9/1997	Nagele et al.	
D395,897 S	7/1998	Monma et al.	

(57) **CLAIM**

The ornamental design for universal portable-device charger, as shown and described.

**DESCRIPTION**

FIG. 1 is a perspective view of a universal portable-device charger according to our new design;

FIG. 2 is a front view of the universal portable-device charger of FIG. 1;

FIG. 3 is a right side view of universal portable-device charger of FIG. 1;

FIG. 4 is a left side view of the universal portable-device charger of FIG. 1;

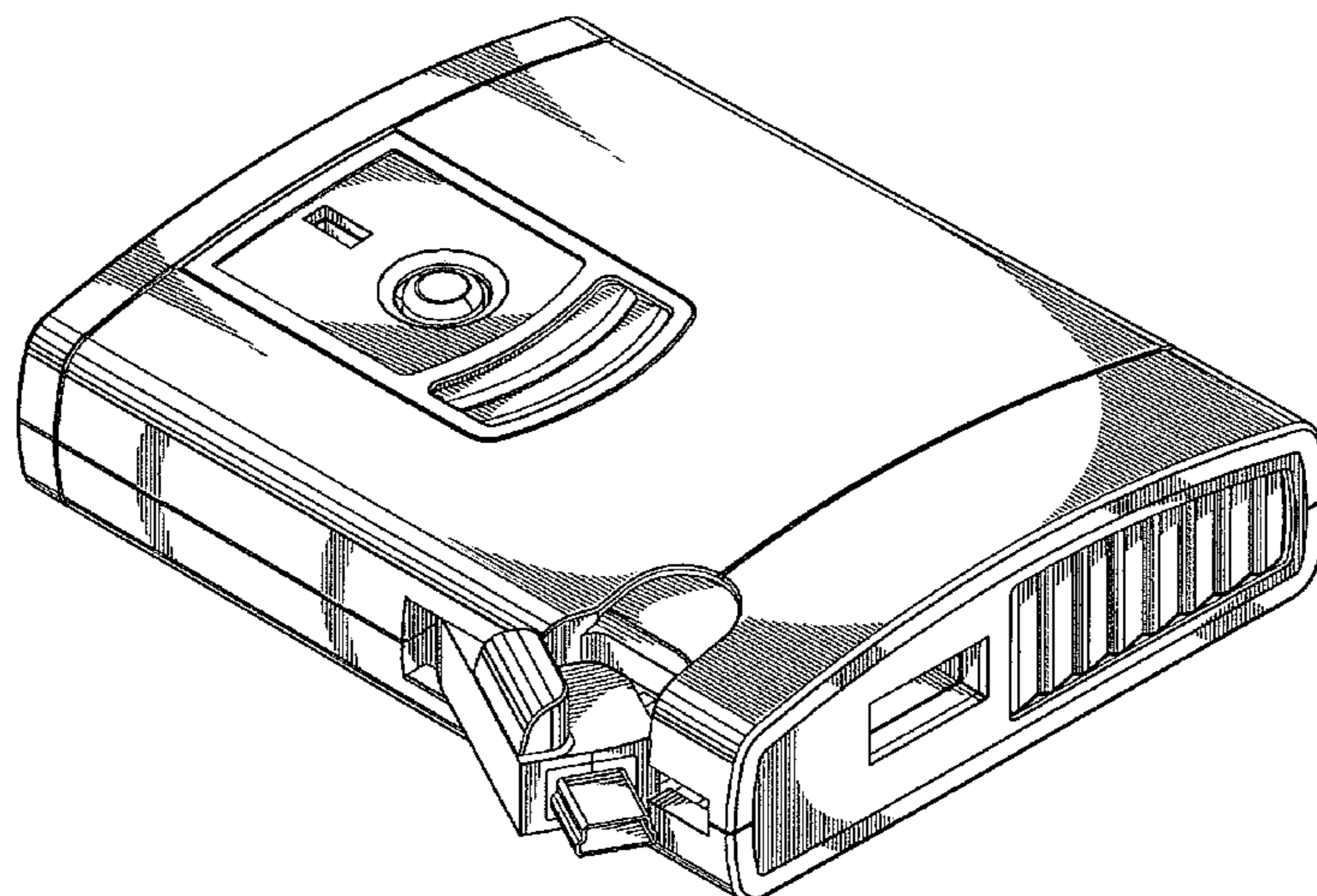
FIG. 5 is a top view of the universal portable-device charger of FIG. 1;

FIG. 6 is a bottom view of the universal portable-device charger of FIG. 1; and,

FIG. 7 is a rear view of the universal portable-device charger of FIG. 1;

The broken line showing of the environment is for illustrative purposes only and forms no part of the claimed design.

**1 Claim, 5 Drawing Sheets**



# US D580,354 S

Page 2

---

## U.S. PATENT DOCUMENTS

D408,823 S	4/1999	Kirby	
D412,487 S *	8/1999	Nagele et al. ....	D13/108
D413,567 S	9/1999	Person et al.	
5,949,640 A	9/1999	Cameron et al.	
D429,225 S	8/2000	Halliday	
D448,002 S	9/2001	Yang	
D479,195 S	9/2003	Krieger et al.	
D483,725 S	12/2003	Thompson et al.	
D486,130 S	2/2004	Thibault	
D494,541 S	8/2004	Hriscu et al.	
D495,297 S	8/2004	Hriscu et al.	
D496,629 S	9/2004	Hriscu et al.	
D511,743 S	11/2005	Hriscu et al.	
D534,119 S	12/2006	Miller et al.	
D538,223 S *	3/2007	Yang .....	D13/107
D542,221 S	5/2007	Hriscu et al.	
D548,693 S *	8/2007	Krieger et al. ....	D13/110
D554,584 S *	11/2007	Feldman et al. ....	D13/110
7,291,041 B1 *	11/2007	Yang .....	439/500

\* cited by examiner

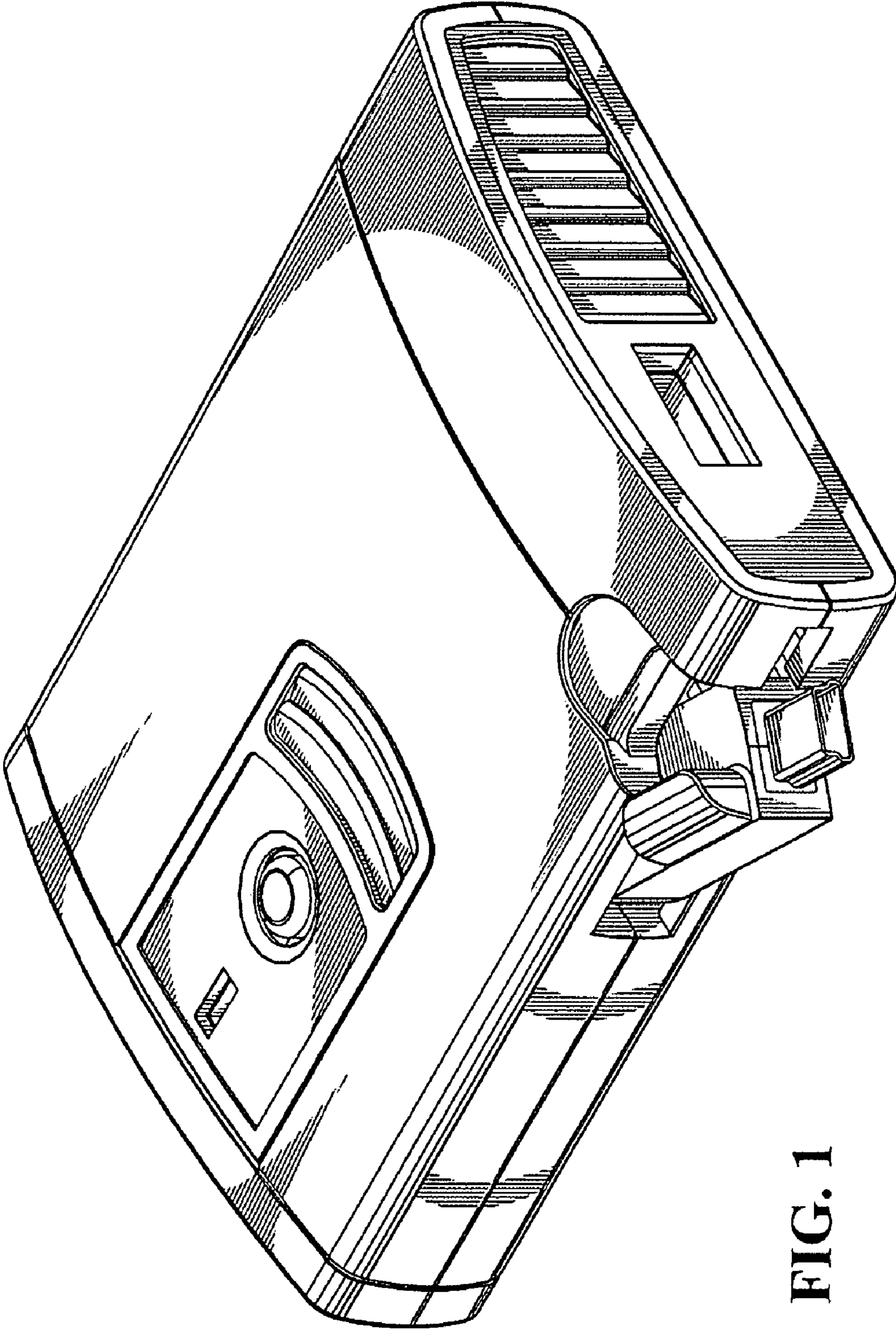


FIG. 1

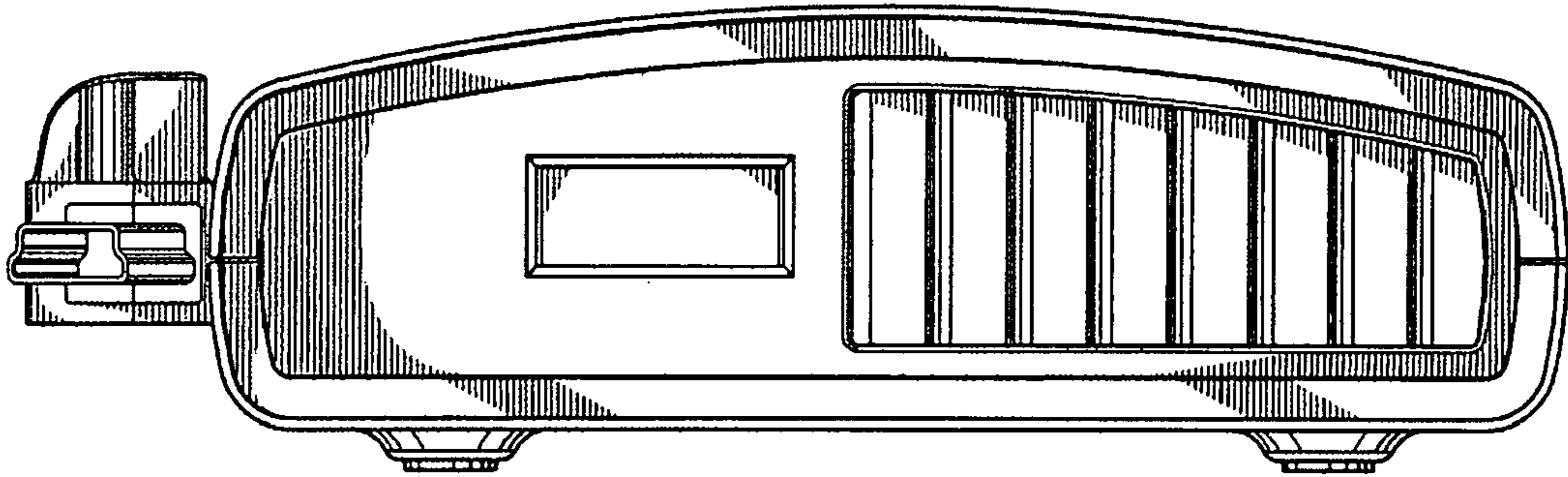


FIG. 2

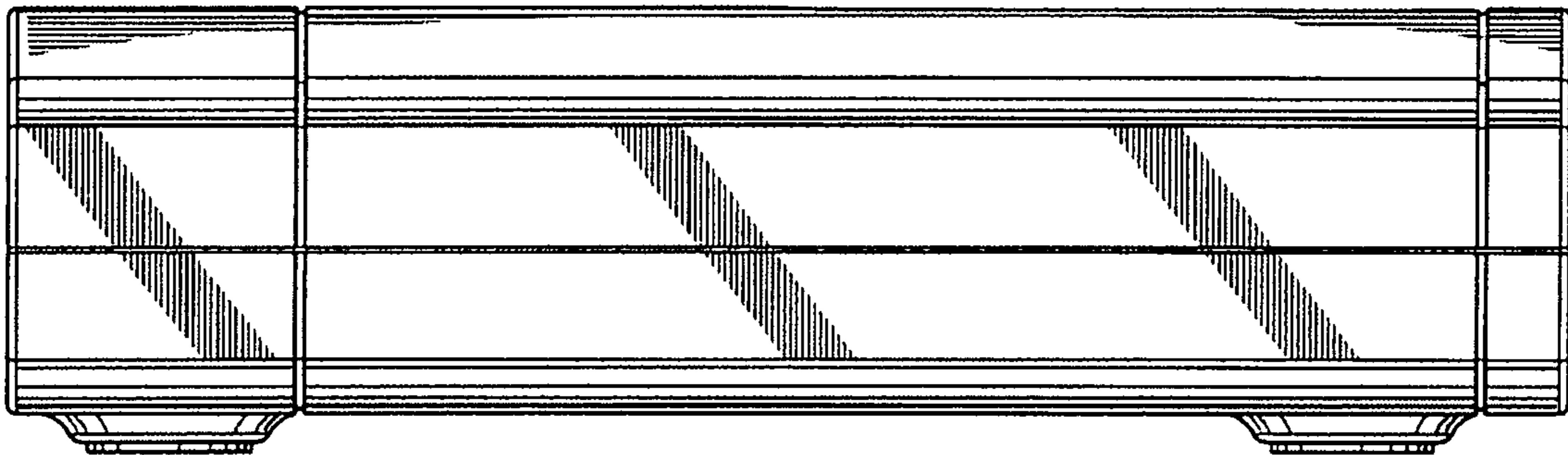


FIG. 3

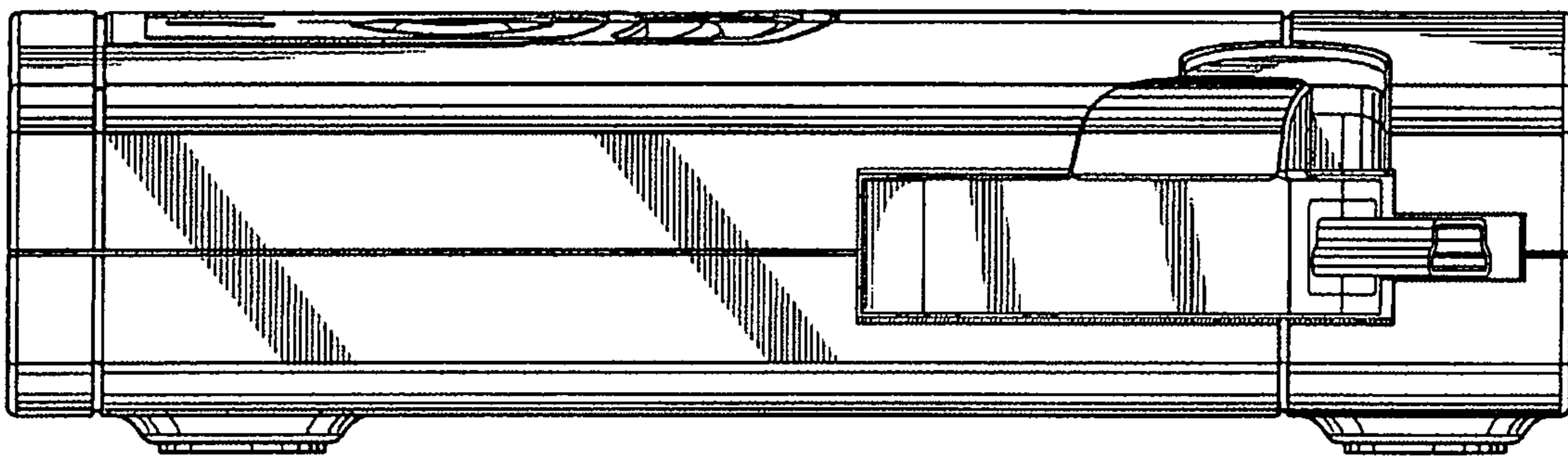


FIG. 4

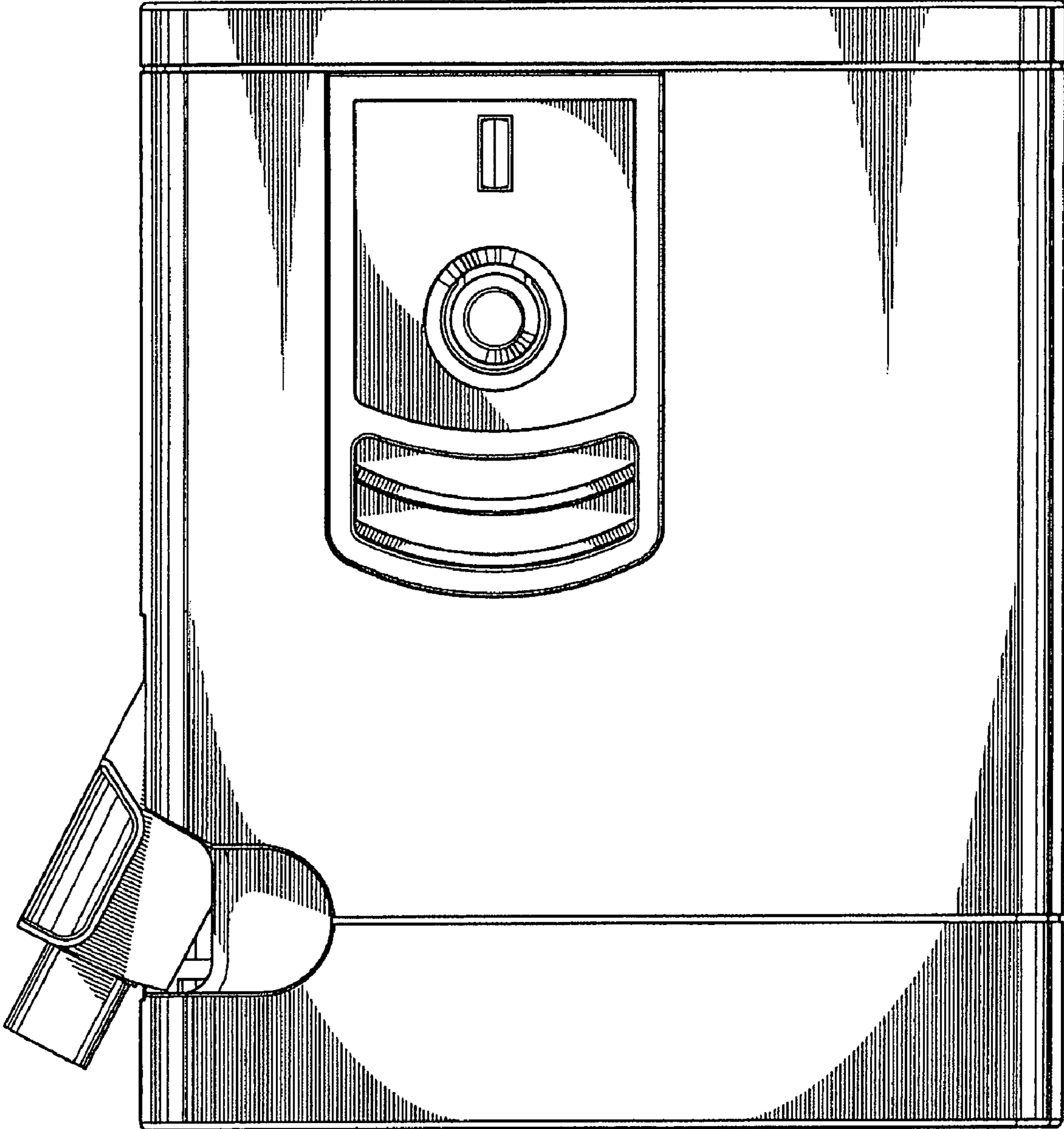


FIG. 5

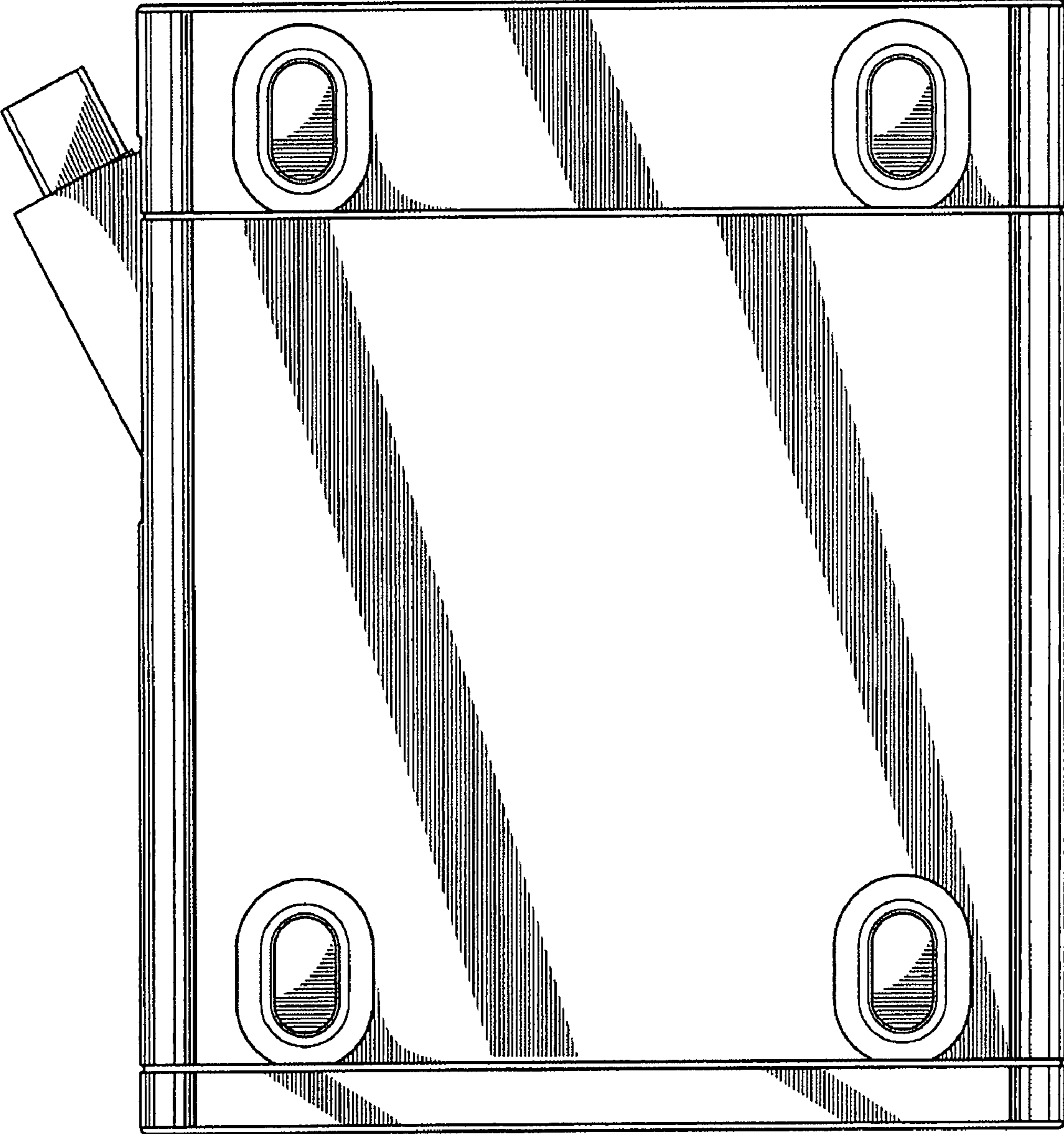


FIG. 6

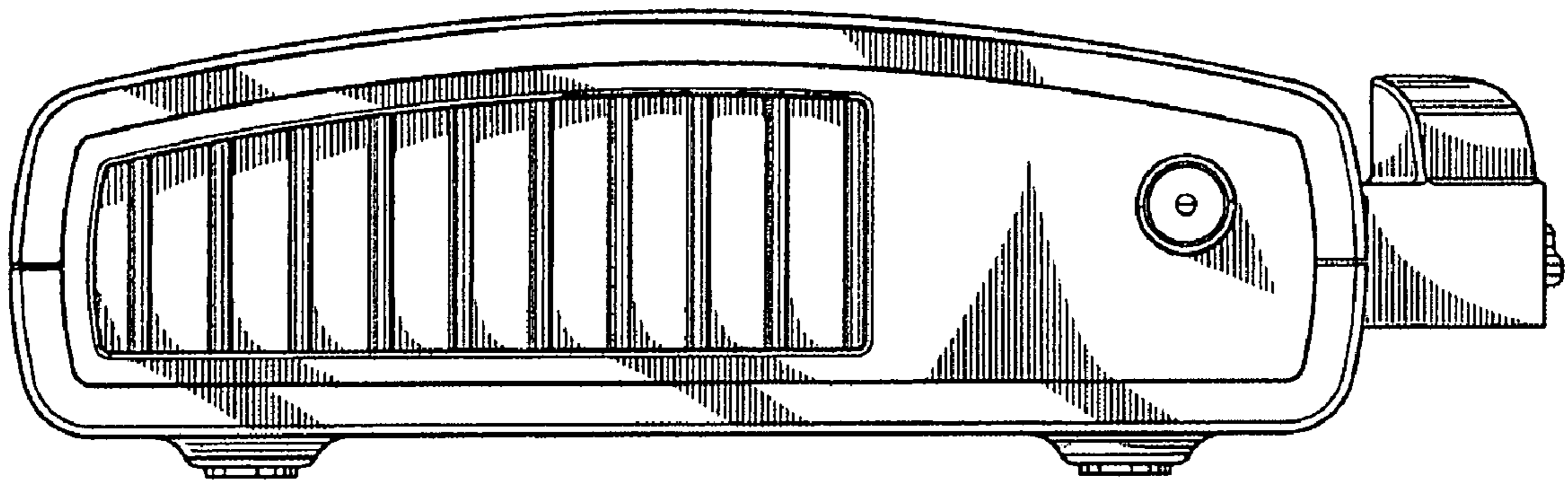


FIG. 7