



US00D580353S

(12) **United States Design Patent**
Harrison et al.

(10) **Patent No.:** **US D580,353 S**

(45) **Date of Patent:** **** Nov. 11, 2008**

(54) **BATTERY**

(75) Inventors: **Ryan Harrison**, Anderson, SC (US);
David M. Smith, Simpsonville, SC (US)

(73) Assignee: **Eastway Fair Company Ltd.**, Tortola
(VG)

(**) Term: **14 Years**

(21) Appl. No.: **29/305,870**

(22) Filed: **Mar. 28, 2008**

(51) **LOC (8) Cl.** **13-02**

(52) **U.S. Cl.** **D13/103**

(58) **Field of Classification Search** D13/102–106,
D13/110, 118–120, 184; 429/96–100, 163,
429/176

See application file for complete search history.

(56) **References Cited**

U.S. PATENT DOCUMENTS

D304,822 S *	11/1989	Fushiya et al.	D13/103
D334,012 S *	3/1993	Chen	D13/103
D397,991 S *	9/1998	Kawakami et al.	D13/103
D412,485 S *	8/1999	Kato et al.	D13/103
D417,648 S *	12/1999	Clowers et al.	D13/103
D432,077 S *	10/2000	Zurwelle et al.	D13/103
D474,445 S *	5/2003	Matsuoka et al.	D13/103
D504,111 S *	4/2005	Ozawa et al.	D13/103
D504,394 S *	4/2005	Cheung et al.	D13/103

D510,317 S *	10/2005	Sun	D13/103
D530,270 S *	10/2006	Ozawa et al.	D13/103
D544,436 S *	6/2007	Kawahara et al.	D13/103

* cited by examiner

Primary Examiner—Jennifer Rivard

Assistant Examiner—Rosemary K Tarcza

(74) *Attorney, Agent, or Firm*—Brinks Hofer Gilson & Lione

(57) **CLAIM**

We claim the ornamental design for a battery, as shown and described.

DESCRIPTION

FIG. 1 is a perspective view of a battery of the present invention.

FIG. 2 is a left side view of the battery of FIG. 1.

FIG. 3 is a front side view of the battery of FIG. 1.

FIG. 4 is a rear side view of the battery of FIG. 1.

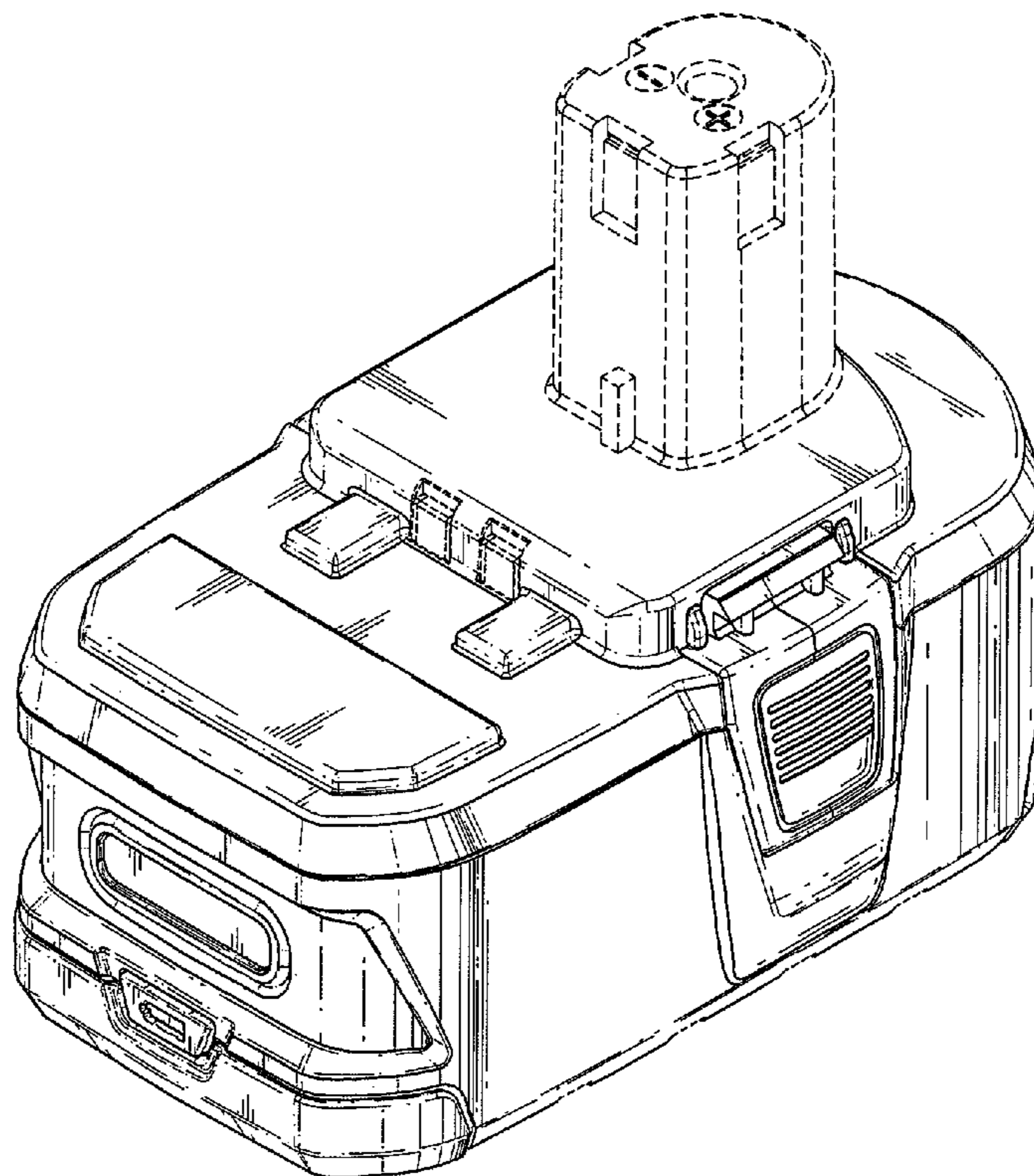
FIG. 5 is a right side view of the battery of FIG. 1.

FIG. 6 is a top view of the battery of FIG. 1; and,

FIG. 7 is a bottom view of the battery of FIG. 1.

The ornamental design which is claimed is shown in solid lines in the drawings. Any broken lines in the drawings are for illustrative purposes only and form no part of the claimed design.

1 Claim, 7 Drawing Sheets



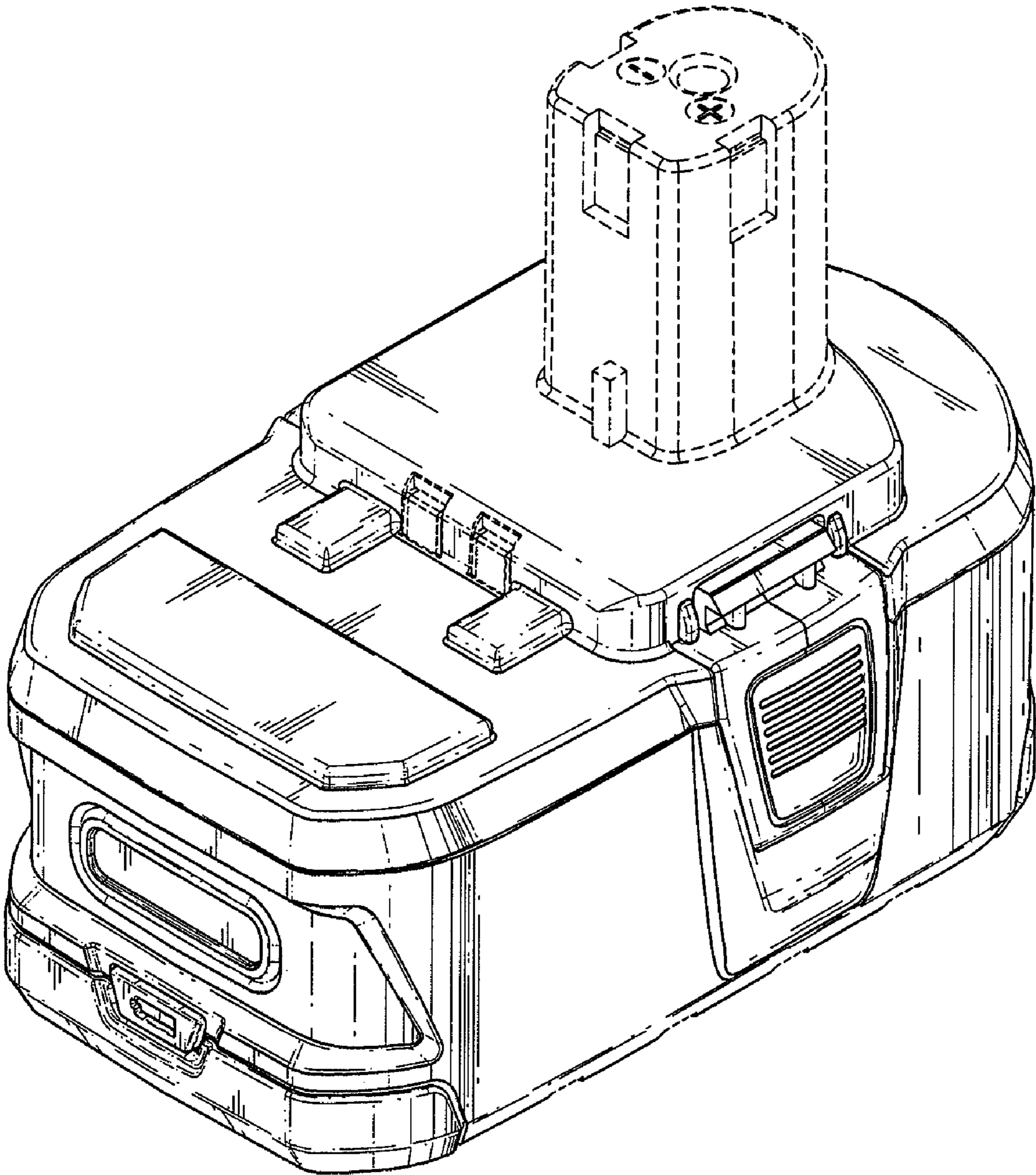


FIG. 1

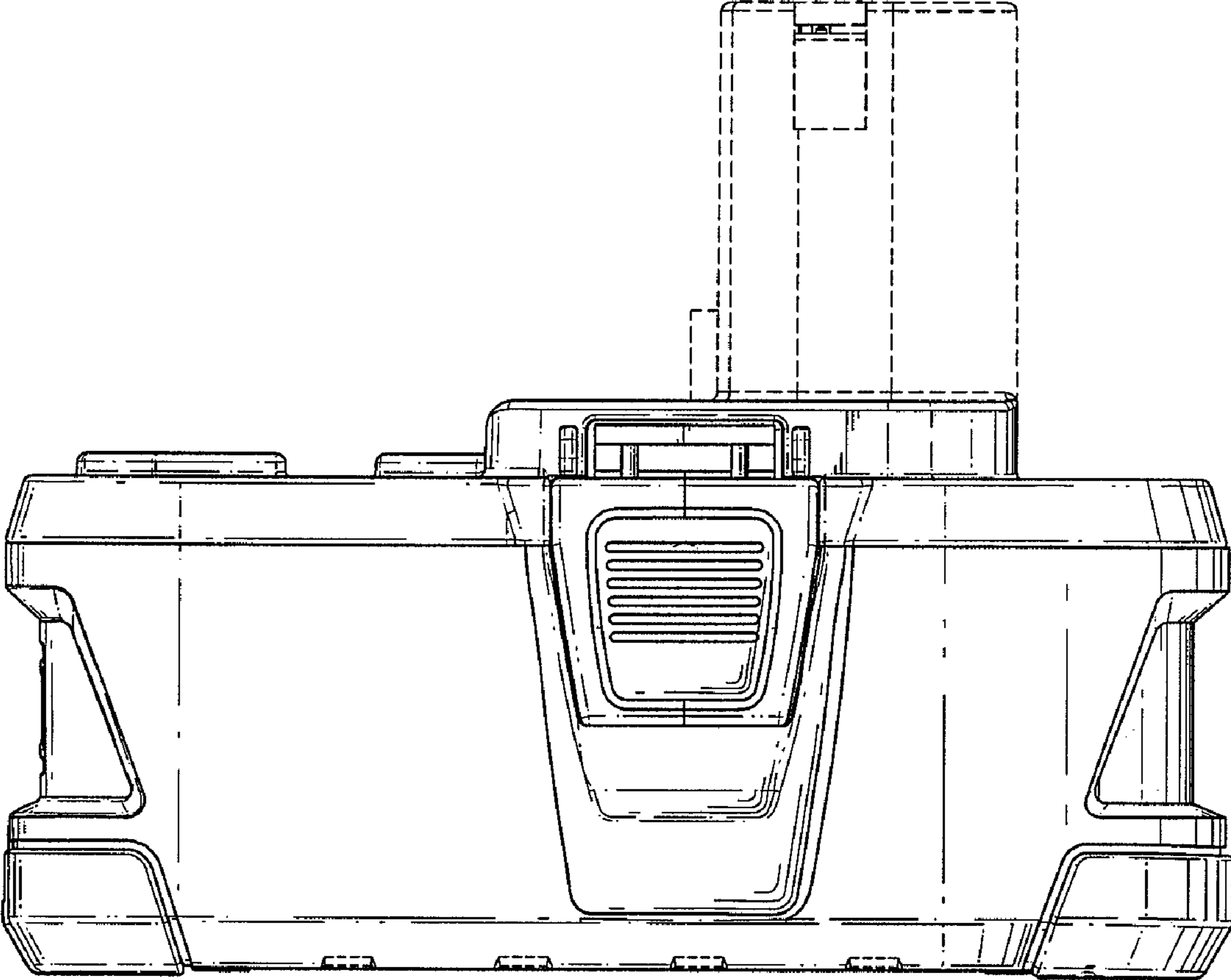


FIG. 2

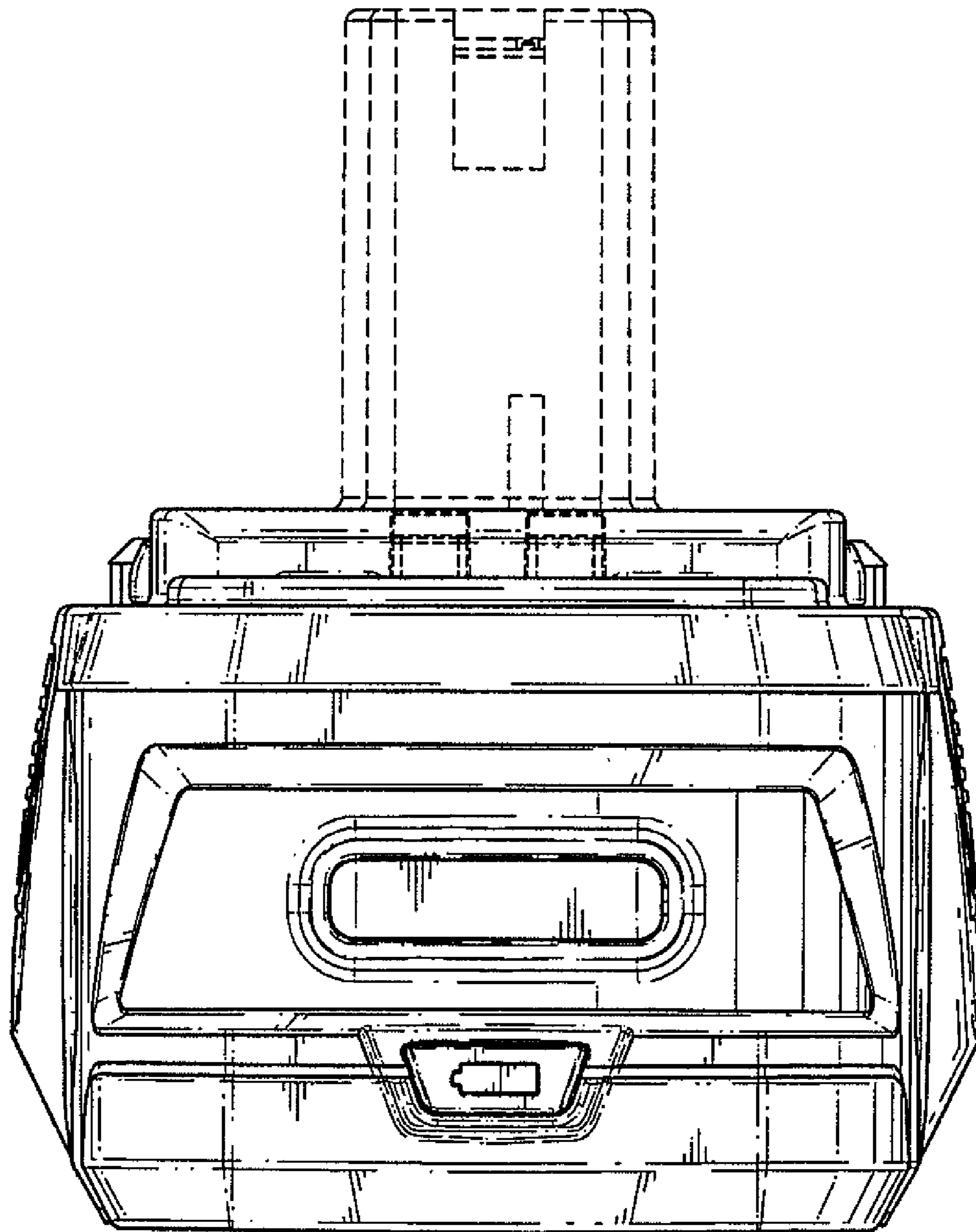


FIG. 3

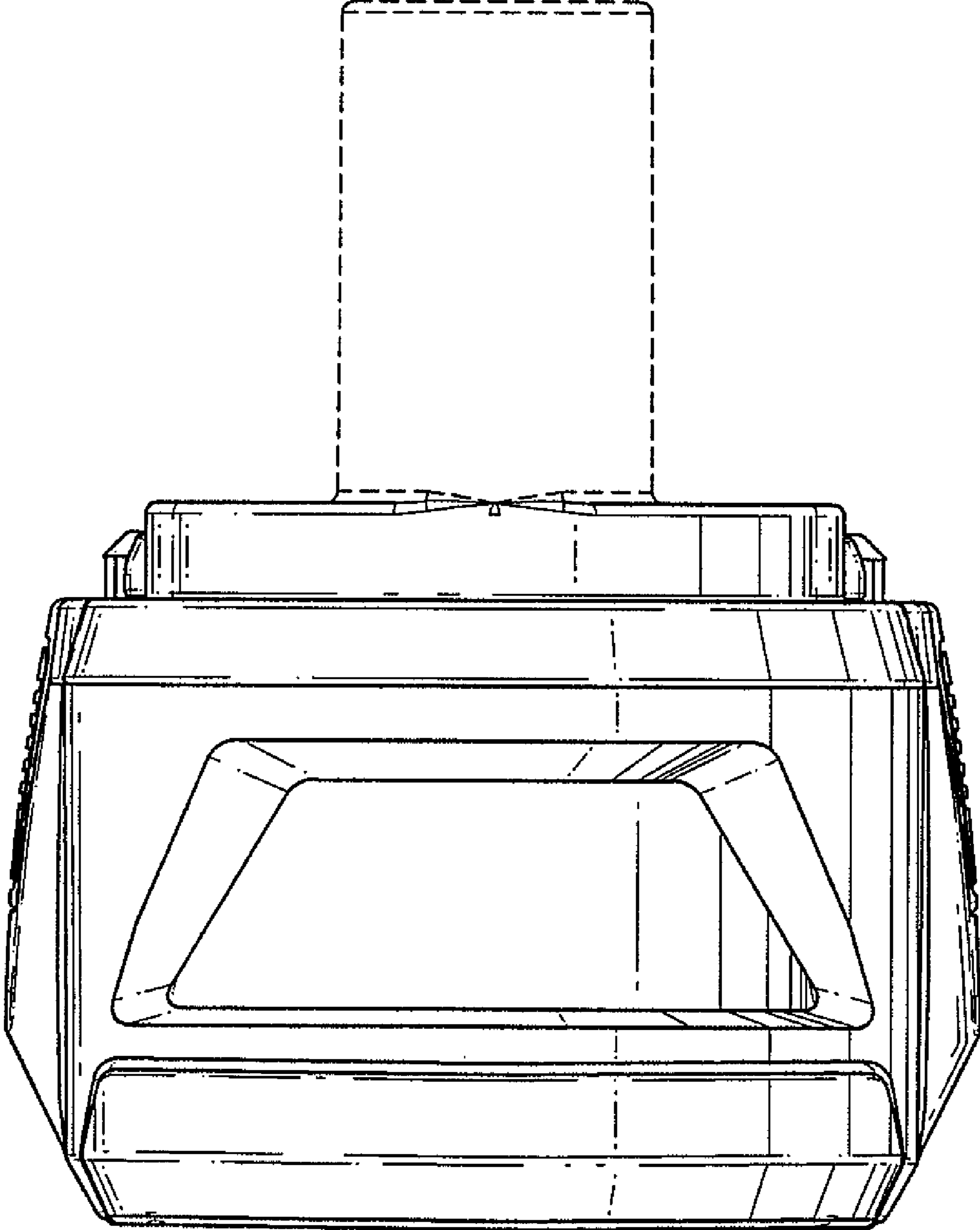


FIG. 4

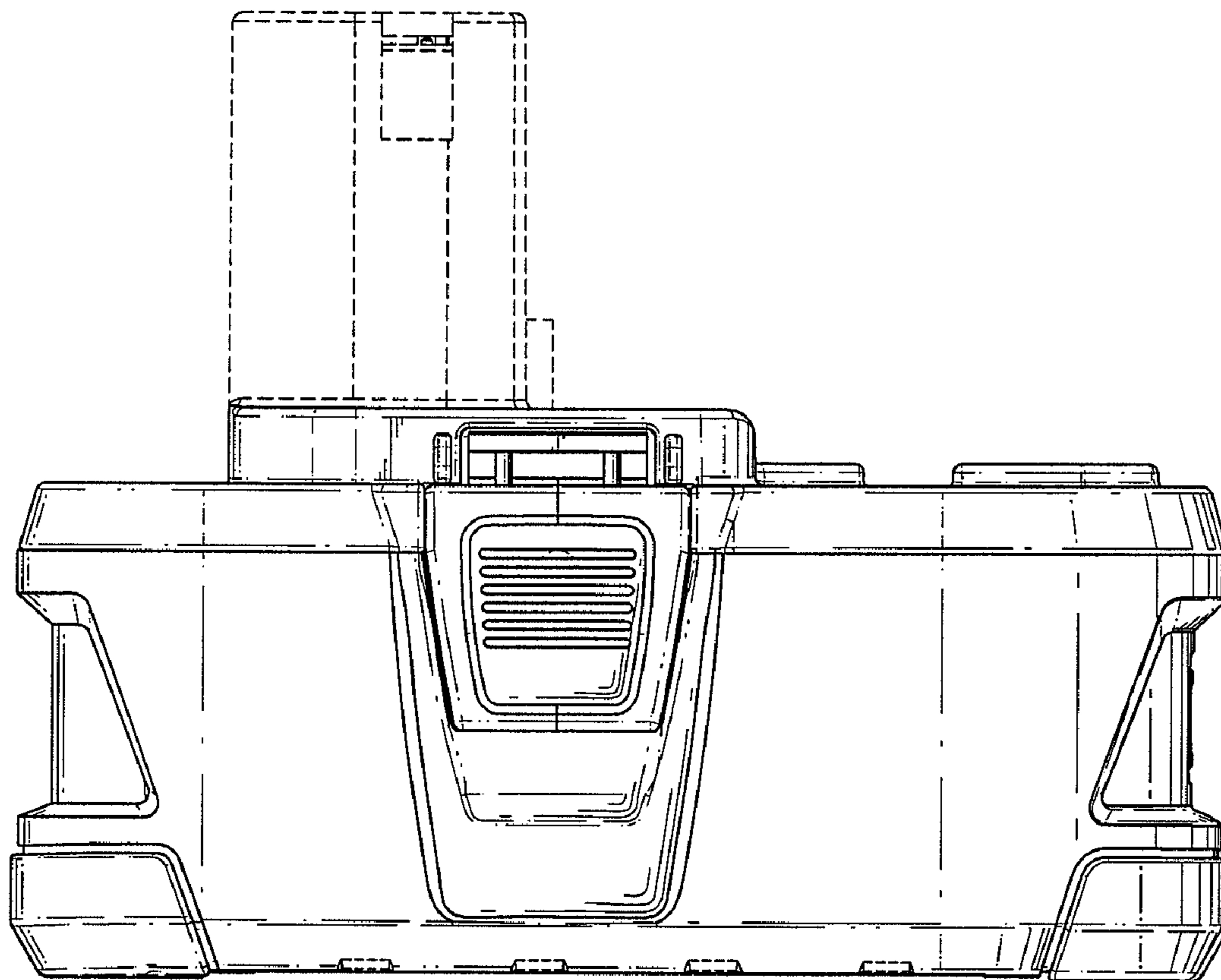


FIG. 5

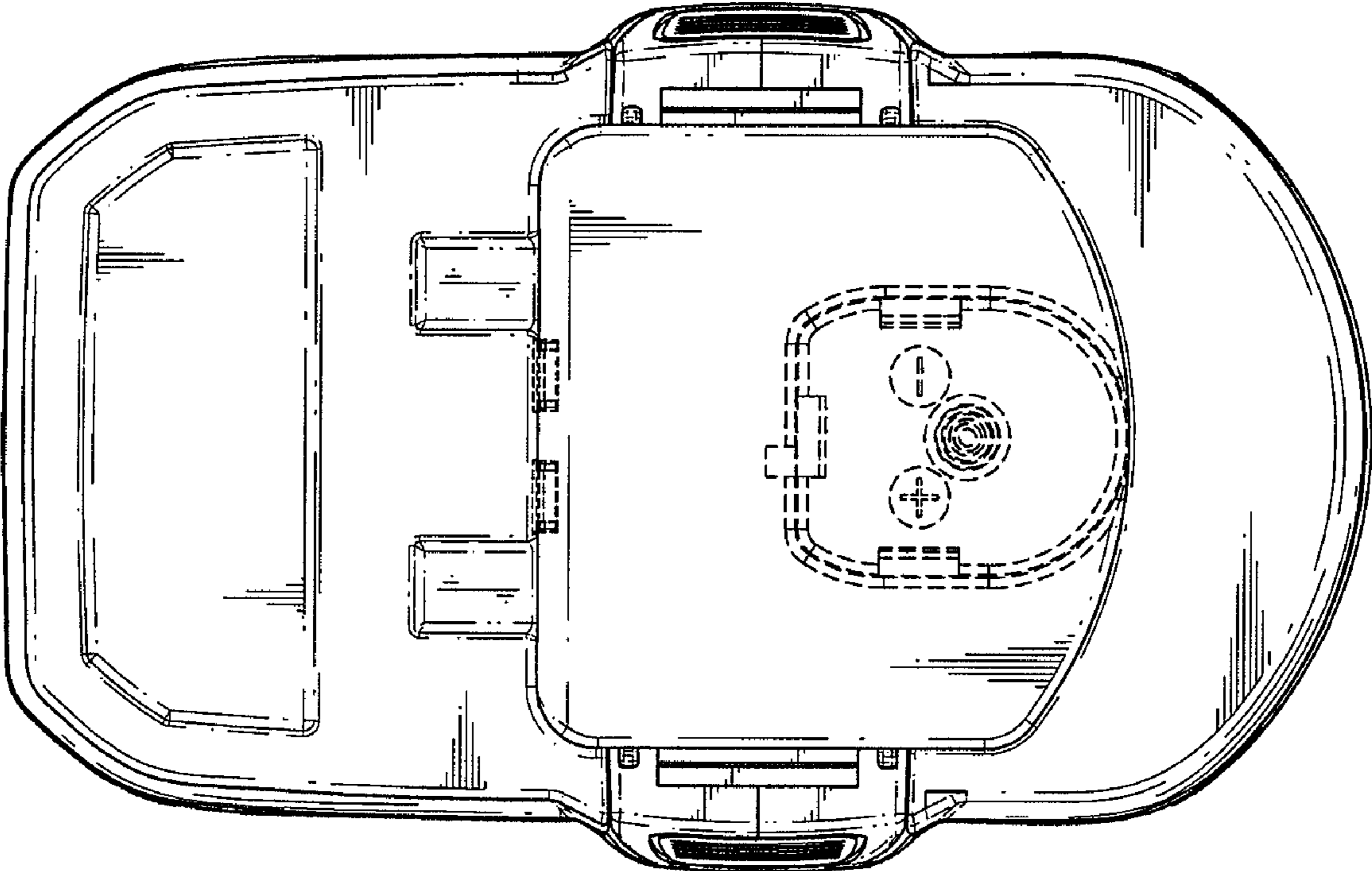


FIG. 6

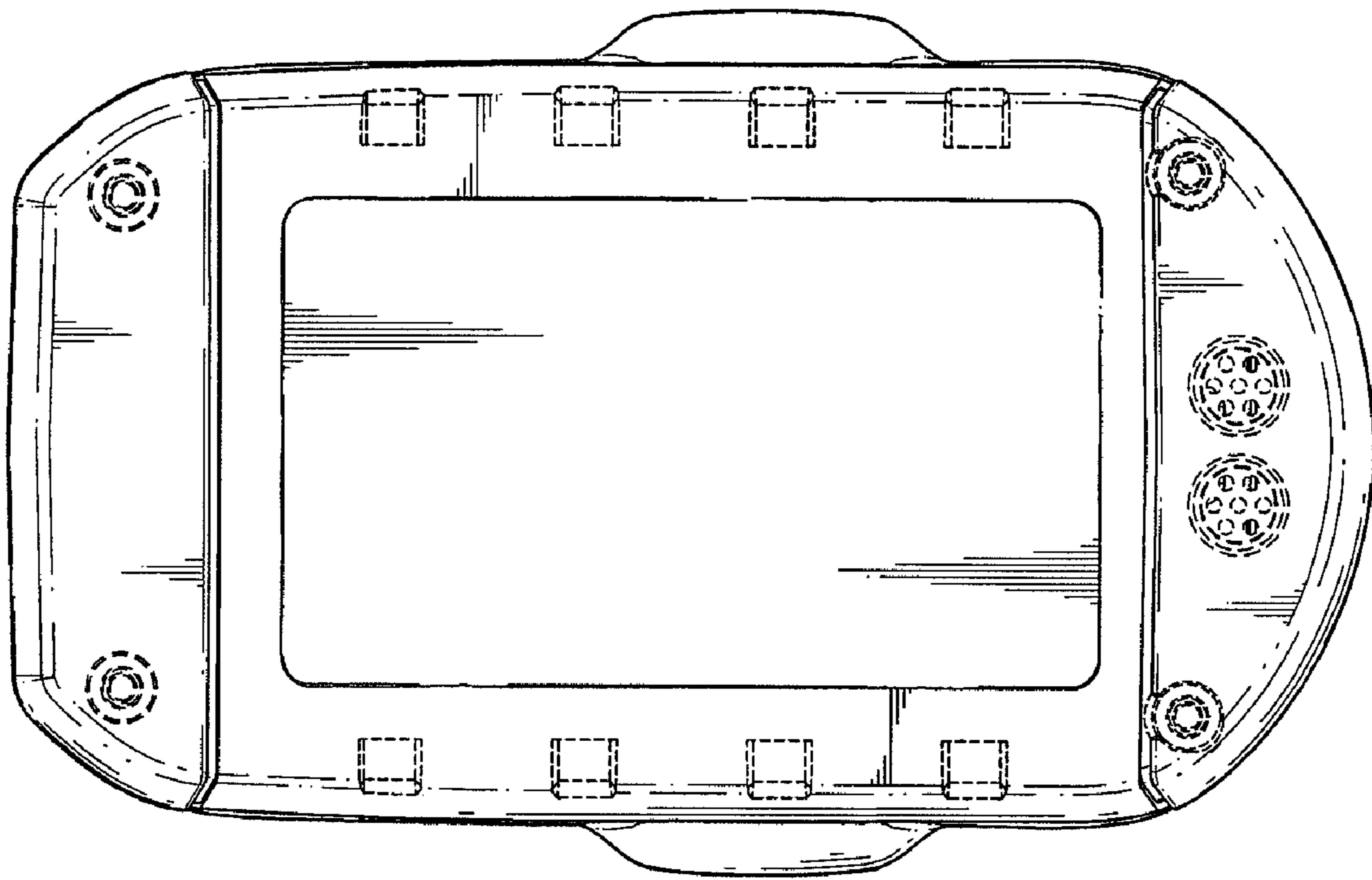


FIG. 7