



US00D580351S

(12) **United States Design Patent**
Elsmark et al.

(10) **Patent No.:** **US D580,351 S**

(45) **Date of Patent:** **** Nov. 11, 2008**

(54) **BATTERY UNIT**

(75) Inventors: **Karl Johan Lars Elsmark**, Saltsjo-Boo (SE); **Nils Tomas Hilding**, Bouaye (FR); **Karl Nils Magnus Sjogren**, Arsta (SE); **Carl Gunnar Ostling**, Nacka (SE)

(73) Assignee: **Atlas Copco Tools AB**, Nacka (SE)

(**) Term: **14 Years**

(21) Appl. No.: **29/294,213**

(22) Filed: **Dec. 28, 2007**

(30) **Foreign Application Priority Data**

Jun. 29, 2007 (SE) 2007/0322

(51) **LOC (8) Cl.** **13-02**

(52) **U.S. Cl.** **D13/103**

(58) **Field of Classification Search** D13/102-106,
D13/110, 118-119, 184; 429/96-100, 163,
429/176

See application file for complete search history.

(56) **References Cited**

U.S. PATENT DOCUMENTS

- D436,917 S * 1/2001 Hayakawa et al. D13/103
- D477,811 S * 7/2003 Niwa et al. D13/103
- D481,672 S * 11/2003 Niwa et al. D13/103
- D483,012 S * 12/2003 Hsu D13/103
- D511,744 S * 11/2005 Hsu et al. D13/108
- D512,961 S * 12/2005 Okuda et al. D13/103

- D514,060 S * 1/2006 Wong et al. D13/103
- D516,020 S * 2/2006 Wong et al. D13/103
- D516,504 S * 3/2006 Okuda et al. D13/103
- D523,807 S * 6/2006 Murayama et al. D13/103
- D550,152 S * 9/2007 Okuda et al. D13/103
- D562,228 S * 2/2008 Okada et al. D13/103
- D564,444 S * 3/2008 Johnson et al. D13/103

* cited by examiner

Primary Examiner—Jennifer Rivard

Assistant Examiner—Rosemary K Tarcza

(74) *Attorney, Agent, or Firm*—Frishauf, Holtz, Goodman & Chick, P.C.

(57) **CLAIM**

The ornamental design for a battery unit, as shown and described.

DESCRIPTION

FIG. 1 is a front elevational view of a battery unit showing our new design;

FIG. 2 is a rear elevational view thereof;

FIG. 3 is a left side elevational view thereof, the right side elevational view being a mirror image;

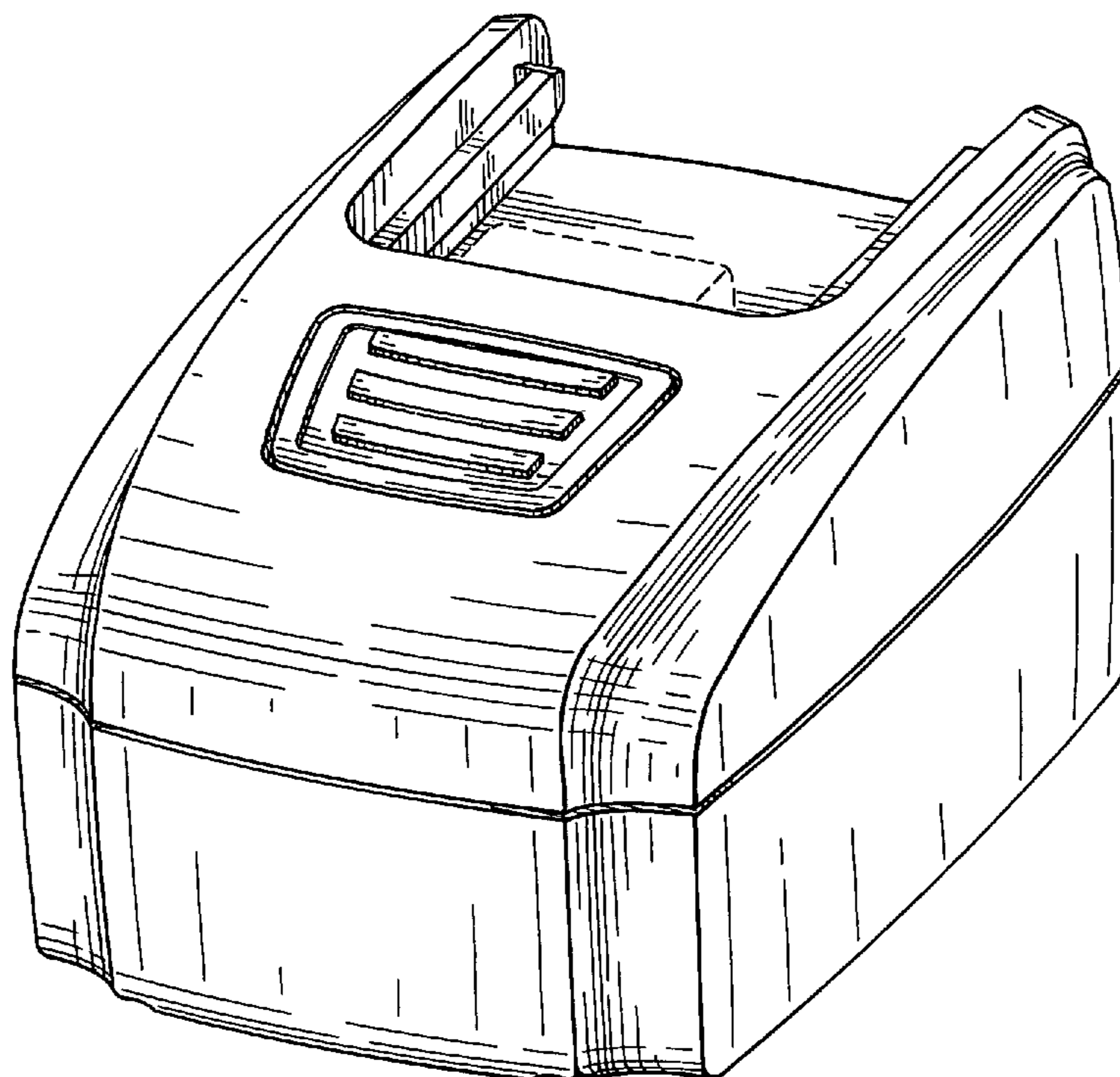
FIG. 4 is a top plan view thereof;

FIG. 5 is a bottom plan view thereof; and,

FIG. 6 is a top, front, right side perspective view thereof.

The broken line showings in the drawings are for illustrative purposes only and form no part of the claimed design.

1 Claim, 4 Drawing Sheets



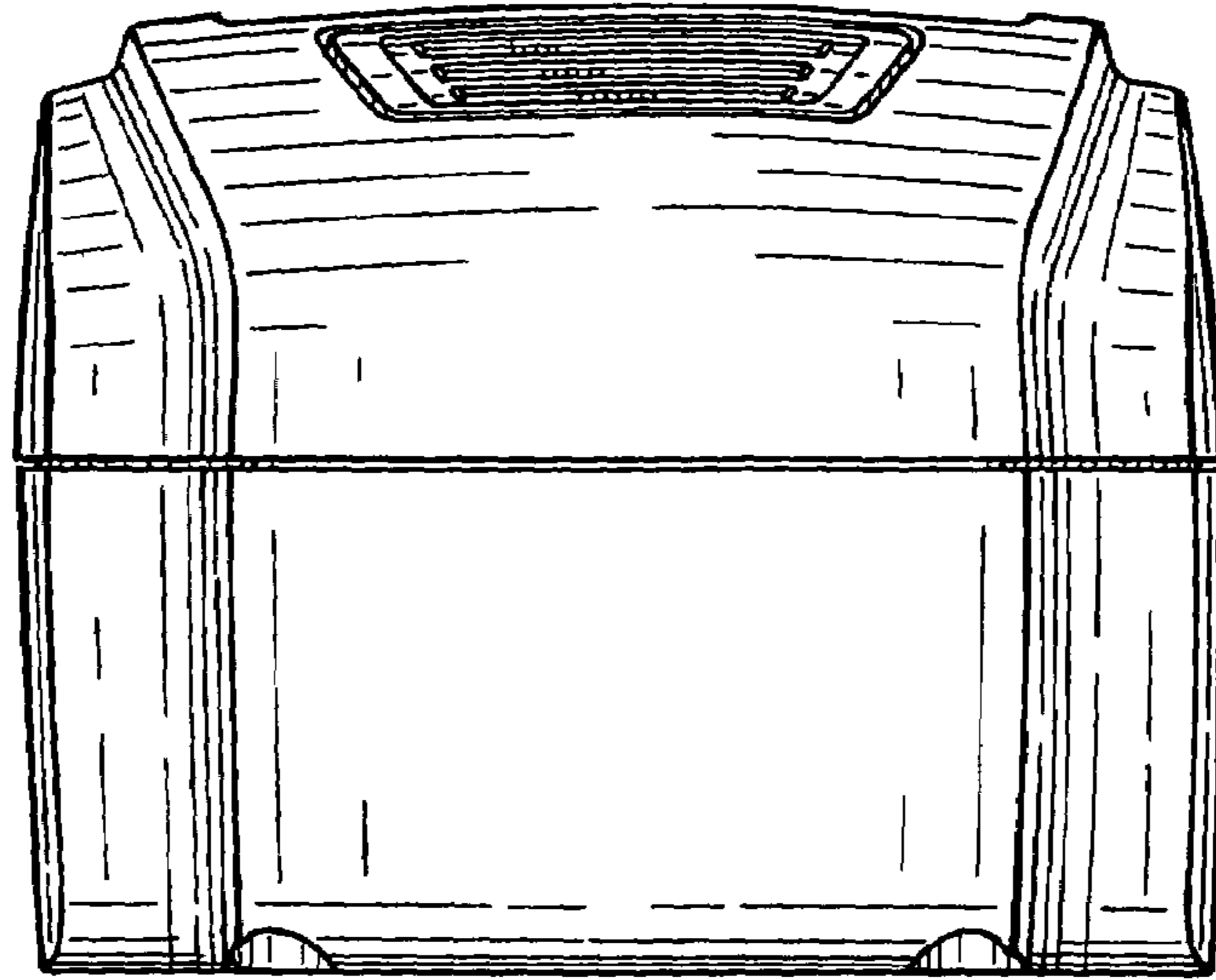


Fig. 1

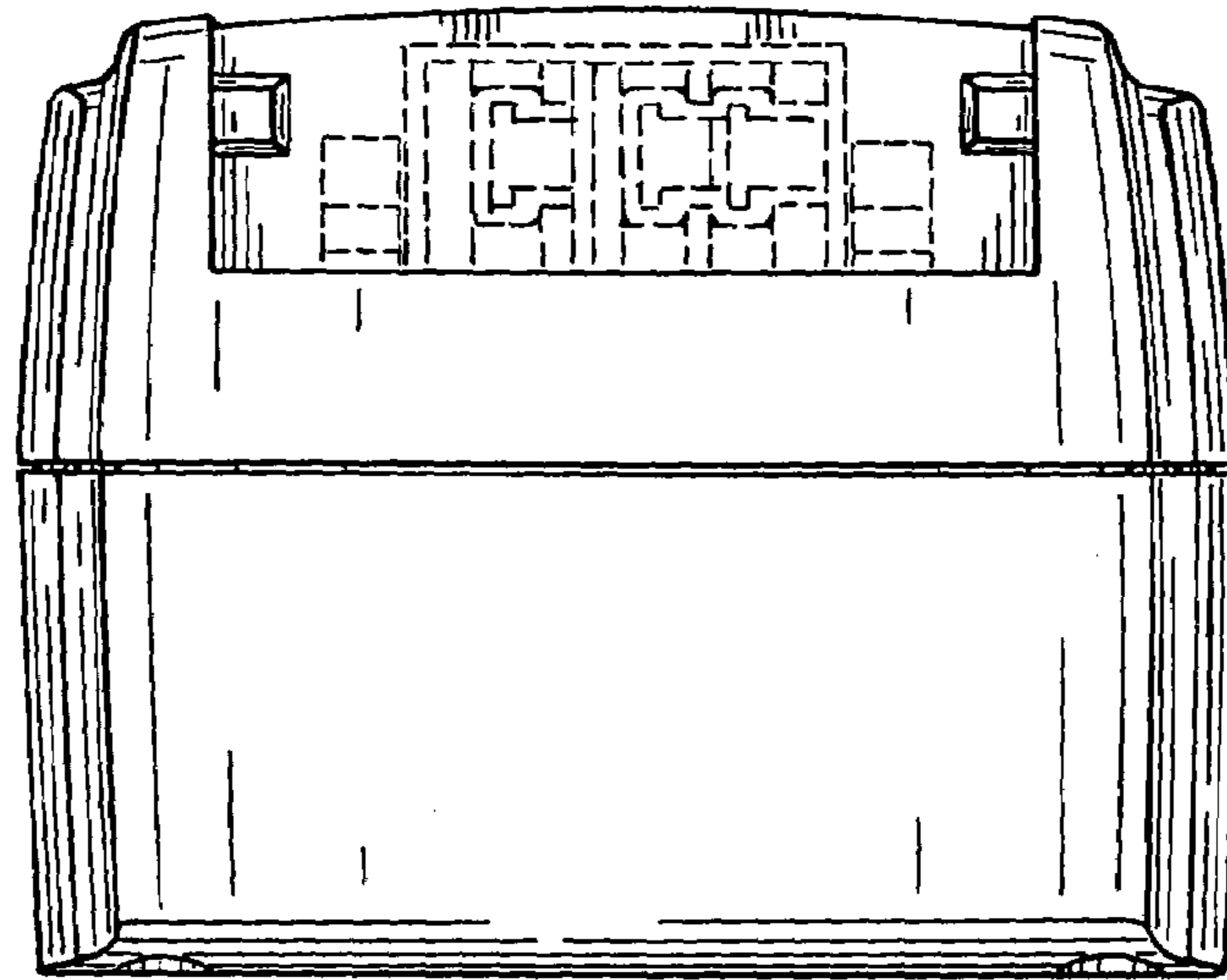


Fig. 2

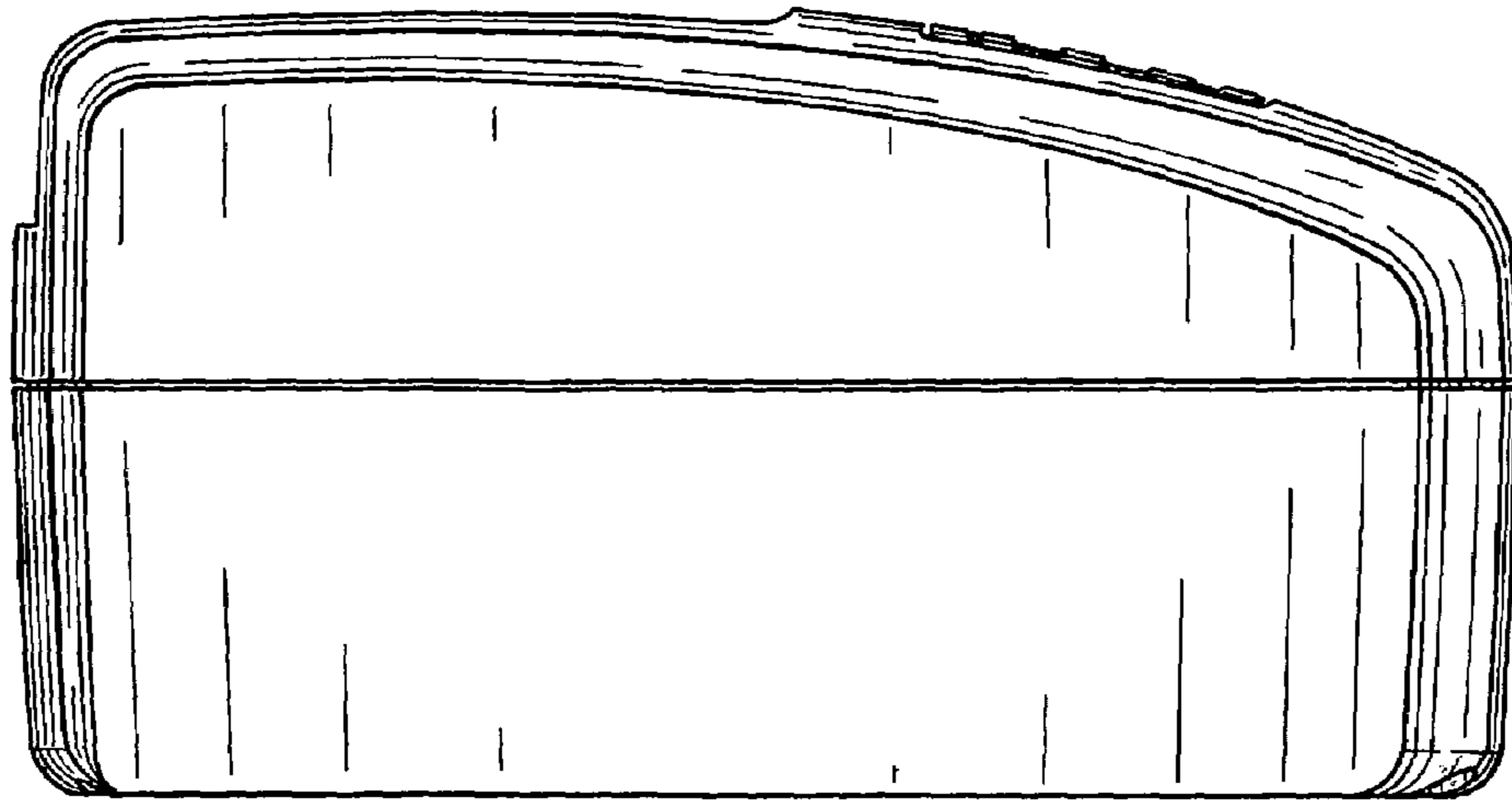


Fig. 3

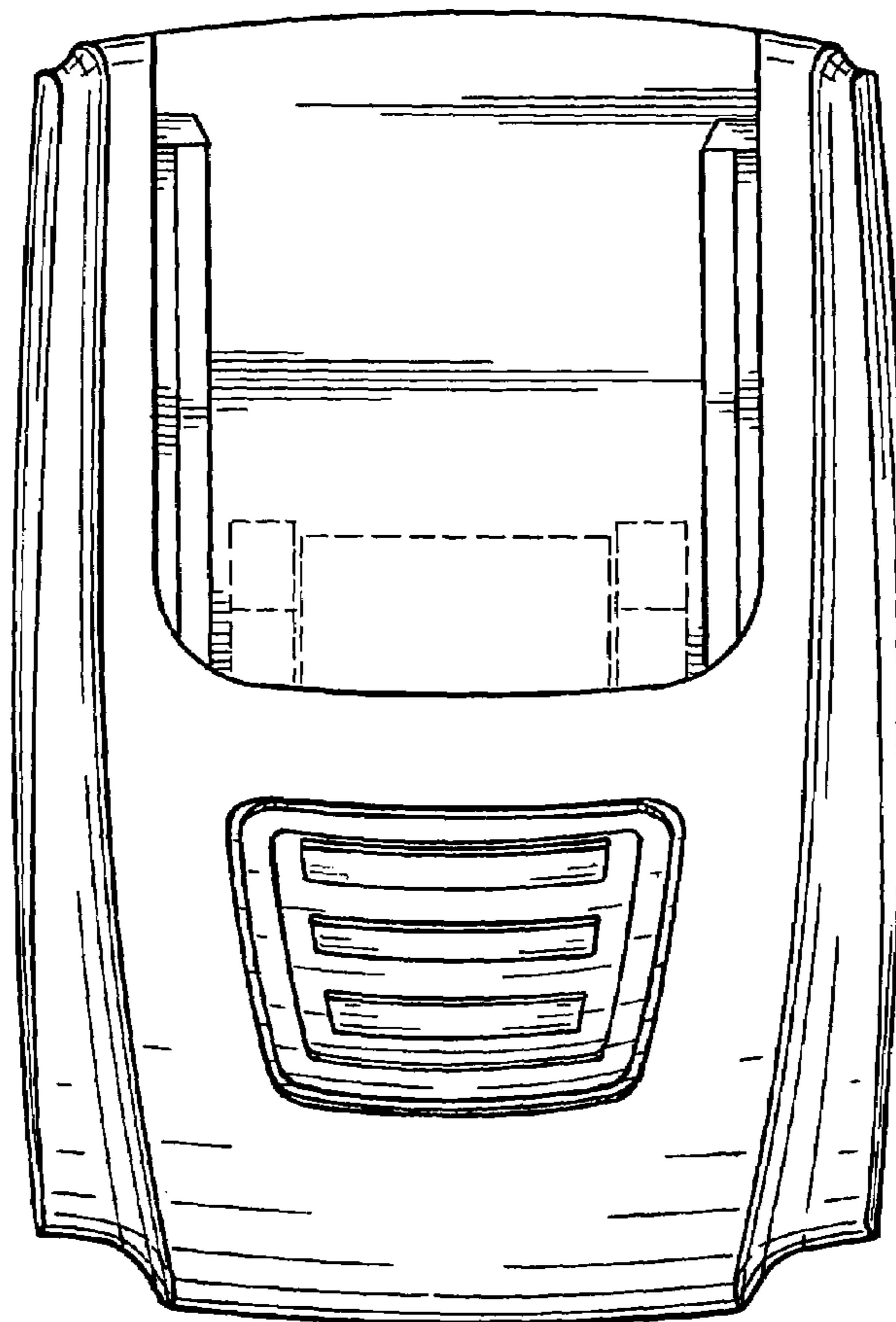


Fig. 4

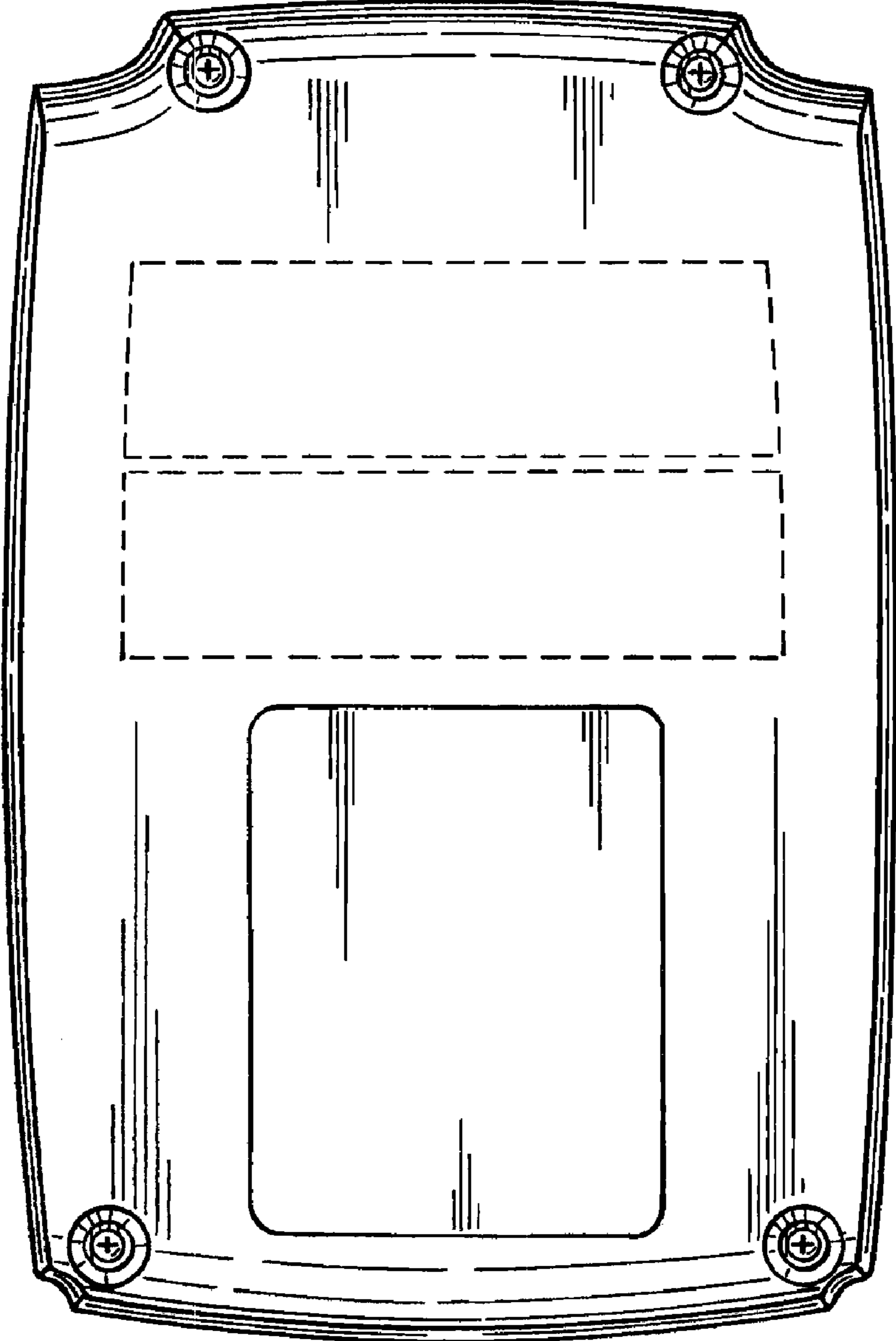


Fig. 5

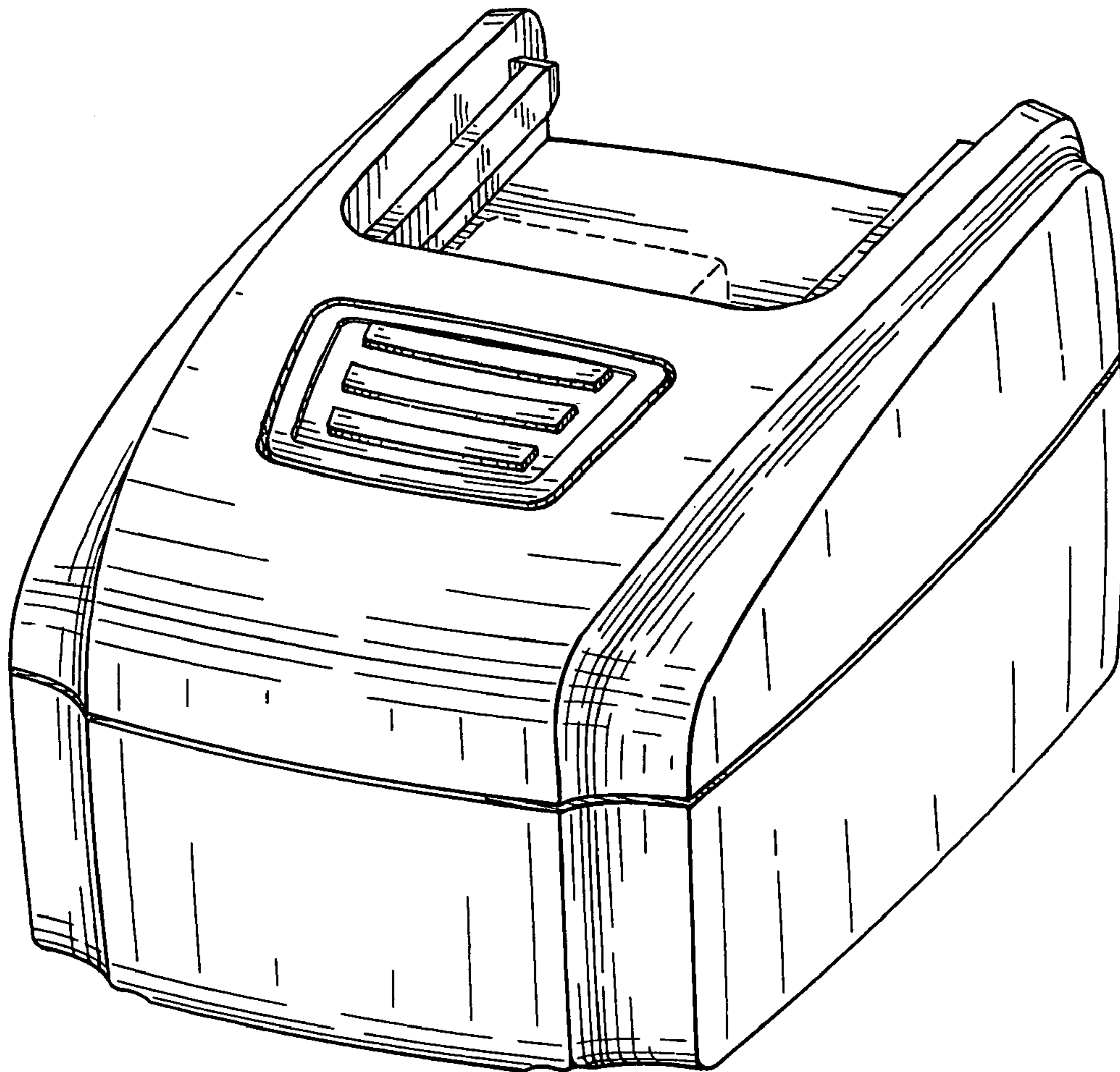


Fig. 6