



US00D580350S

(12) **United States Design Patent**  
**Iseki**

(10) **Patent No.:** **US D580,350 S**

(45) **Date of Patent:** **\*\* Nov. 11, 2008**

(54) **RECHARGEABLE BATTERY**

(75) Inventor: **Daisuke Iseki**, Tokyo (JP)

(73) Assignee: **Sony Corporation**, Tokyo (JP)

(\*\*) Term: **14 Years**

(21) Appl. No.: **29/287,916**

(22) Filed: **Oct. 2, 2007**

(30) **Foreign Application Priority Data**

Apr. 24, 2007 (JP) ..... D2007-011014

(51) **LOC (8) Cl.** ..... **13-02**

(52) **U.S. Cl.** ..... **D13/103**

(58) **Field of Classification Search** ..... D13/102-106,  
D13/110, 118-119, 184; 429/96-100, 163,  
429/176

See application file for complete search history.

(56) **References Cited**

**U.S. PATENT DOCUMENTS**

D415,466 S *	10/1999	Kawa	.....	D13/103
D431,227 S *	9/2000	Ogasawara	.....	D13/103
D431,808 S *	10/2000	Ogasawara	.....	D13/103
D448,003 S *	9/2001	Ogasawara	.....	D13/103
D457,857 S *	5/2002	Ogasawara	.....	D13/103
D476,949 S *	7/2003	Wada	.....	D13/103

D515,025 S *	2/2006	Yokota	.....	D13/103
D520,942 S *	5/2006	Yokota	.....	D13/103
D521,448 S *	5/2006	Yokota	.....	D13/103
D531,574 S *	11/2006	Yamada	.....	D13/103
D535,249 S *	1/2007	Ogasawara	.....	D13/103
D539,730 S *	4/2007	Kawase	.....	D13/103
D554,579 S *	11/2007	Ogasawara	.....	D13/103

\* cited by examiner

*Primary Examiner*—Jennifer Rivard

*Assistant Examiner*—Rosemary K Tarcza

(74) *Attorney, Agent, or Firm*—Rader, Fishman & Grauer, PLLC

(57) **CLAIM**

The ornamental design for a rechargeable battery, as shown.

**DESCRIPTION**

FIG. 1 is a perspective view of a rechargeable battery showing my new design;

FIG. 2 is a front elevational view thereof;

FIG. 3 is a rear elevational view thereof;

FIG. 4 is a left side elevational view thereof;

FIG. 5 is a right side elevational view thereof;

FIG. 6 is a top plan view thereof; and,

FIG. 7 is a bottom plan view thereof.

**1 Claim, 7 Drawing Sheets**

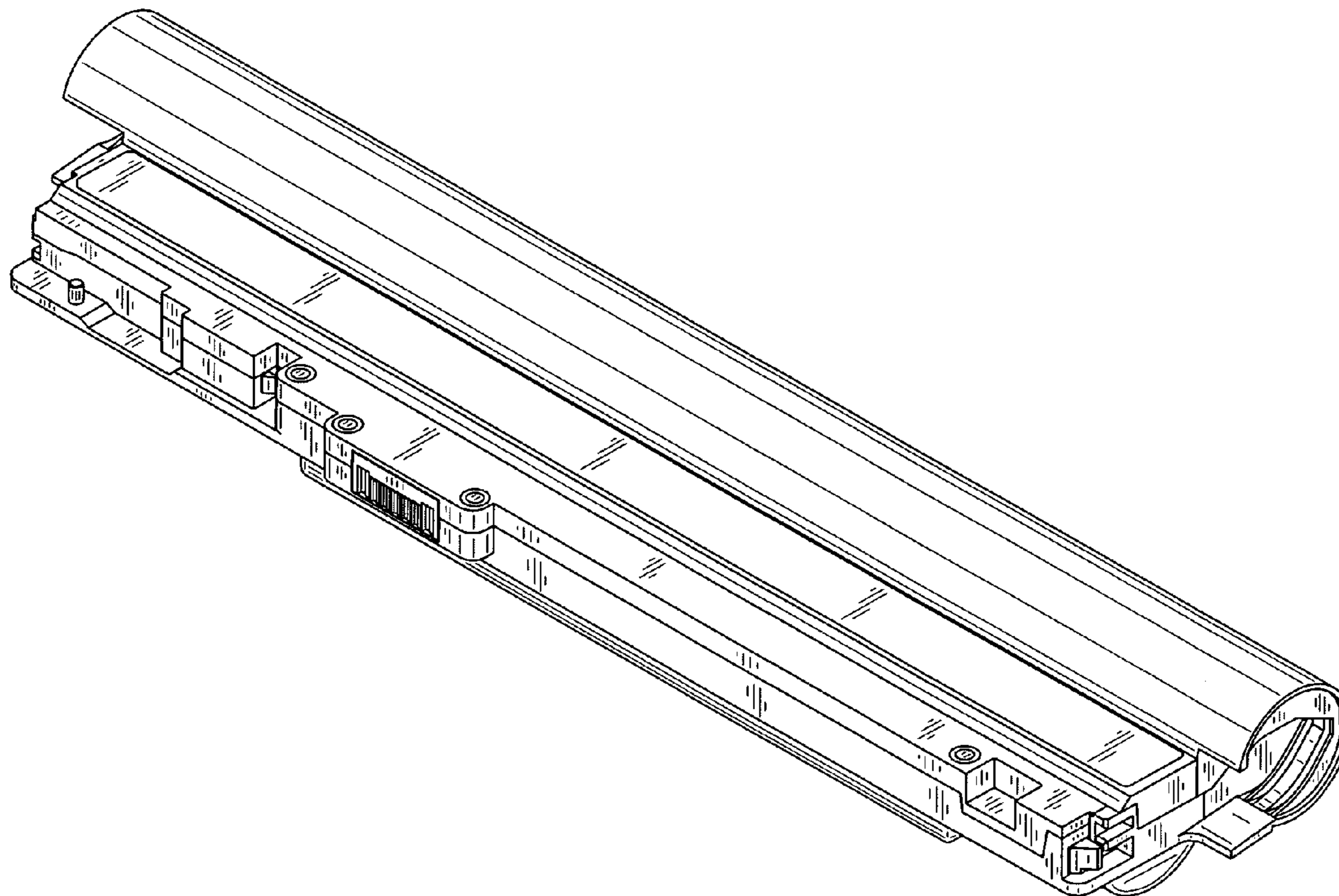


Fig.1

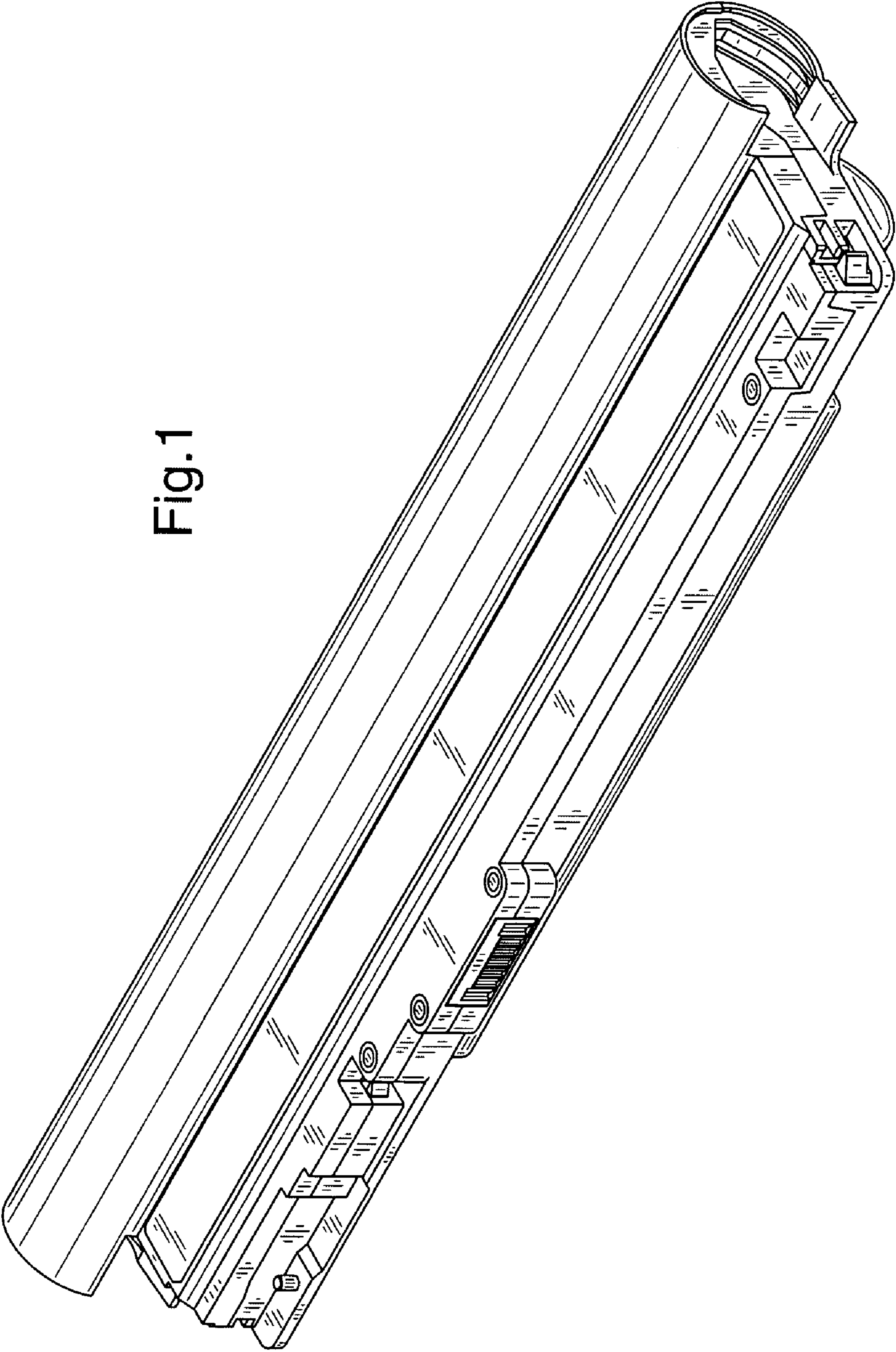


Fig.2

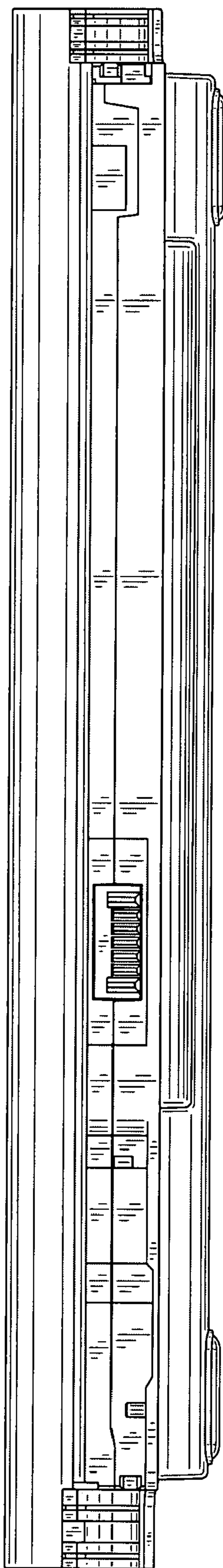


Fig.3

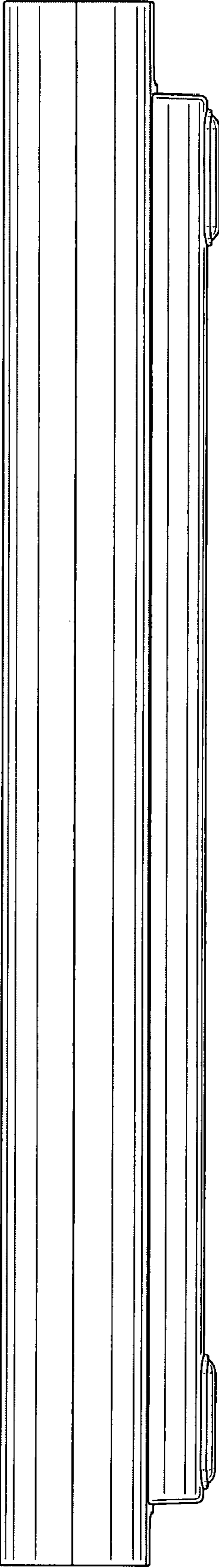


Fig.4

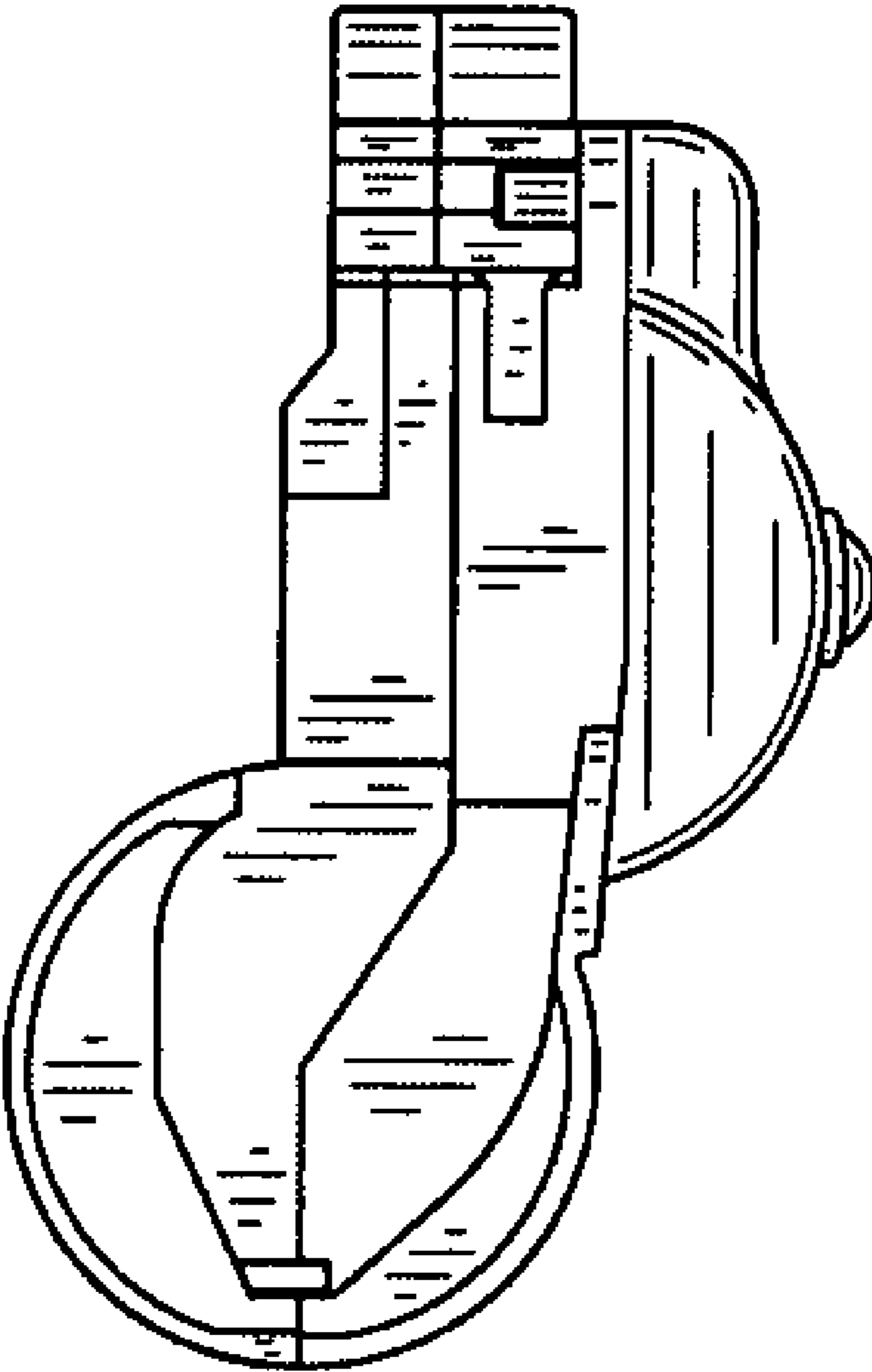




Fig. 5

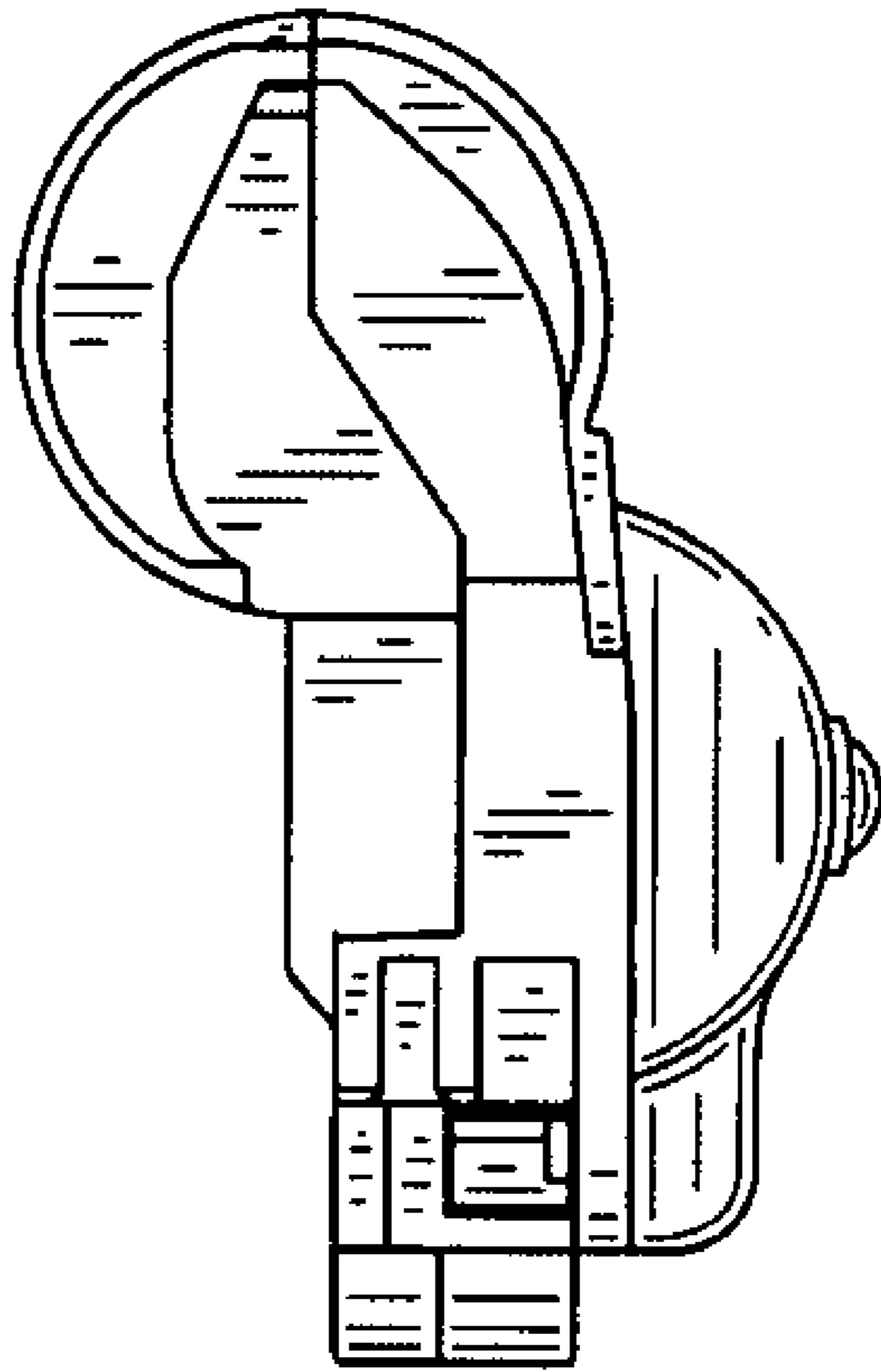


Fig.6

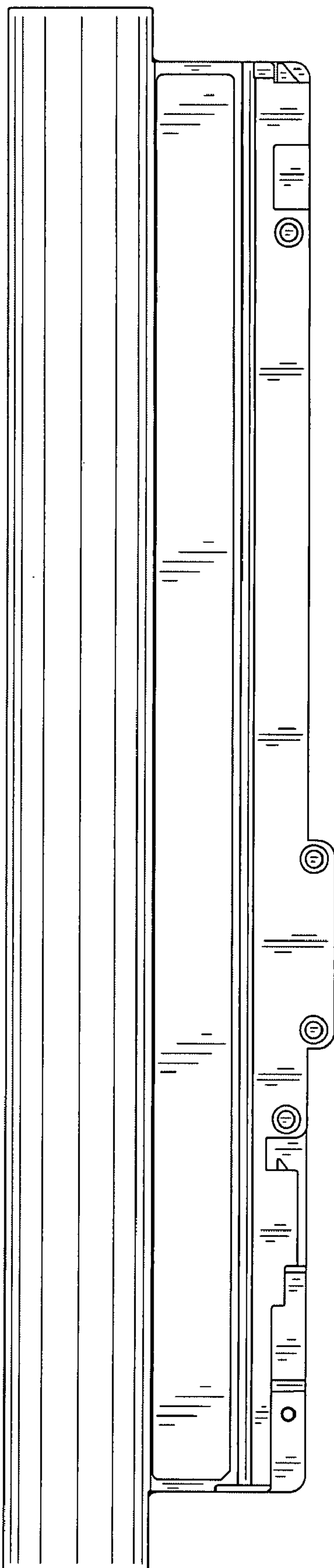


Fig.7

