



US00D580349S

(12) **United States Design Patent**  
**Haydvogel**

(10) **Patent No.:** **US D580,349 S**

(45) **Date of Patent:** **\*\* Nov. 11, 2008**

(54) **BATTERY PACK**

(76) **Inventor:** **Christian Haydvogel**, Schrackgasse  
11a, Kindberg (AT) A-8650

(\*\*) **Term:** **14 Years**

(21) **Appl. No.:** **29/287,308**

(22) **Filed:** **Jul. 23, 2007**

(30) **Foreign Application Priority Data**

Jun. 1, 2007 (CN) ..... 2007 3 0155510

(51) **LOC (8) Cl.** ..... **13-02**

(52) **U.S. Cl.** ..... **D13/103**

(58) **Field of Classification Search** ..... D13/102–106,  
D13/110, 118–119, 184; 429/96–100, 163,  
429/176

See application file for complete search history.

(56) **References Cited**

**U.S. PATENT DOCUMENTS**

D246,240 S *	11/1977	Hansen	.....	D13/103
4,880,712 A *	11/1989	Gordecki	.....	429/97
D344,061 S *	2/1994	Tse	.....	D13/103
D368,316 S *	3/1996	Jansson	.....	D26/39
D400,493 S *	11/1998	Witkowski et al.	.....	D13/103
D492,649 S *	7/2004	Resch et al.	.....	D13/103
D503,923 S *	4/2005	Asherian	.....	D13/103
D517,982 S *	3/2006	Rad et al.	.....	D13/103
D551,615 S *	9/2007	Wahl et al.	.....	D13/103

2003/0017372 A1 *	1/2003	Probst et al.	.....	429/7
2003/0017390 A1 *	1/2003	Probst et al.	.....	429/176
2006/0040178 A1 *	2/2006	Probst et al.	.....	429/176

\* cited by examiner

*Primary Examiner*—Cathron Brooks

*Assistant Examiner*—Rosemary K Tarcza

(74) *Attorney, Agent, or Firm*—Jacobson Holman PLLC

(57) **CLAIM**

I claim the ornamental design for the battery pack, as shown and described.

**DESCRIPTION**

FIG. 1 is a front perspective view of the battery pack embodying my design;

FIG. 2 is a bottom left perspective view of the battery pack as shown in FIG. 1;

FIG. 3 is a top plan view of the battery pack as shown in FIG. 1;

FIG. 4 is a bottom plan view of the battery pack as shown in FIG. 1;

FIG. 5 is a front elevational view of the battery pack as shown in FIG. 1; and,

FIG. 6 is a back elevational view of the battery pack as shown in FIG. 1.

The portions of the clip shown in broken lines form no part of the claimed design.

**1 Claim, 5 Drawing Sheets**

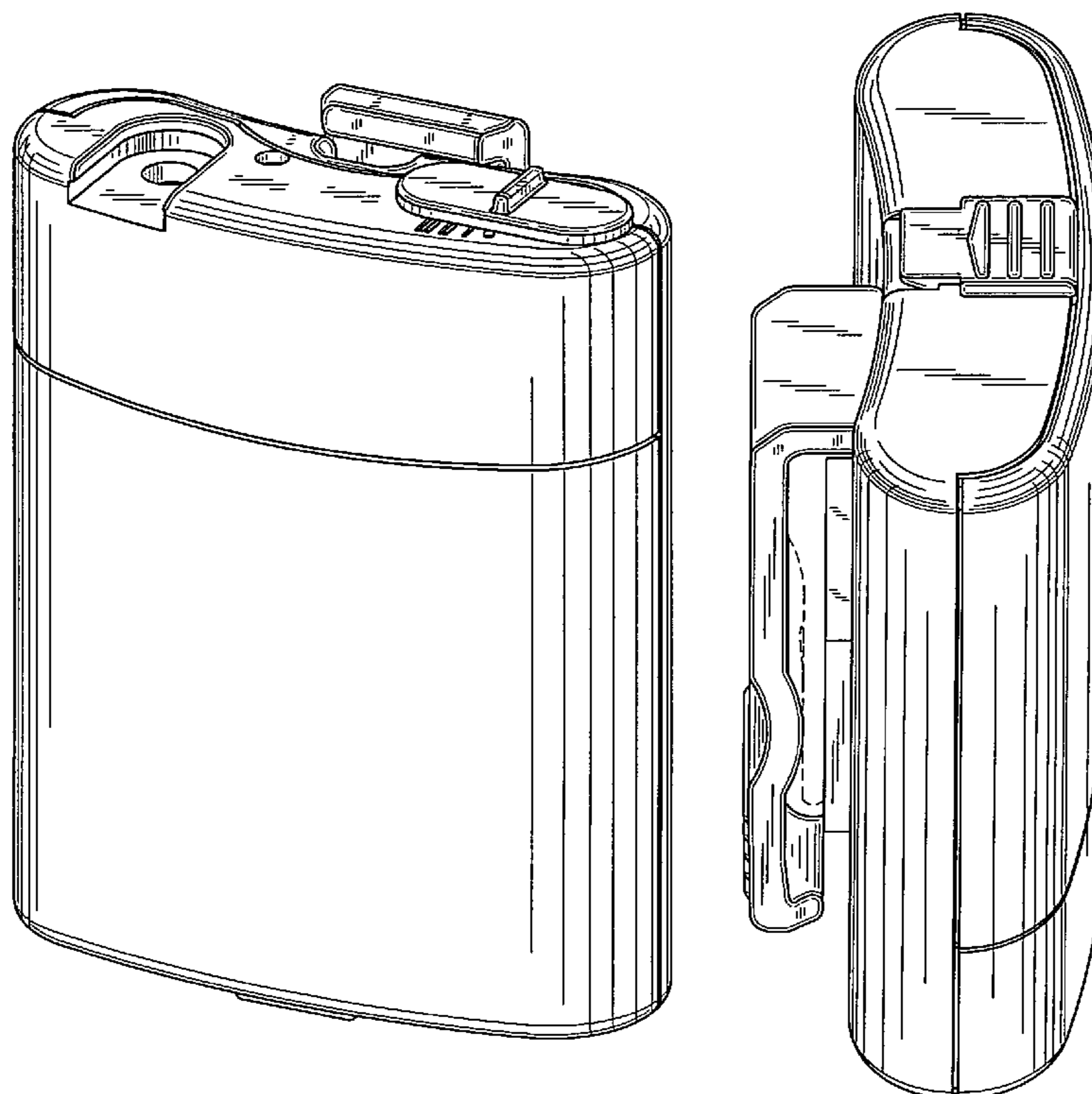


FIG. 1

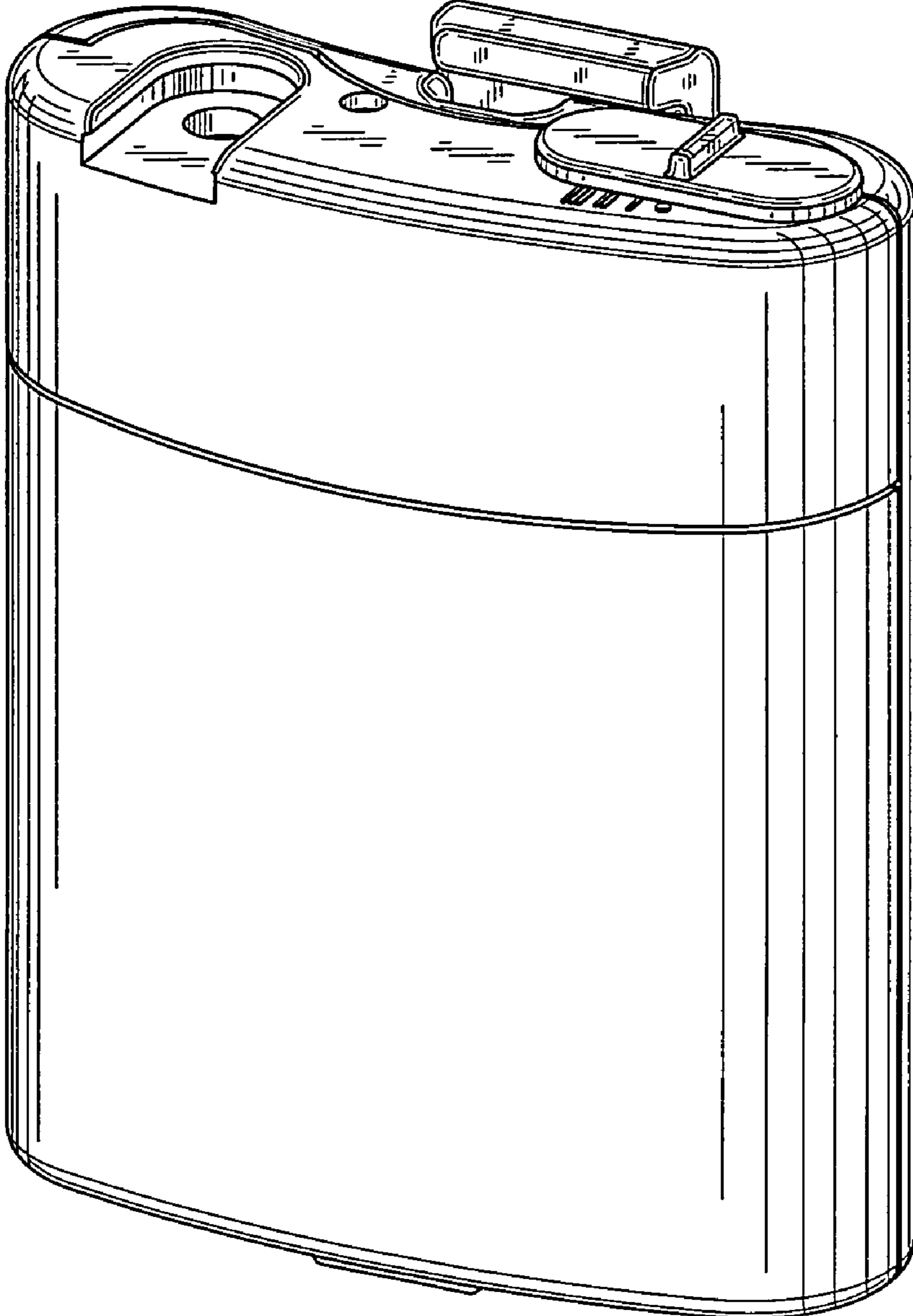


FIG. 2

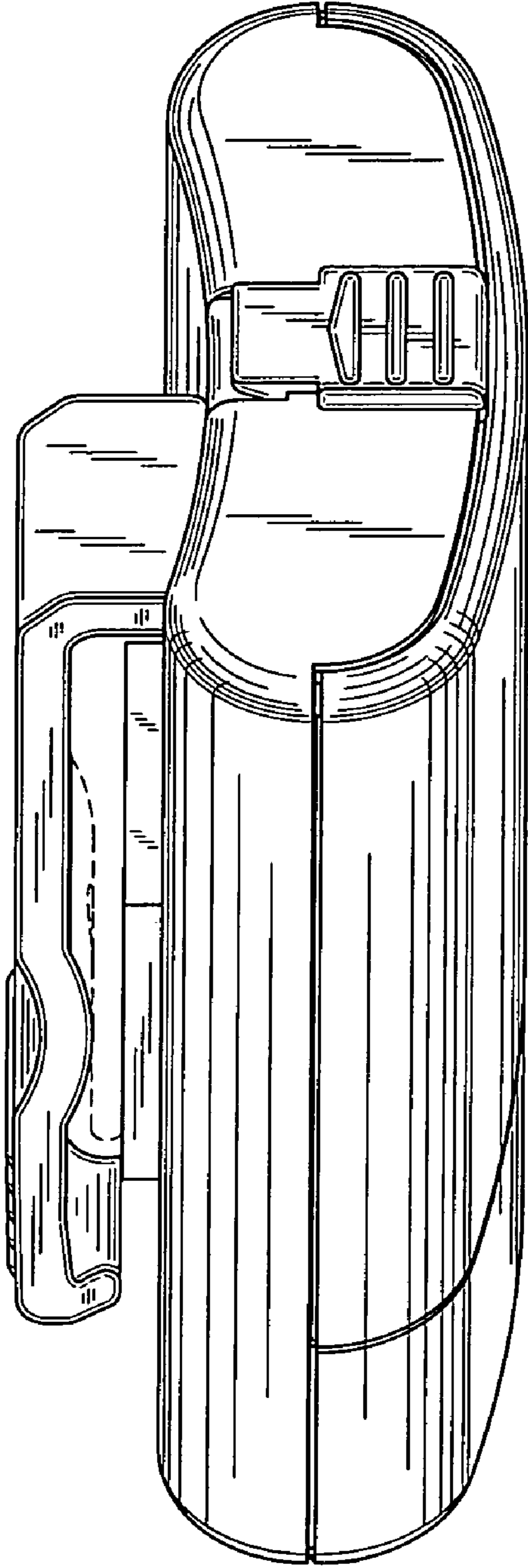


FIG. 3

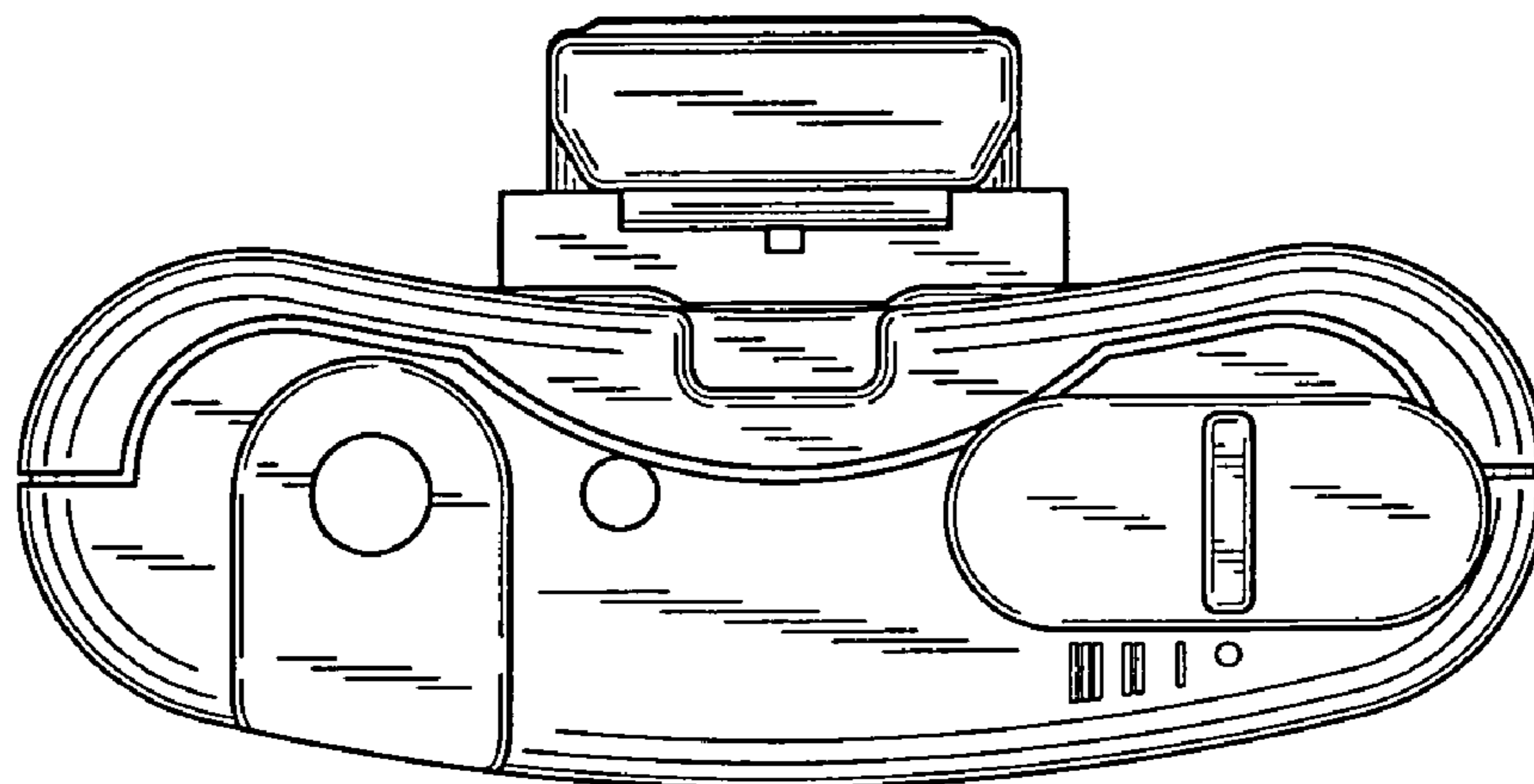


FIG. 4

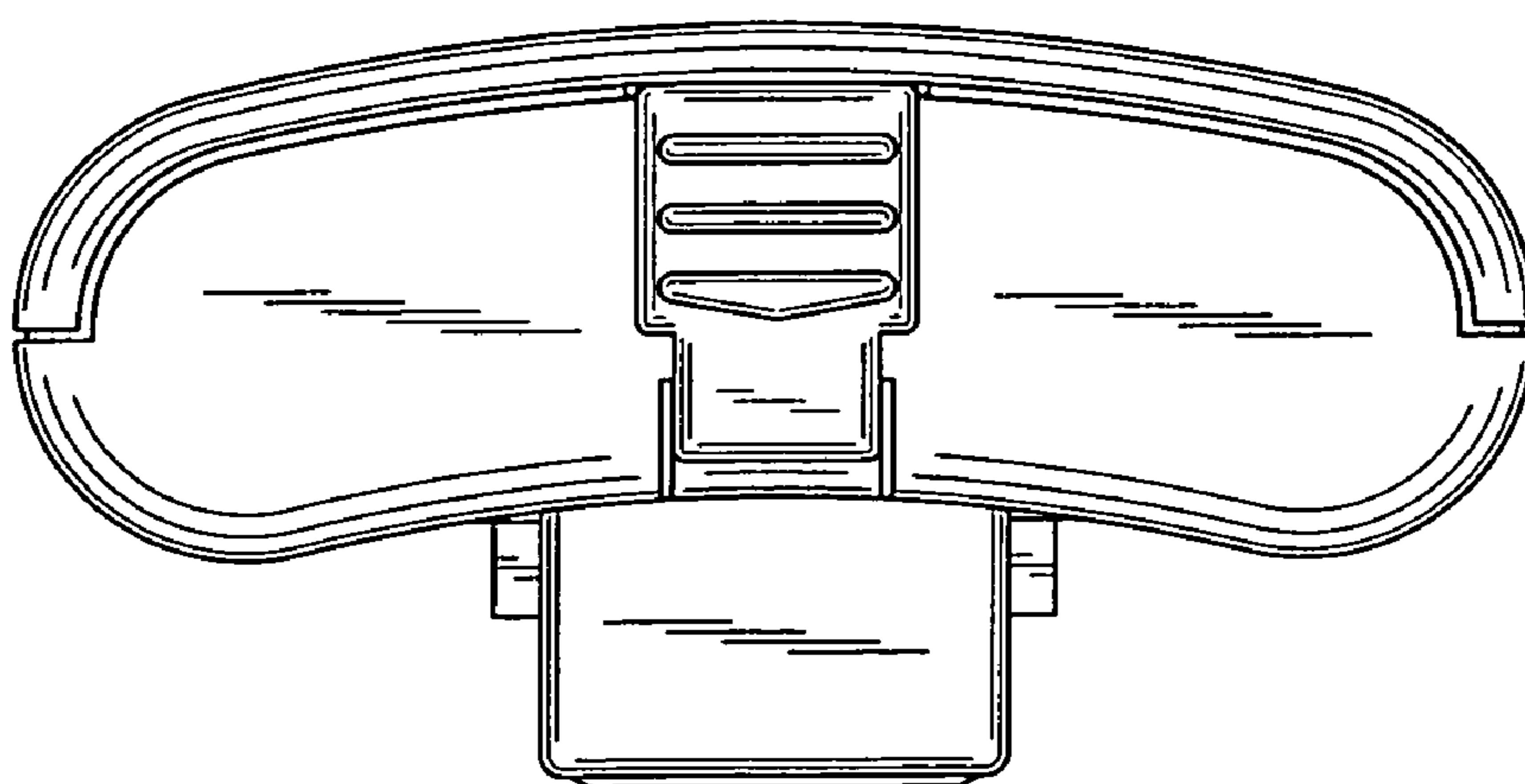


FIG. 5

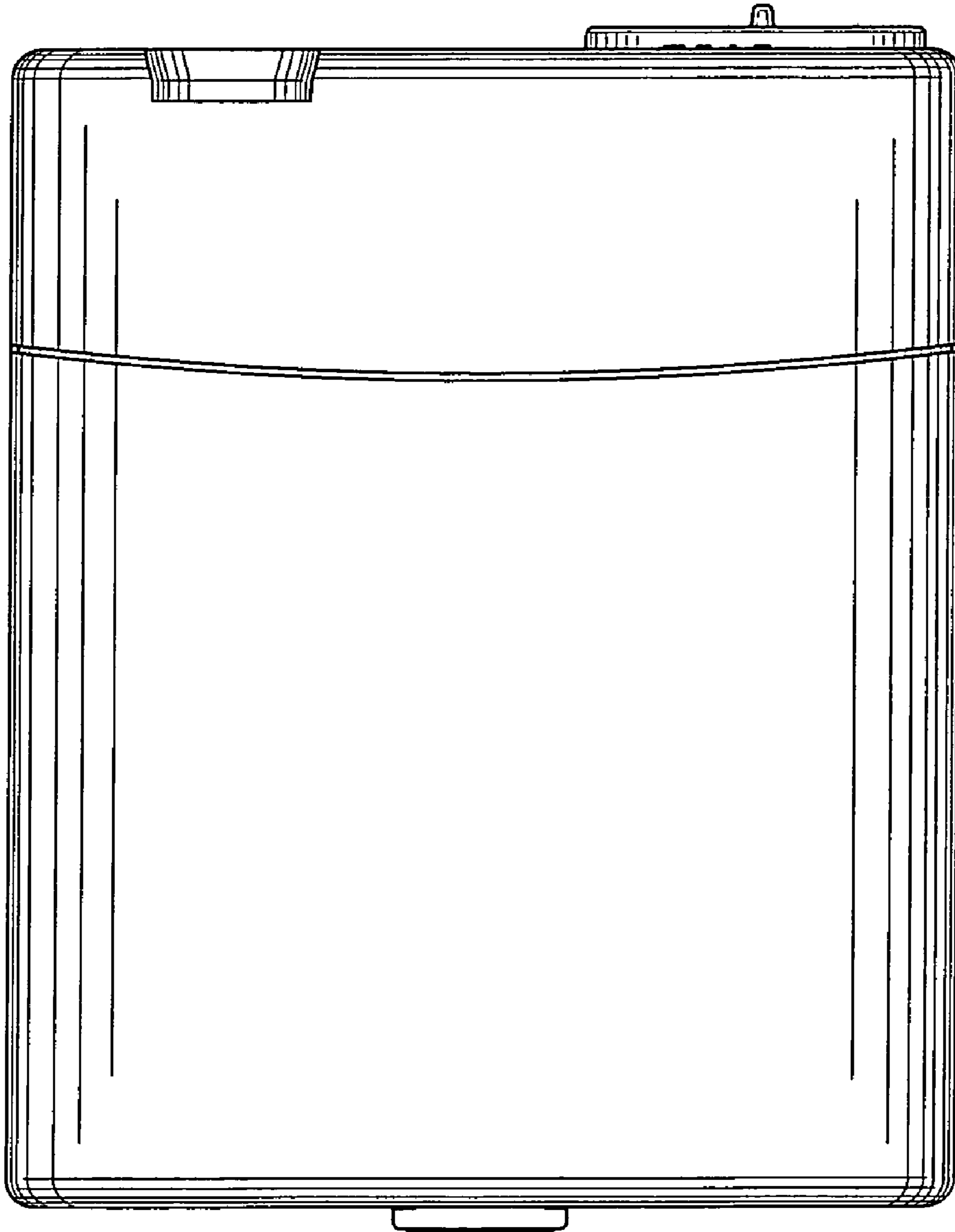


FIG. 6

