



US00D580348S

(12) **United States Design Patent**  
**Fontaine et al.**

(10) **Patent No.:** **US D580,348 S**

(45) **Date of Patent:** **\*\* Nov. 11, 2008**

(54) **TIRE**

D571,286 S \* 6/2008 Fontaine et al. .... D12/591

\* cited by examiner

(75) Inventors: **Sebastien Willy Fontaine**, Burden (LU);  
**Nicolas Claude Jean-Claude Froger**,  
Arlon (BE); **Bernard Jean Francois**  
**Croissant**, Bastogne (BE); **Alexander**  
**Ossipov**, Leuven (BE)

*Primary Examiner*—Stacia Cadmus

(74) *Attorney, Agent, or Firm*—Richard B. O’Planick

(73) Assignee: **The Goodyear Tire & Rubber**  
**Company**, Akron, OH (US)

(57) **CLAIM**

The ornamental design for a tire, as shown and described.

(\*\*) Term: **14 Years**

**DESCRIPTION**

(21) Appl. No.: **29/288,936**

FIG. 1 is a perspective view of a tire showing our new design,  
it being understood that the pattern repeats uniformly  
throughout the circumference of the tread;

(22) Filed: **Jun. 27, 2007**

FIG. 2 is a front elevational view thereof;

(51) **LOC (8) Cl.** ..... **12-15**

(52) **U.S. Cl.** ..... **D12/591**

(58) **Field of Classification Search** ..... D12/551–556,  
D12/583–591, 600; 152/209.1, 209.8–209.18,  
152/209.28, 455

FIG. 3 is a right side elevational view thereof; the opposite  
side elevational view being identical thereto;

FIG. 4 is an enlarged fragmentary front elevational view  
thereof;

See application file for complete search history.

FIG. 5 is a perspective view of a second embodiment of a tire  
showing our new design, it being understood that the pattern  
repeats uniformly throughout the circumference of the tread  
and that the opposite side perspective view is identical  
thereto; and,

(56) **References Cited**

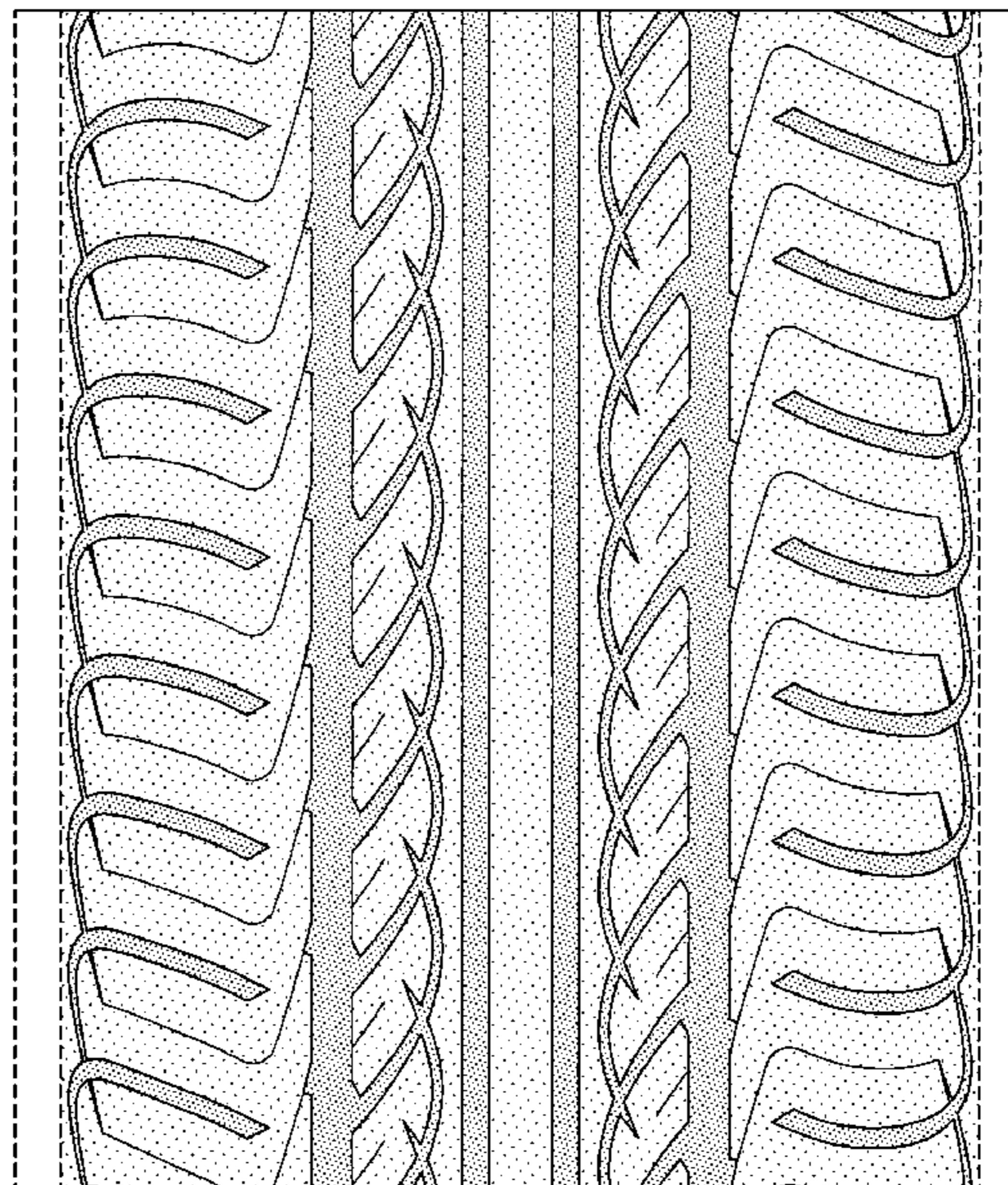
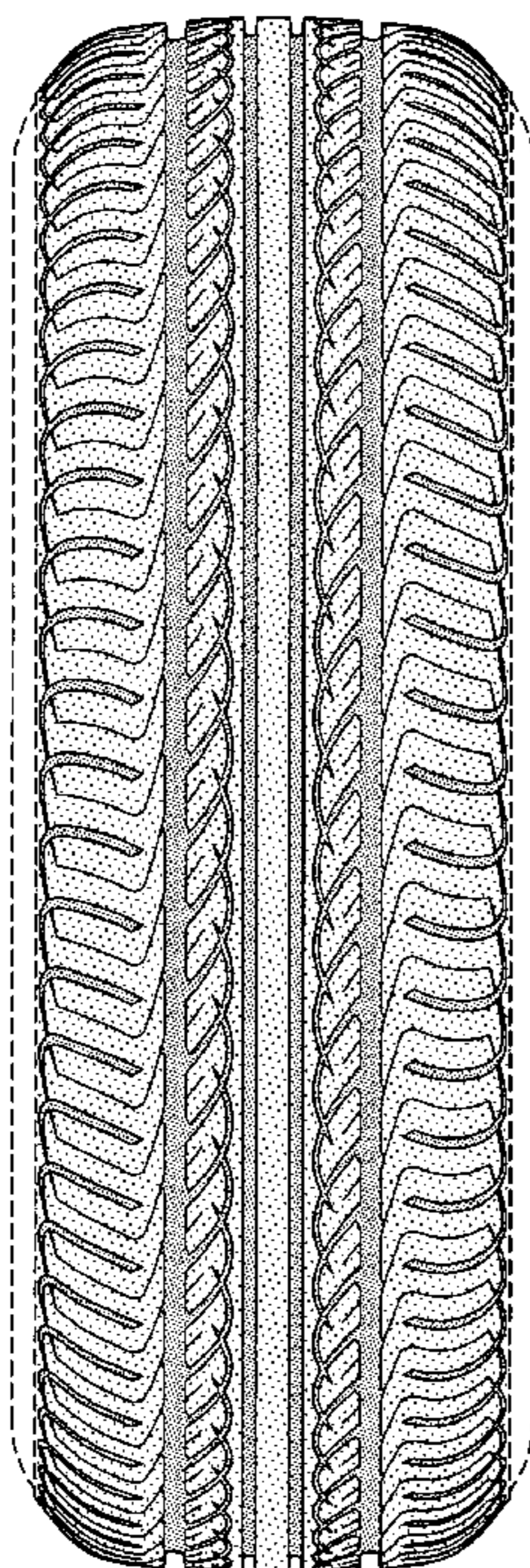
**U.S. PATENT DOCUMENTS**

D333,285 S *	2/1993	Hinrichsen et al. ....	D12/586
D388,035 S	12/1997	Heinen et al. ....	D12/147
D400,140 S *	10/1998	Graas .....	D12/587
D409,958 S *	5/1999	Gerresheim et al. ....	D12/591
D429,189 S *	8/2000	Boznar et al. ....	D12/591
D458,582 S *	6/2002	Rodicq et al. ....	D12/586
D484,848 S	1/2004	Heinen et al. ....	D12/556
D506,179 S *	6/2005	Iga et al. ....	D12/591
D513,402 S *	1/2006	Shirouzu .....	D12/590
D525,192 S	7/2006	Shondel et al. ....	D12/552

FIG. 6 is a front elevational view of a second embodiment, it  
being understood that an enlarged fragmentary view thereof  
would be substantially identical to that shown in FIG. 4, with  
the exception of the inclusion of the sidewall in solid lines.

In the drawings the broken lines defining the sidewall, inner  
bead and the peripheral boundary between the tire tread and  
the sidewall in FIGS. 1 through 4 are for illustrative purposes  
only and form no part of the claimed design.

**1 Claim, 6 Drawing Sheets**



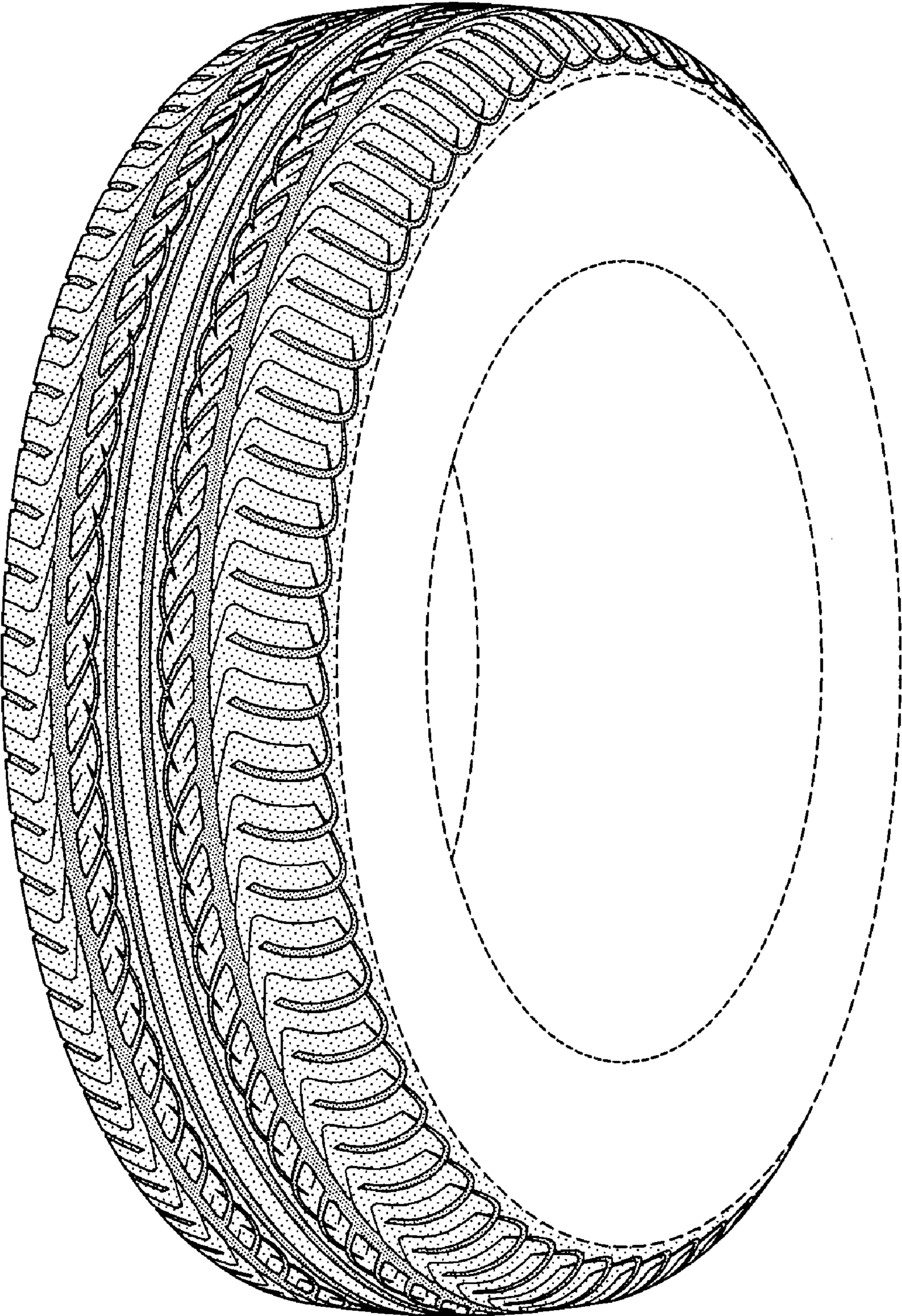


FIG-1

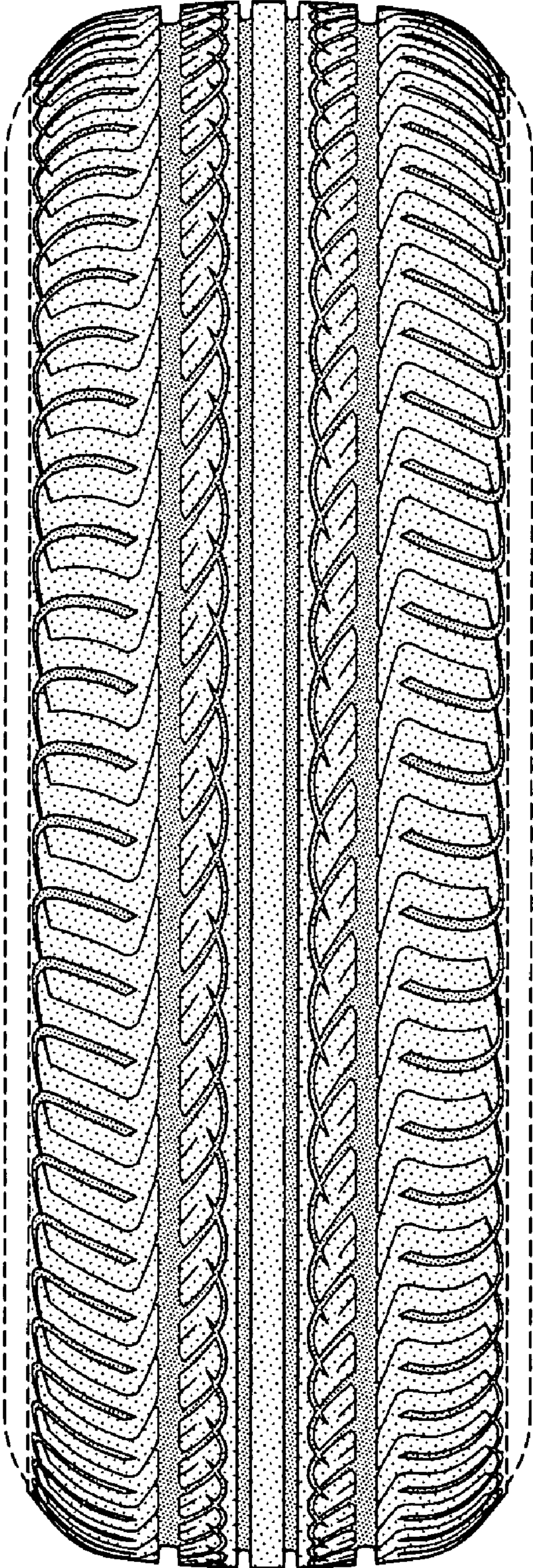


FIG-2

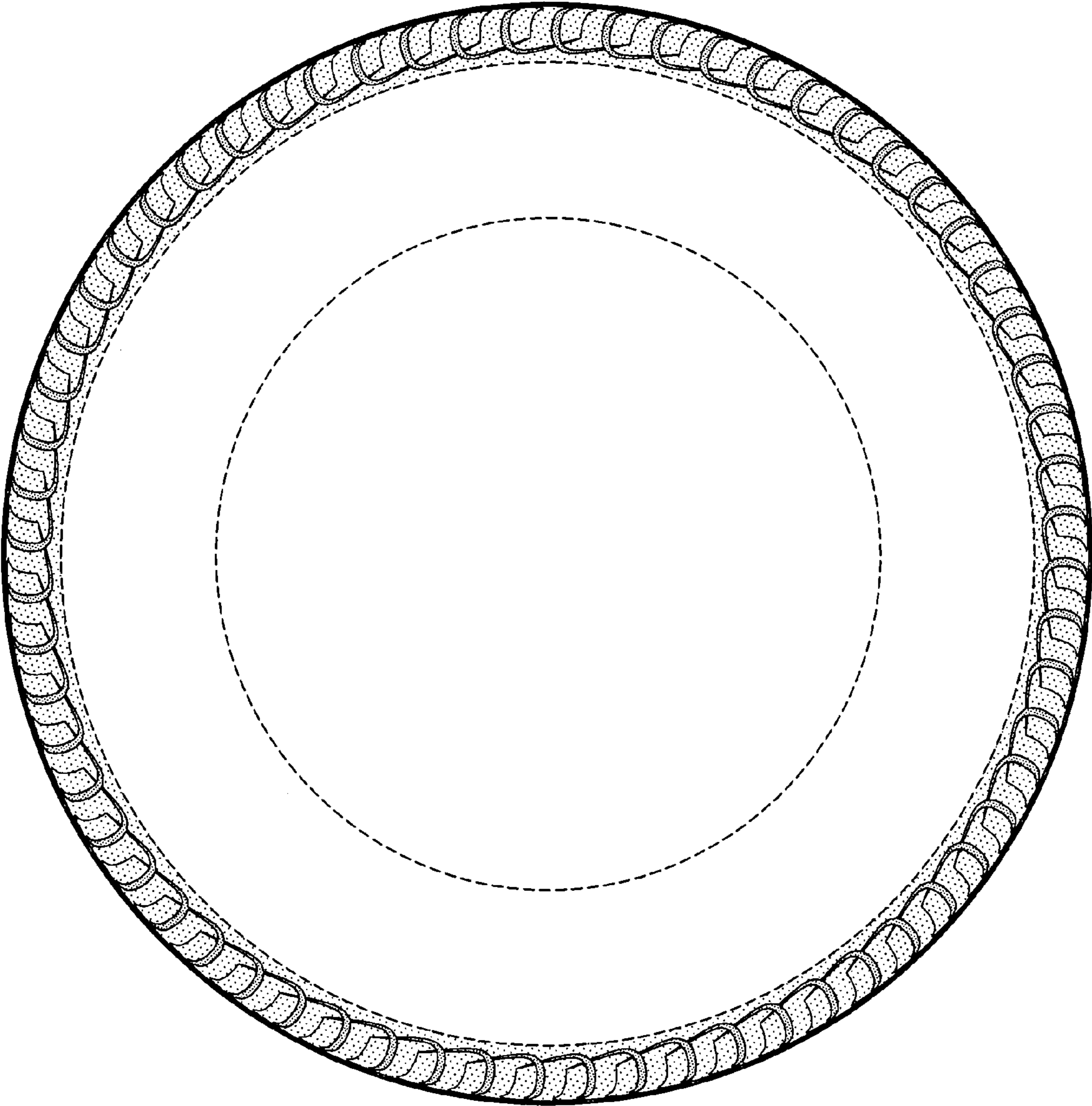


FIG-3

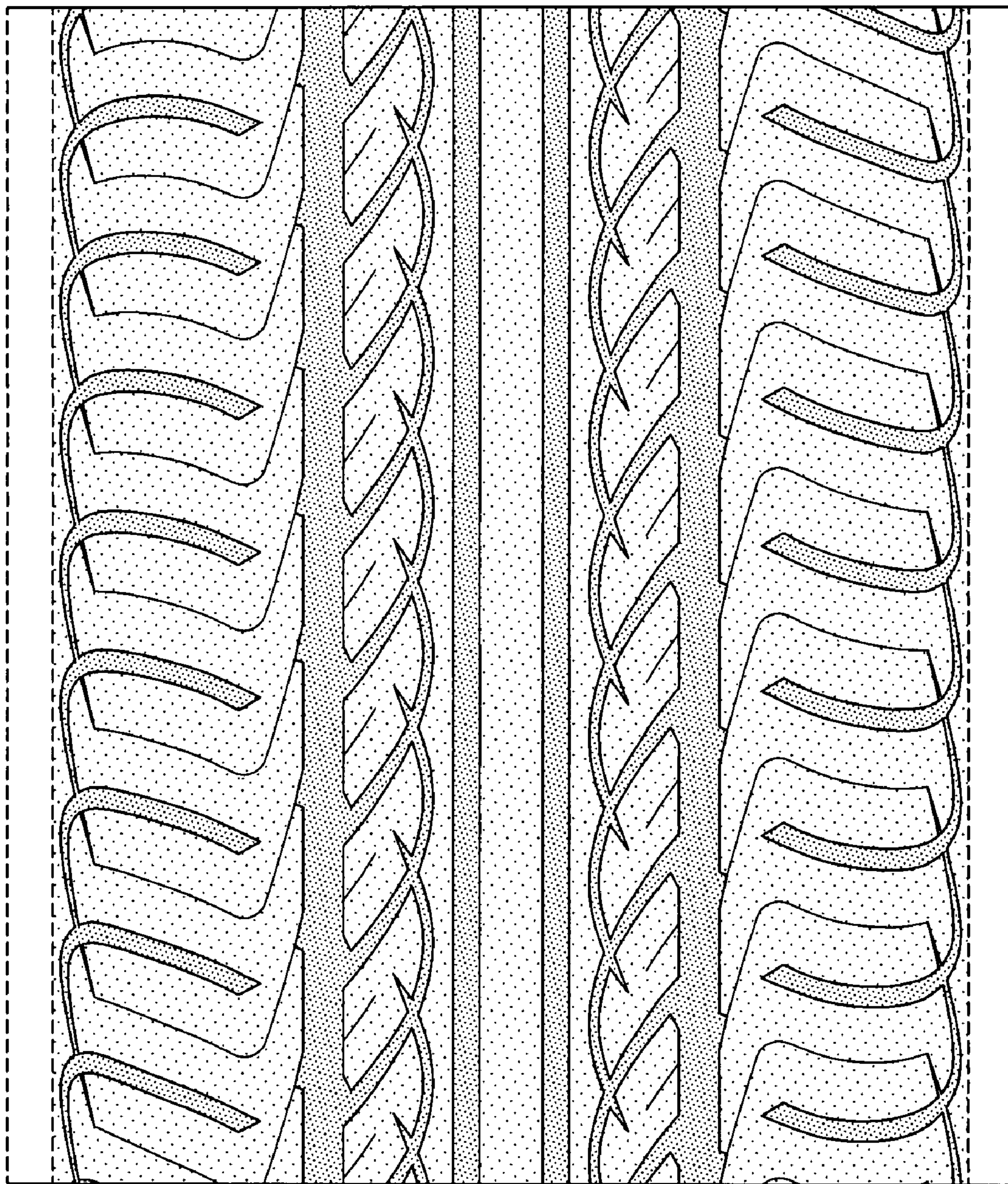


FIG-4

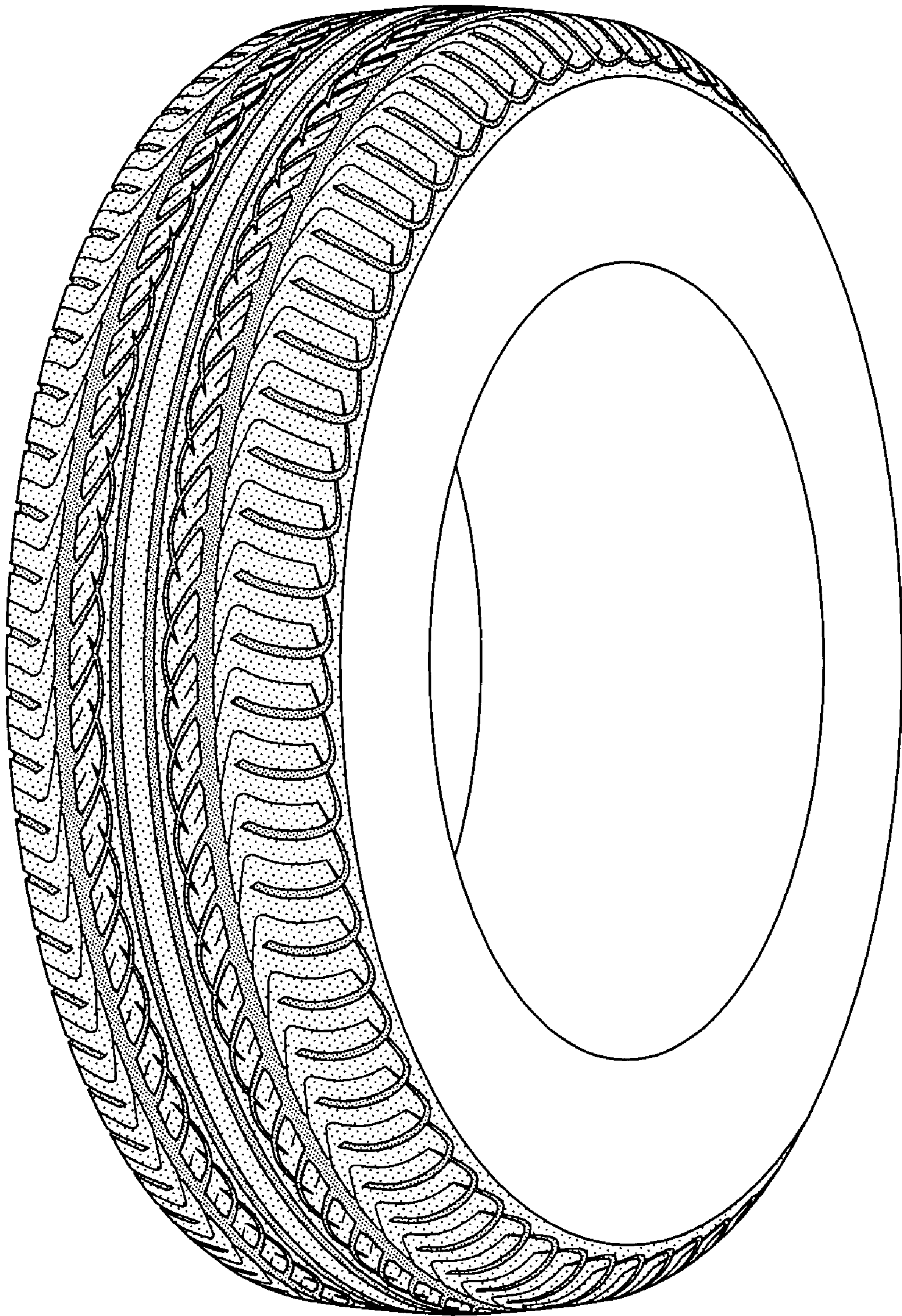


FIG-5

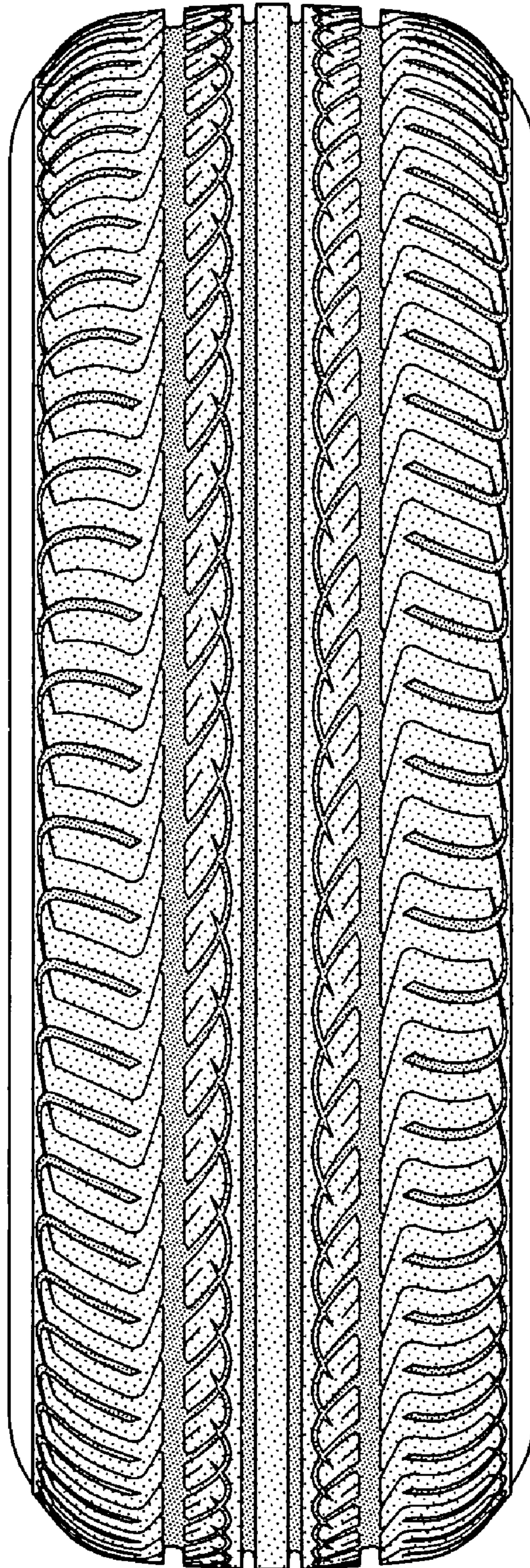


FIG-6