



US00D580339S

(12) **United States Design Patent**  
**McDougall**

(10) **Patent No.:** **US D580,339 S**

(45) **Date of Patent:** **\*\* Nov. 11, 2008**

(54) **BOAT ASSEMBLY**

(75) Inventor: **Andrew Graeme McDougall**,  
Beaumaris (AU)

(73) Assignee: **KA Sail Australia Pty, Ltd.**, Harwell  
Victoria (AU)

(\*\*) Term: **14 Years**

(21) Appl. No.: **29/274,324**

(22) Filed: **Apr. 16, 2007**

(51) **LOC (8) Cl.** ..... **12-06**

(52) **U.S. Cl.** ..... **D12/300**

(58) **Field of Classification Search** ..... D12/300,  
D12/302, 303, 304, 316, 317; 114/343, 345,  
114/347, 348, 351-358, 363, 123; D21/542,  
D21/801

See application file for complete search history.

(56) **References Cited**

**U.S. PATENT DOCUMENTS**

- D218,859 S \* 9/1970 Gallagher ..... D12/302
- 3,954,077 A \* 5/1976 Piat-Marchand ..... 114/123
- D322,773 S \* 12/1991 Kissel et al. .... D12/302

- D326,442 S \* 5/1992 Shutt ..... D12/306
- D326,840 S \* 6/1992 Bullock ..... D12/302
- D394,629 S \* 5/1998 Lincoln ..... D12/302
- 6,000,355 A \* 12/1999 Hall ..... 114/123

\* cited by examiner

*Primary Examiner*—Holly H Baynham

*Assistant Examiner*—Cynthia M Chin

(74) *Attorney, Agent, or Firm*—Novak Druce & Quigg LLP

(57) **CLAIM**

The ornamental design for a boat assembly, as shown and described.

**DESCRIPTION**

FIG. 1 is a perspective view of the boat assembly of the invention;

FIG. 2 is a rear view of the boat assembly;

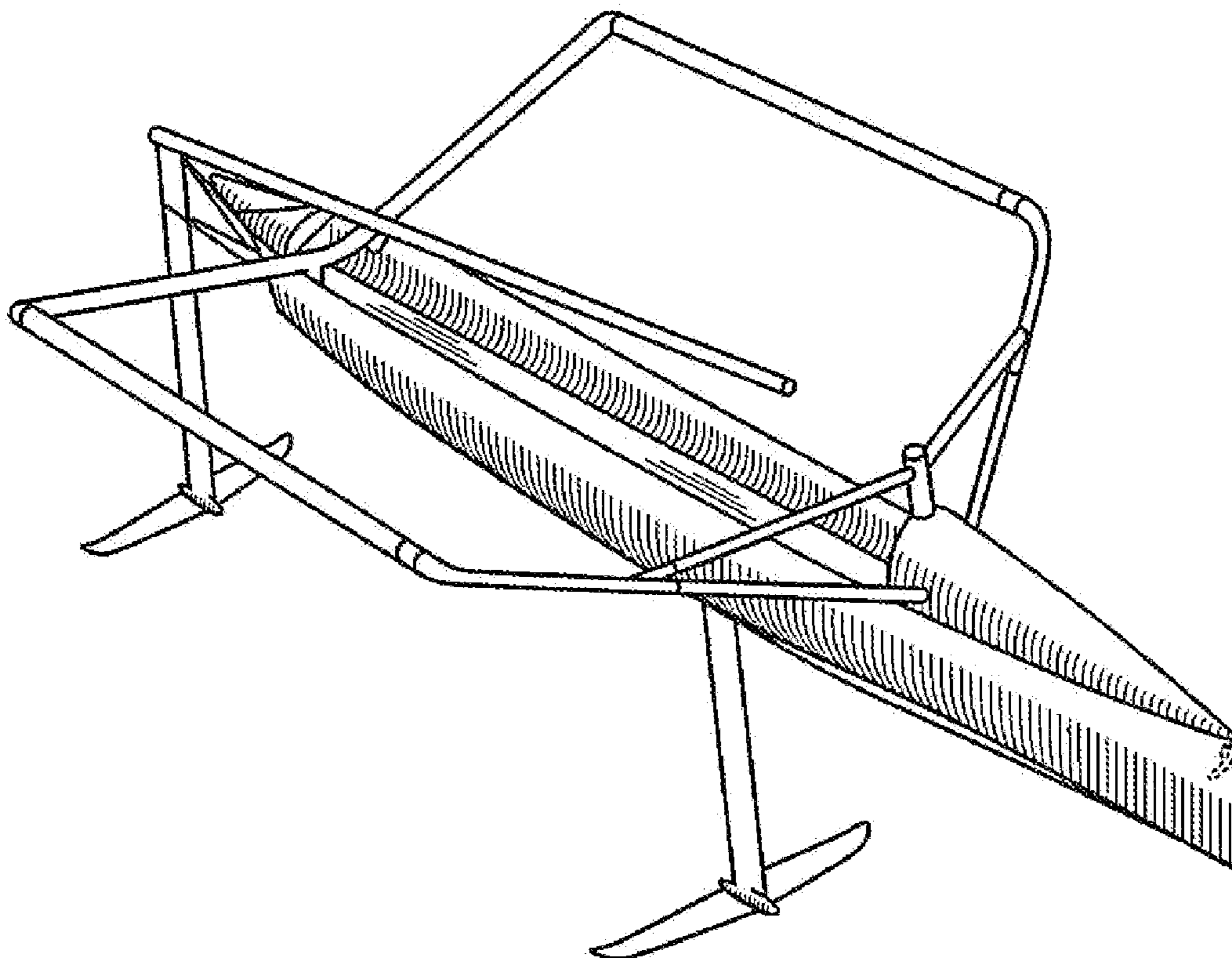
FIG. 3 is a front view of the boat assembly;

FIG. 4 is a top view of the boat assembly; and,

FIG. 5 is a left side view of the boat assembly; the right side view of the boat assembly being a mirror image thereof.

Dotted lines do not form part of the patented design.

**1 Claim, 2 Drawing Sheets**



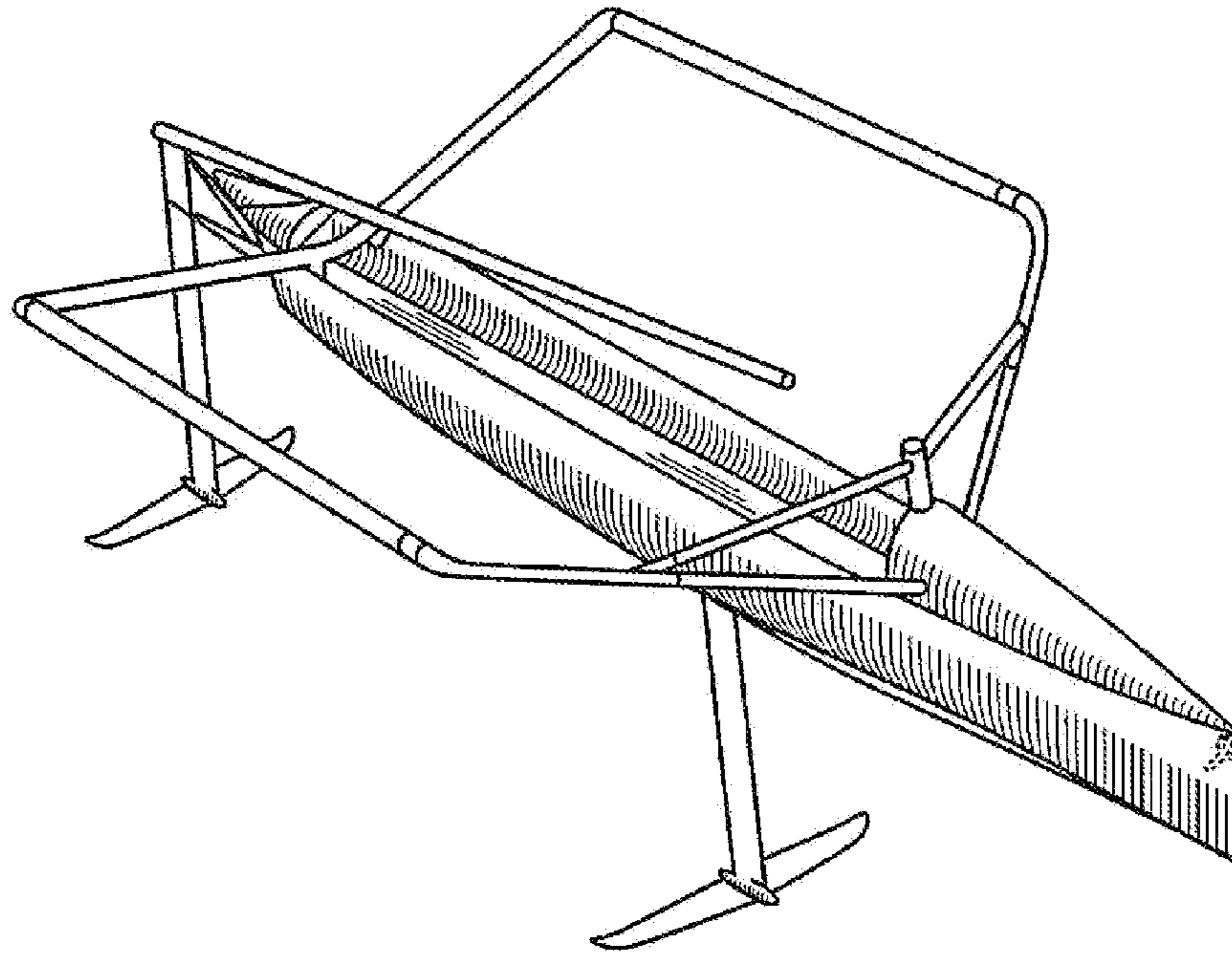


FIG. 1

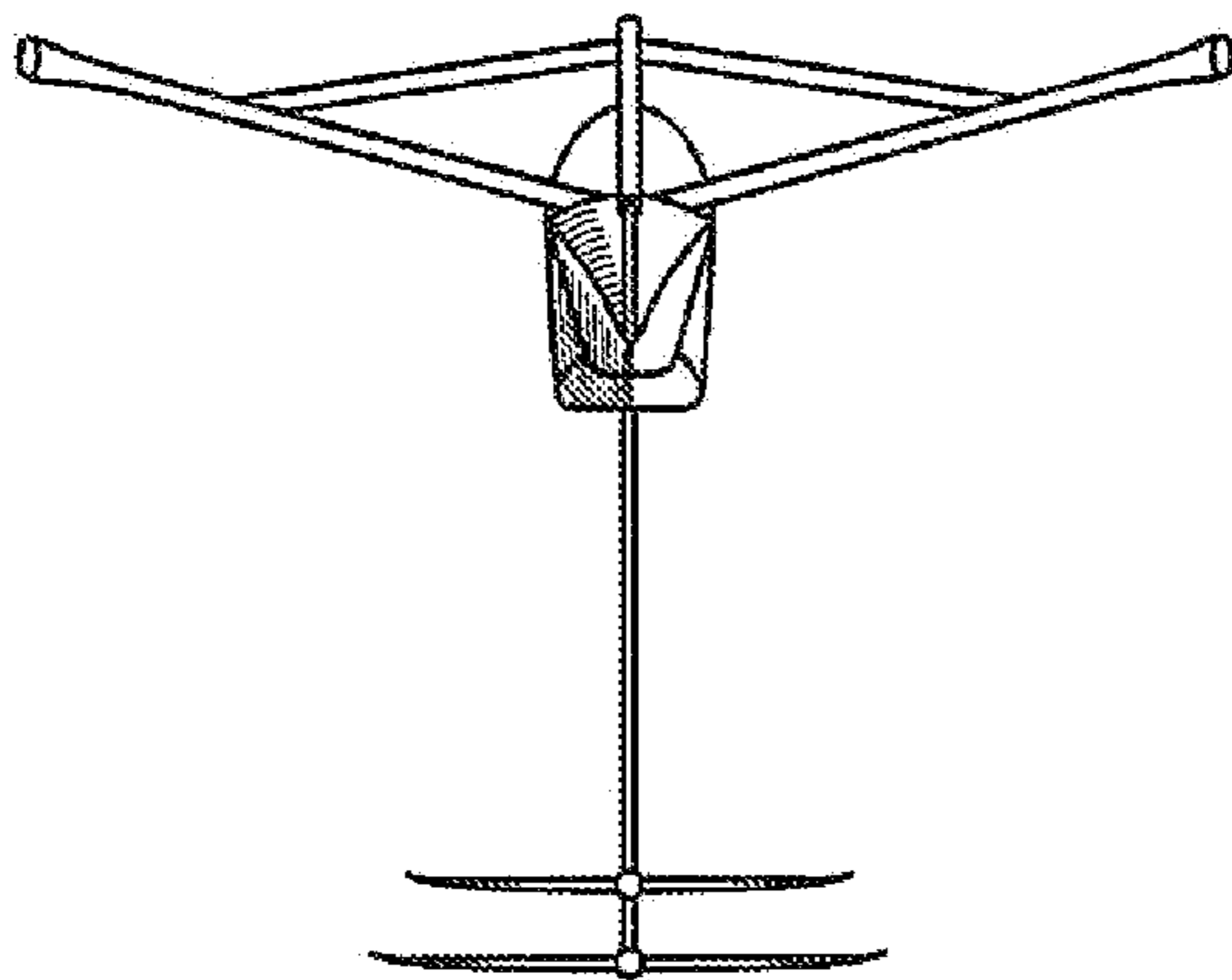


FIG. 2

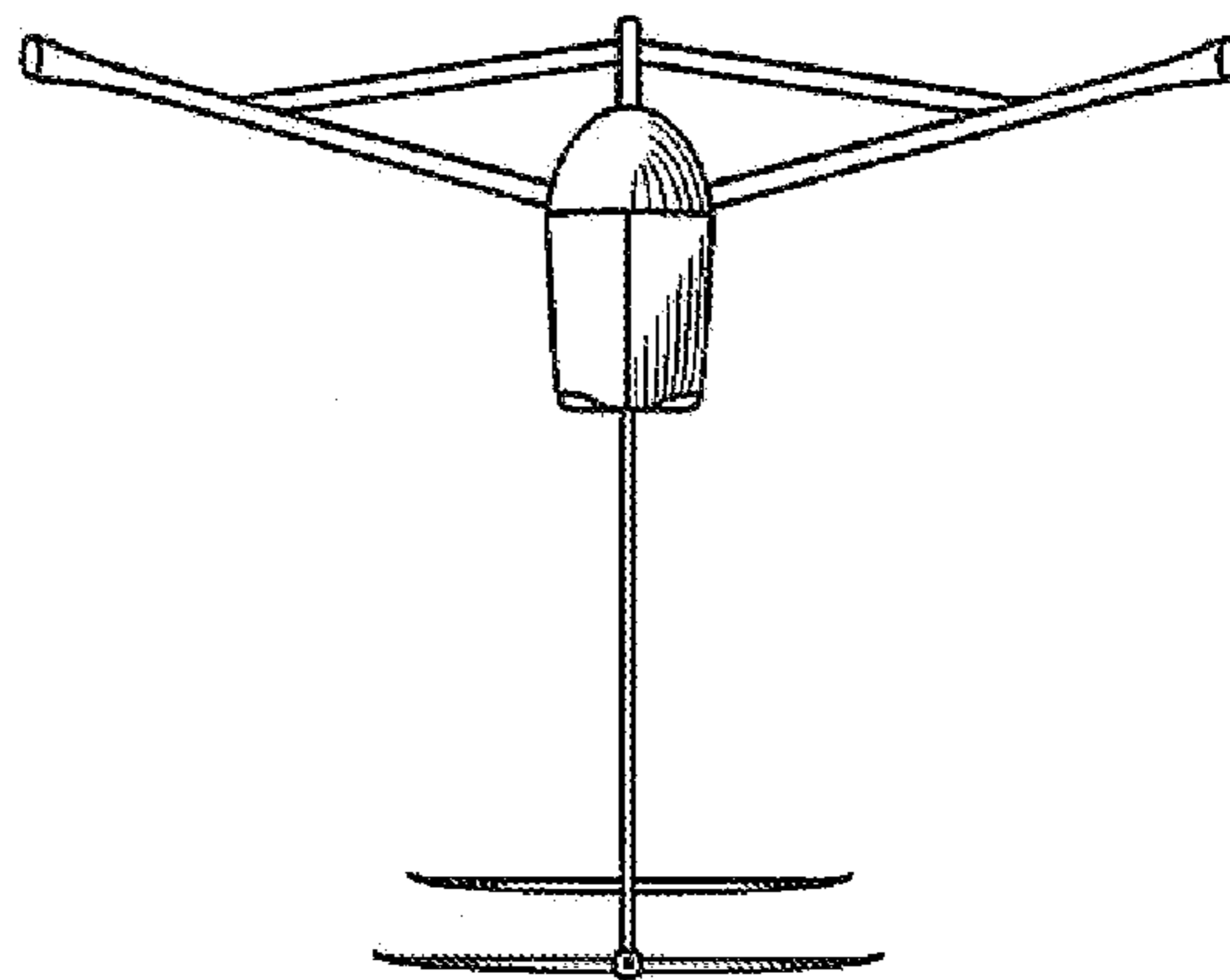


FIG. 3

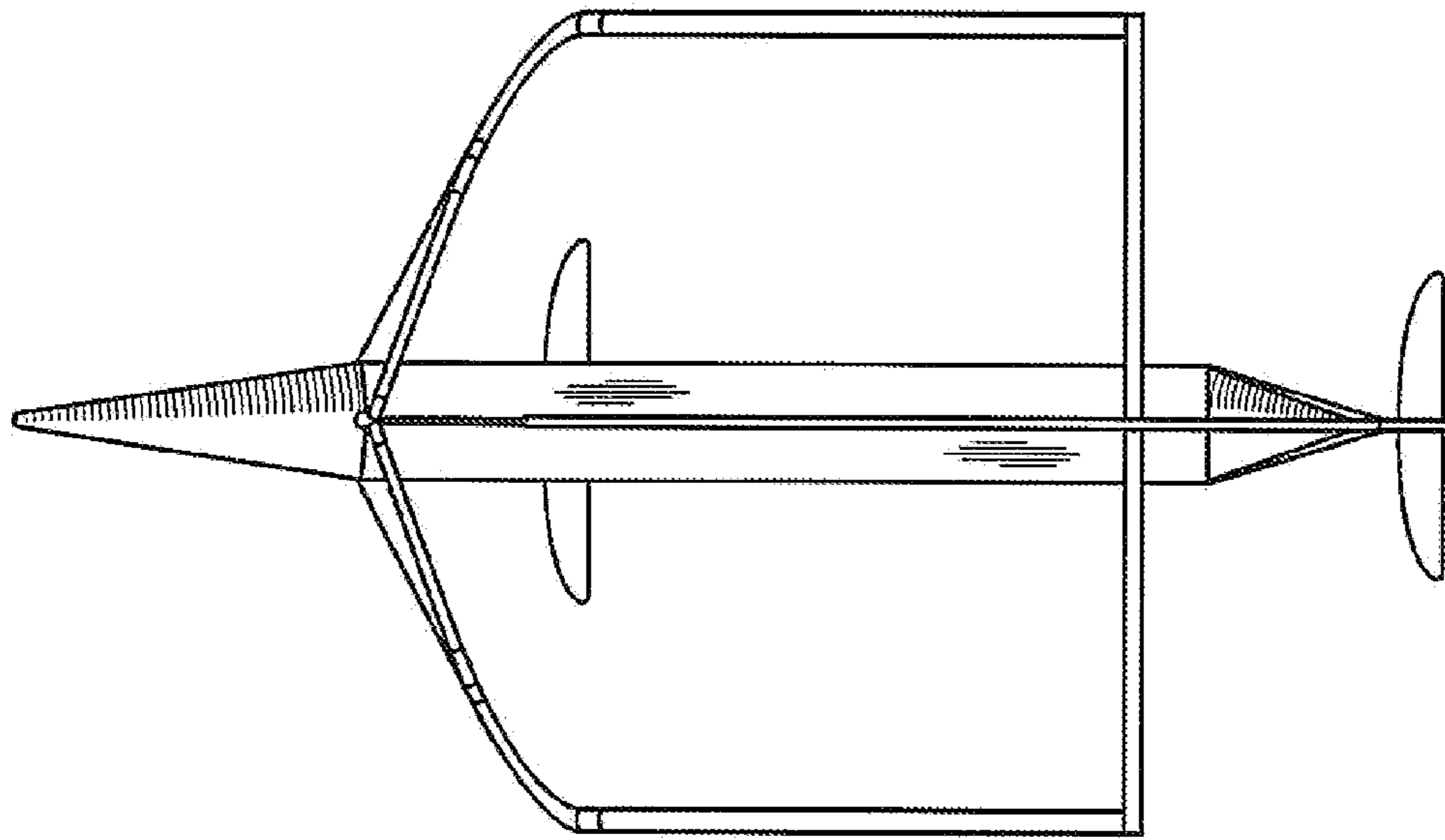


FIG. 4

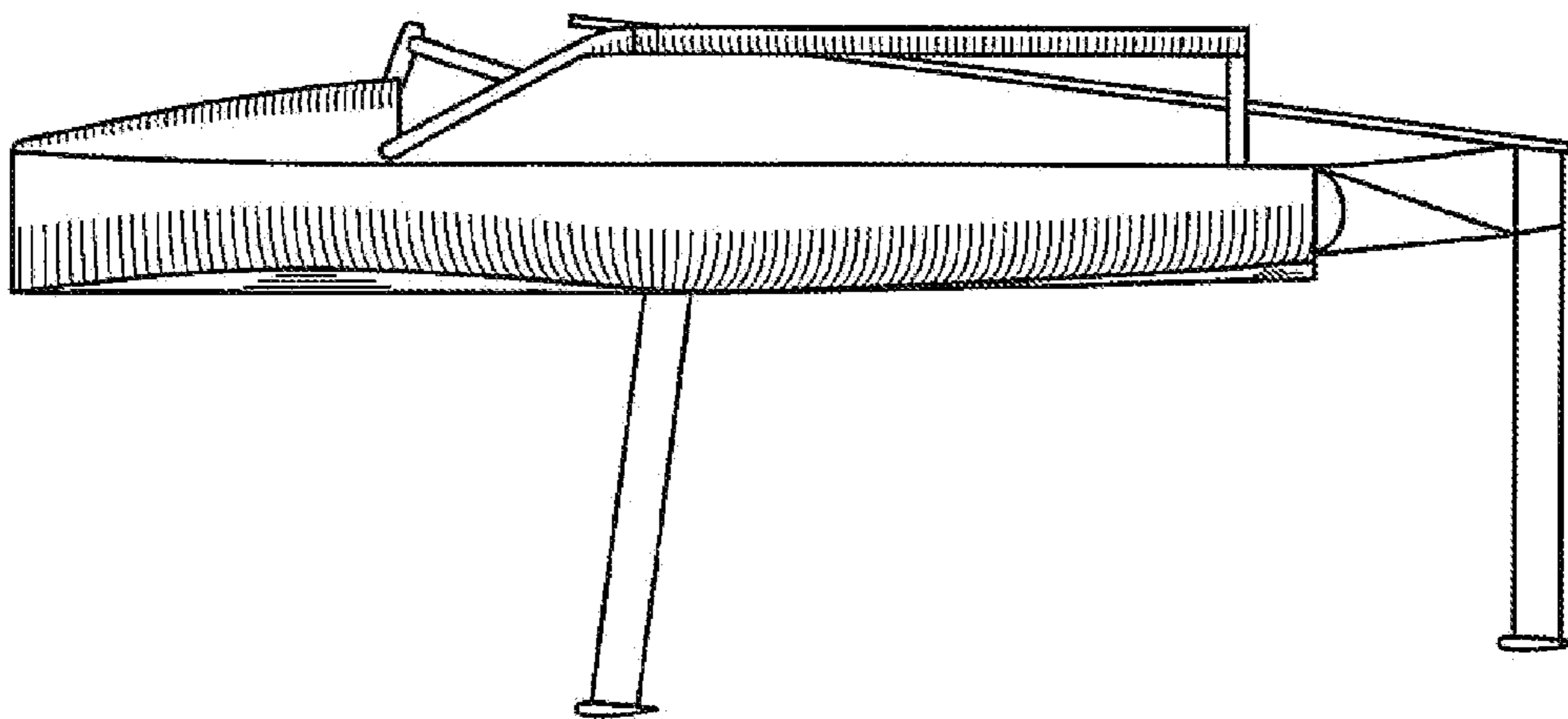


FIG. 5