



US00D580338S

(12) **United States Design Patent**
Blake

(10) **Patent No.:** **US D580,338 S**

(45) **Date of Patent:** **** Nov. 11, 2008**

(54) **SIDE MOUNT BRACKET FOR
MOTORCYCLE LICENSE PLATE**

D539,208 S * 3/2007 Reimitz D12/223
2002/0067022 A1 6/2002 Grove

(76) Inventor: **Barry G. Blake**, 1151 Old Augusta Rd.
South, Rincon, GA (US) 31326

* cited by examiner

Primary Examiner—Holly H. Baynham

Assistant Examiner—Sheryl Lane

(74) *Attorney, Agent, or Firm*—Richard C. Litman

(**) Term: **14 Years**

(21) Appl. No.: **29/290,417**

(57) **CLAIM**

(22) Filed: **Dec. 4, 2007**

The ornamental design for a side mount bracket for motorcycle license plate, as shown and described.

(51) **LOC (8) Cl.** **12-06**

(52) **U.S. Cl.** **D12/223**

(58) **Field of Classification Search** D12/223,
D12/114, 193; 280/288.4, 152.1; 40/209;
D8/349, 354

DESCRIPTION

See application file for complete search history.

FIG. 1 is an environmental perspective view of a side mount bracket for motorcycle license plate showing my new design;

FIG. 2 is a front elevational, with the rear elevational view, being a mirror image view thereof;

FIG. 3 is a left side elevational view thereof;

FIG. 4 is a right side elevational view thereof;

FIG. 5 is a top plan view thereof; and,

FIG. 6 is a bottom plan view thereof.

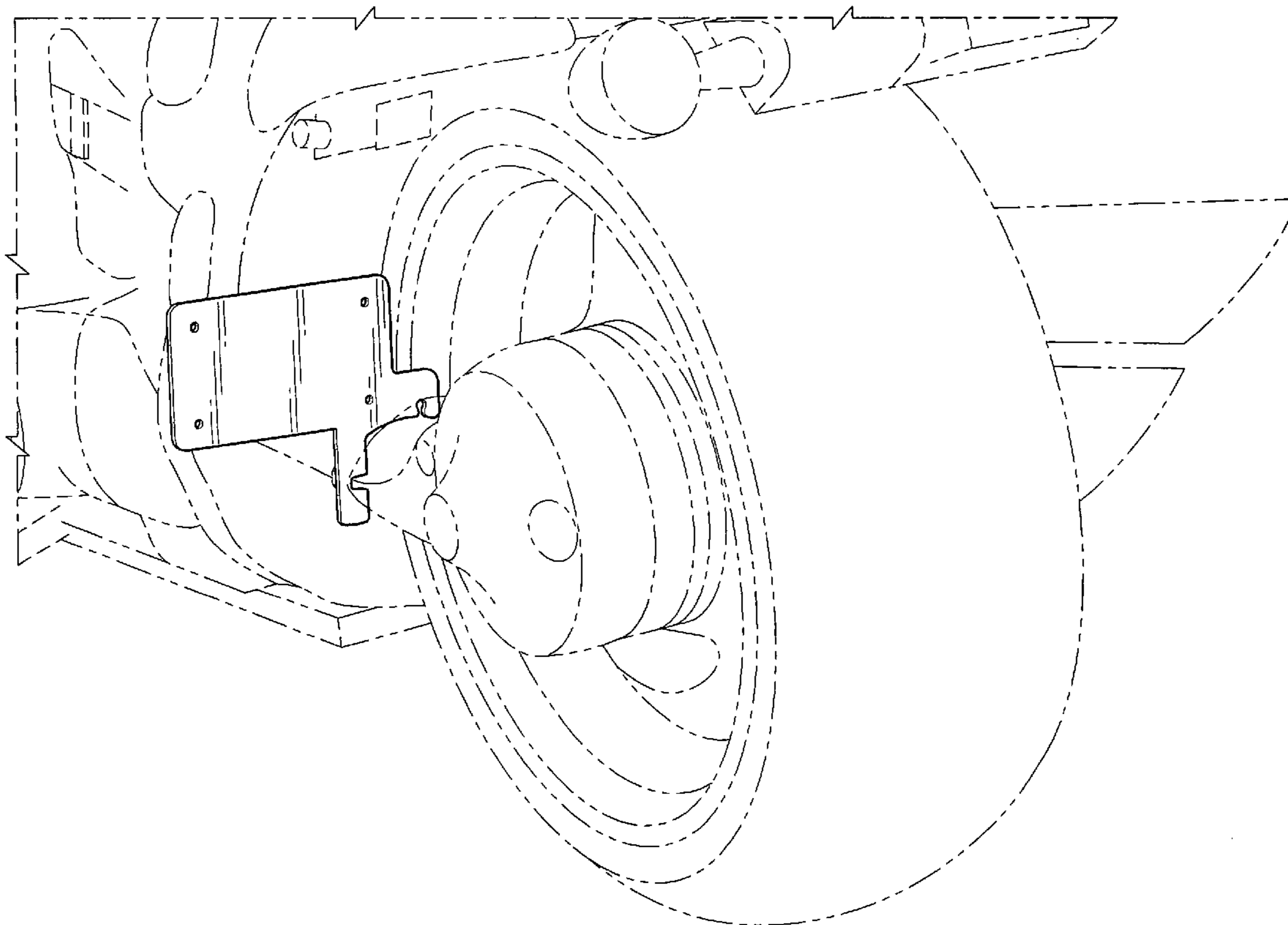
The broken line showing of a motorcycle in FIG. 1 is for illustrative purposes only and forms no part of the claimed design.

(56) **References Cited**

U.S. PATENT DOCUMENTS

3,186,665	A *	6/1965	Cole et al.	248/475.1
4,958,451	A *	9/1990	Iwakura et al.	40/204
D442,539	S *	5/2001	Nickel	D12/223
6,592,137	B2 *	7/2003	Grove	280/288.4
6,957,820	B1	10/2005	Stefani		
D523,802	S *	6/2006	Reimitz	D12/223
D533,828	S *	12/2006	Reimitz	D12/223
D535,243	S *	1/2007	Andkjar	D12/223
D538,734	S *	3/2007	Reimitz	D12/223

1 Claim, 4 Drawing Sheets



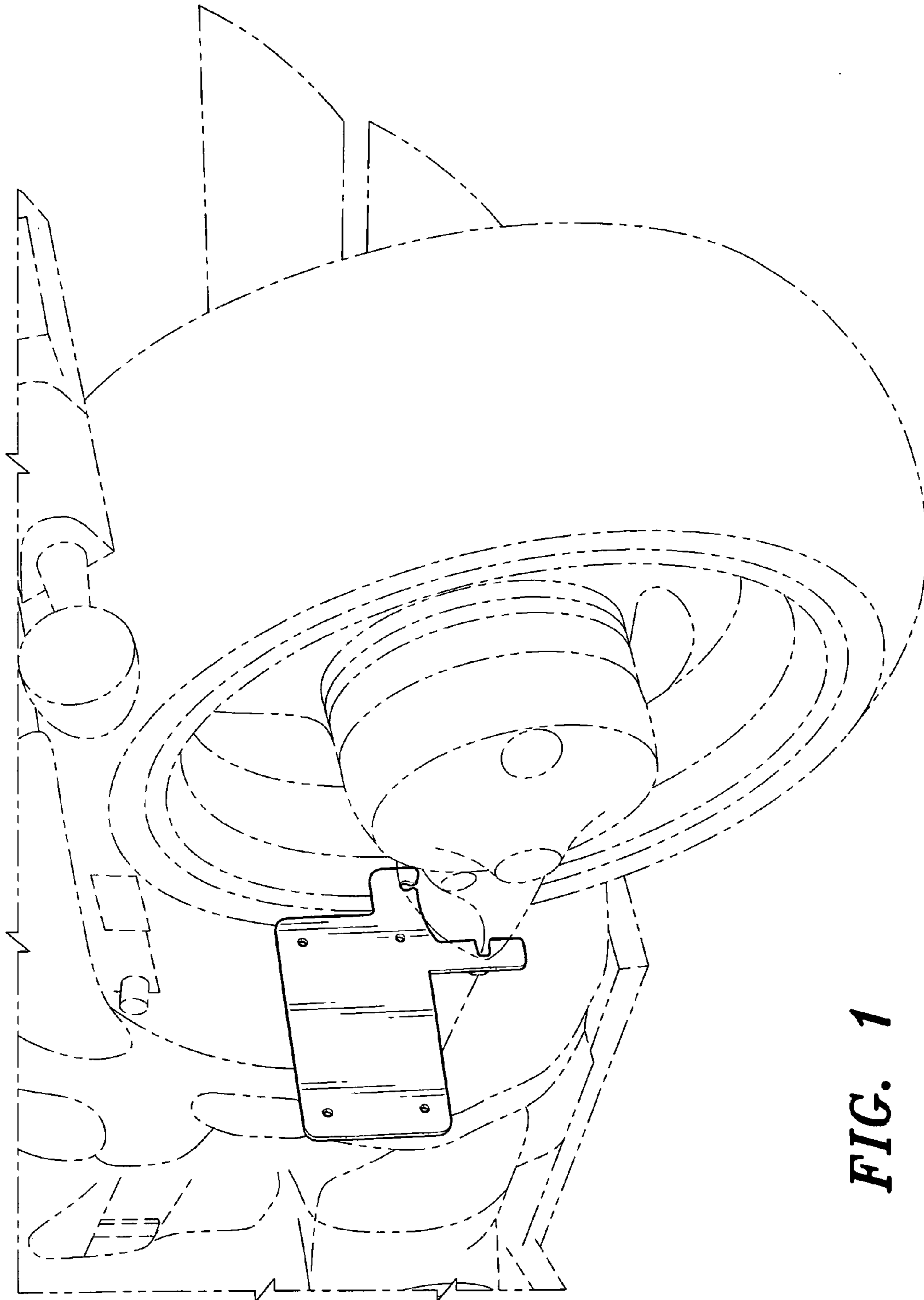


FIG. 1

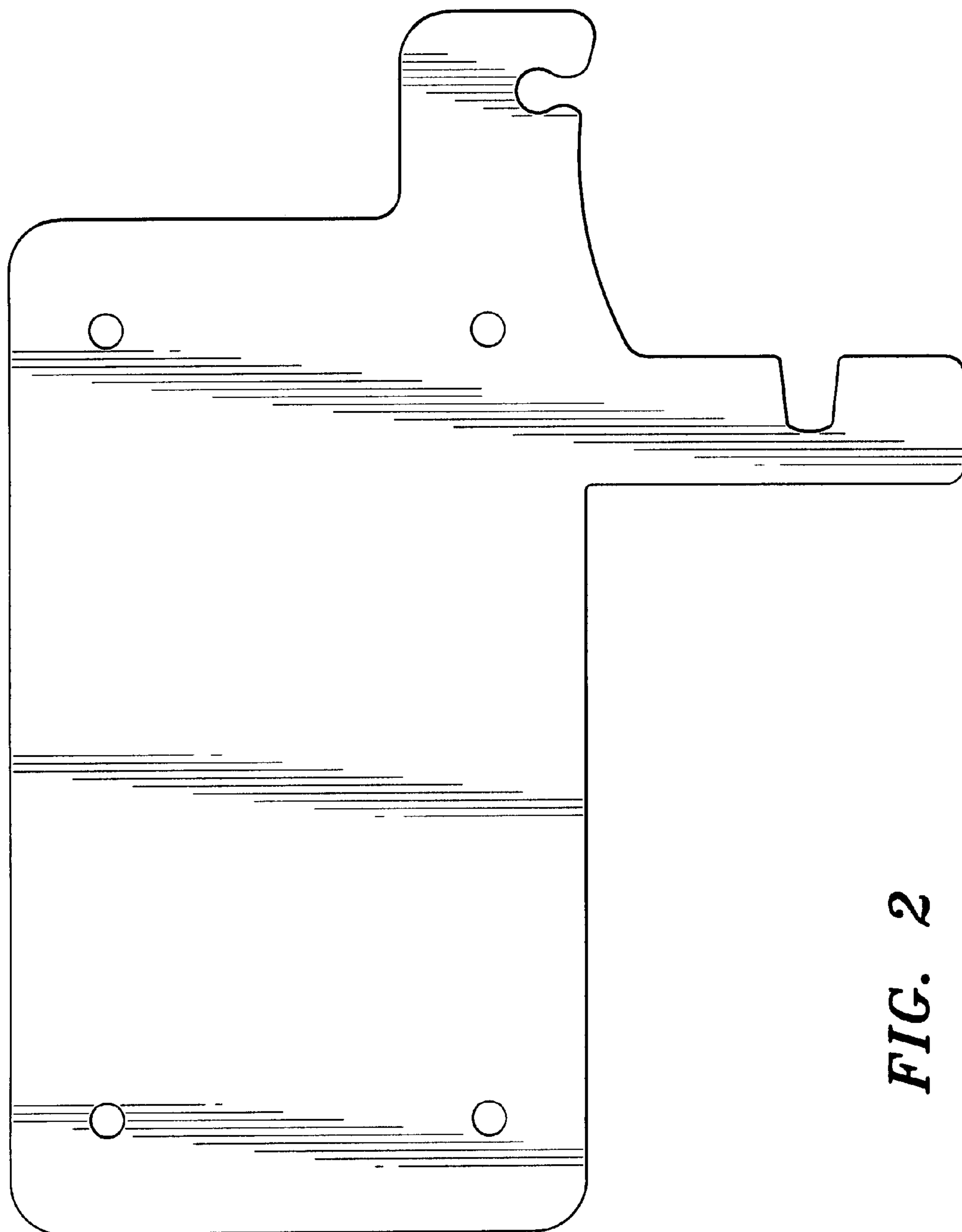


FIG. 2



FIG. 3

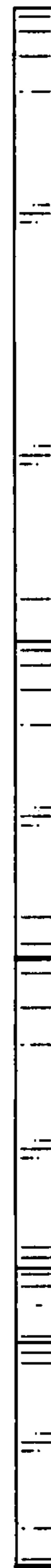


FIG. 4



FIG. 5



FIG. 6