



US00D580337S

(12) **United States Design Patent**  
**Rousseau**

(10) **Patent No.:** **US D580,337 S**  
(45) **Date of Patent:** **\*\* Nov. 11, 2008**

(54) **SIDE-LOCK FLAT BLADE CONNECTOR**

(75) Inventor: **Jean-Francois Rousseau**, Charbonnier  
les Mines (FR)

(73) Assignee: **Valeo Systemes**, La Verriere (FR)

(\*\*) Term: **14 Years**

(21) Appl. No.: **29/293,004**

(22) Filed: **Nov. 6, 2007**

(51) **LOC (8) Cl.** ..... **12-06**

(52) **U.S. Cl.** ..... **D12/220**

(58) **Field of Classification Search** ..... D12/219-220;  
15/246, 247, 250.001, 250.41, 250.4, 250.361,  
15/250.19, 250.48, 250.03, 250.31-250.33,  
15/250.351, 250.38, 250.201, 250.451-458,  
15/250.04, 250.07, 250.44

See application file for complete search history.

(56) **References Cited**

**U.S. PATENT DOCUMENTS**

2,310,751 A \* 2/1943 Scinta ..... 15/250.32  
2,443,113 A \* 6/1948 Nesson ..... 15/250.32  
D332,241 S \* 1/1993 Charet et al. .... D12/220  
D353,358 S \* 12/1994 Lee ..... D12/220

D353,359 S \* 12/1994 Lee ..... D12/220  
D357,891 S \* 5/1995 Lee ..... D12/220  
5,682,639 A \* 11/1997 Teindas ..... 15/250.46  
5,807,016 A \* 9/1998 Herring et al. .... 403/321  
D540,243 S \* 4/2007 Herring et al. .... D12/220

\* cited by examiner

*Primary Examiner*—Robert M. Spear

*Assistant Examiner*—Katrina A Kile

(74) *Attorney, Agent, or Firm*—Sofer & Haran, LLP

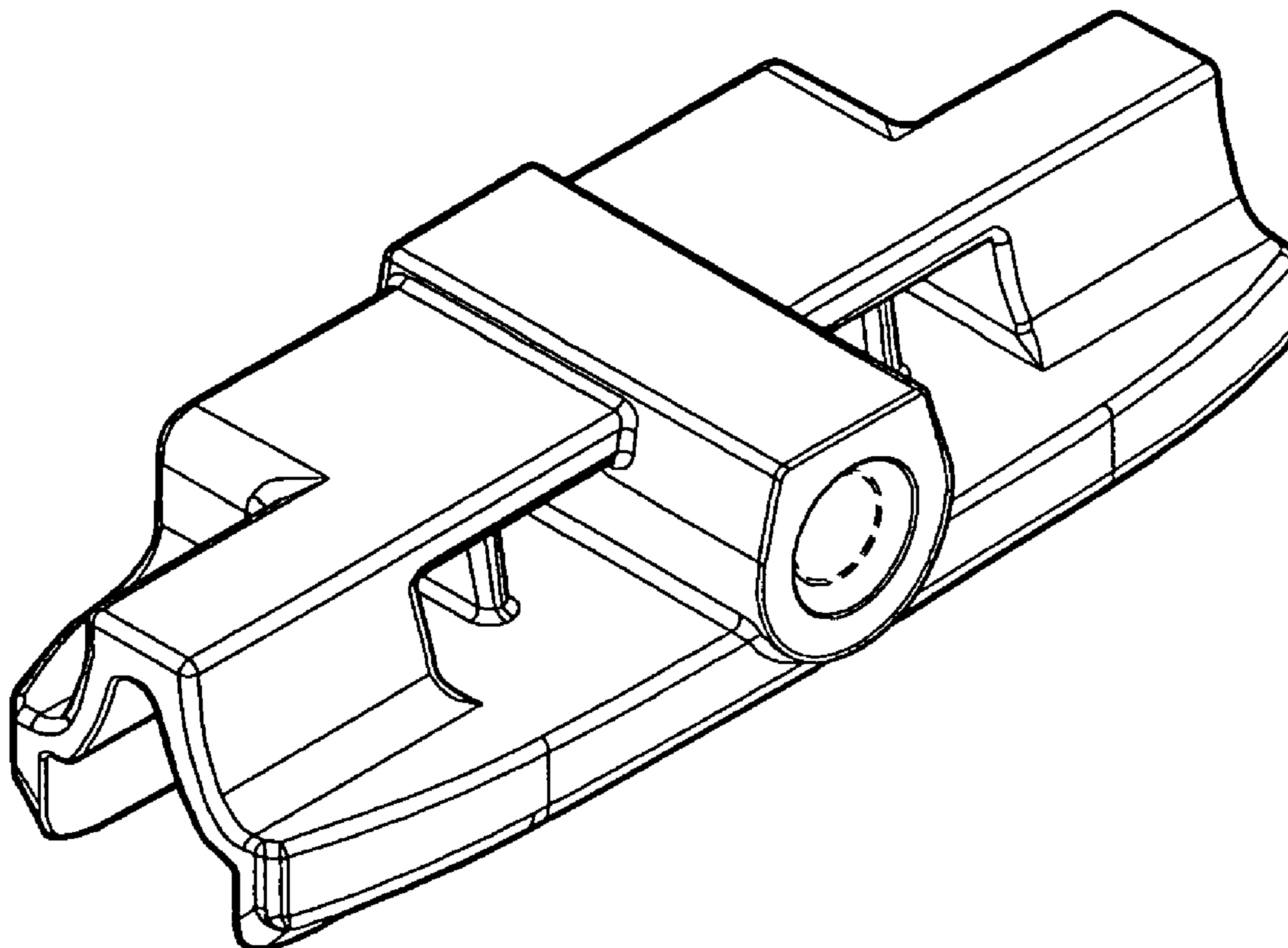
(57) **CLAIM**

I claim the ornamental design for a side-lock flat blade connector, as shown and described.

**DESCRIPTION**

FIG. 1 is a front view of the connector showing my design;  
FIG. 2 shows a rear view of the connector of FIG. 1;  
FIG. 3 shows a top view of the connector of FIG. 1;  
FIG. 4 shows a bottom view of the connector of FIG. 1;  
FIG. 5 shows a right side view of the connector of FIG. 1;  
FIG. 6 shows a left side view of the connector of FIG. 1; and,  
FIG. 7 is a perspective view of the connector of FIG. 1.

**1 Claim, 3 Drawing Sheets**



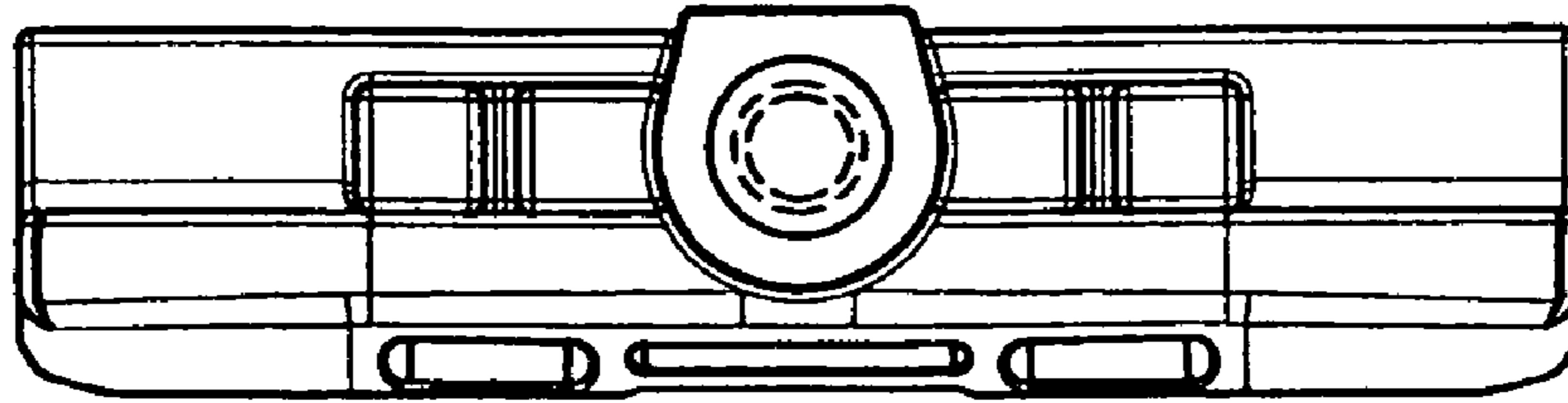


FIG. 1

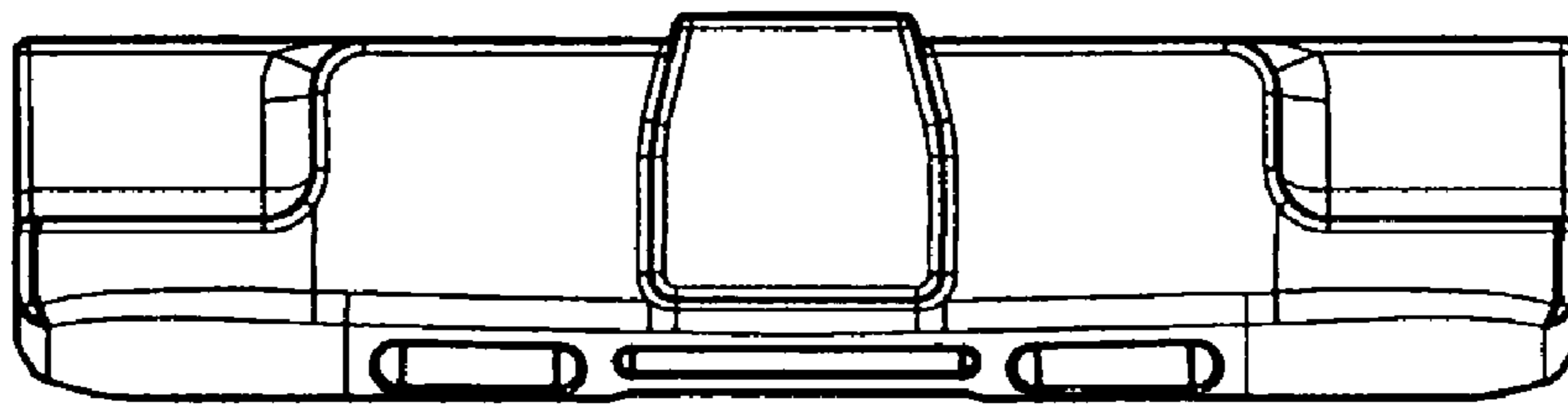


FIG. 2

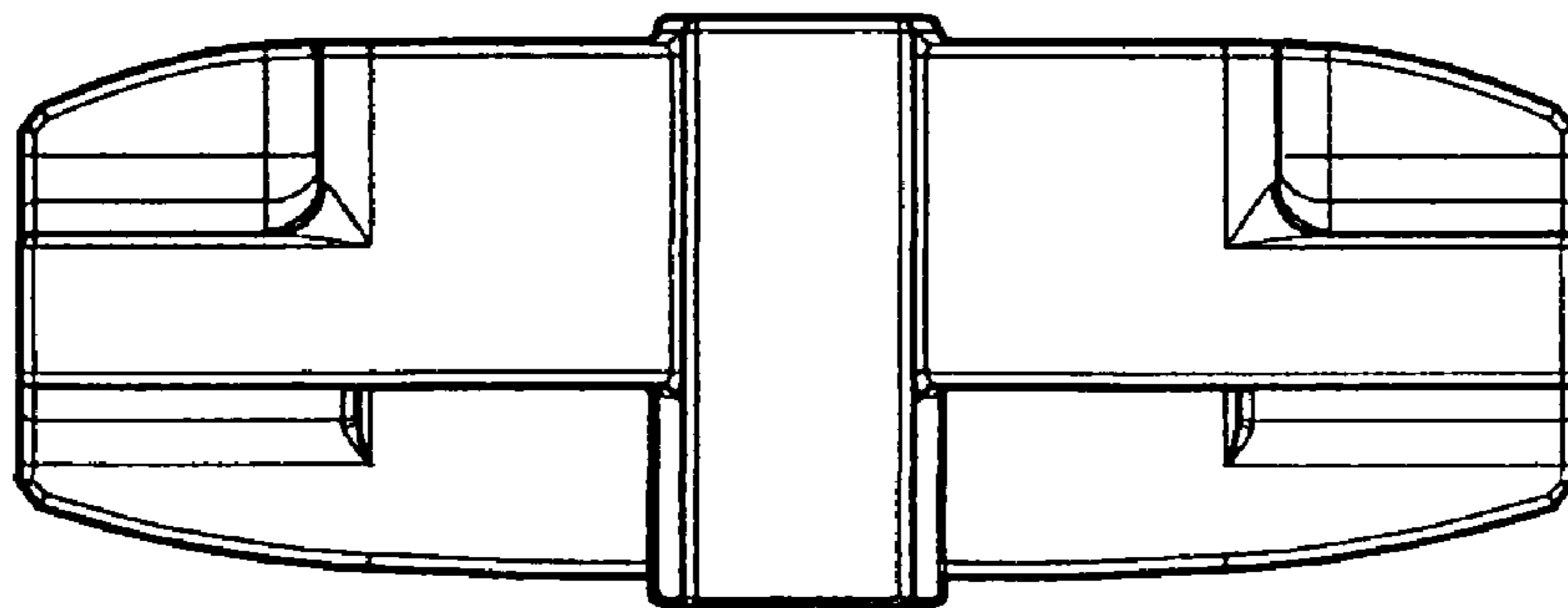


FIG. 3

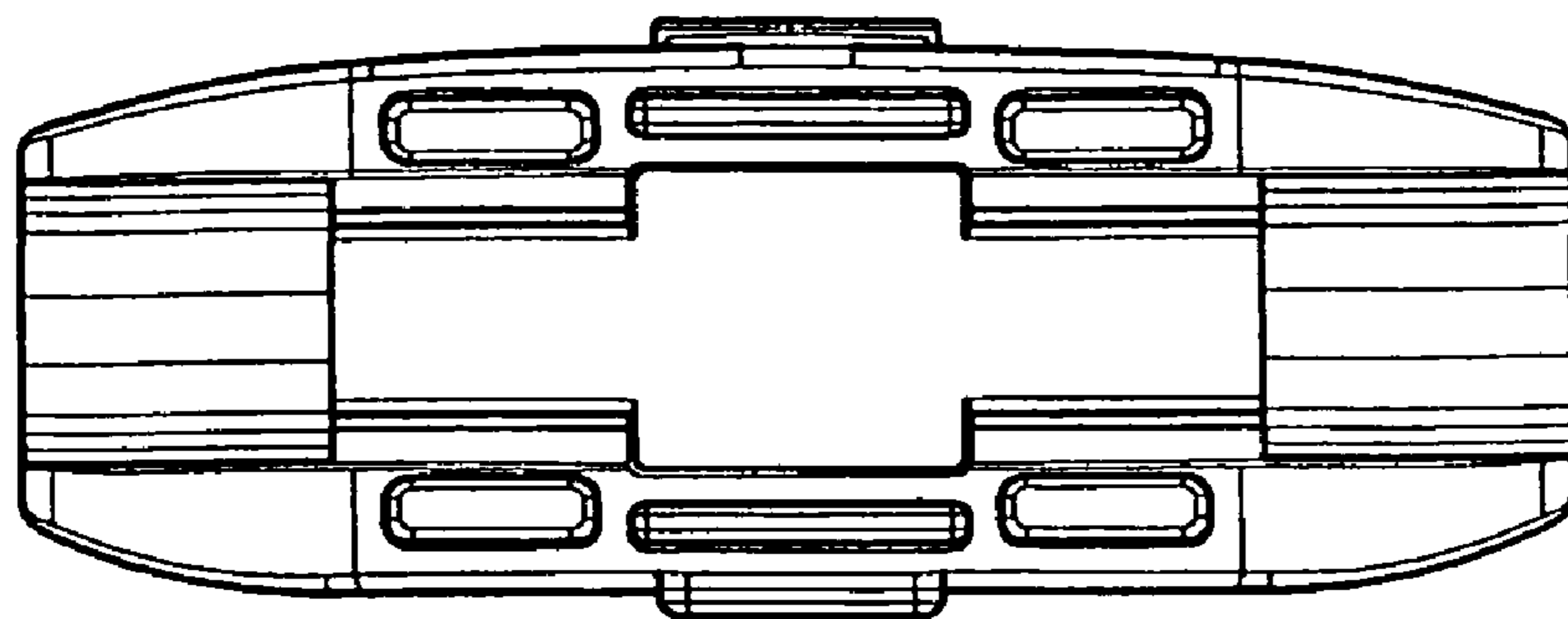


FIG. 4

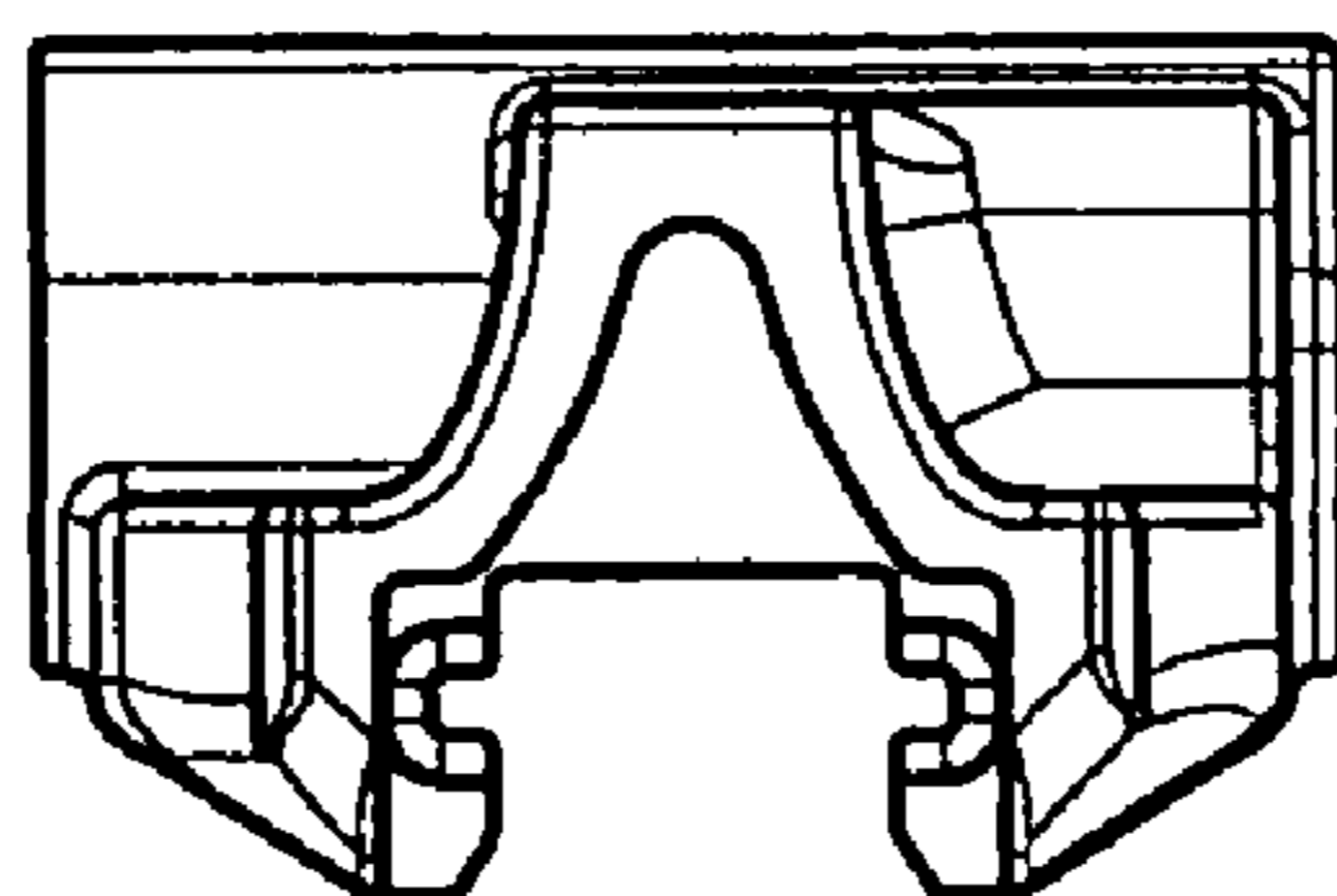


FIG. 5

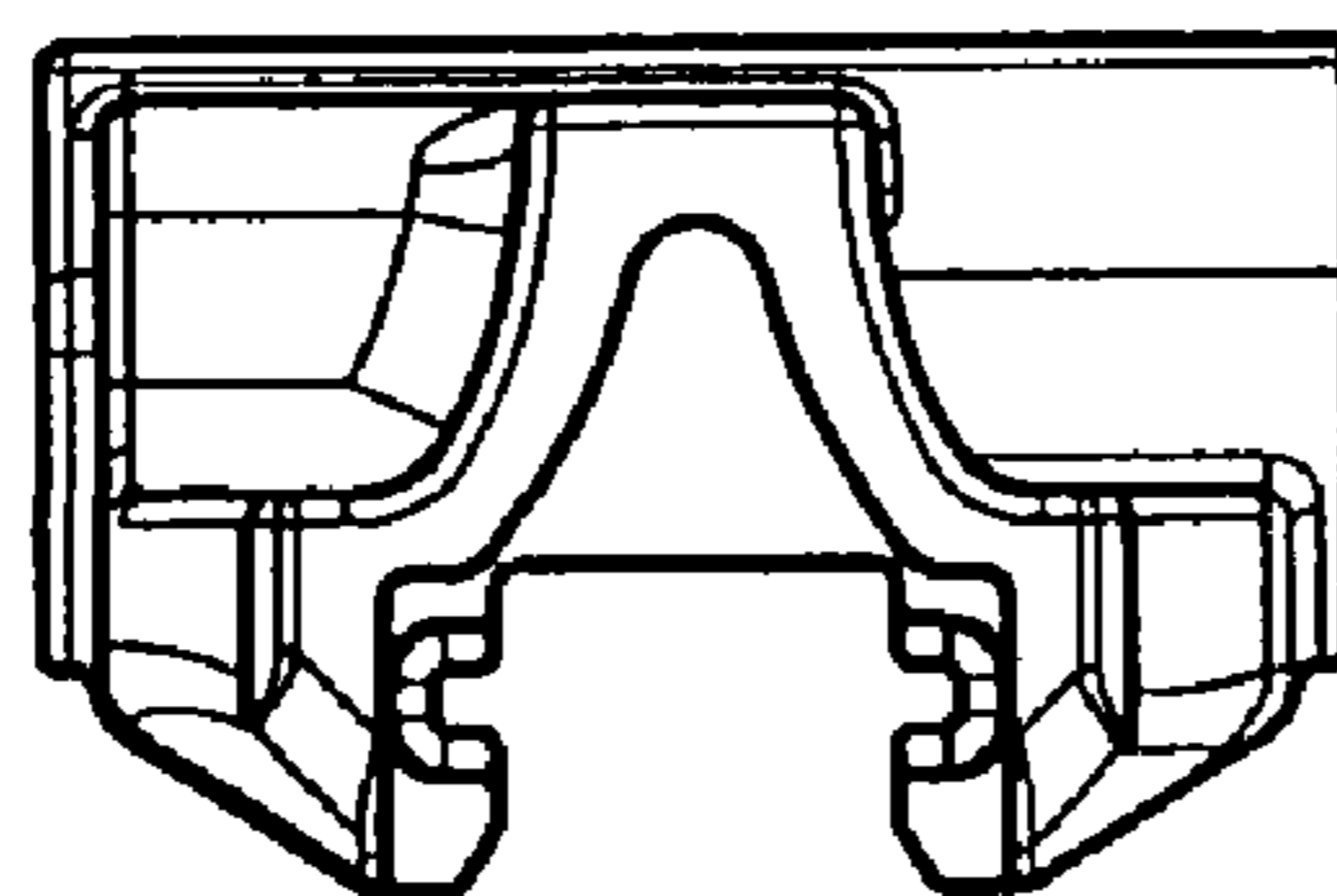


FIG. 6

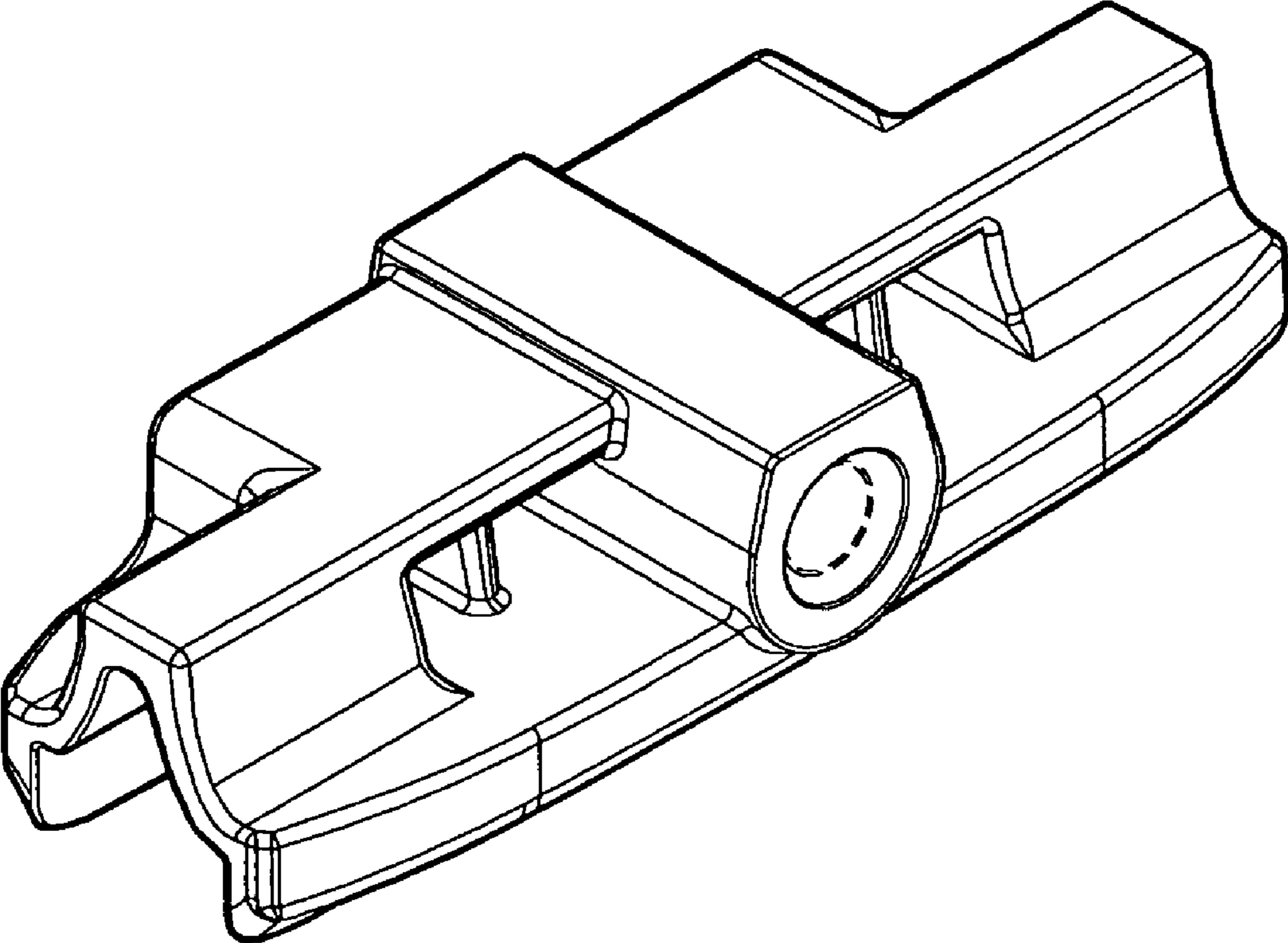


FIG. 7