



US00D580336S

(12) **United States Design Patent**
Chung

(10) **Patent No.:** **US D580,336 S**

(45) **Date of Patent:** **** Nov. 11, 2008**

(54) **AUTOMOTIVE WHEEL**

(76) **Inventor:** **Suny Chung**, 3283 Red Pine Rd., Yorba Linda, CA (US) 92886

(**) **Term:** **14 Years**

(21) **Appl. No.:** **29/307,077**

(22) **Filed:** **Mar. 31, 2008**

(51) **LOC (8) Cl.** **12-16**

(52) **U.S. Cl.** **D12/211**

(58) **Field of Classification Search** D12/204-213;
301/37.101, 64.101, 65, 64.201

See application file for complete search history.

(56) **References Cited**

U.S. PATENT DOCUMENTS

- D409,132 S * 5/1999 Cullen D12/211
- D474,440 S * 5/2003 Oh D12/211
- D506,172 S * 6/2005 Pfeiffer D12/211
- D510,309 S * 10/2005 Cheng D12/211

- D516,988 S * 3/2006 Laengerer D12/211
- D524,217 S * 7/2006 Aoki D12/211
- D527,335 S * 8/2006 Kim D12/211
- D537,767 S * 3/2007 Pfeiffer D12/211
- D553,069 S * 10/2007 Ettensberger D12/211

* cited by examiner

Primary Examiner—Stacia Cadmus

(57) **CLAIM**

The ornamental design for an automotive wheel, as shown and described.

DESCRIPTION

FIG. 1 is a perspective view of an automotive wheel, showing my new design; and,

FIG. 2 is a front view thereof.

The broken line showing of rear portion of the wheel rim is included for the purpose of illustrating environment and forms no part of the claimed design.

1 Claim, 2 Drawing Sheets

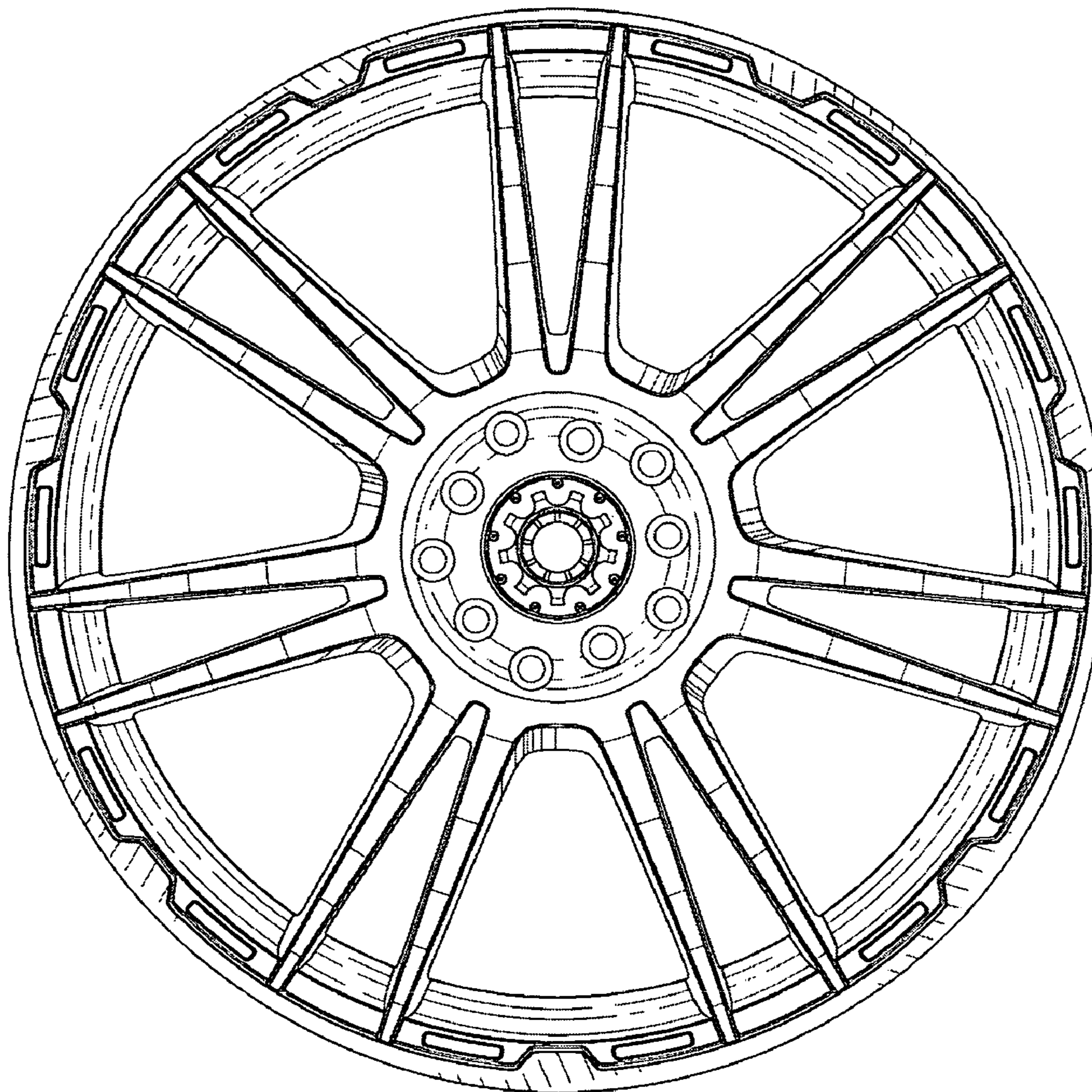


Figure 1

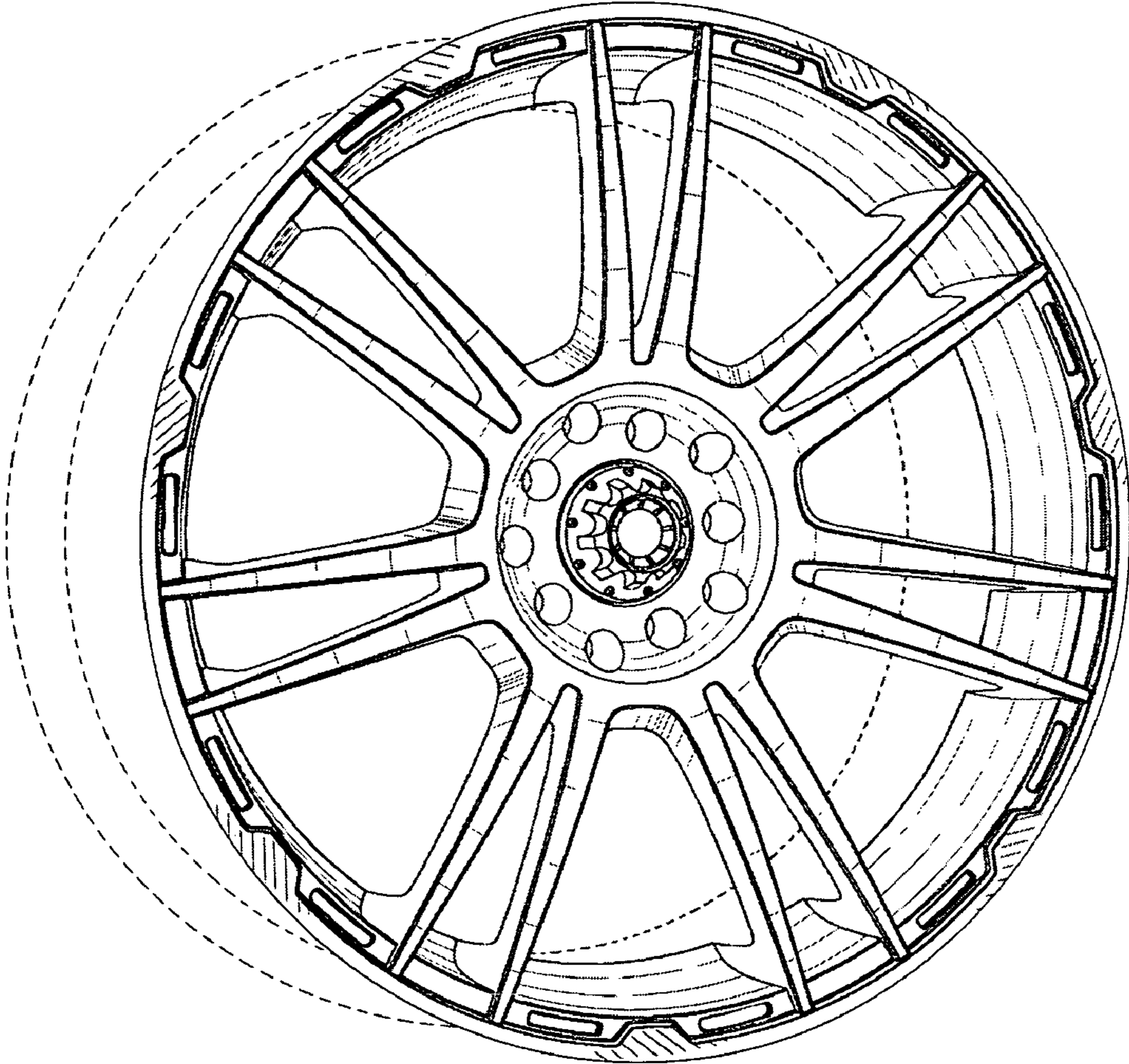


Figure 2

