



US00D580335S

(12) **United States Design Patent**
Choi et al.

(10) **Patent No.:** **US D580,335 S**

(45) **Date of Patent:** **** Nov. 11, 2008**

(54) **WHEEL**

(75) Inventors: **Young Choi**, Redondo Beach, CA (US);
Roger Brown, Corona, CA (US); **David**
Esparza, Long Beach, CA (US)

(73) Assignee: **Honda Motor Co., Ltd.**, Tokyo (JP)

(**) Term: **14 Years**

(21) Appl. No.: **29/298,839**

(22) Filed: **Dec. 13, 2007**

(51) **LOC (8) Cl.** **12-16**

(52) **U.S. Cl.** **D12/211**

(58) **Field of Classification Search** D12/204-213;
301/37.101, 64.101, 65, 64.201

See application file for complete search history.

(56) **References Cited**

U.S. PATENT DOCUMENTS

D450,026 S *	11/2001	Donikoglu	D12/209
D470,812 S *	2/2003	Chu	D12/211
D495,649 S *	9/2004	Schell et al.	D12/209
D498,195 S *	11/2004	Guevara	D12/211
D501,440 S *	2/2005	Pfeiffer	D12/211

D506,173 S *	6/2005	Pfeiffer	D12/211
D524,214 S *	7/2006	Pfeiffer et al.	D12/211
D524,219 S *	7/2006	Scheu	D12/211
D526,265 S *	8/2006	Muzzarelli	D12/209
D529,430 S *	10/2006	Hsu	D12/209
D541,205 S *	4/2007	Plumer	D12/211
D548,665 S *	8/2007	Sanschagrin et al.	D12/209
D569,778 S *	5/2008	Kim	D12/211

* cited by examiner

Primary Examiner—Stacia Cadmus

(74) *Attorney, Agent, or Firm*—Plumsea Law Group, LLC;
Mark E. Duell

(57) **CLAIM**

The ornamental design for a wheel, as shown and described.

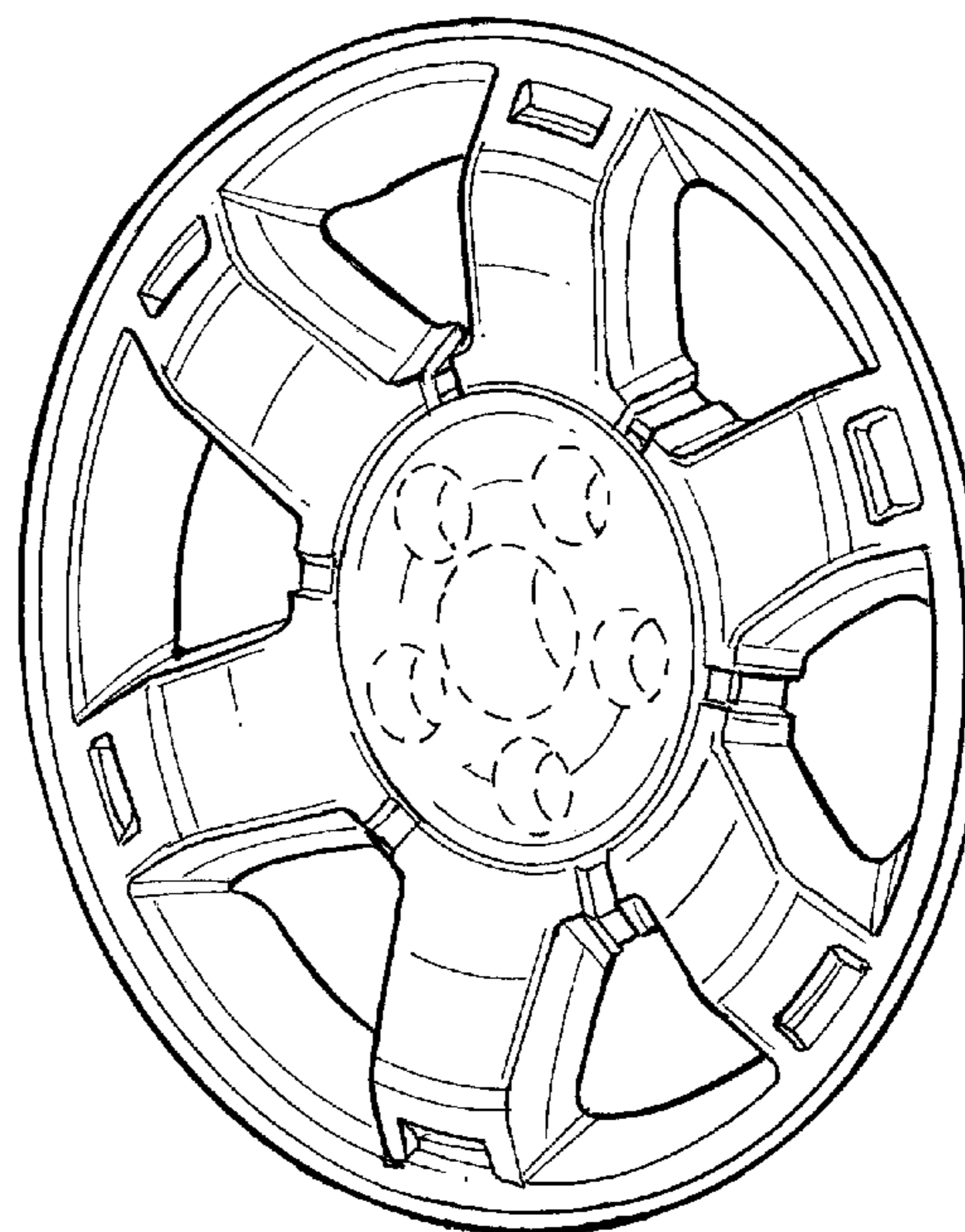
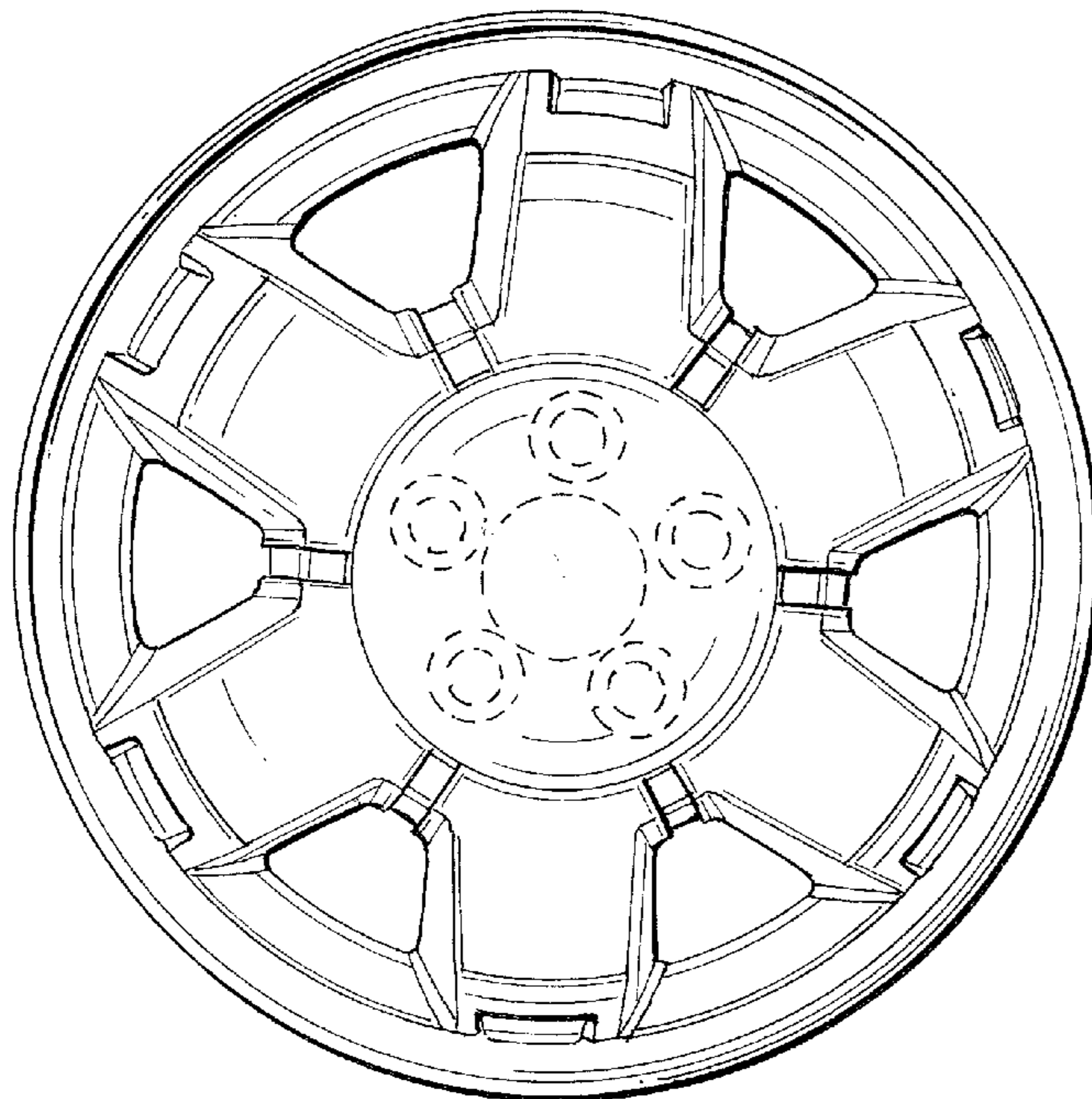
DESCRIPTION

FIG. 1 is a front elevational view of a wheel showing our new design; and,

FIG. 2 is a perspective view thereof.

The broken line showings in the central hub are for illustrative purposes only and form no part of the claimed design.

1 Claim, 1 Drawing Sheet



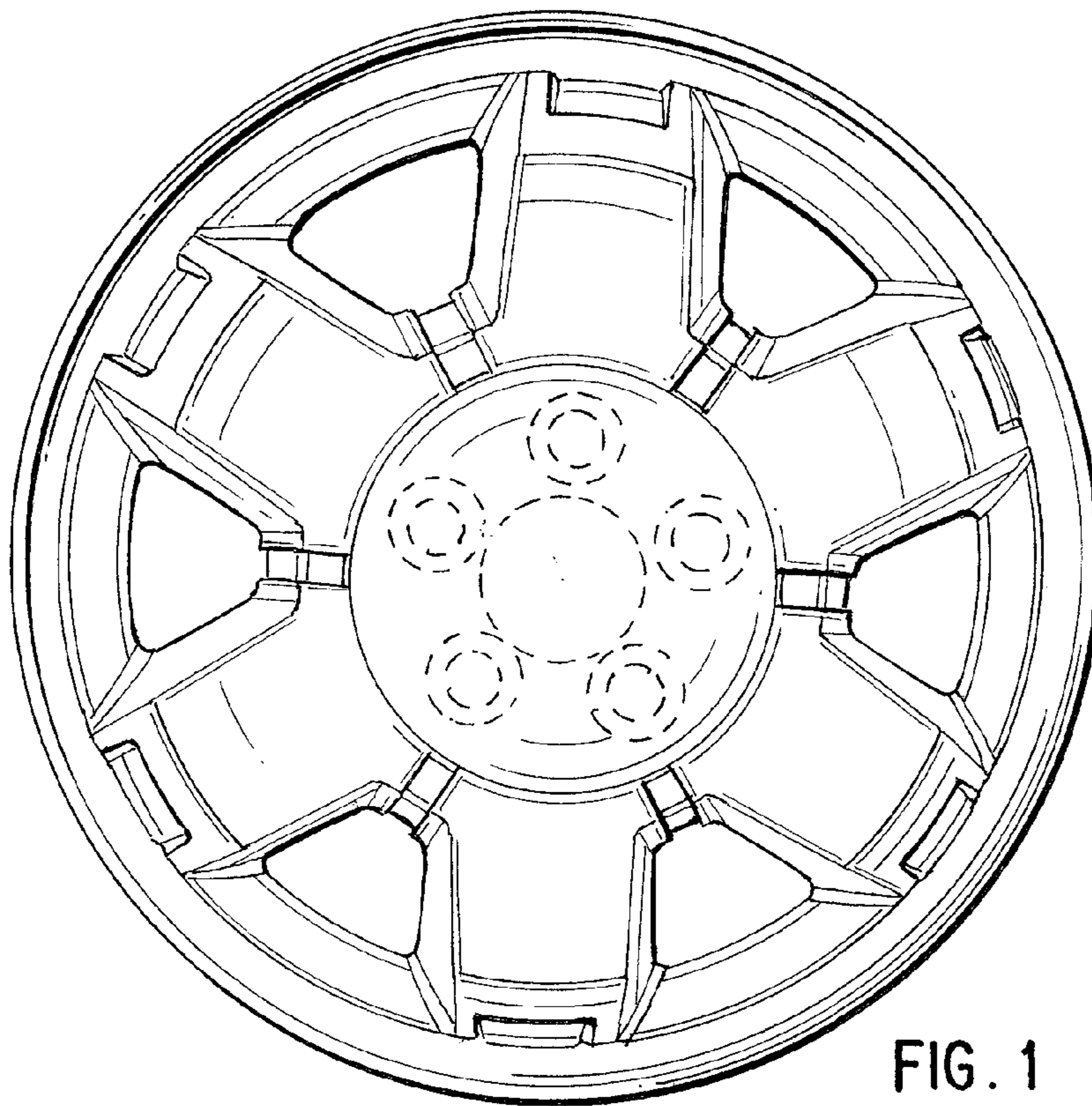


FIG. 1

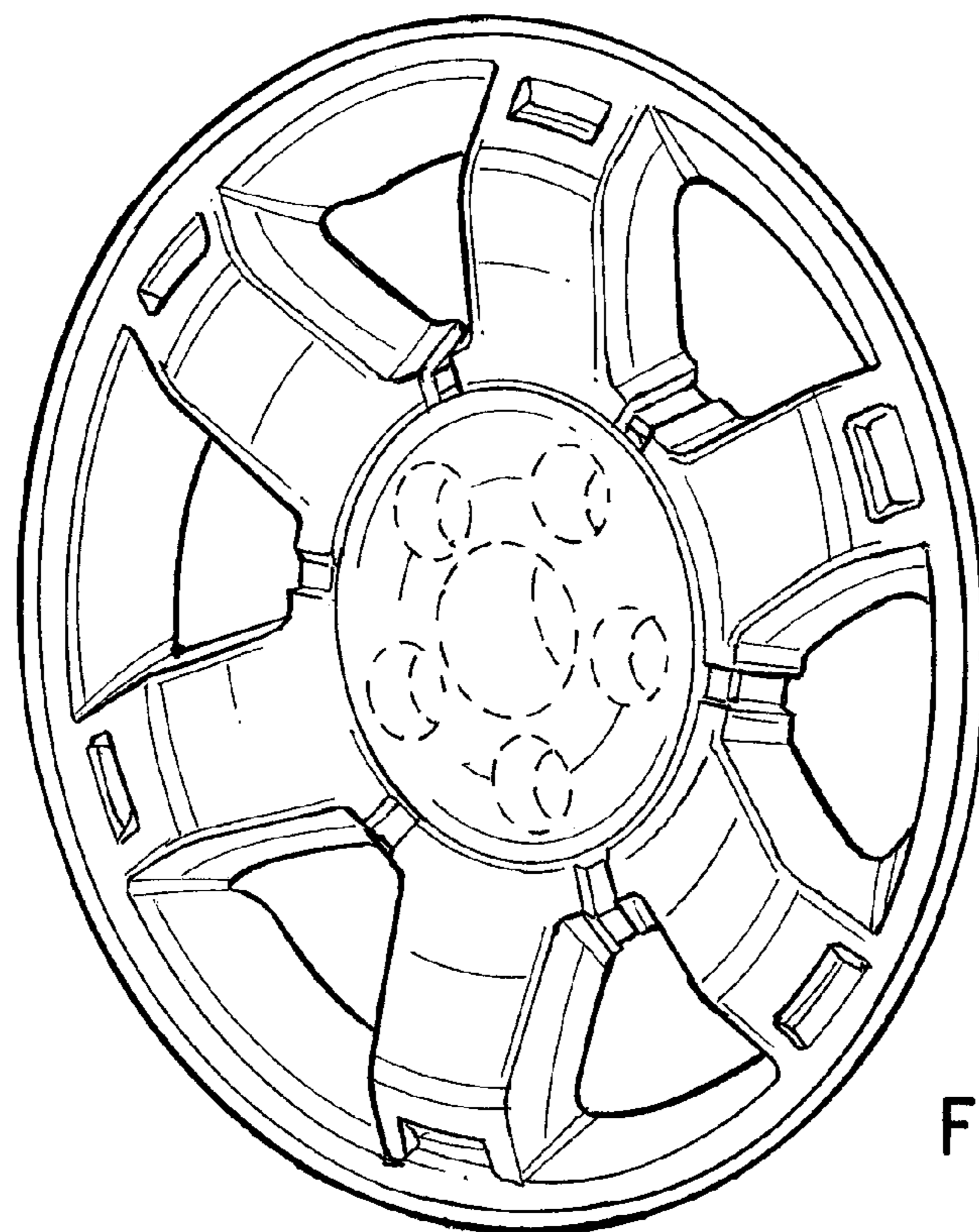


FIG. 2