



US00D580334S

(12) **United States Design Patent**  
**Blasi**

(10) **Patent No.:** **US D580,334 S**  
(45) **Date of Patent:** **\*\* Nov. 11, 2008**

(54) **FRONT FACE OF A VEHICLE WHEEL**

(75) Inventor: **Juliane Blasi**, Munich (DE)

(73) Assignee: **Bayerische Motoren Werke Aktiengesellschaft**, Munich (DE)

(\*\*) Term: **14 Years**

(21) Appl. No.: **29/283,803**

(22) Filed: **Aug. 24, 2007**

(30) **Foreign Application Priority Data**

Feb. 26, 2007 (DE) ..... 40701059

(51) **LOC (8) Cl.** ..... **12-16**

(52) **U.S. Cl.** ..... **D12/211**

(58) **Field of Classification Search** ..... D12/204–213;  
301/37.101, 64.101, 65, 64.201  
See application file for complete search history.

(56) **References Cited**

**U.S. PATENT DOCUMENTS**

- D215,652 S \* 10/1969 Griffith ..... D12/211
- D436,912 S \* 1/2001 Boyer ..... D12/211
- D467,856 S \* 12/2002 Pfeiffer ..... D12/209
- D500,470 S \* 1/2005 Rice ..... D12/211
- D507,225 S \* 7/2005 Velazco ..... D12/211
- D515,997 S \* 2/2006 Phillips ..... D12/209

- D519,905 S \* 5/2006 Muzzarelli ..... D12/209
- D524,216 S 7/2006 Scheu
- D525,928 S \* 8/2006 Pfeiffer ..... D12/209
- D527,325 S \* 8/2006 Nagashima ..... D12/209
- D541,204 S 4/2007 Huet
- D555,566 S \* 11/2007 Hlinovsky ..... D12/209
- D560,152 S \* 1/2008 Nordmann ..... D12/211

\* cited by examiner

*Primary Examiner*—Stacia Cadmus

(74) *Attorney, Agent, or Firm*—Crowell & Moring LLP

(57) **CLAIM**

The ornamental design for a front face of a vehicle wheel, as shown and described.

**DESCRIPTION**

Application Ser. No. 29/244,831, filed Dec. 15, 2005, entitled “Front Face of a Vehicle Wheel”; and

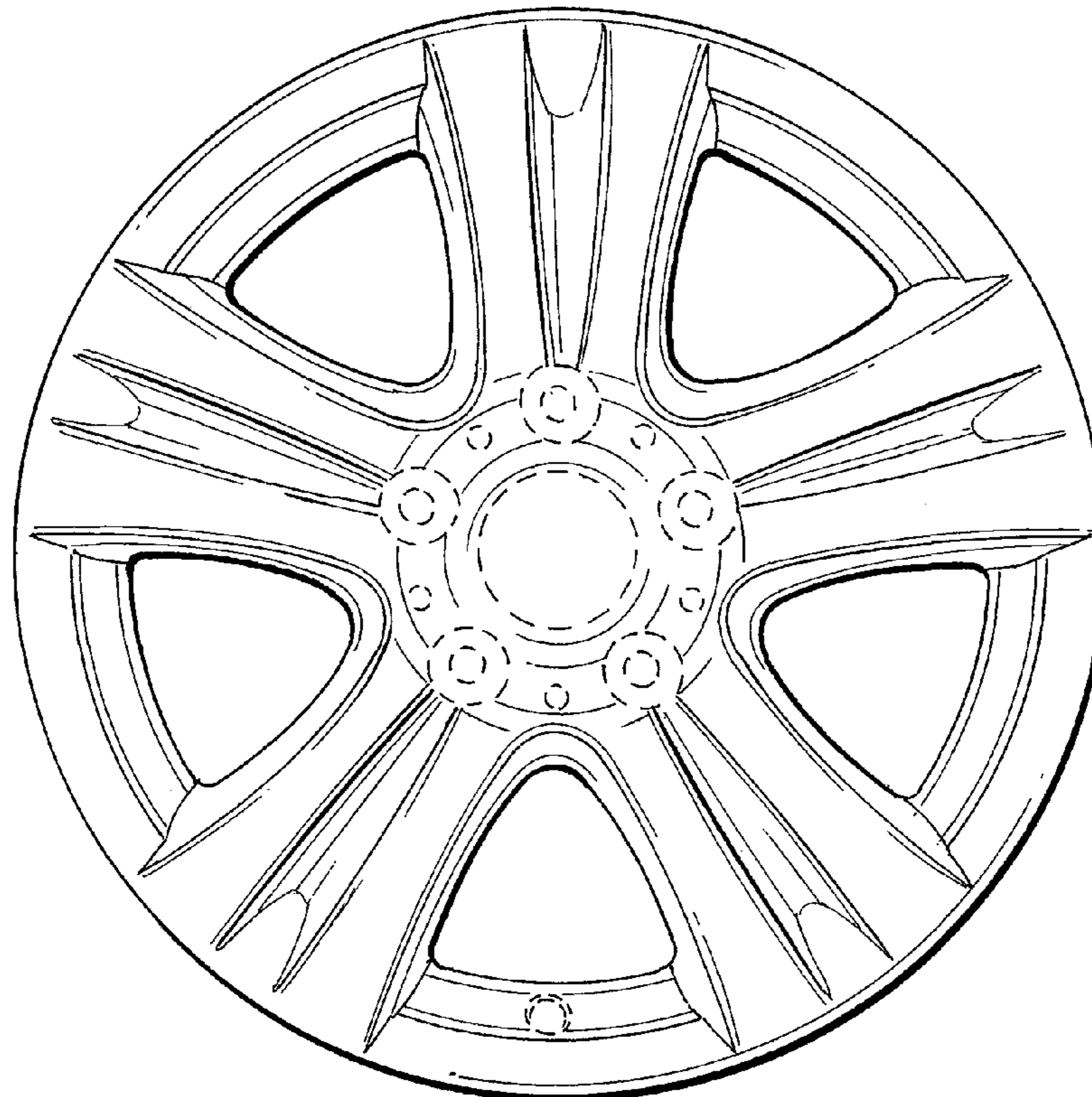
Application Ser. No. 29/270,364, filed Dec. 21, 2006, entitled “Front Face of a Vehicle Wheel.”

FIG. 1 is a front view of a front face of a vehicle wheel according to my novel design; and,

FIG. 2 is a perspective view thereof.

The broken lines are for illustrative purposes only and form no part of the claimed design.

**1 Claim, 1 Drawing Sheet**



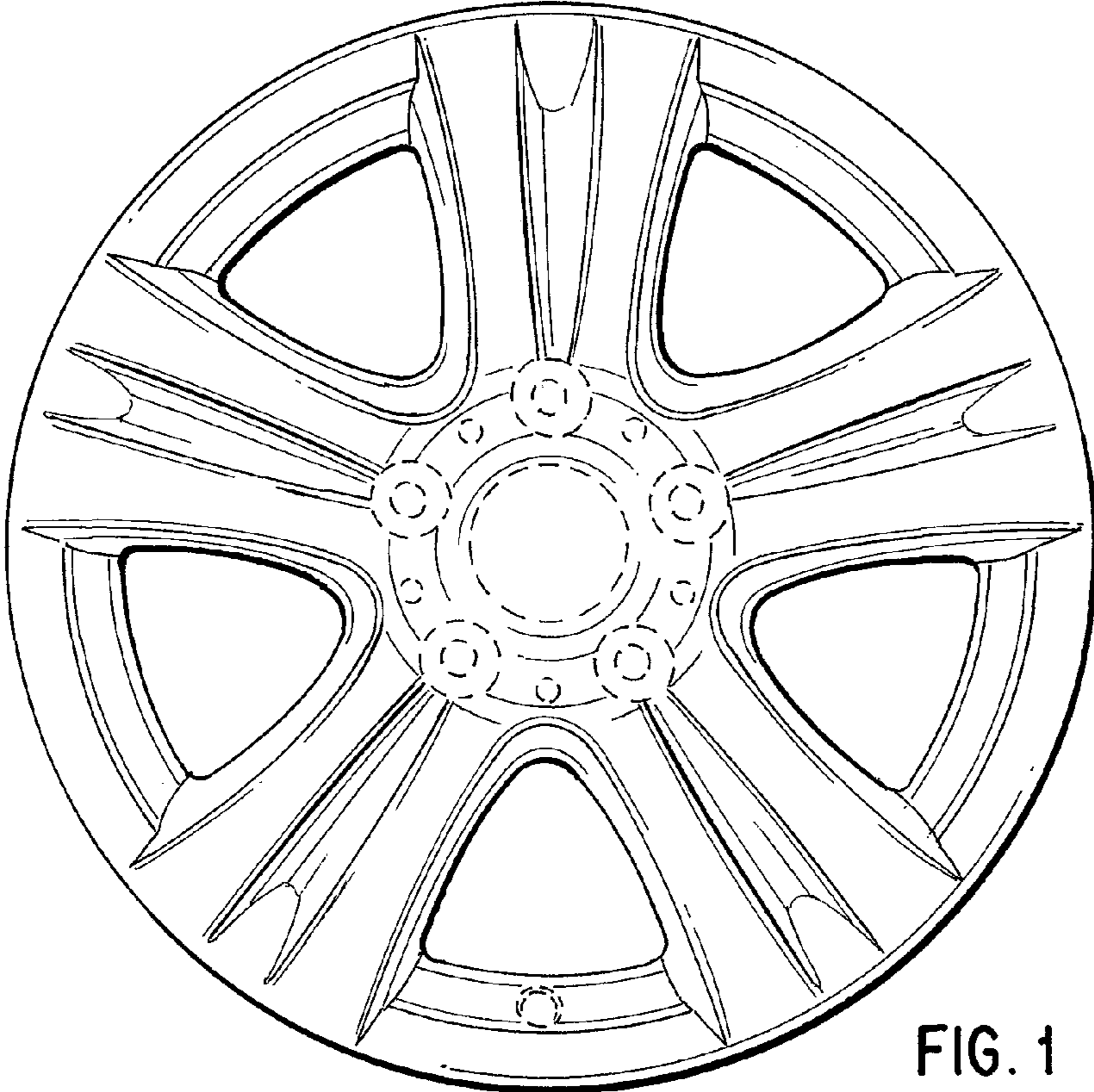


FIG. 1

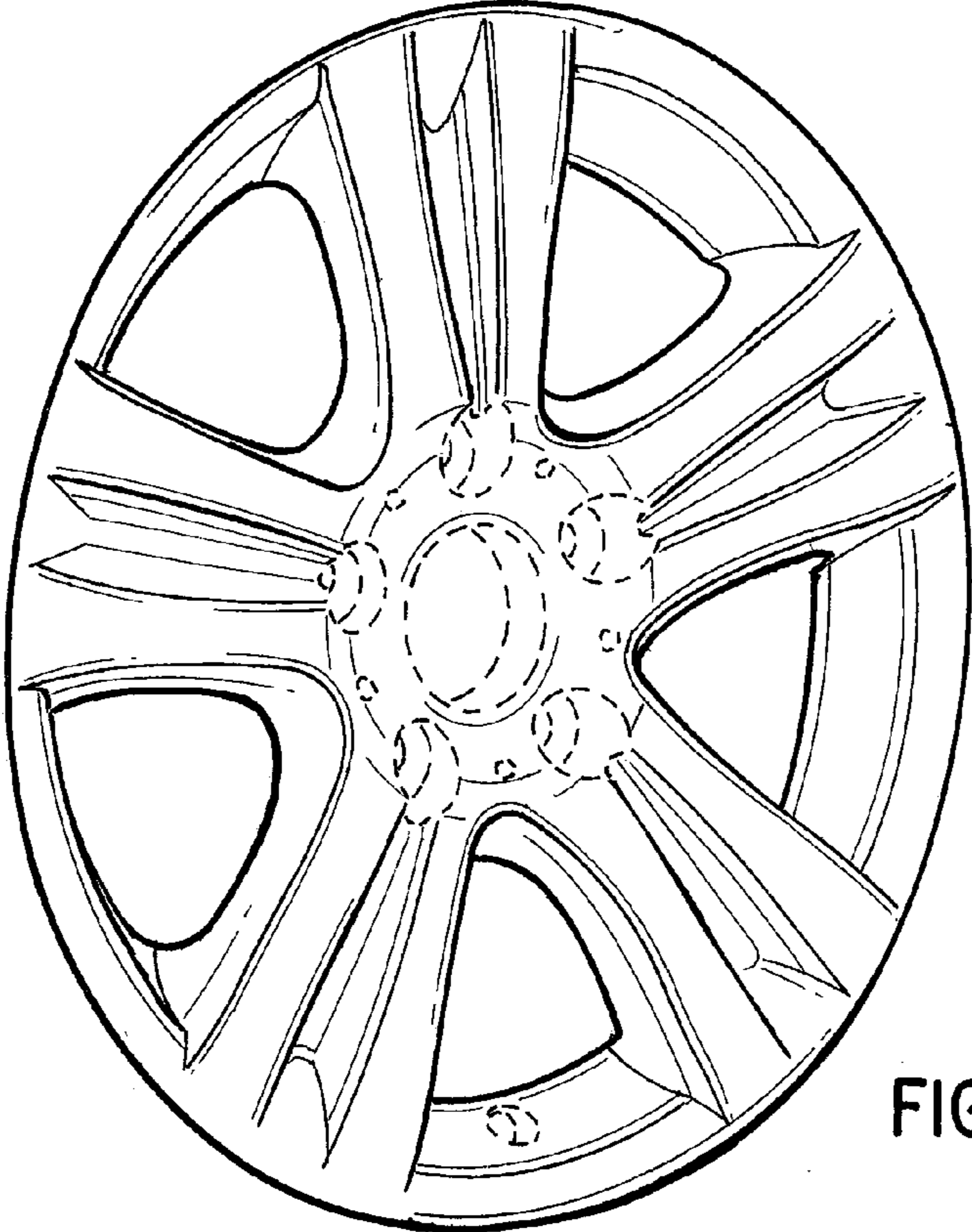


FIG. 2