



US00D580331S

(12) **United States Design Patent**
Gueler et al.

(10) **Patent No.:** **US D580,331 S**

(45) **Date of Patent:** **** Nov. 11, 2008**

(54) **VEHICLE REAR DOOR**

(75) Inventors: **Murat Gueler**, Köln (DE); **Stefan Lamm**, Köln (DE)

(73) Assignee: **Ford Global Technologies, LLC**, Dearborn, MI (US)

(**) Term: **14 Years**

(21) Appl. No.: **29/298,807**

(22) Filed: **Dec. 13, 2007**

(30) **Foreign Application Priority Data**

Aug. 14, 2007 (DE) 40704114

(51) **LOC (8) Cl.** **12-16**

(52) **U.S. Cl.** **D12/196**

(58) **Field of Classification Search** D12/196,
D12/90-92, 86; 296/181.1, 181.5
See application file for complete search history.

(56) **References Cited**

U.S. PATENT DOCUMENTS

D418,471 S	*	1/2000	Gabath	D12/196
D467,849 S	*	12/2002	Murkett	D12/196
D479,170 S	*	9/2003	Boyer	D12/196
D491,860 S	*	6/2004	Velazco	D12/196
D511,129 S	*	11/2005	Nagashima	D12/196
D558,112 S	*	12/2007	Leclercq	D12/196

* cited by examiner

Primary Examiner—Melody N Brown

(74) *Attorney, Agent, or Firm*—Damian Porcari

(57) **CLAIM**

The ornamental design for a vehicle rear door, as shown and described.

DESCRIPTION

FIG. 1 is a perspective view of a right vehicle rear door (the left vehicle rear door being a mirror of the right and is not illustrated);

FIG. 2 is a right side elevational view of the vehicle rear door;

FIG. 3 is a left side elevational view of the vehicle rear door;

FIG. 4 is a top plan view of the vehicle rear door;

FIG. 5 is a bottom plan view of the vehicle rear door;

FIG. 6 is a front elevational view of the vehicle rear door; and,

FIG. 7 is a rear elevational view of the vehicle rear door.

The vehicle rear door is styled independently of adjacent vehicle panels. To the extent that any feature lines are illustrated, they are intended to illustrate the crest and valley of the feature and are not necessarily sharp bends in the part. Shading is used to illustrate the curvature of the part and not color. Areas shown in or sounded by broken lines are not claimed. Any functional features of the vehicle rear door are not claimed. Views are orthogonal projections unless otherwise noted. The various views are not necessarily to scale in order to better illustrate the design.

1 Claim, 5 Drawing Sheets

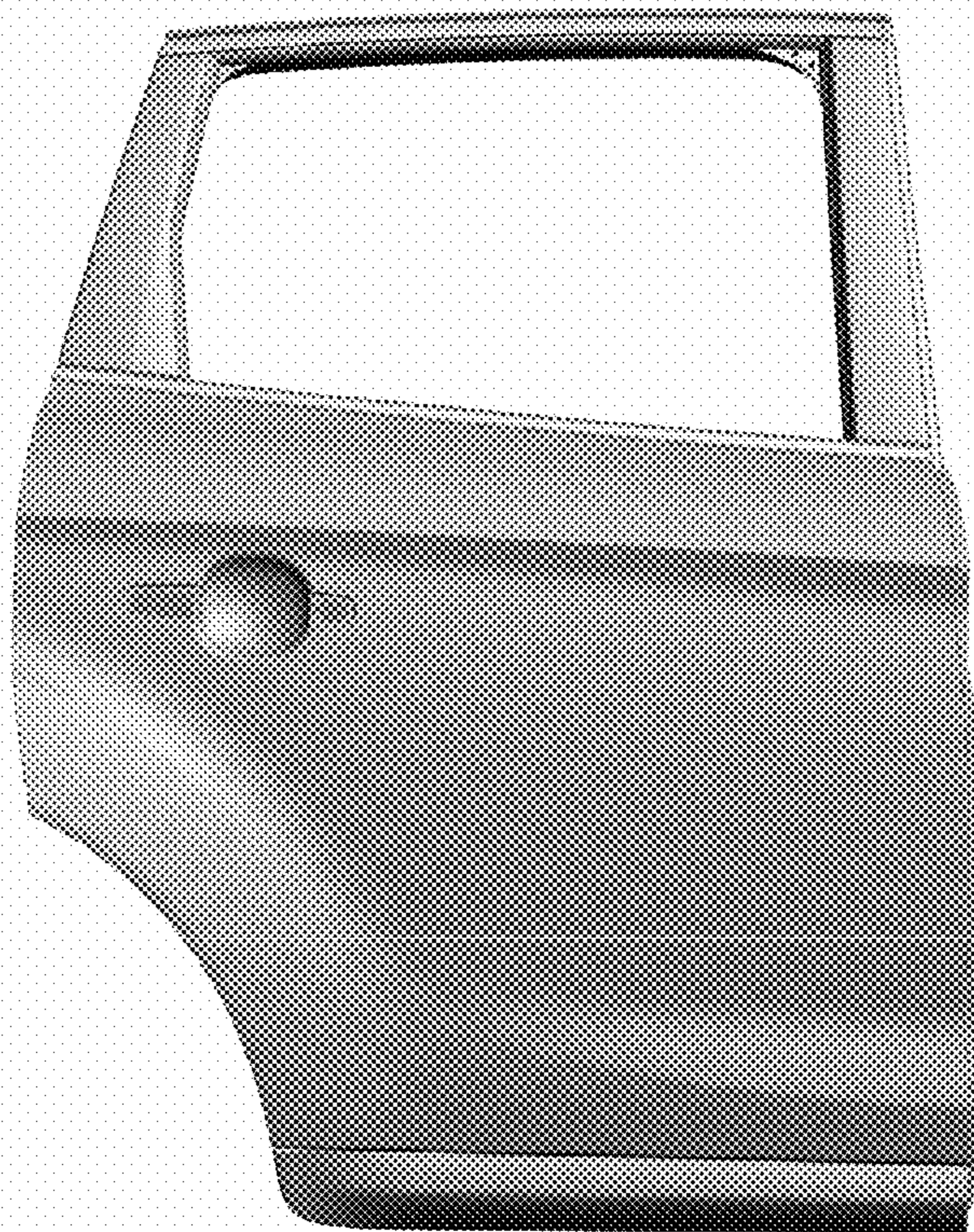




Fig 1

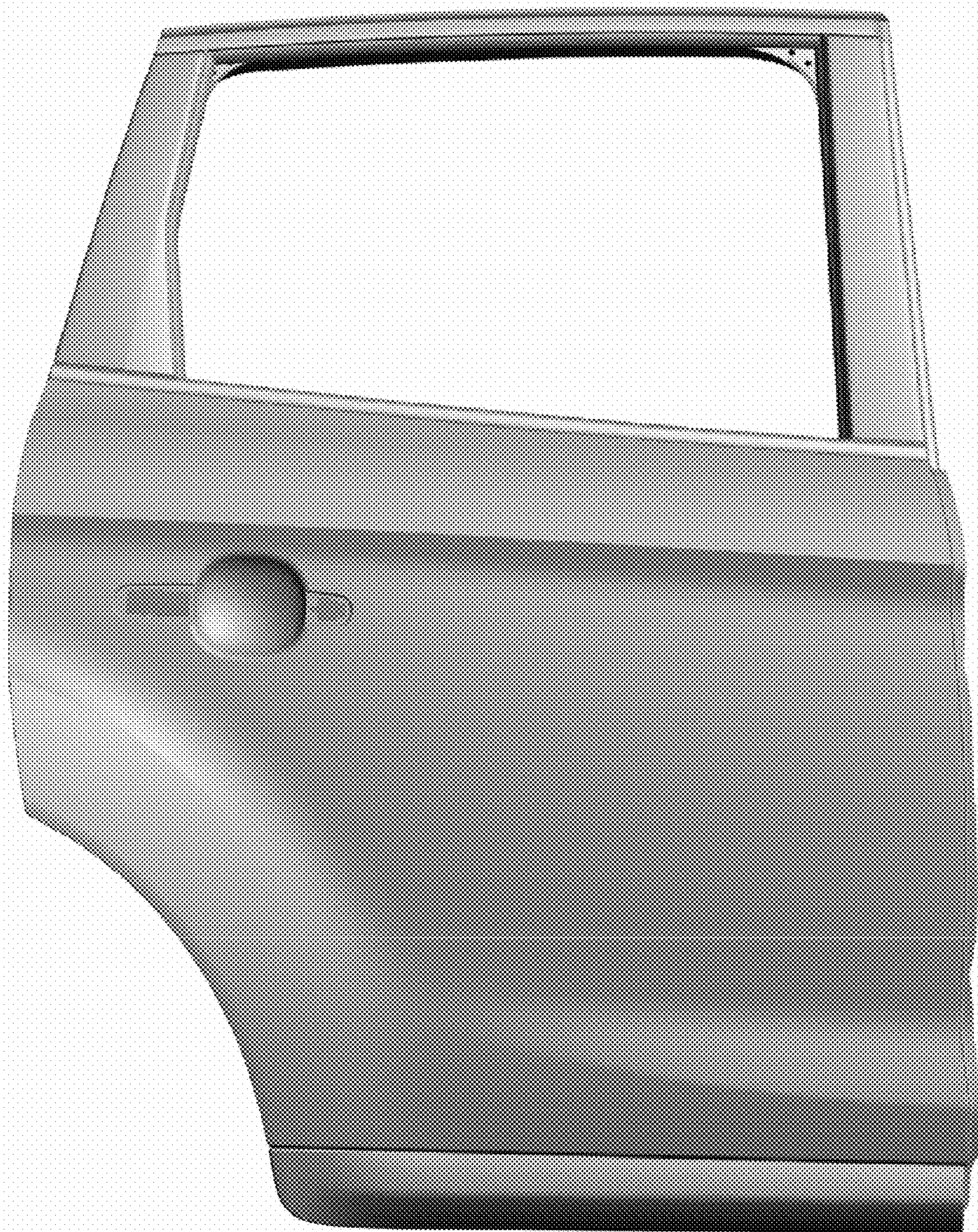


Fig 2

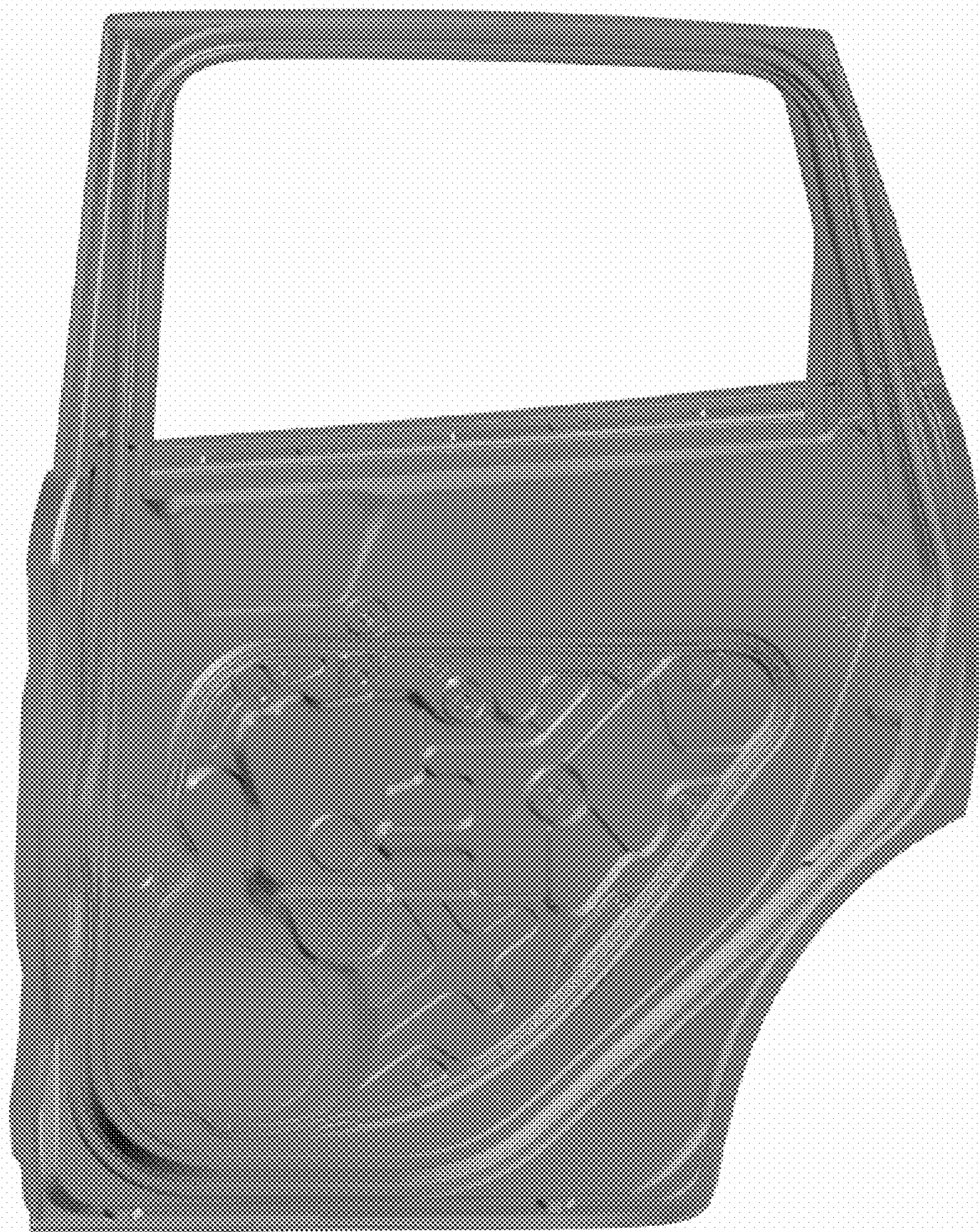


Fig 3

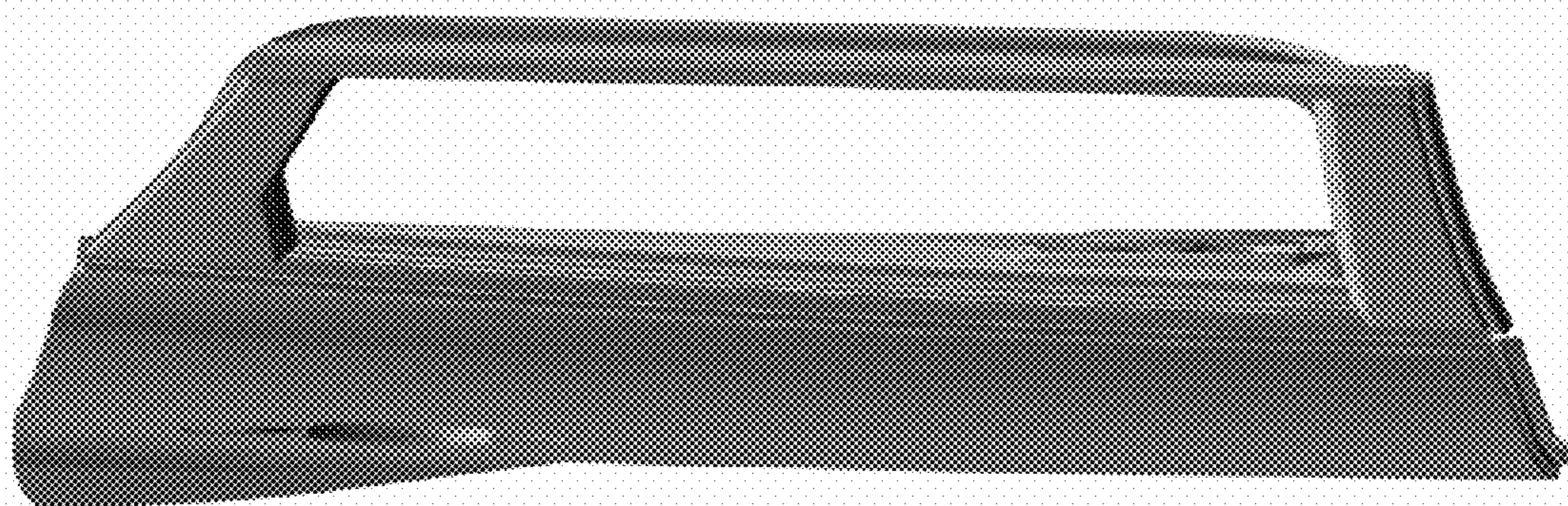


Fig 4

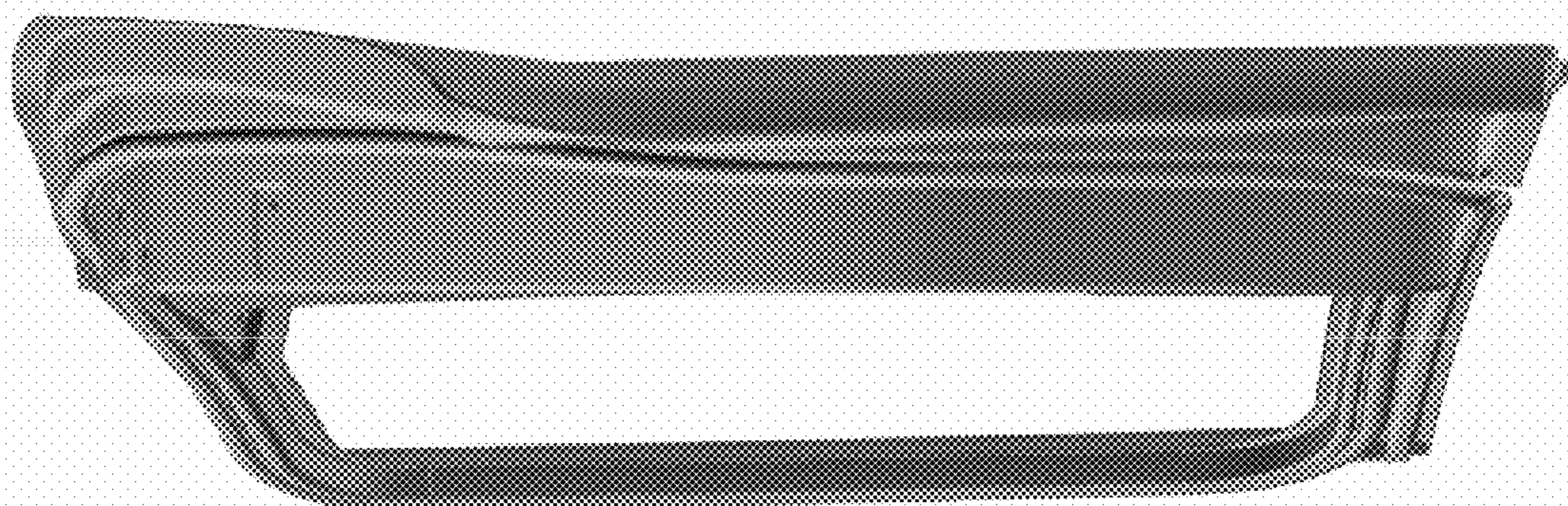


Fig 5

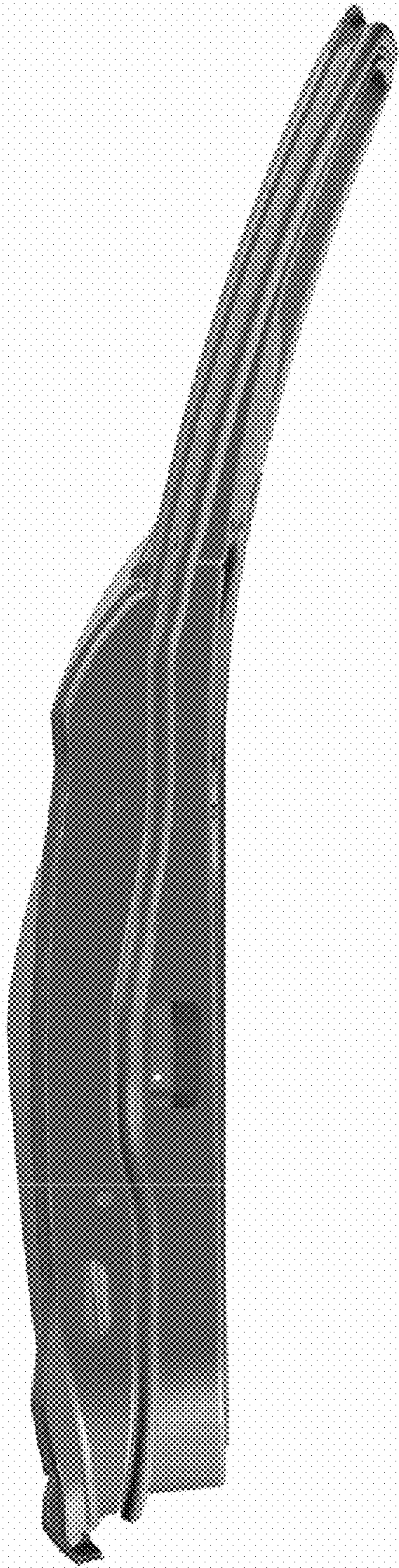


Fig 6



Fig 7