



US00D580323S

(12) **United States Design Patent**
Gueler et al.

(10) **Patent No.:** **US D580,323 S**

(45) **Date of Patent:** **** Nov. 11, 2008**

(54) **VEHICLE HOOD**

(75) Inventors: **Murat Gueler**, Köln (DE); **Stefan Lamm**, Köln (DE)

(73) Assignee: **Ford Global Technologies, LLC**, Dearborn, MI (US)

(**) Term: **14 Years**

(21) Appl. No.: **29/298,806**

(22) Filed: **Dec. 13, 2007**

(30) **Foreign Application Priority Data**

Aug. 14, 2007 (DE) 40704114

(51) **LOC (8) Cl.** **12-16**

(52) **U.S. Cl.** **D12/173**

(58) **Field of Classification Search** D12/173,
D12/196, 86, 90-92; 180/69.21, 69.2, 69.22
See application file for complete search history.

(56) **References Cited**

U.S. PATENT DOCUMENTS

D520,921 S *	5/2006	Nagura et al.	D12/173
D545,249 S *	6/2007	Fujimaki	D12/173
D555,554 S *	11/2007	Bucher et al.	D12/173
D563,293 S *	3/2008	Pfeiffer	D12/173
D570,753 S *	6/2008	Sato et al.	D12/173

* cited by examiner

Primary Examiner—Melody N Brown
(74) *Attorney, Agent, or Firm*—Damian Porcari

(57) **CLAIM**

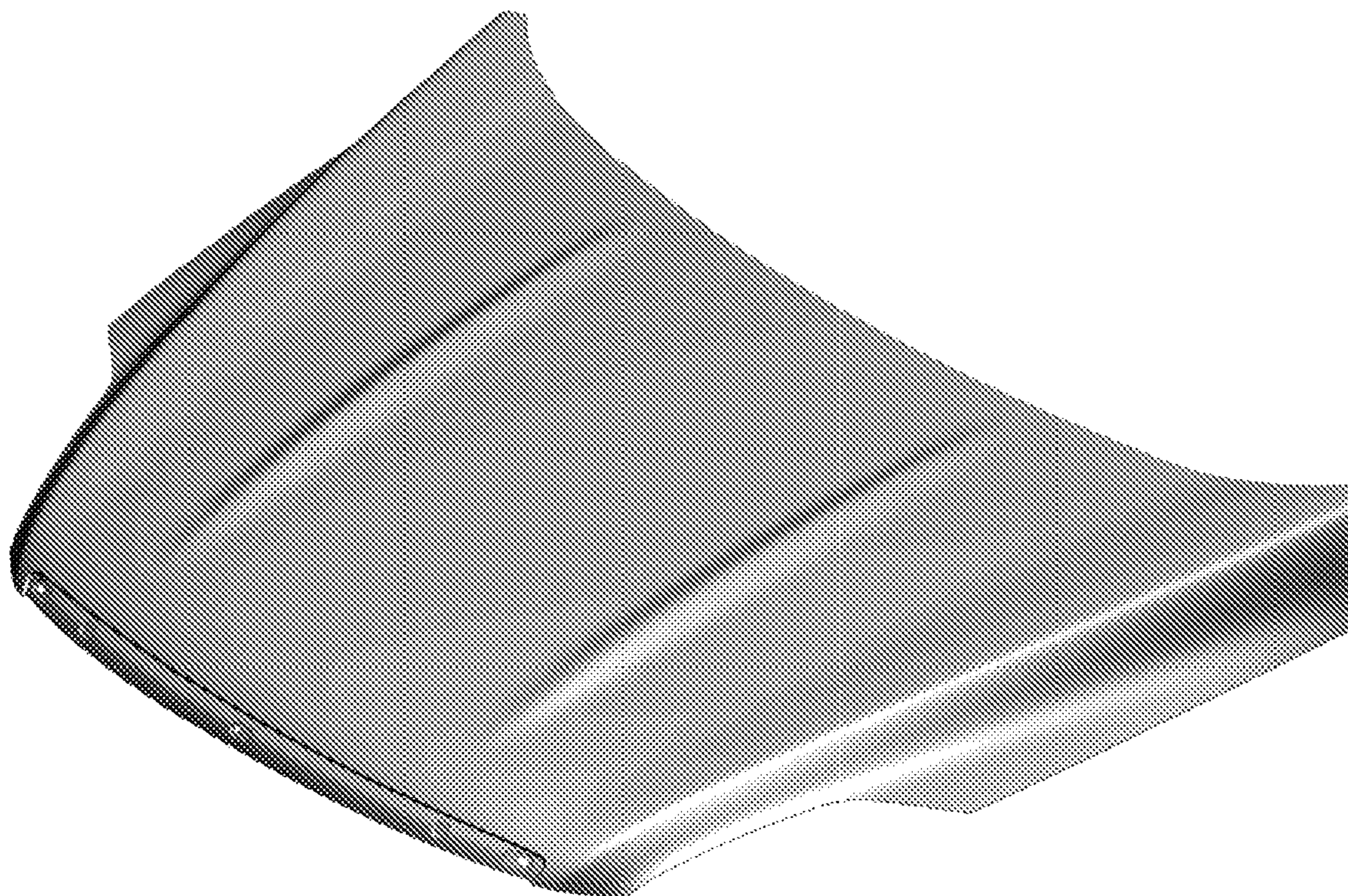
The ornamental design for a vehicle hood, as shown and described.

DESCRIPTION

FIG. 1 is a perspective view of a vehicle hood;
FIG. 2 is a top plan view of the vehicle hood;
FIG. 3 is a bottom plan view of the vehicle hood;
FIG. 4 is a left side elevational view of the vehicle hood;
FIG. 5 is a right side elevational view of the vehicle hood;
FIG. 6 is a front elevational view of the vehicle hood; and,
FIG. 7 is a rear elevational view of the vehicle hood.

The vehicle hood is styled independently of adjacent vehicle panels. To the extent that any feature lines are illustrated, they are intended to illustrate the crest and valley of the feature and are not necessarily sharp bends in the part. Shading is used to illustrate the curvature of the part and not color. Areas shown in or sounded by broken lines are not claimed. Any functional features of the vehicle hood are not claimed. Views are orthogonal projections unless otherwise noted. The various views are not necessarily to scale in order to better illustrate the design.

1 Claim, 6 Drawing Sheets



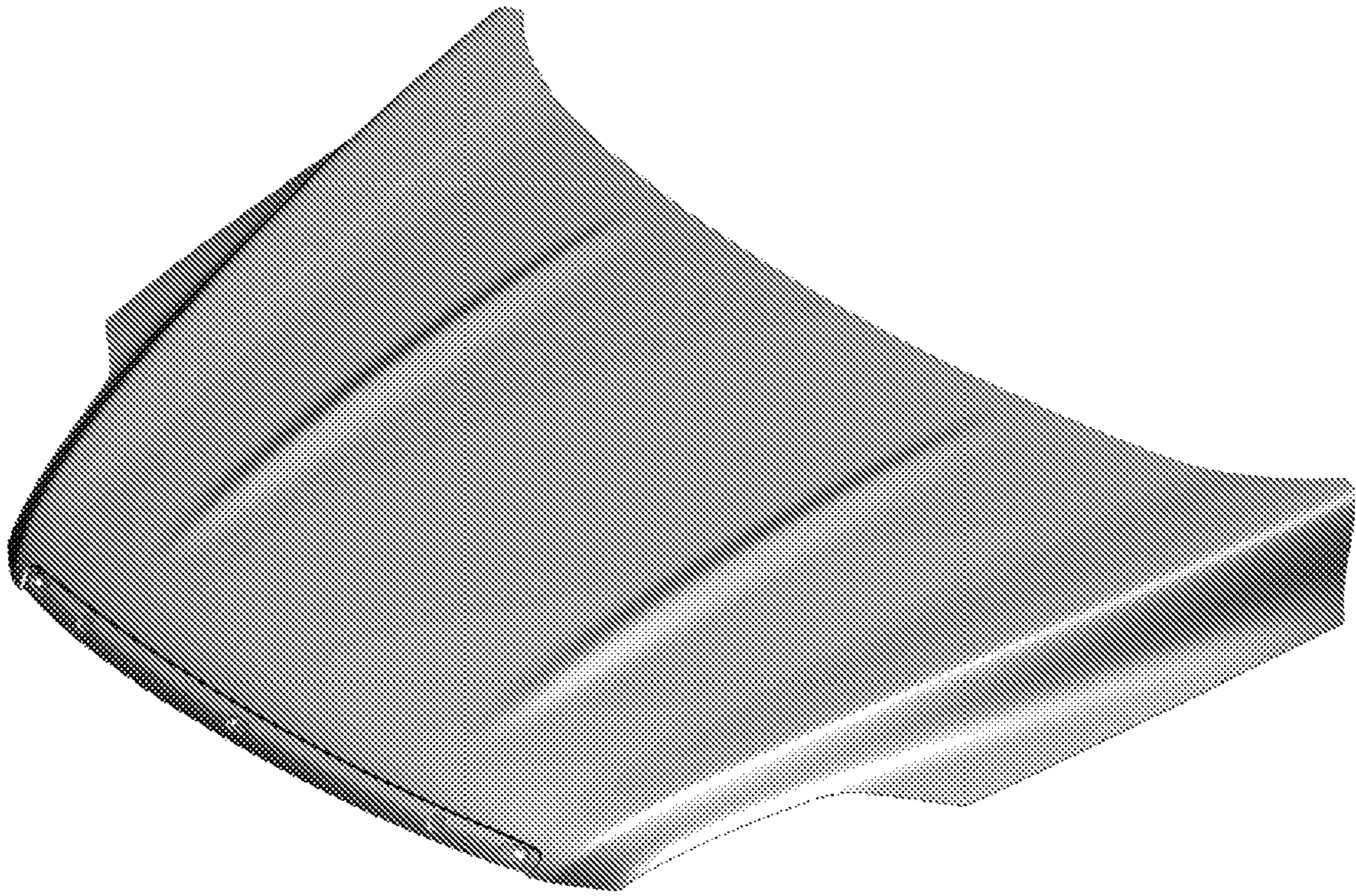


Fig 1

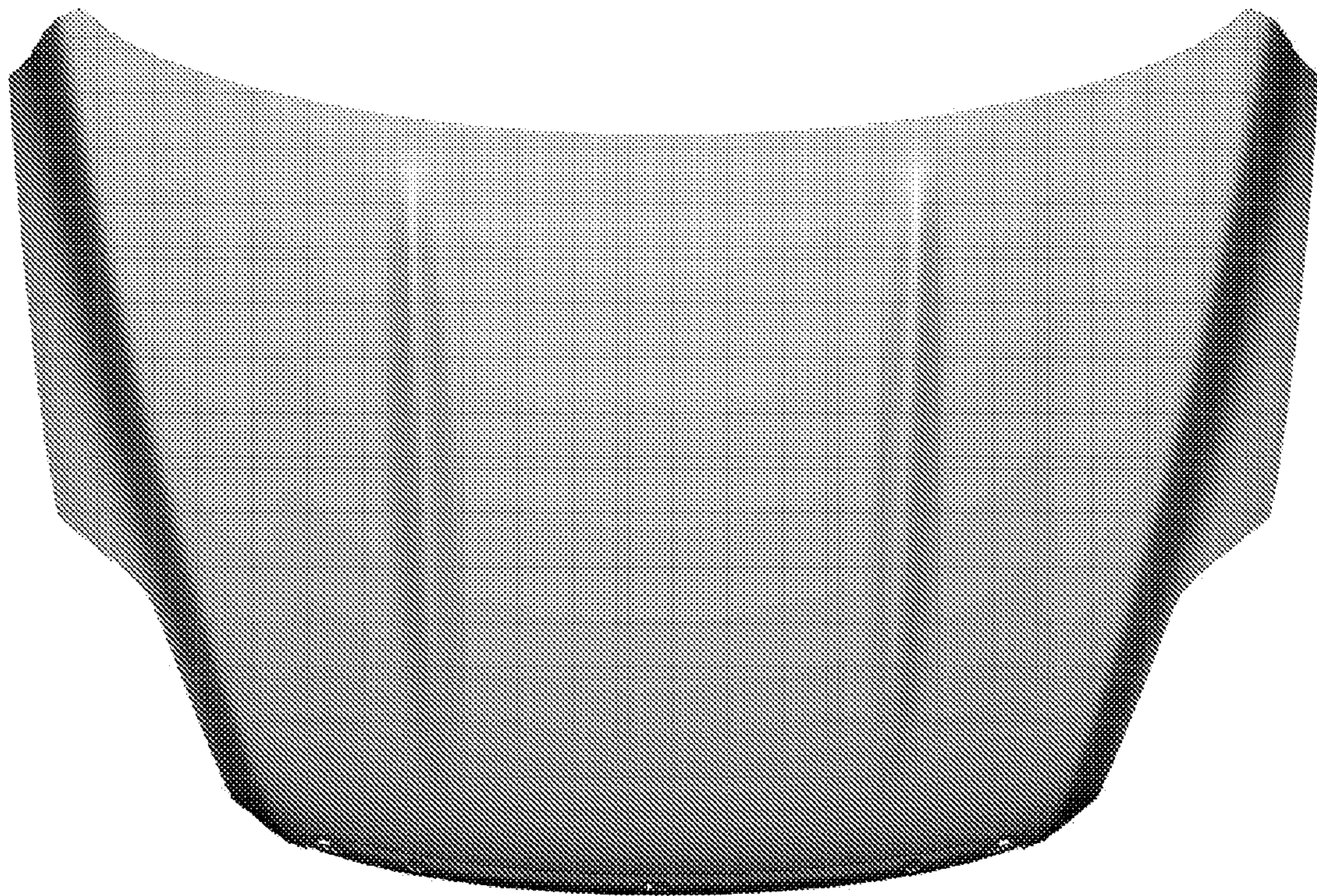


Fig 2

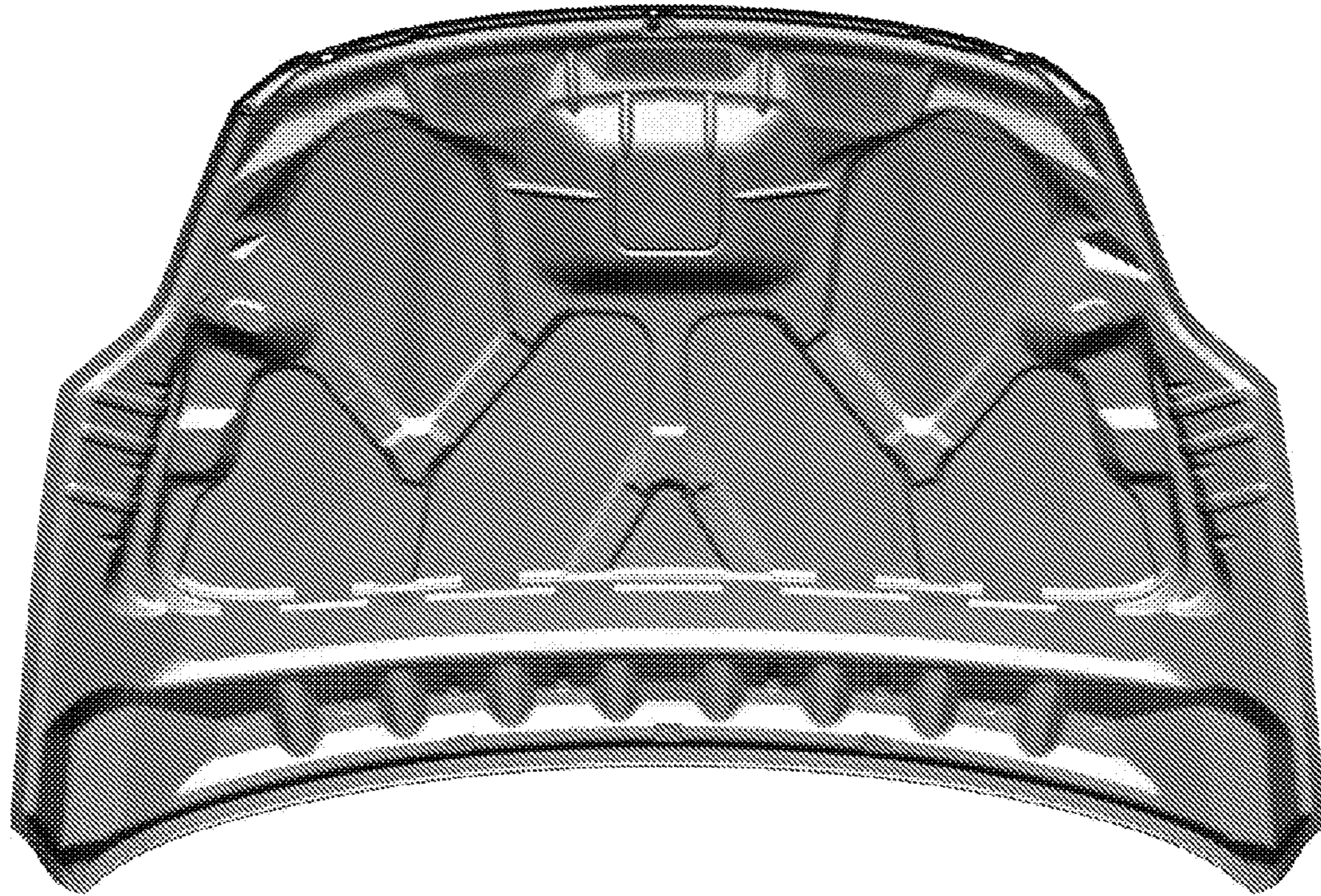


Fig 3

Fig 4

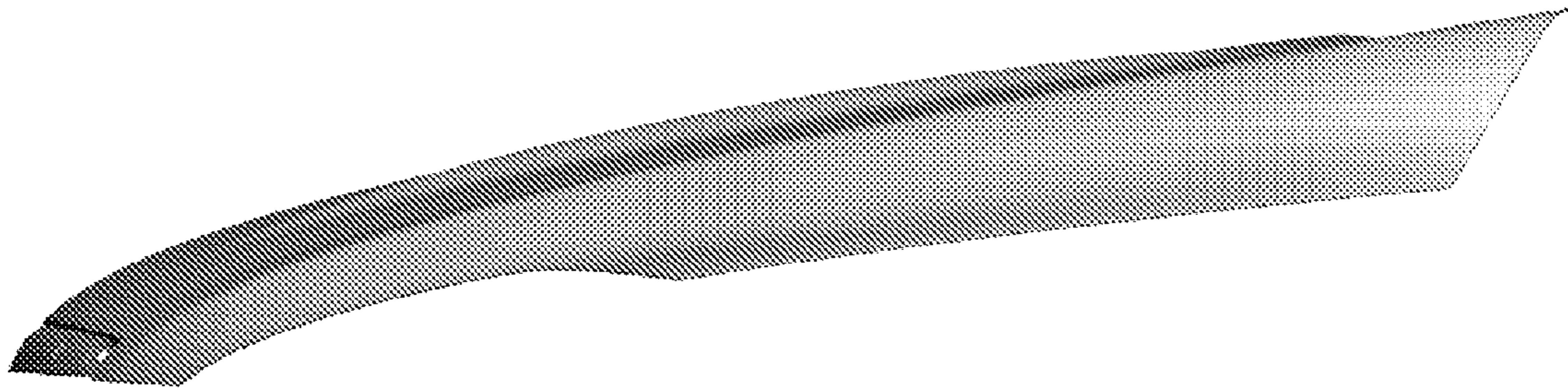
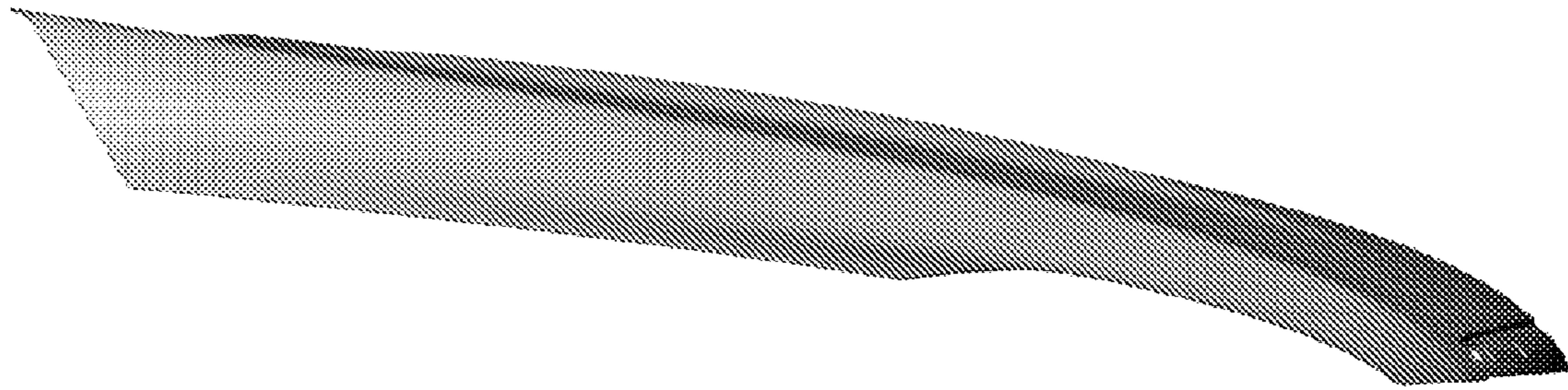


Fig 5



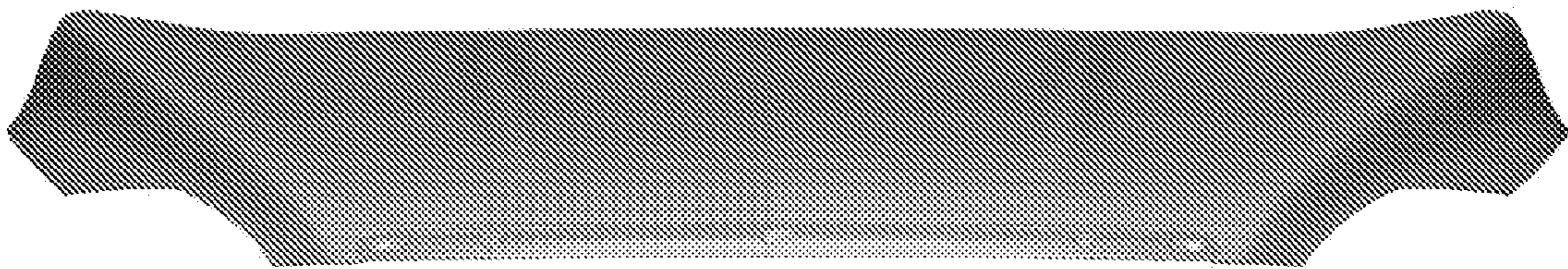


Fig 6

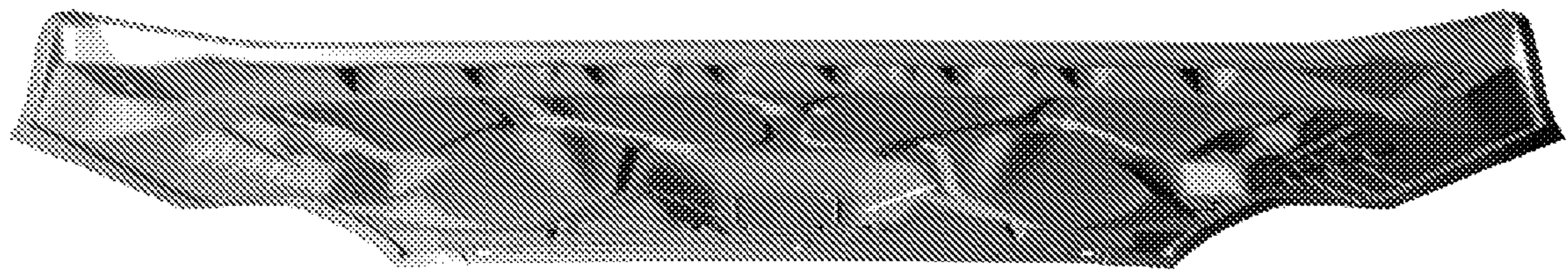


Fig 7