



US00D580320S

(12) **United States Design Patent**
Lamm

(10) **Patent No.:** **US D580,320 S**

(45) **Date of Patent:** **** Nov. 11, 2008**

(54) **VEHICLE FRONT BUMPER COVER**

(75) Inventor: **Stefan Lamm**, Köln (DE)

(73) Assignee: **Ford Global Technologies, LLC**,
Dearborn, MI (US)

(**) Term: **14 Years**

(21) Appl. No.: **29/298,819**

(22) Filed: **Dec. 13, 2007**

(30) **Foreign Application Priority Data**

Aug. 22, 2007 (DE) 4 07 04 248

(51) **LOC (8) Cl.** **12-16**

(52) **U.S. Cl.** **D12/169**

(58) **Field of Classification Search** D12/169,
D12/196, 171, 163, 216, 90-92, 86; 293/102,
293/113, 115, 117, 120; 296/180.1, 180.2
See application file for complete search history.

(56) **References Cited**

U.S. PATENT DOCUMENTS

D550,129 S *	9/2007	Koizumi et al.	D12/169
D559,745 S *	1/2008	Hieke	D12/169
D561,073 S *	2/2008	Okamoto et al.	D12/169
D561,660 S *	2/2008	Tabata et al.	D12/169
D563,841 S *	3/2008	Pfeiffer	D12/169

* cited by examiner

Primary Examiner—Melody N Brown

(74) *Attorney, Agent, or Firm*—Diamian Porcari

(57) **CLAIM**

The ornamental design for a vehicle front bumper cover, as shown and described.

DESCRIPTION

FIG. 1 is a front elevational view of the vehicle front bumper cover;

FIG. 2 is a left side elevational view of the vehicle front bumper cover;

FIG. 3 is a right side elevational view of the vehicle front bumper cover;

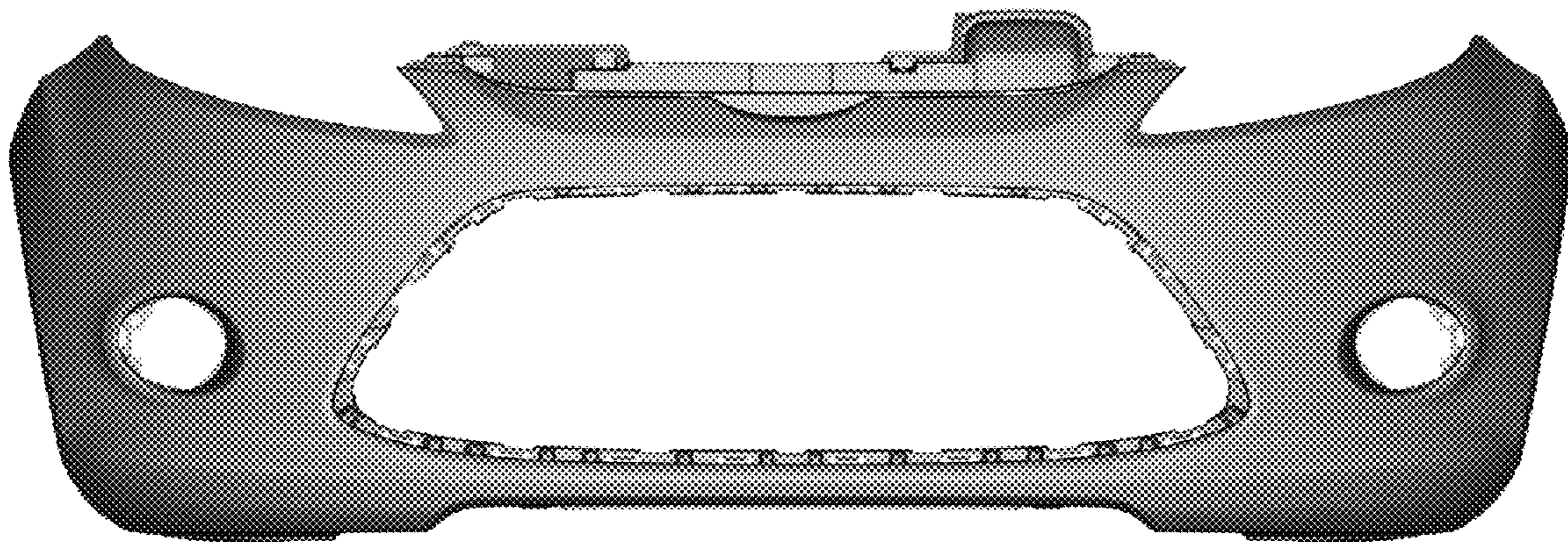
FIG. 4 is a top plan view of the vehicle front bumper cover; and

FIG. 5 is a bottom plan view of the vehicle front bumper cover; and,

FIG. 6 is a rear elevational view of the vehicle front bumper cover.

The vehicle front bumper cover is styled independently of adjacent vehicle panels. To the extent that any feature lines are illustrated, they are intended to illustrate the crest and valley of the feature and are not necessarily sharp bends in the part. Shading is used to illustrate the curvature of the part and not color. Views are orthogonal projections unless otherwise noted. The various views are not necessarily to scale in order to better illustrate the design.

1 Claim, 6 Drawing Sheets



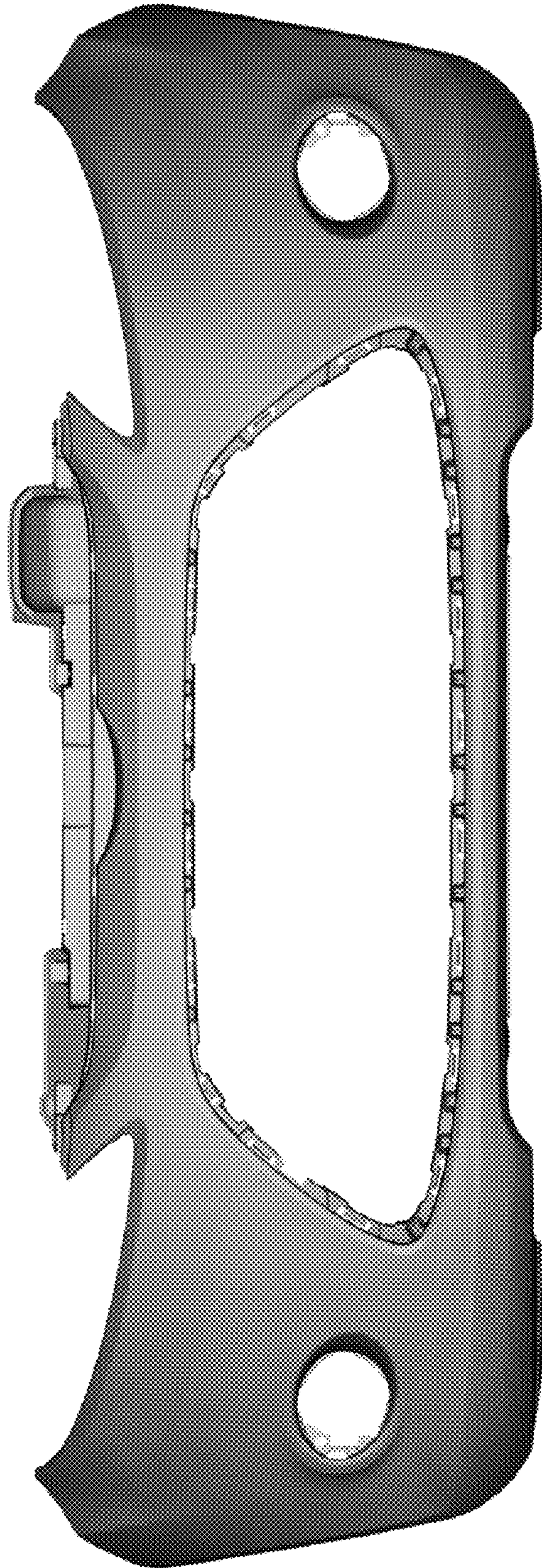


Figure 1

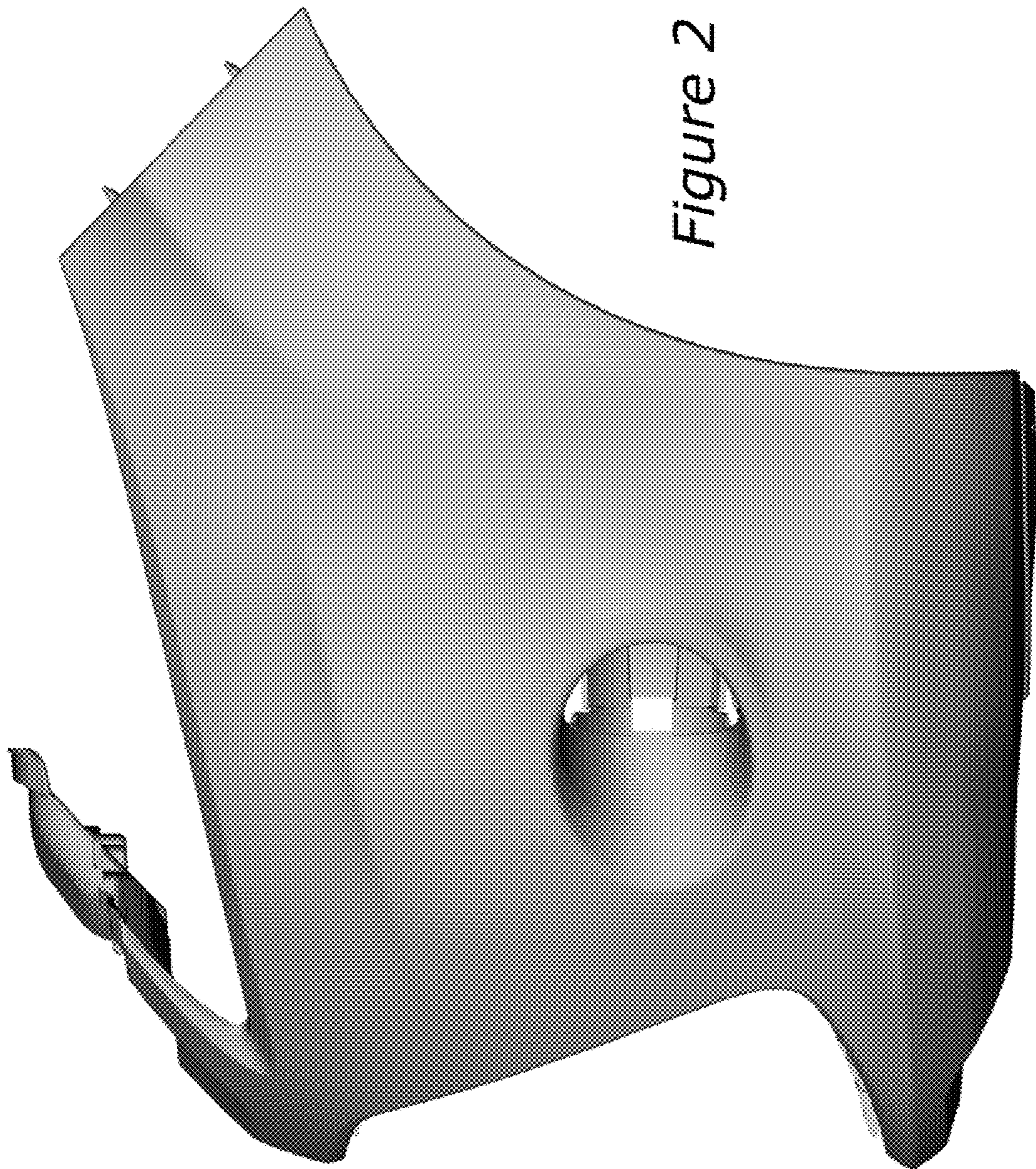


Figure 2

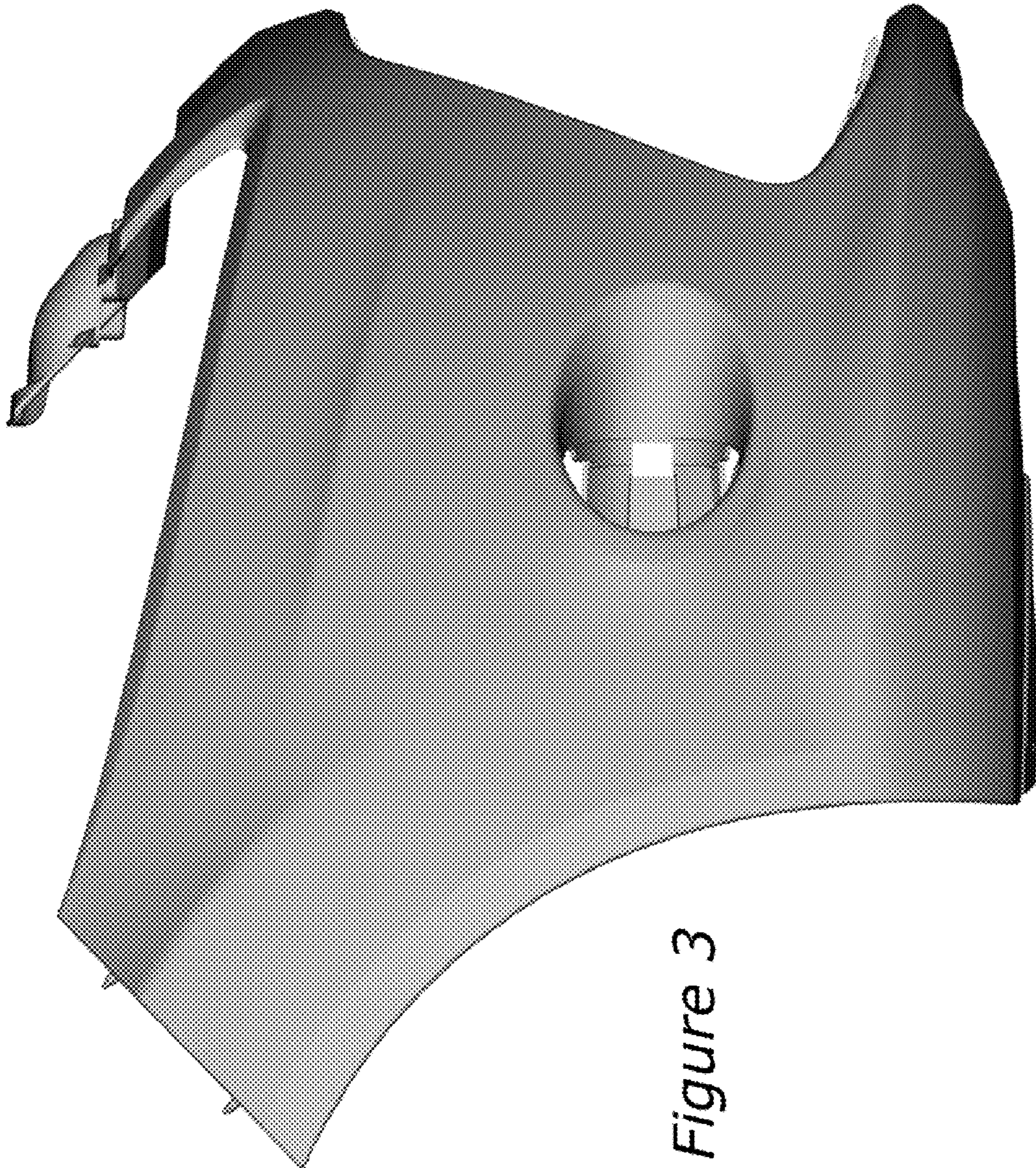


Figure 3

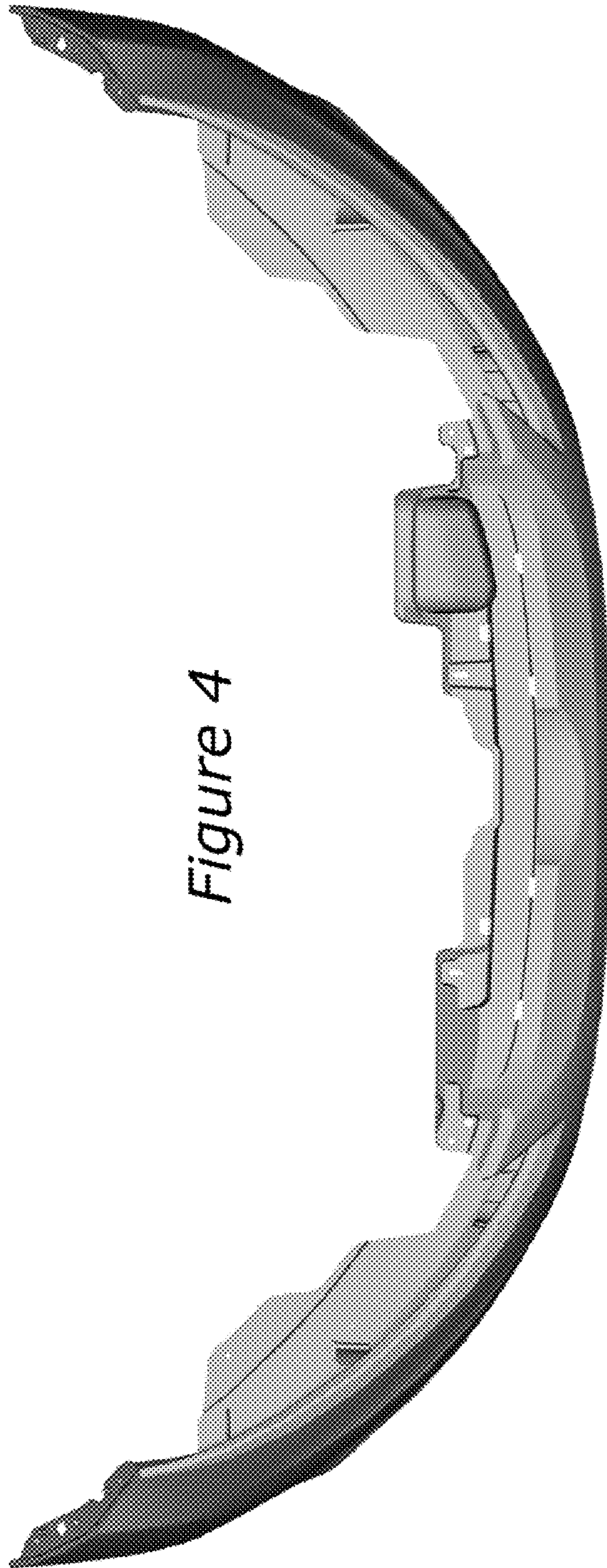


Figure 4

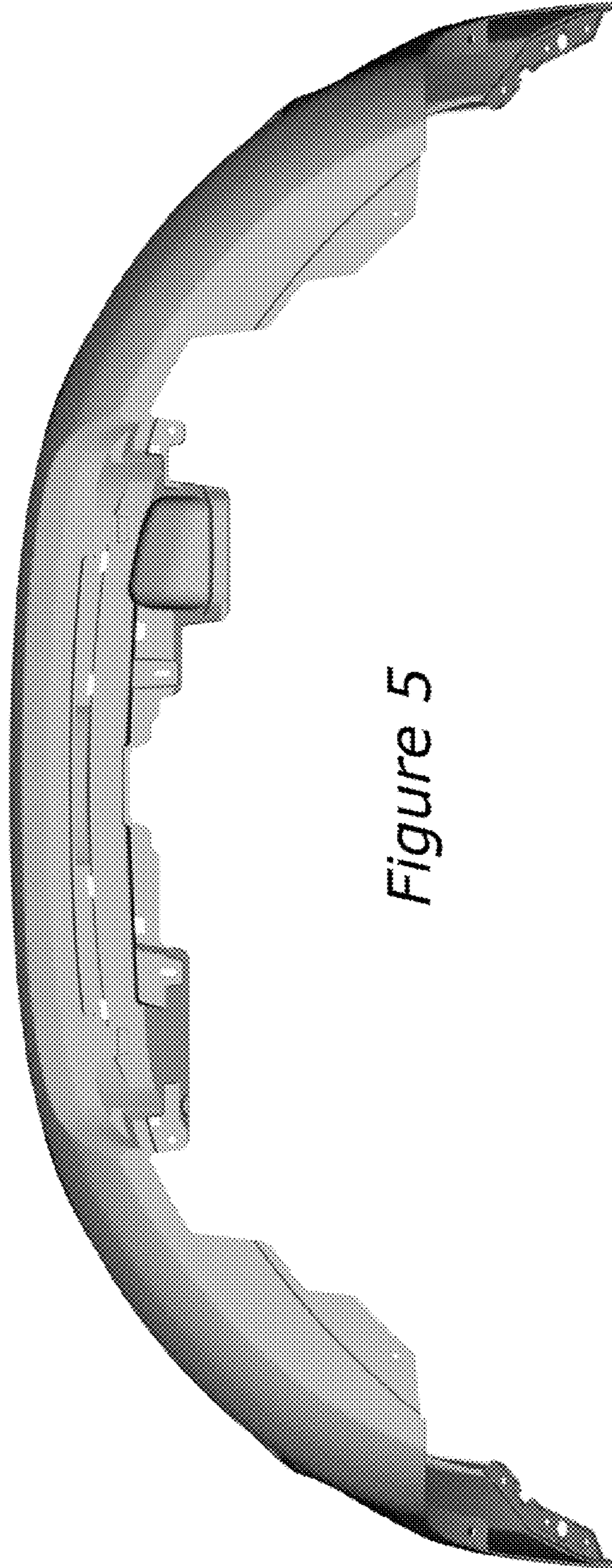


Figure 5

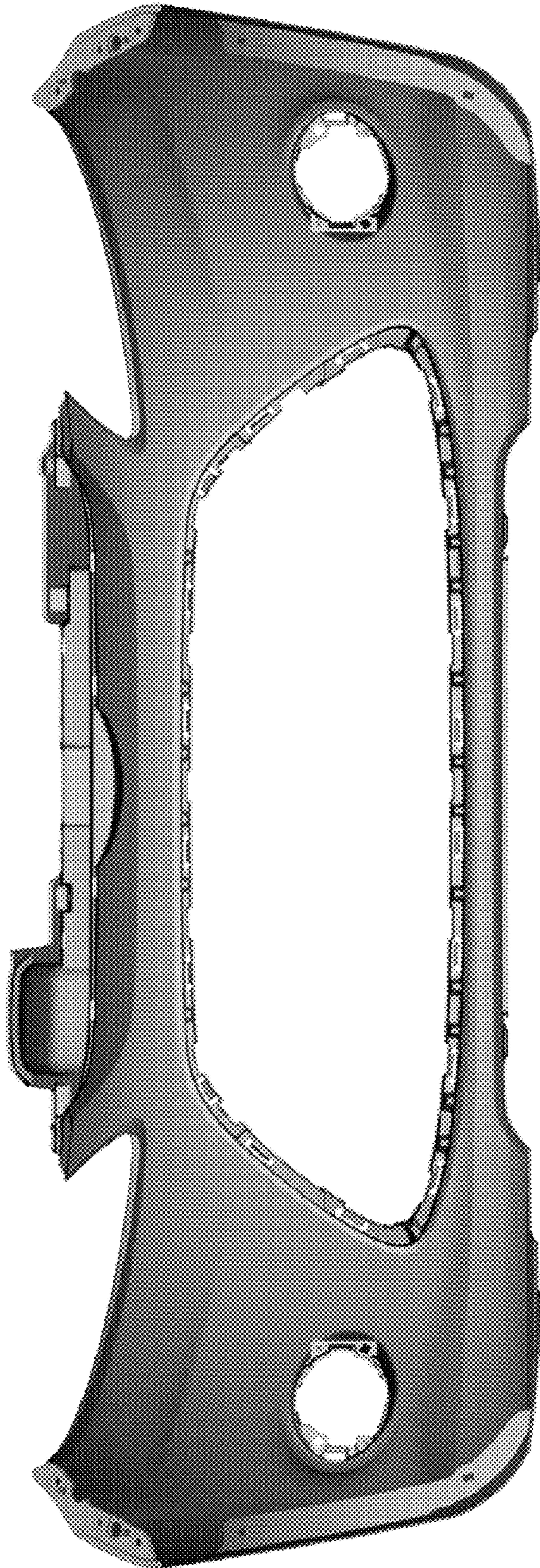


Figure 6