



US00D580318S

(12) **United States Design Patent**  
**Gueler et al.**

(10) **Patent No.:** **US D580,318 S**

(45) **Date of Patent:** **\*\* Nov. 11, 2008**

(54) **VEHICLE FRONT BUMPER COVER**

(74) *Attorney, Agent, or Firm*—Damian Porcari

(75) Inventors: **Murat Gueler**, Köln (DE); **Stefan Lamm**, Köln (DE)

(57) **CLAIM**

The ornamental design for a vehicle front bumper cover, as shown and described.

(73) Assignee: **Ford Global Technologies, LLC**, Dearborn, MI (US)

(\*\*) Term: **14 Years**

**DESCRIPTION**

(21) Appl. No.: **29/298,803**

FIG. 1 is a perspective view of a vehicle front bumper cover; FIG. 2 is a front elevational view of the vehicle front bumper cover;

(22) Filed: **Dec. 13, 2007**

FIG. 3 is a rear elevational view of the vehicle front bumper cover;

(30) **Foreign Application Priority Data**

Aug. 14, 2007 (DE) ..... 40704114

FIG. 4 is a left side elevational view of the vehicle front bumper cover;

(51) **LOC (8) Cl.** ..... **12-16**

FIG. 5 is a right side elevational view of the vehicle front bumper cover;

(52) **U.S. Cl.** ..... **D12/169**

(58) **Field of Classification Search** ..... D12/169, D12/196, 171, 163, 216, 90-92, 86; 293/102, 293/113, 115, 117, 120; 296/180.1, 180.2

FIG. 6 is a bottom plan view of the vehicle front bumper cover; and,

See application file for complete search history.

FIG. 7 is a top plan view of the vehicle front bumper cover.

(56) **References Cited**

The vehicle front bumper cover is styled independently of adjacent vehicle panels. To the extent that any feature lines are illustrated, they are intended to illustrate the crest and valley of the feature and are not necessarily sharp bends in the part. Shading is used to illustrate the curvature of the part and not color. Areas shown in or sounded by broken lines are not claimed. Any functional features of the vehicle front bumper cover are not claimed. Views are orthogonal projections unless otherwise noted. The various views are not necessarily to scale in order to better illustrate the design.

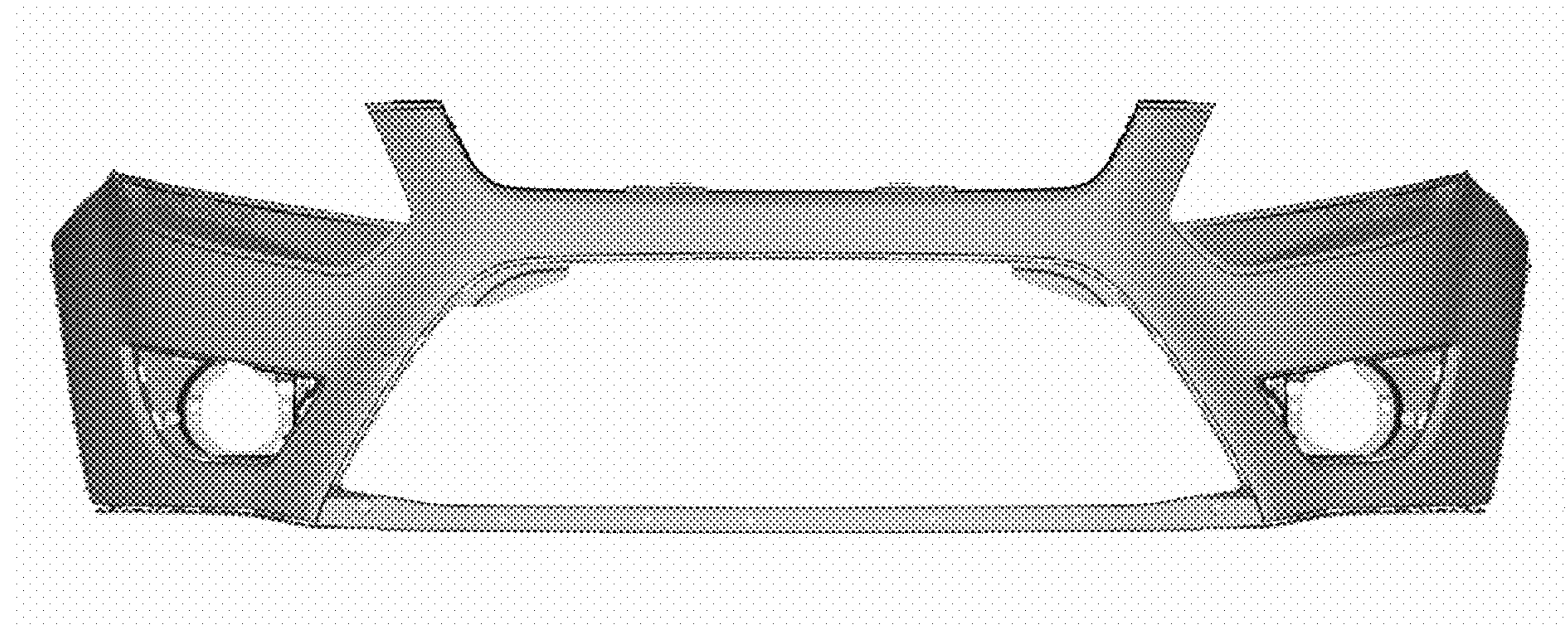
**U.S. PATENT DOCUMENTS**

D550,129 S *	9/2007	Koizumi et al. ....	D12/169
D559,745 S *	1/2008	Hieke .....	D12/169
D561,073 S *	2/2008	Okamoto et al. ....	D12/169
D561,660 S *	2/2008	Tabata et al. ....	D12/169
D563,841 S *	3/2008	Pfeiffer .....	D12/169

\* cited by examiner

*Primary Examiner*—Melody N Brown

**1 Claim, 6 Drawing Sheets**



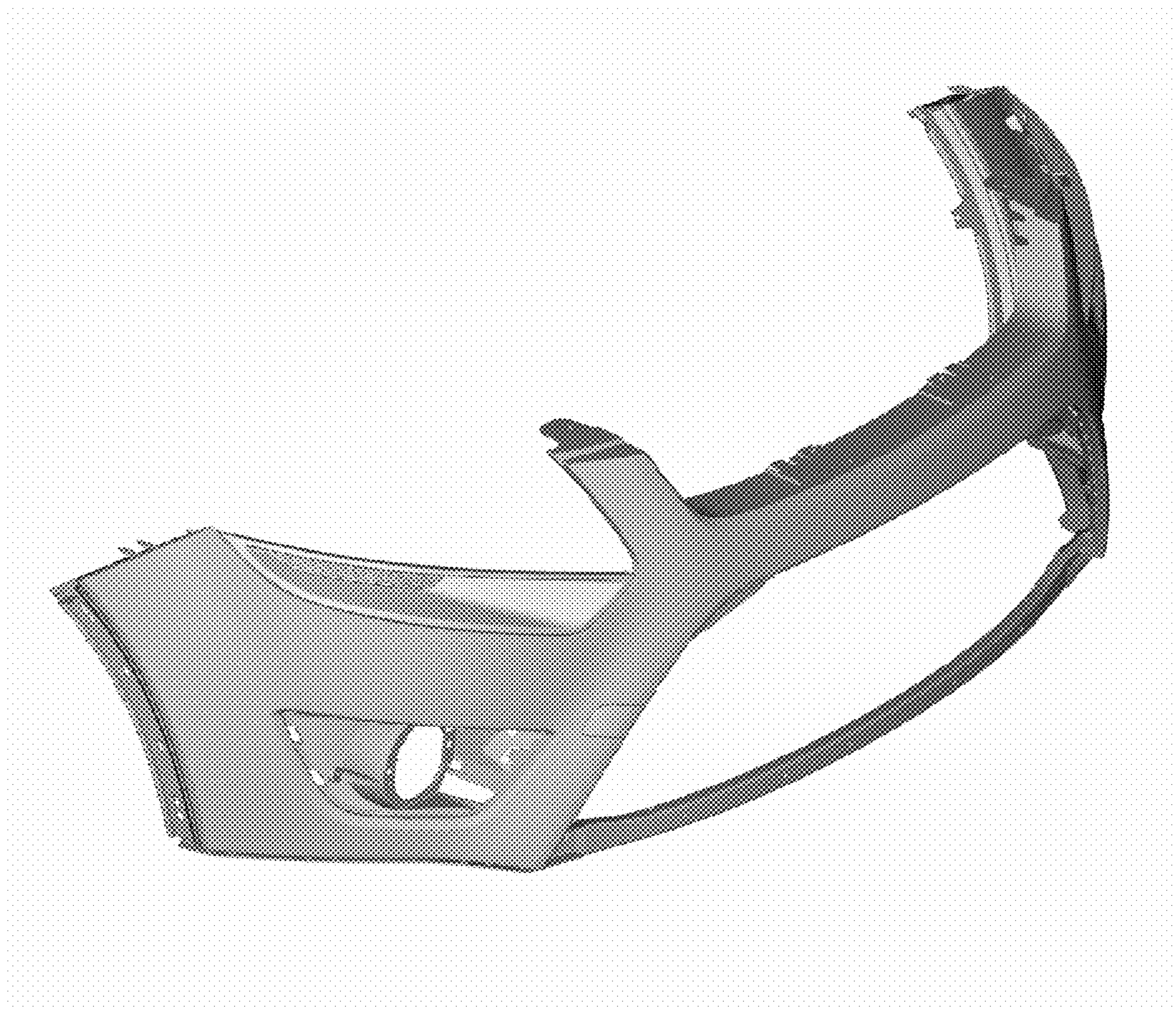


Fig 1

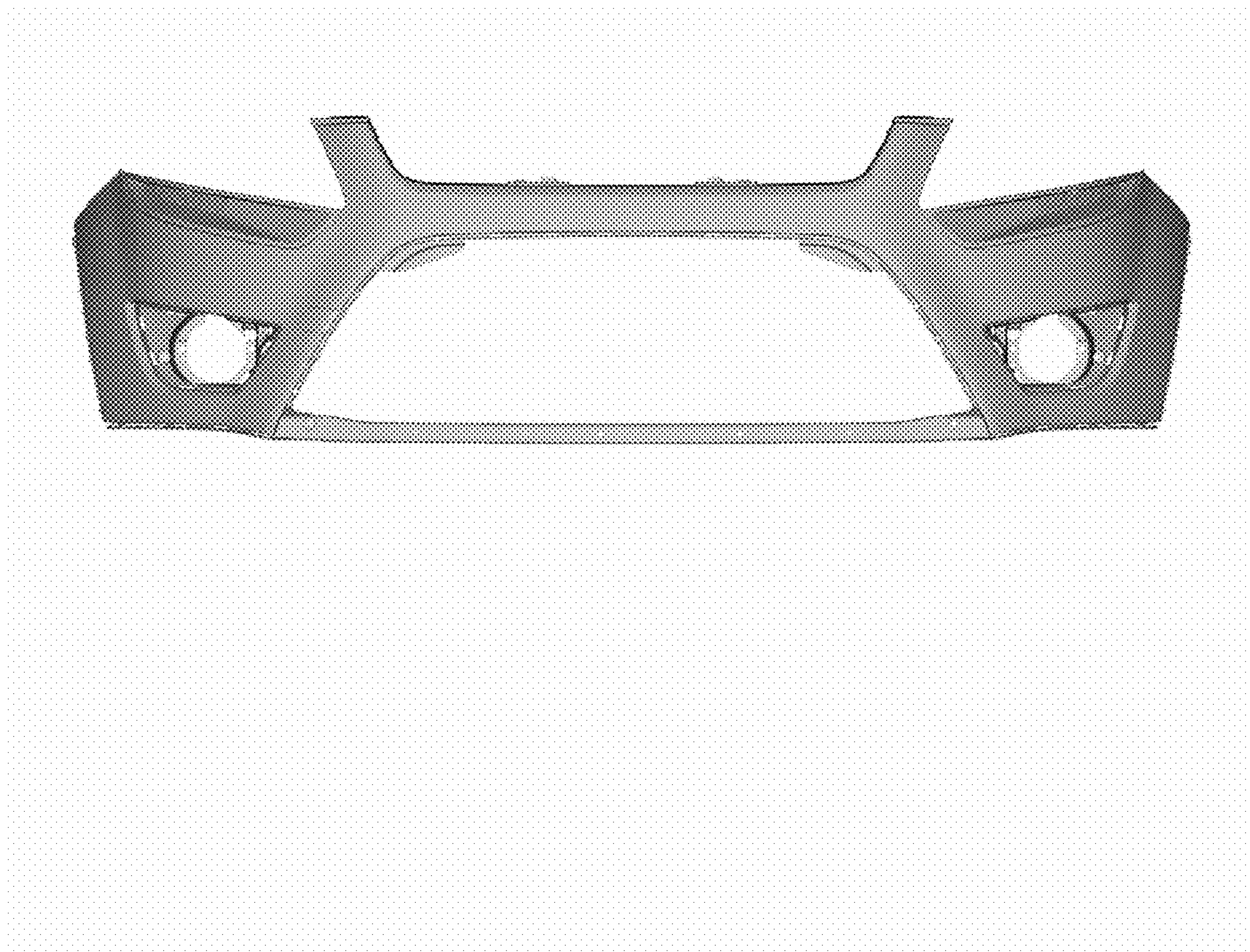


Fig 2

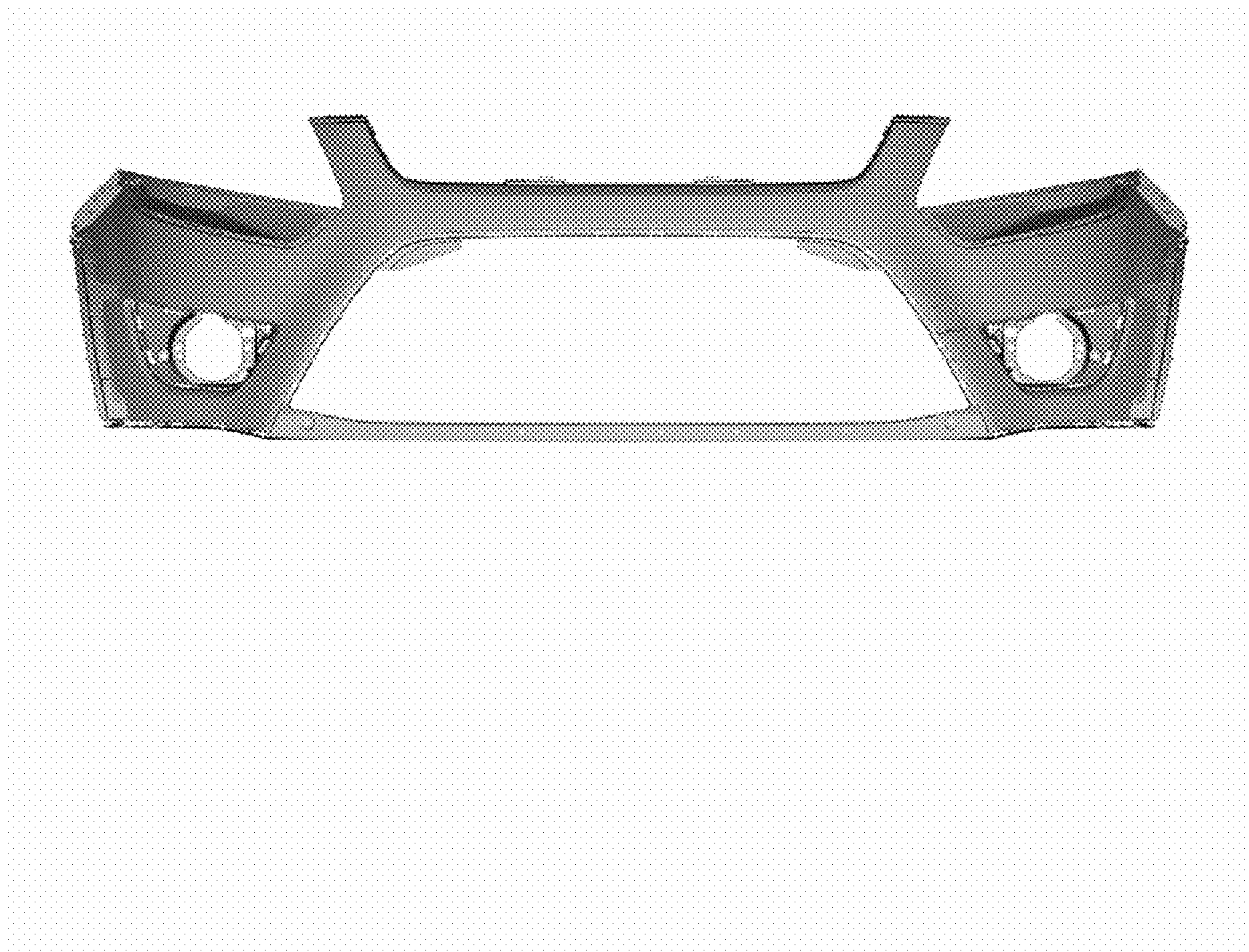


Fig 3

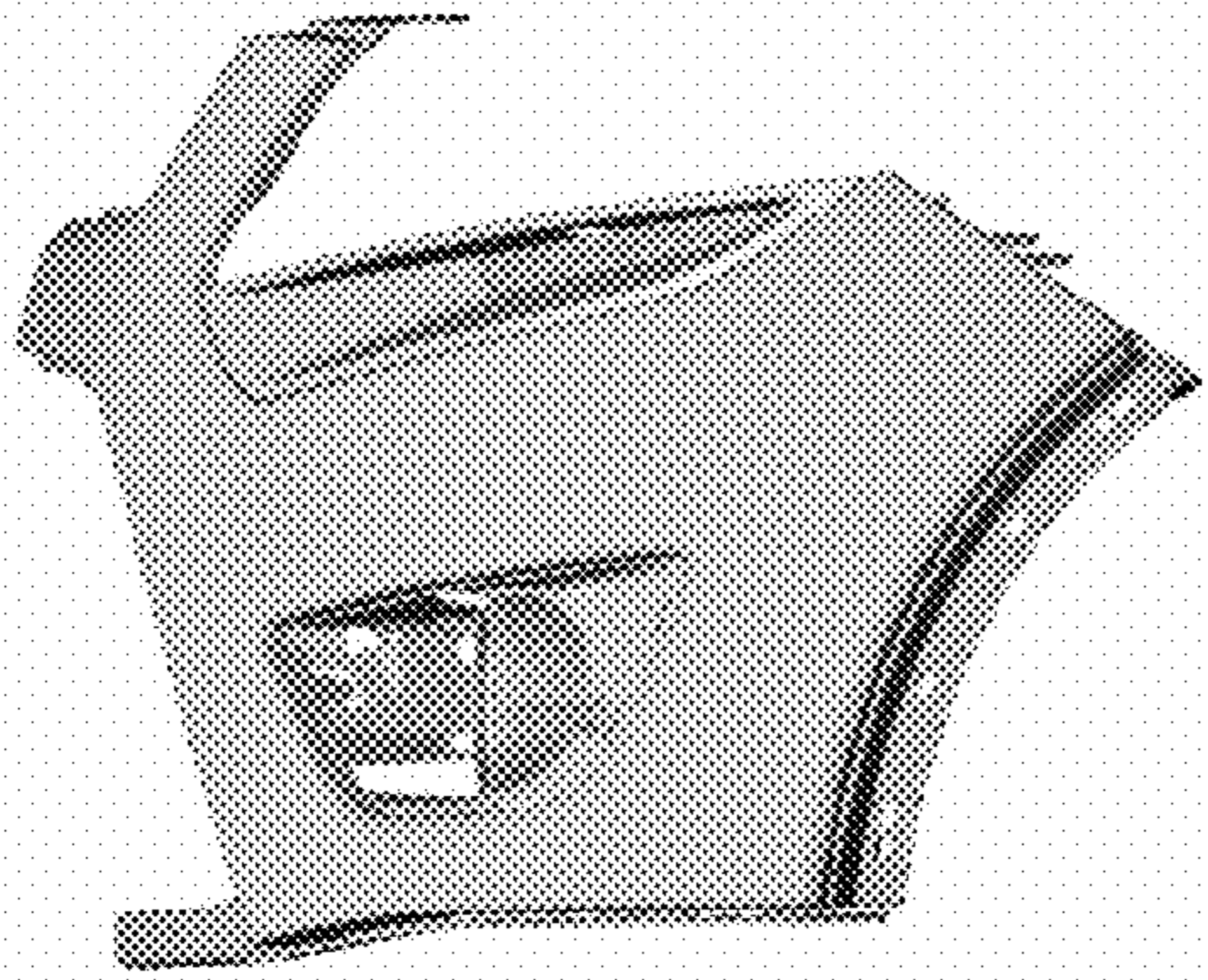


Fig 4

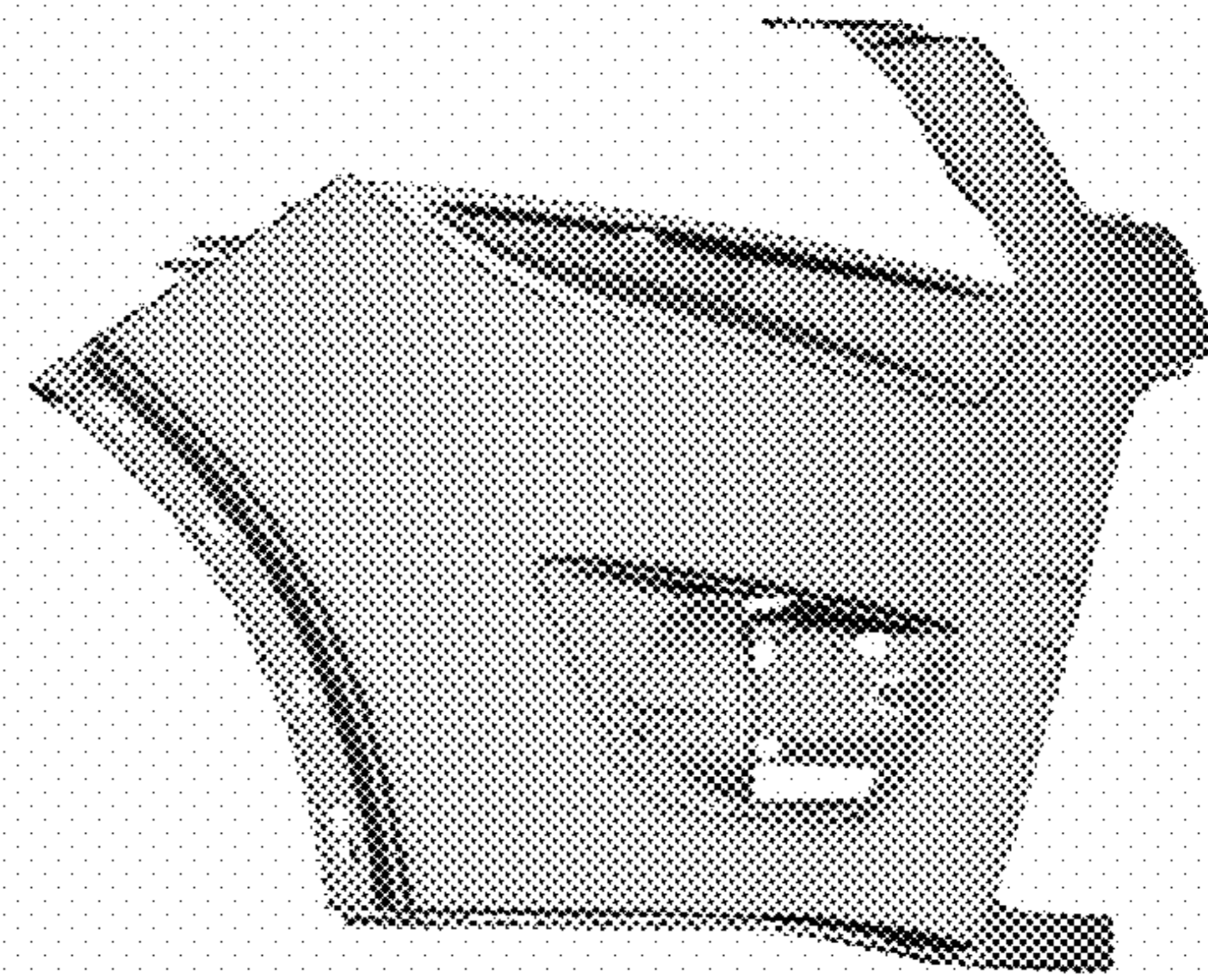


Fig 5

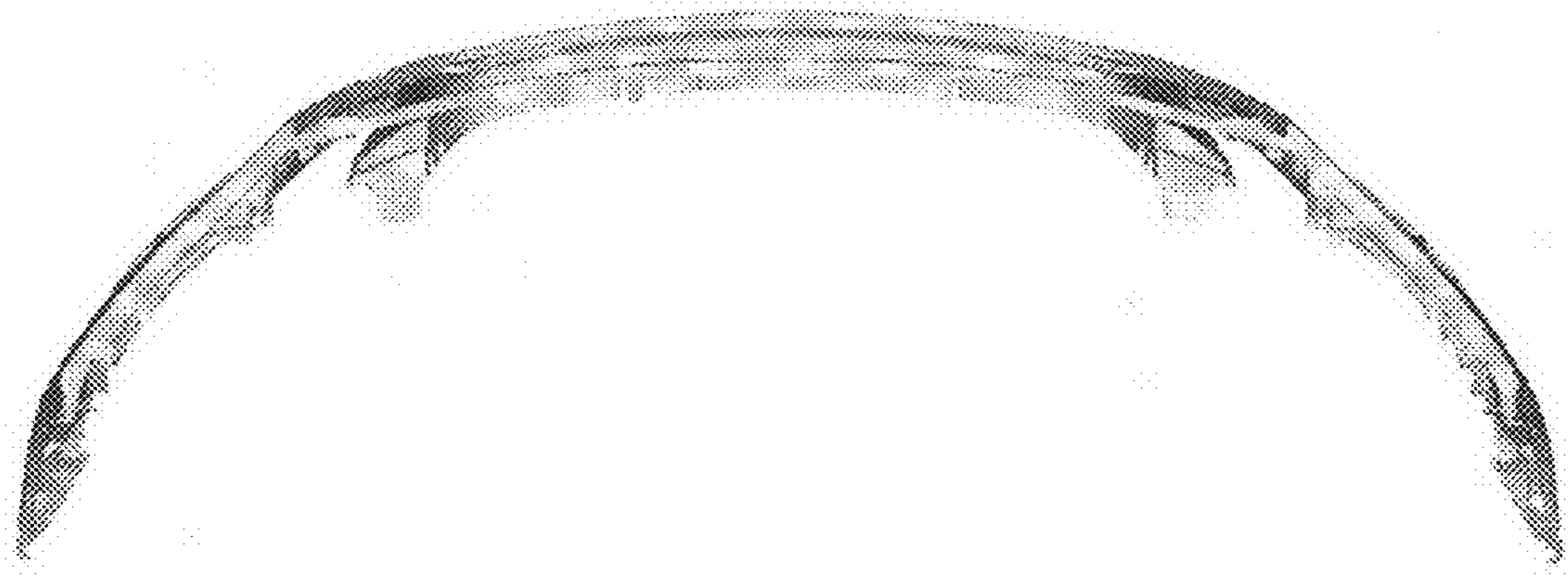


Fig 6



Fig 7