



US00D580317S

(12) **United States Design Patent**
Gueller et al.

(10) **Patent No.:** **US D580,317 S**
(45) **Date of Patent:** **** Nov. 11, 2008**

(54) **VEHICLE REAR LOWER BUMPER COVER**

(75) Inventors: **Murat Gueller**, Köln (DE); **Stefan Lamm**, Köln (DE)

(73) Assignee: **Ford Global Technologies, LLC**, Dearborn, MI (US)

(**) Term: **14 Years**

(21) Appl. No.: **29/298,797**

(22) Filed: **Dec. 13, 2007**

(30) **Foreign Application Priority Data**

Aug. 14, 2007 (DE) 40704114

(51) **LOC (8) Cl.** **12-16**

(52) **U.S. Cl.** **D12/169**

(58) **Field of Classification Search** D12/169,
D12/196, 171, 163, 216, 90-92, 86; 293/102,
293/113, 115, 117, 120; 296/180.1, 180.2

See application file for complete search history.

(56) **References Cited**

U.S. PATENT DOCUMENTS

- D519,069 S * 4/2006 Clark et al. D12/169
- D540,722 S * 4/2007 Angelo et al. D12/169
- D543,911 S * 6/2007 Golden et al. D12/169
- D567,725 S * 4/2008 Spearman-Oxx et al. ... D12/169

* cited by examiner

Primary Examiner—Melody N Brown

(74) *Attorney, Agent, or Firm*—Damian Porcari

(57) **CLAIM**

The ornamental design for a vehicle rear lower bumper cover, as shown and described.

DESCRIPTION

FIG. 1 is a perspective view of a right vehicle rear lower bumper cover (the left being a mirror and not shown);

FIG. 2 is another perspective view of the vehicle rear lower bumper cover;

FIG. 3 is a rear elevational view of the vehicle rear lower bumper cover;

FIG. 4 is a left side elevational view of the vehicle rear lower bumper cover;

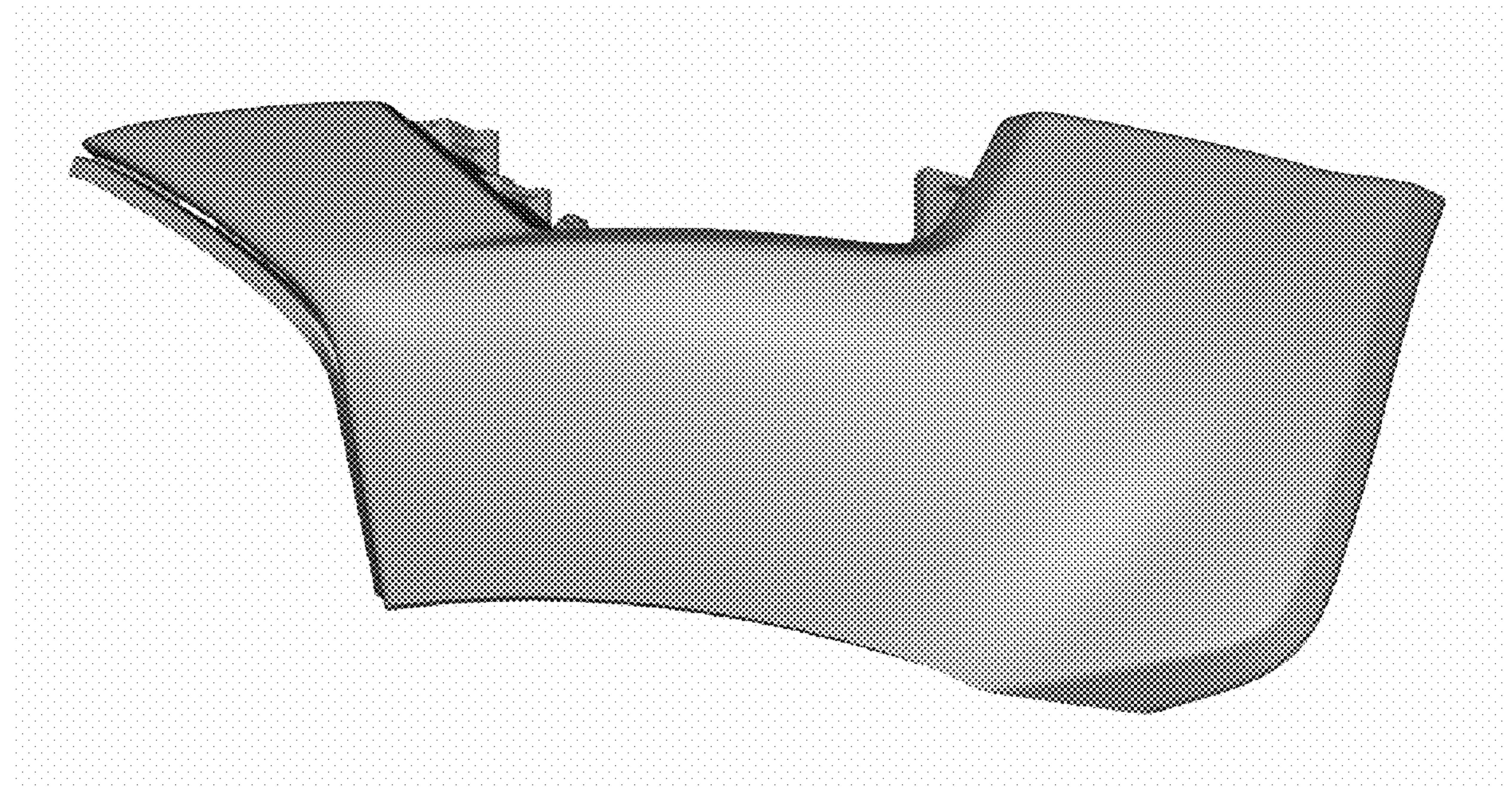
FIG. 5 is a right side elevational view of the vehicle rear lower bumper cover;

FIG. 6 is a top plan view of the vehicle rear lower bumper cover; and,

FIG. 7 is a bottom plan view of the vehicle rear lower bumper cover.

The vehicle rear lower bumper Cover is styled independently of adjacent vehicle panels. To the extent that any feature lines are illustrated, they are intended to illustrate the crest and valley of the feature and are not necessarily sharp bends in the part. Shading is used to illustrate the curvature of the part and not color. Areas shown in or sounded by broken lines are not claimed. Any functional features of the vehicle rear lower bumper cover are not claimed. Views are orthogonal projections unless otherwise noted. The various views are not necessarily to scale in order to better illustrate the design.

1 Claim, 7 Drawing Sheets



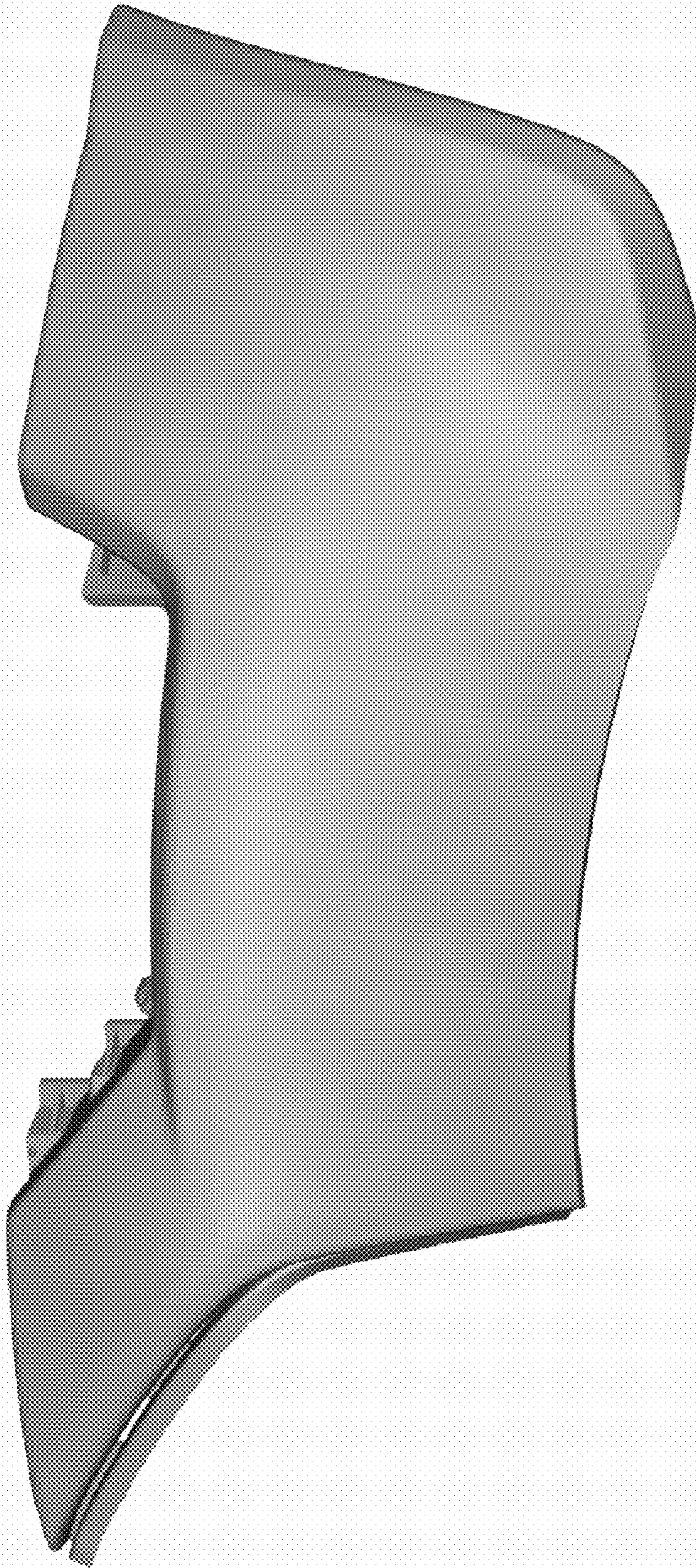


Fig 1

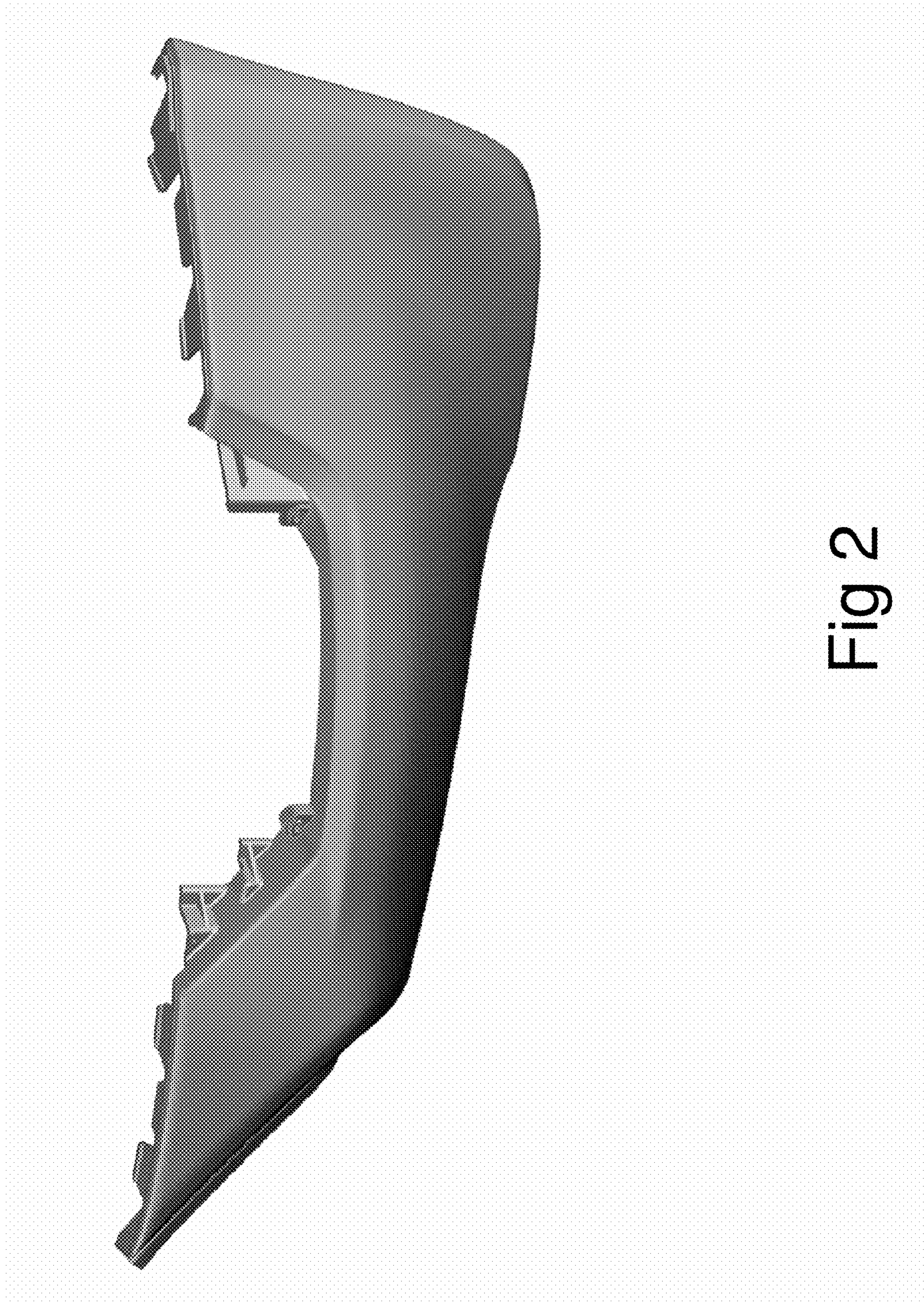


Fig 2

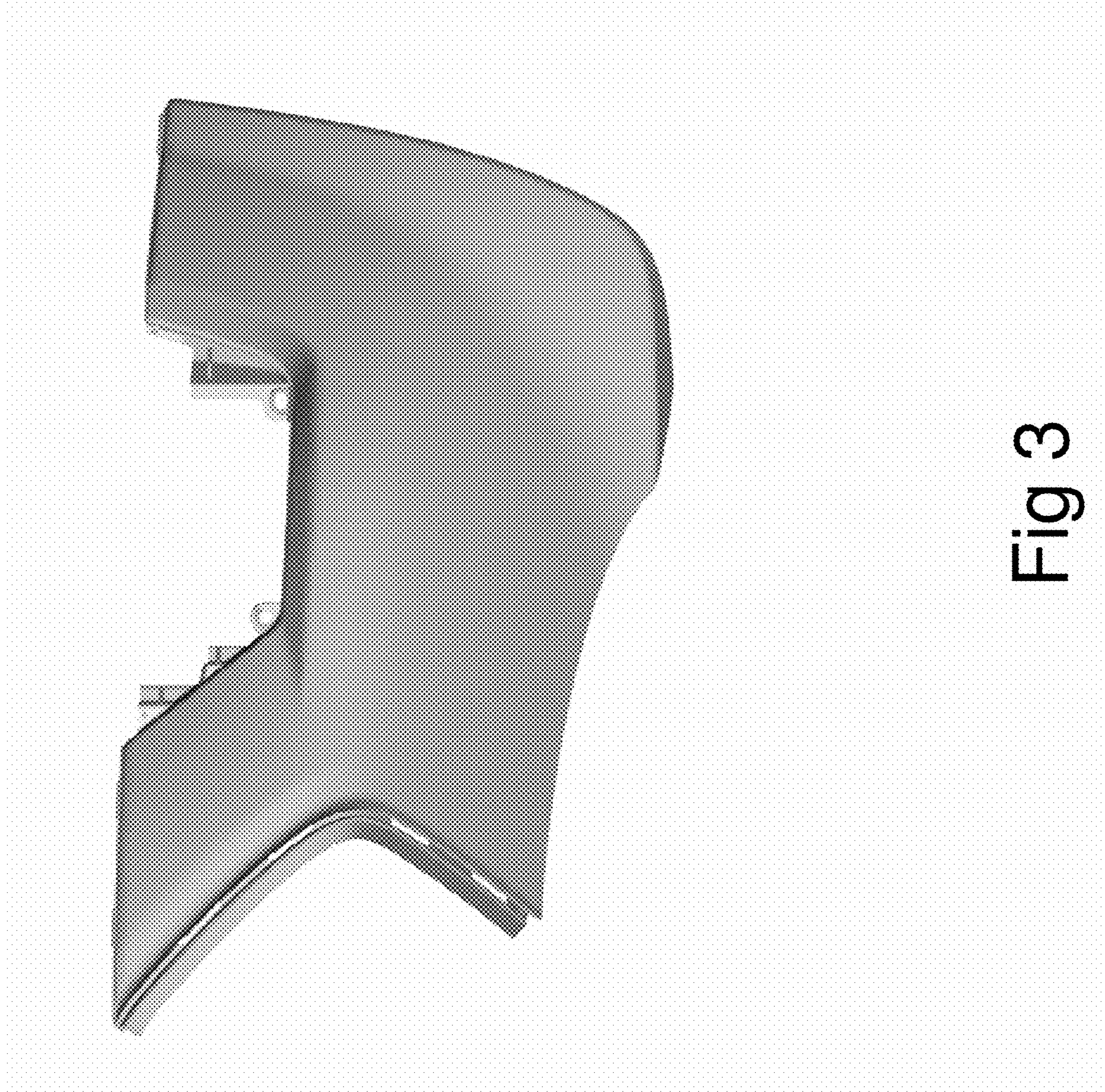


Fig 3

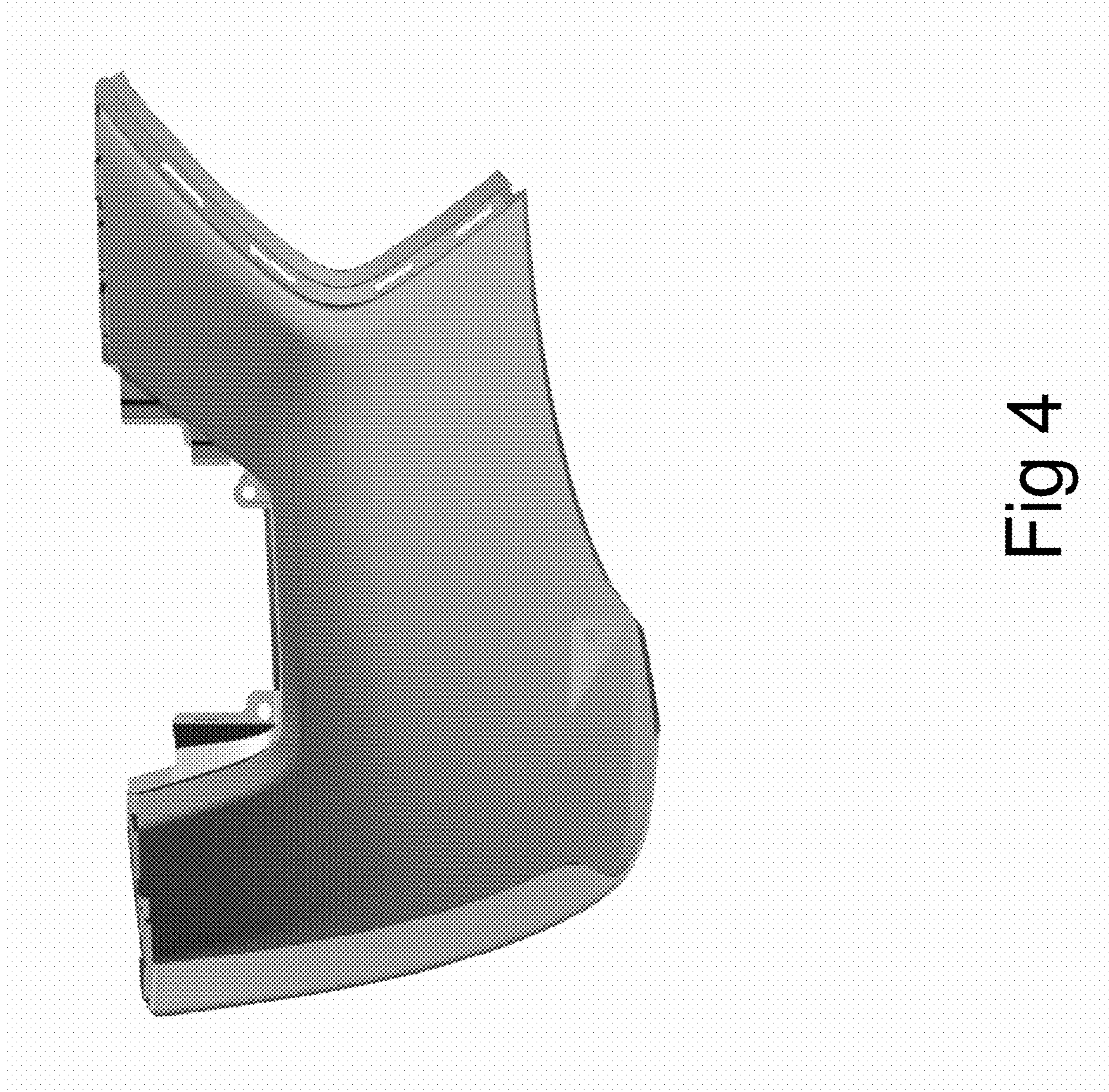


Fig 4

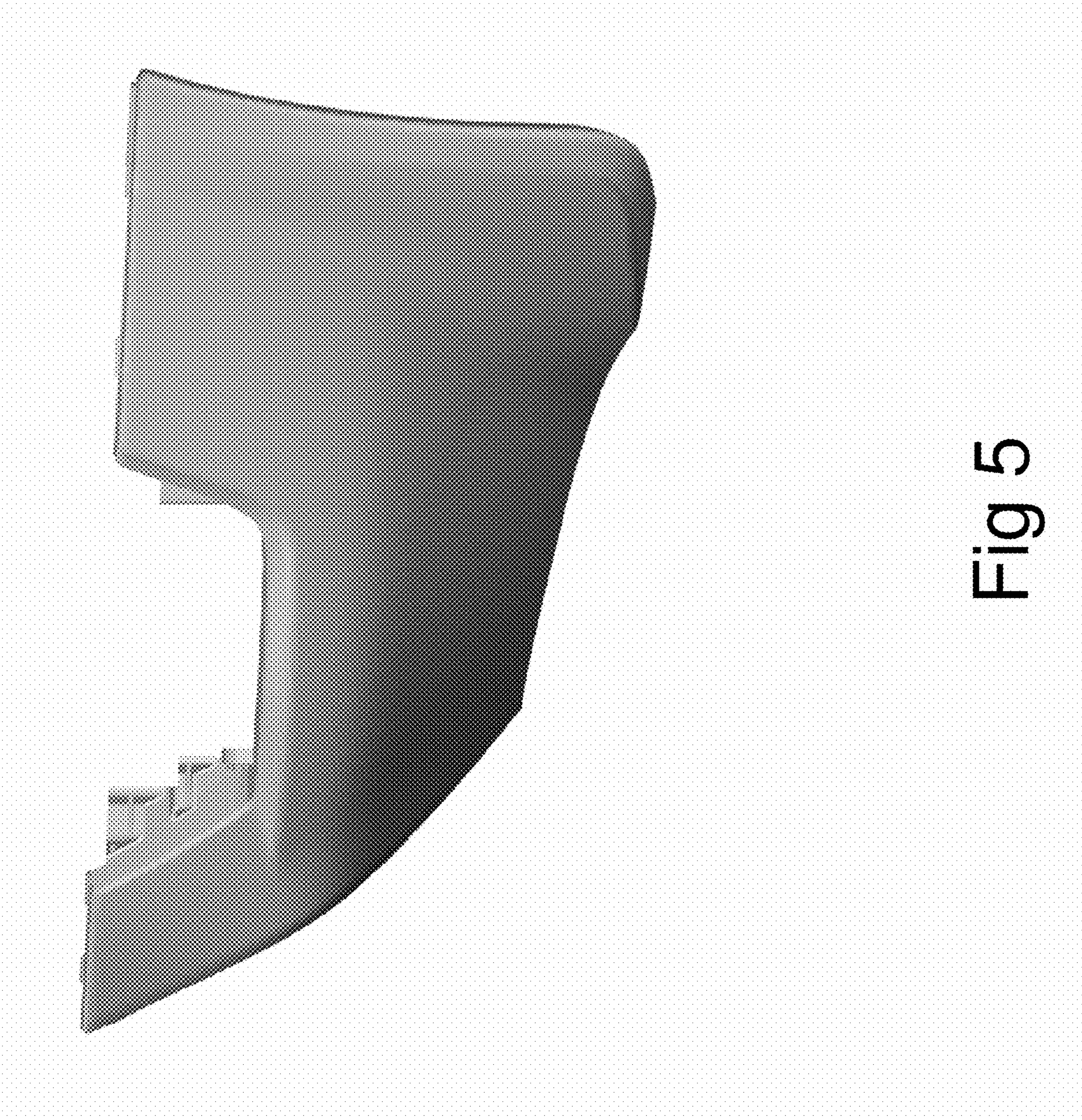


Fig 5

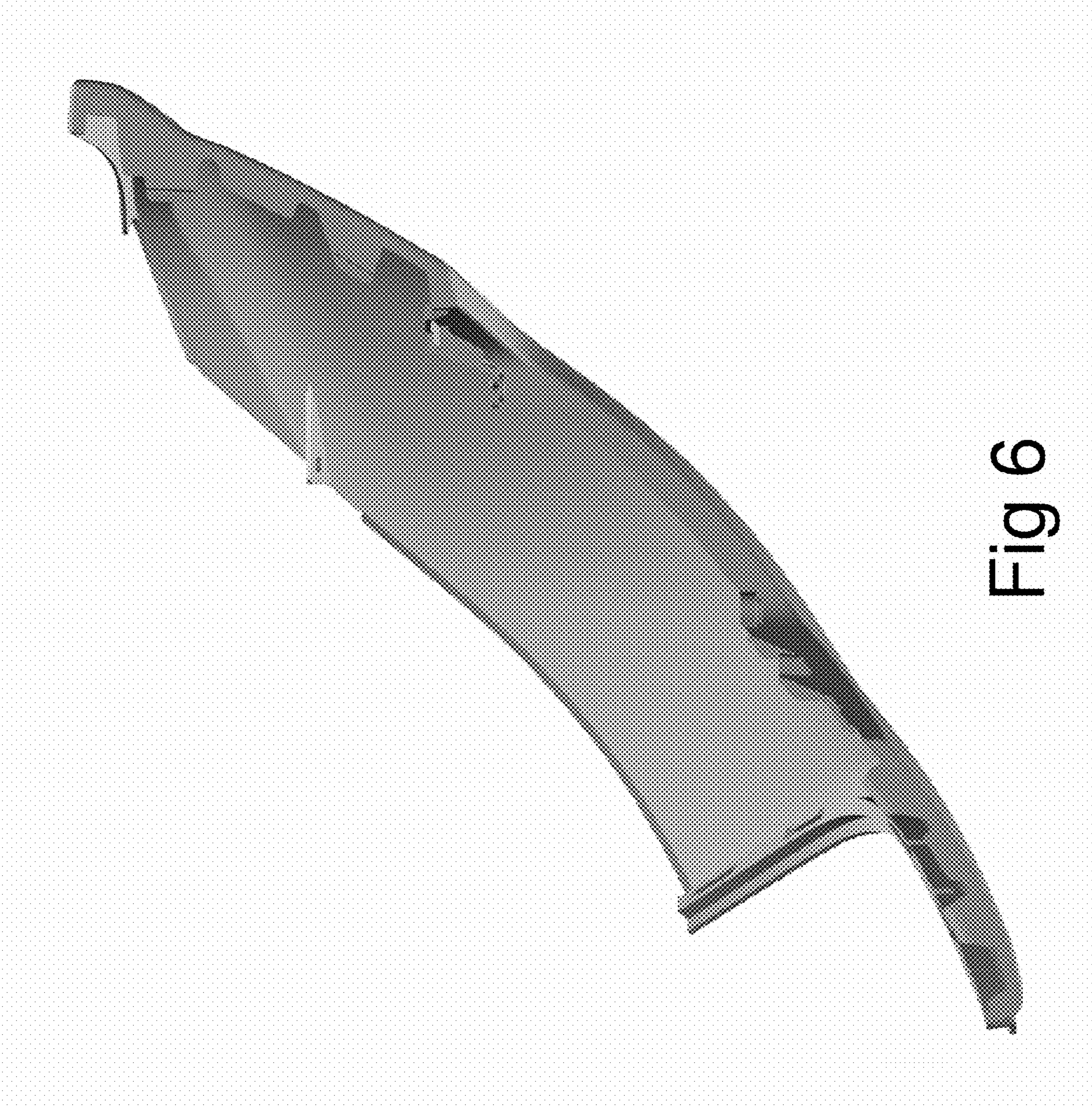


Fig 6

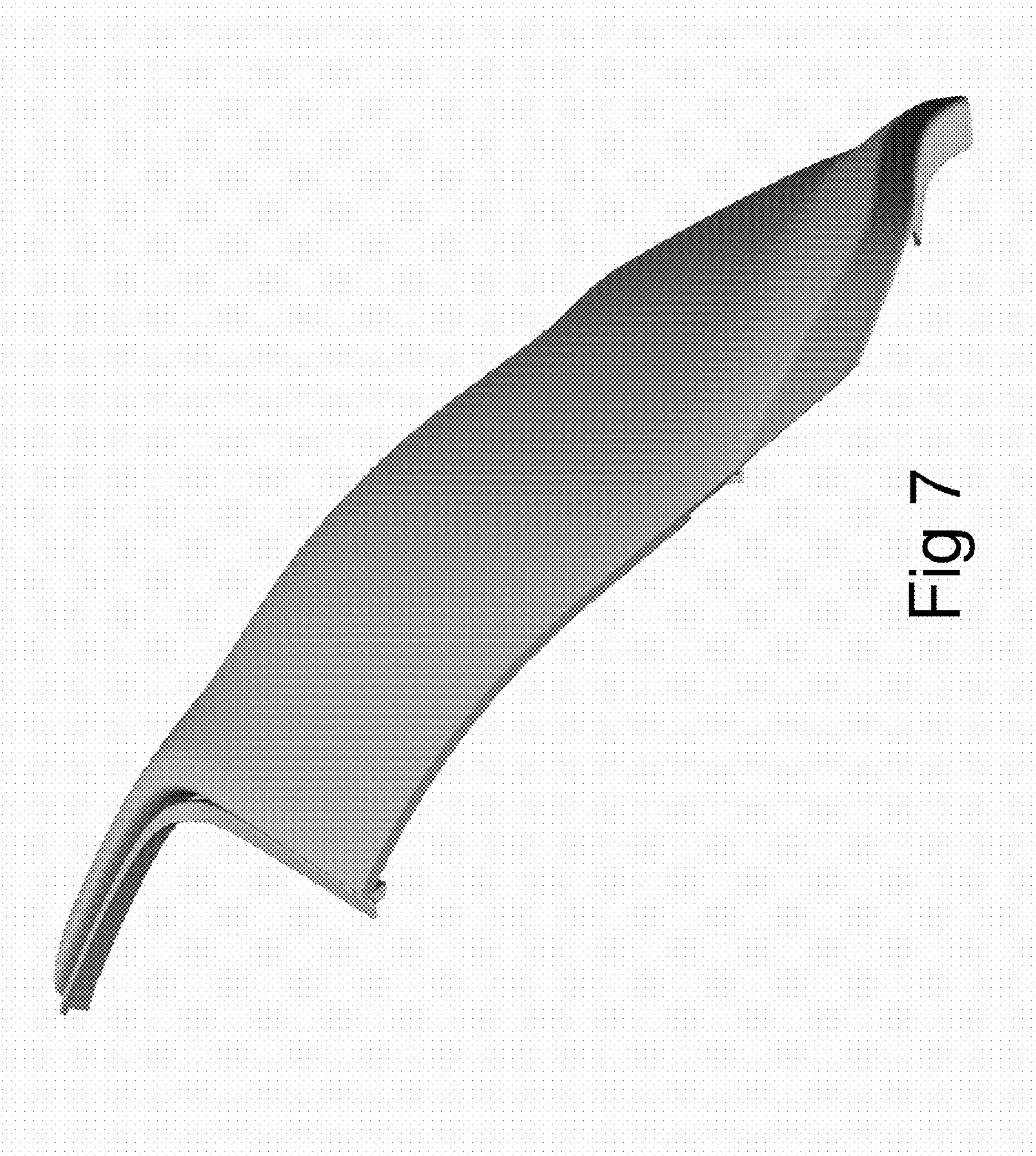


Fig 7