



US00D580316S

(12) **United States Design Patent**  
**Gueler et al.**

(10) **Patent No.:** **US D580,316 S**  
(45) **Date of Patent:** **\*\* Nov. 11, 2008**

(54) **VEHICLE REAR BUMPER COVER**

(75) Inventors: **Murat Gueler**, Köln (DE); **Stefan Lamm**, Köln (DE)

(73) Assignee: **Ford Global Technologies, LLC**, Dearborn, MI (US)

(\*\*) Term: **14 Years**

(21) Appl. No.: **29/298,796**

(22) Filed: **Dec. 13, 2007**

(30) **Foreign Application Priority Data**

Aug. 14, 2007 (DE) ..... 40704114

(51) **LOC (8) Cl.** ..... **12-16**

(52) **U.S. Cl.** ..... **D12/169**

(58) **Field of Classification Search** ..... D12/169,  
D12/196, 171, 163, 216, 90-92, 86; 293/102,  
293/113, 115, 117, 120; 296/180.1, 180.2  
See application file for complete search history.

(56) **References Cited**

**U.S. PATENT DOCUMENTS**

D525,178 S *	7/2006	Tsubaki et al. ....	D12/169
D535,228 S *	1/2007	Hayashi .....	D12/169
D540,224 S *	4/2007	Gregory et al. ....	D12/169
D540,724 S *	4/2007	Levy .....	D12/169
D545,734 S *	7/2007	Kono .....	D12/169

\* cited by examiner

*Primary Examiner*—Melody N Brown

(74) *Attorney, Agent, or Firm*—Damian Porcari

(57) **CLAIM**

The ornamental design for a vehicle rear bumper cover, as shown and described.

**DESCRIPTION**

FIG. 1 is a perspective view of a vehicle rear bumper cover; FIG. 2 is another perspective view of the vehicle rear bumper cover;

FIG. 3 is a rear elevational view of the vehicle rear bumper cover;

FIG. 4 is a left side elevational view of the vehicle rear bumper cover;

FIG. 5 is a right side elevational view of the vehicle rear bumper cover;

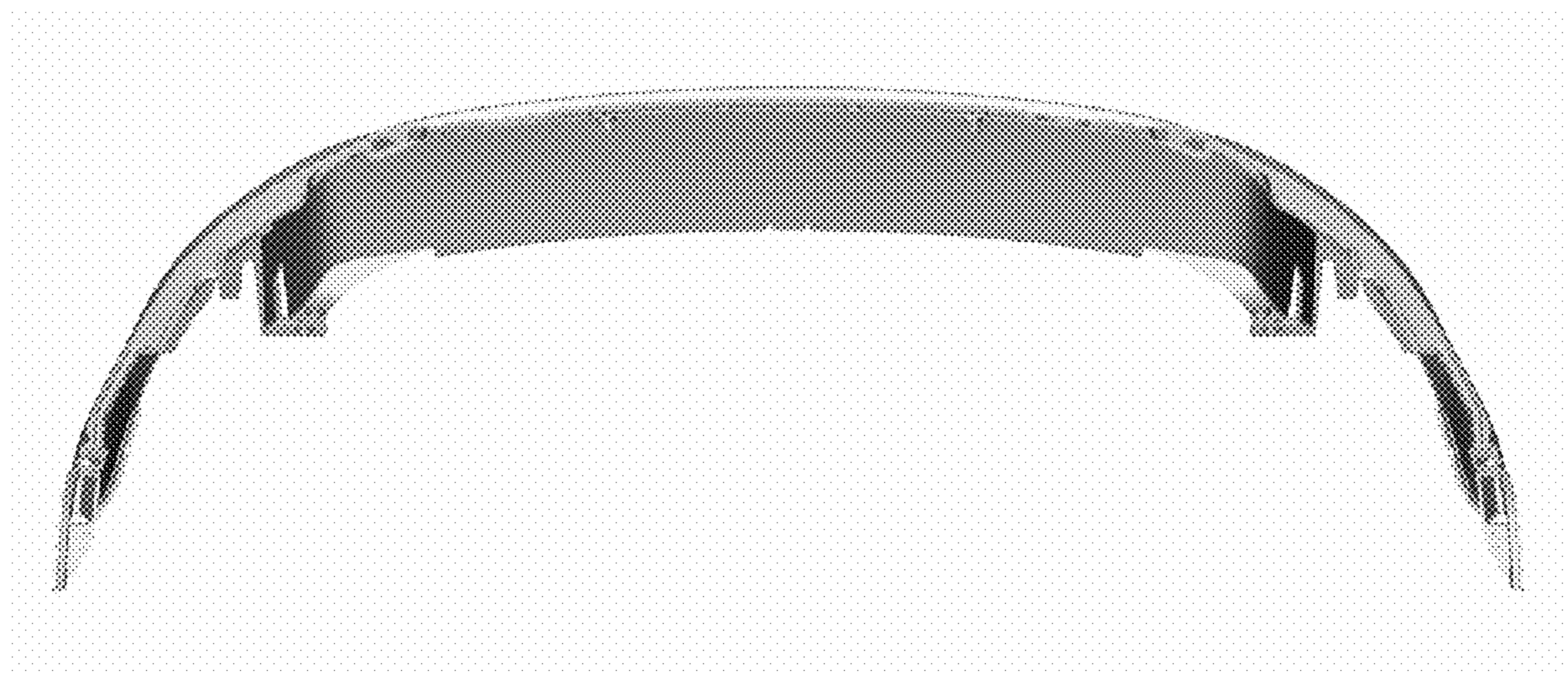
FIG. 6 is a bottom plan view of the vehicle rear bumper cover;

FIG. 7 is a top plan view of the vehicle rear bumper cover; and,

FIG. 8 is a front elevational view of the vehicle rear bumper cover.

The vehicle rear bumper cover is styled independently of adjacent vehicle panels. To the extent that any feature lines are illustrated, they are intended to illustrate the crest and valley of the feature and are not necessarily sharp bends in the part. Shading is used to illustrate the curvature of the part and not color. Areas shown in or sounded by broken lines are not claimed. Any functional features of the vehicle rear bumper cover are not claimed. Views are orthogonal projections unless otherwise noted. The various views are not necessarily to scale in order to better illustrate the design.

**1 Claim, 7 Drawing Sheets**



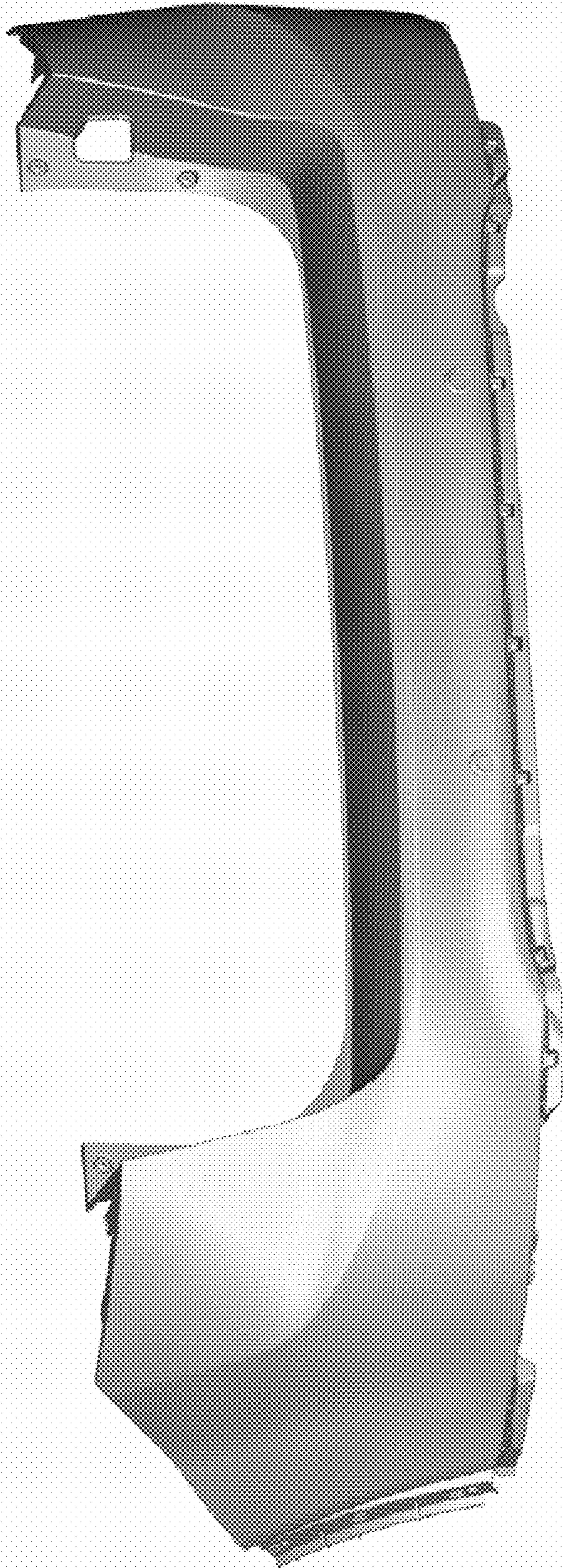


Fig 1

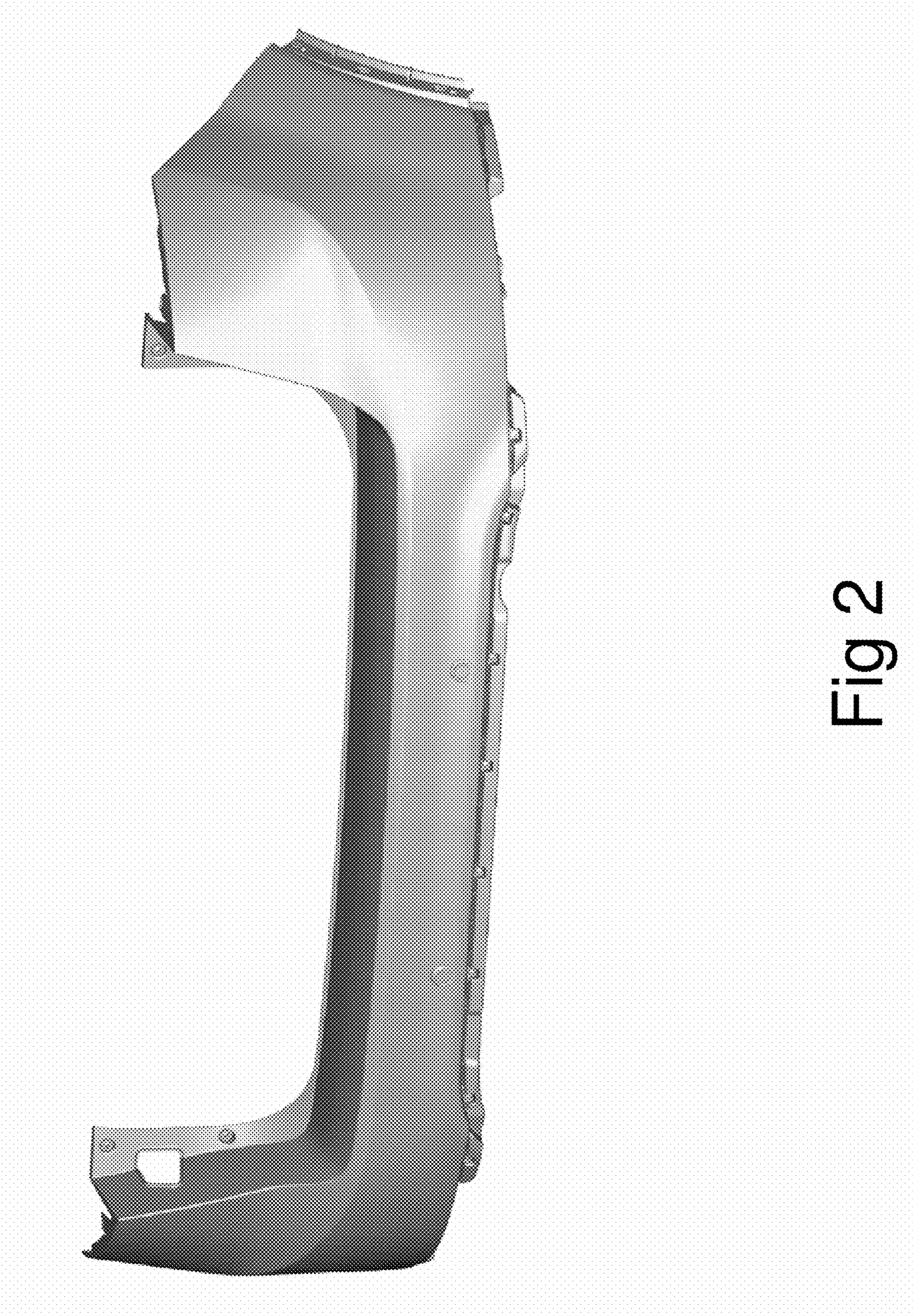


Fig 2

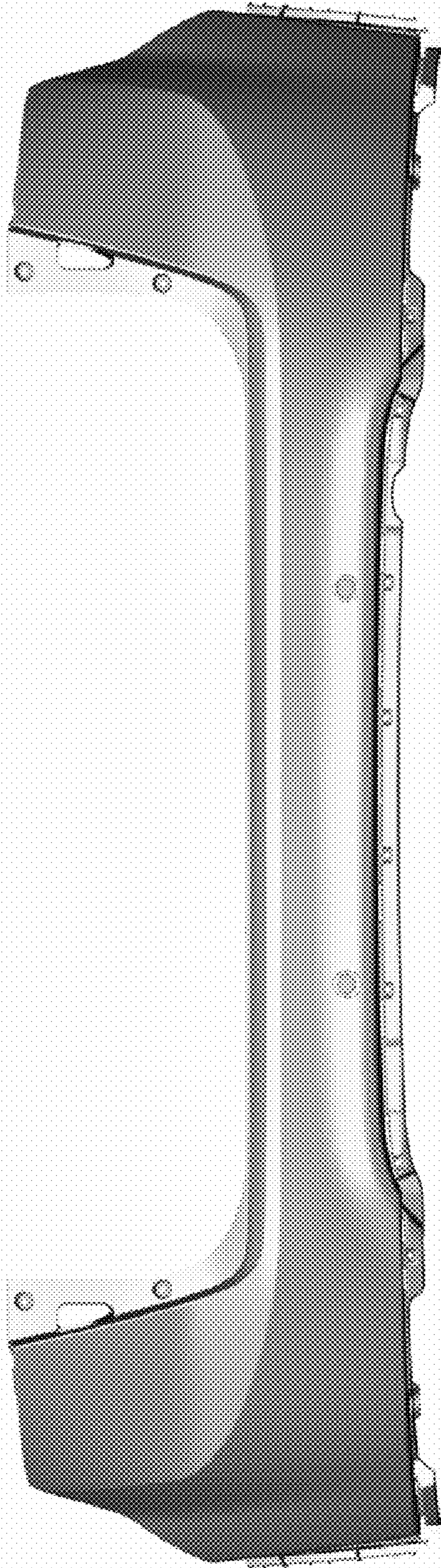


Fig 3

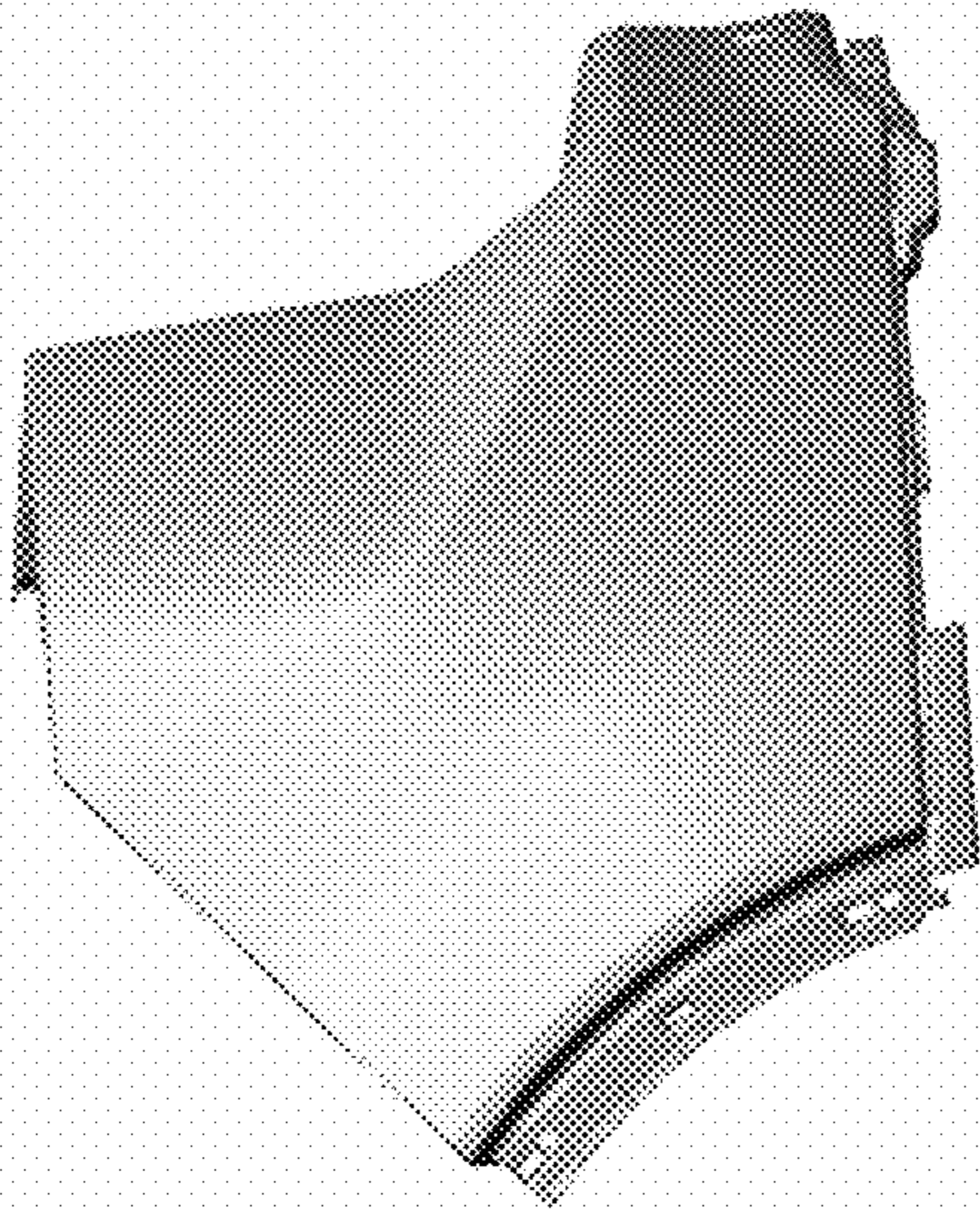


Fig 4

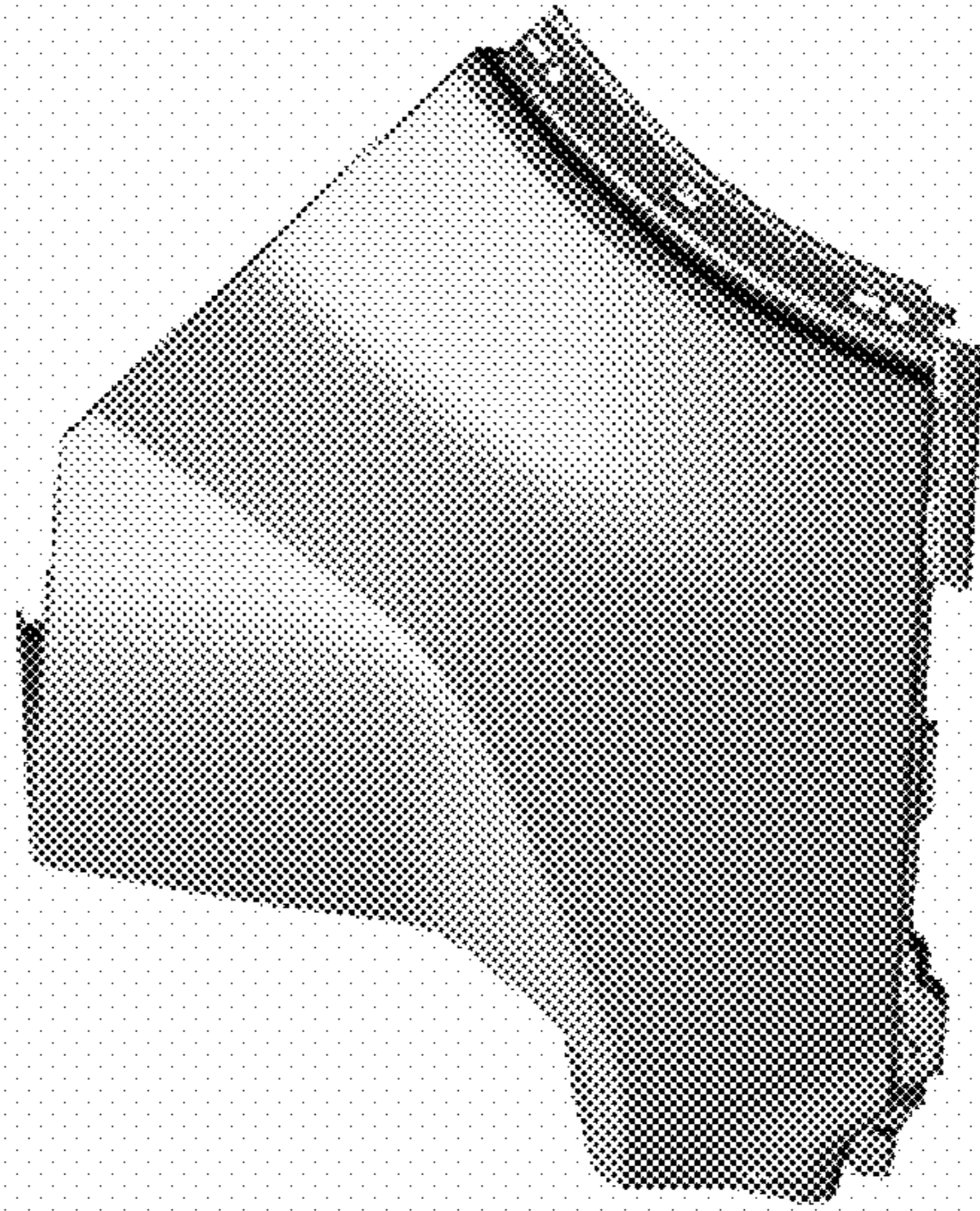


Fig 5

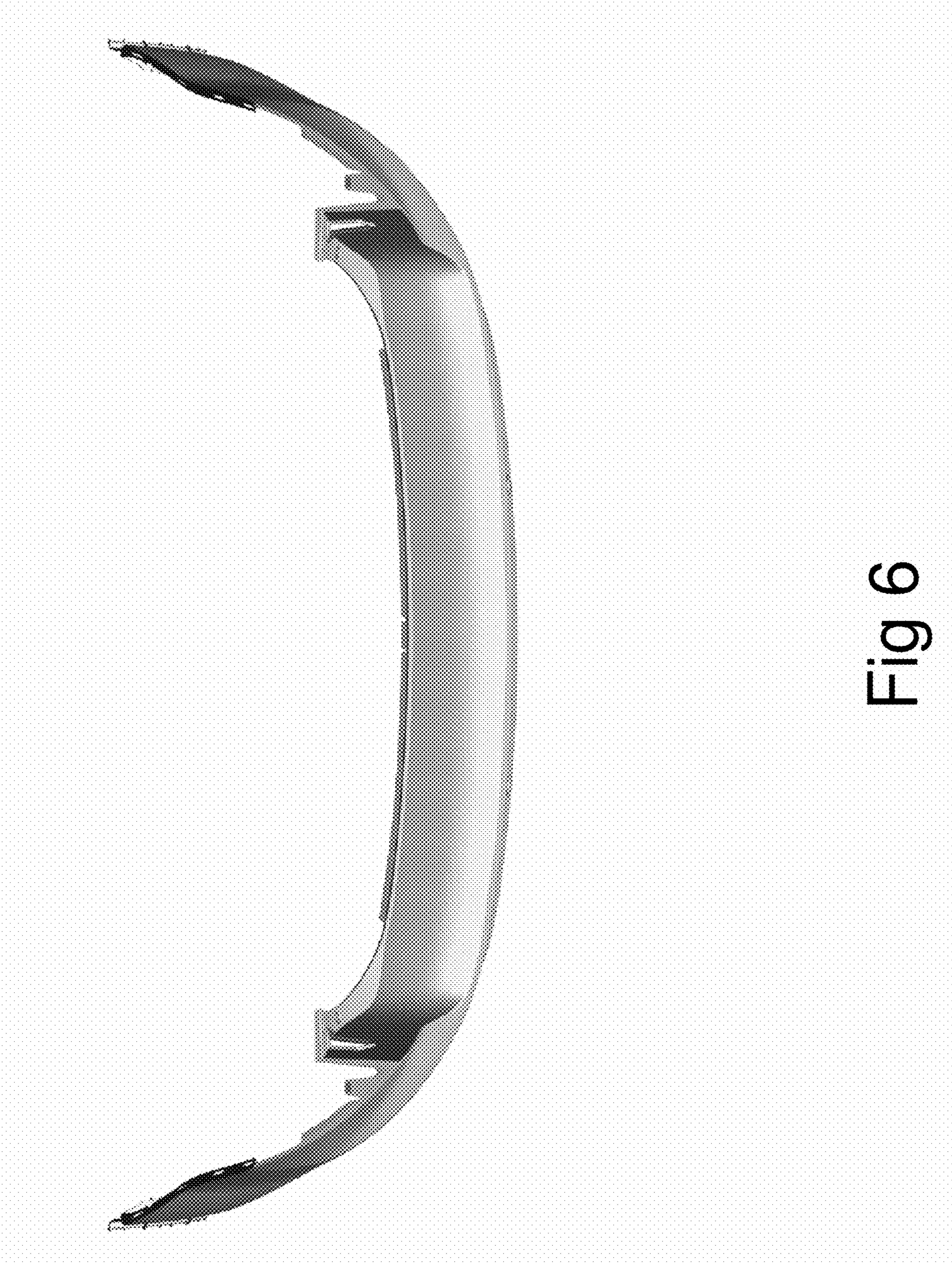


Fig 6

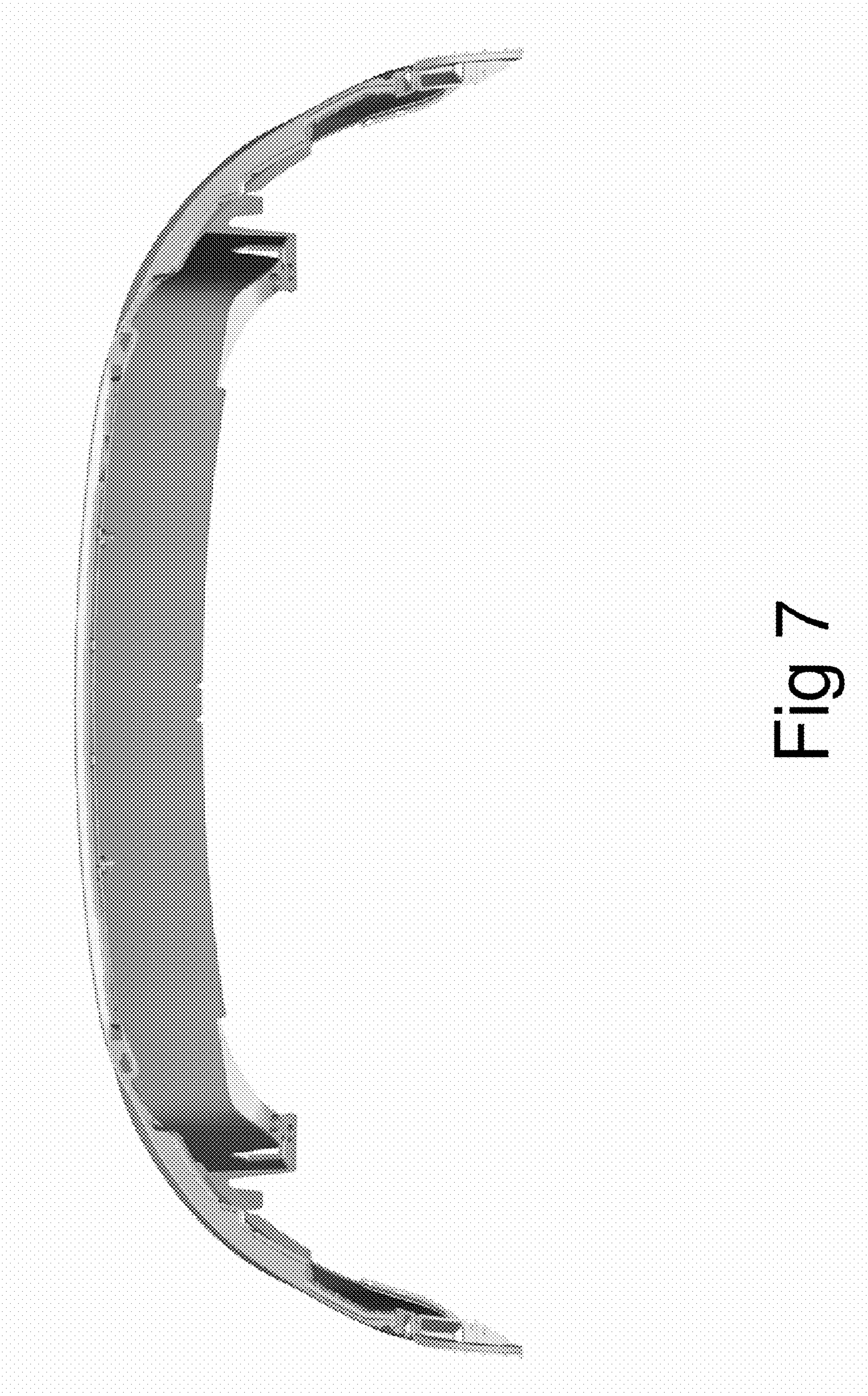


Fig 7

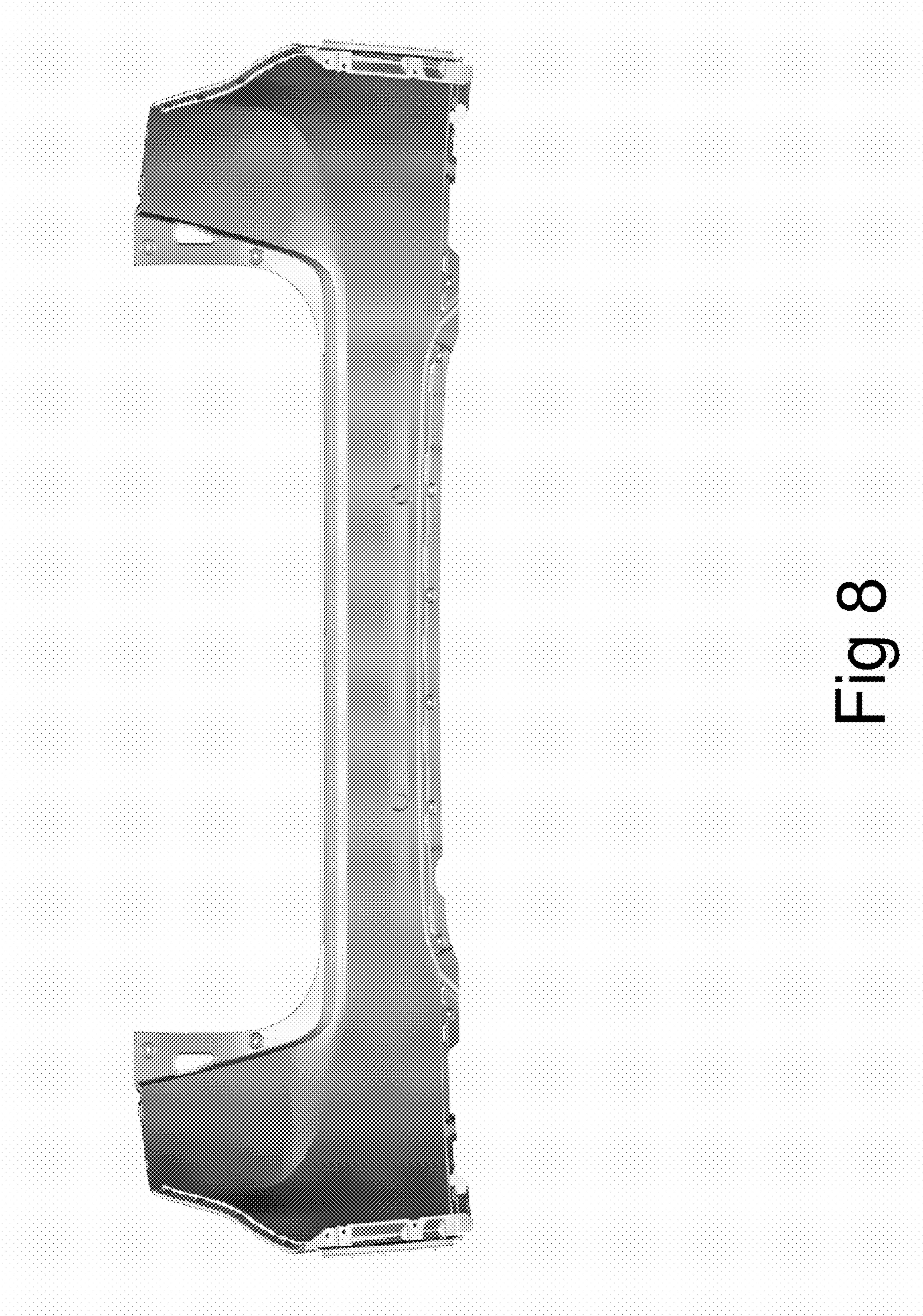


Fig 8