



US00D580315S

(12) **United States Design Patent**
Song et al.

(10) **Patent No.:** **US D580,315 S**

(45) **Date of Patent:** **** Nov. 11, 2008**

(54) **VEHICLE FRONT BUMPER COVER**

(75) Inventors: **Solomon H Song**, Farmington Hills, MI (US); **Darrell Paul Behmer**, Novi, MI (US); **Moray Stuart Callum**, Ann Arbor, MI (US)

(73) Assignee: **Ford Motor Company**, Dearborn, MI (US)

(**) Term: **14 Years**

(21) Appl. No.: **29/295,953**

(22) Filed: **Oct. 11, 2007**

(51) **LOC (8) Cl.** **12-16**

(52) **U.S. Cl.** **D12/169**

(58) **Field of Classification Search** D12/169, D12/196, 171, 163, 216, 90-92, 86; 293/102, 293/113, 115, 117, 120; 296/180.1, 180.2
See application file for complete search history.

(56) **References Cited**

U.S. PATENT DOCUMENTS

- D516,972 S * 3/2006 Baum D12/169
- D539,710 S * 4/2007 Kouyama D12/169
- D544,413 S 6/2007 Golden
- D546,251 S * 7/2007 Hamano D12/169
- D561,661 S * 2/2008 Platto et al. D12/169
- D567,158 S * 4/2008 Ishibashi et al. D12/169

OTHER PUBLICATIONS

- Detroit Auto Show: A conversation with Peter Horbury, Detroit 2007, <http://www.autoblog.com> (18 pages).
- Lincoln Concept MKR, Detroit 2007 (4 pages).
- Popular Mechanics, Lincoln MKS, Town Car Successor, May 21, 2007 <http://www.popularmechanics.com> (1 page).
- Winding Road, Spied: Lincoln MKS Sedan, Apr. 18, 2007 <http://newswindingroad.com> (2 pages).

Lincoln Concept Zephyr, Detroit 2005 (4 pages).
Lincoln Concept MKS, Detroit 2006 (4 pages).
Lincoln MKZ AWD (P) 4dr Sedan, New York 2007 (4 pages).

* cited by examiner

Primary Examiner—Melody N Brown

(74) *Attorney, Agent, or Firm*—Damian Porcari

(57) **CLAIM**

The ornamental design for a vehicle front bumper cover, as shown and described.

DESCRIPTION

FIG. 1 is a front elevational view of a vehicle front bumper cover;

FIG. 2 is an enlarged left side elevational view of the vehicle front bumper cover;

FIG. 3 is an enlarged right side elevational view of the vehicle front bumper cover;

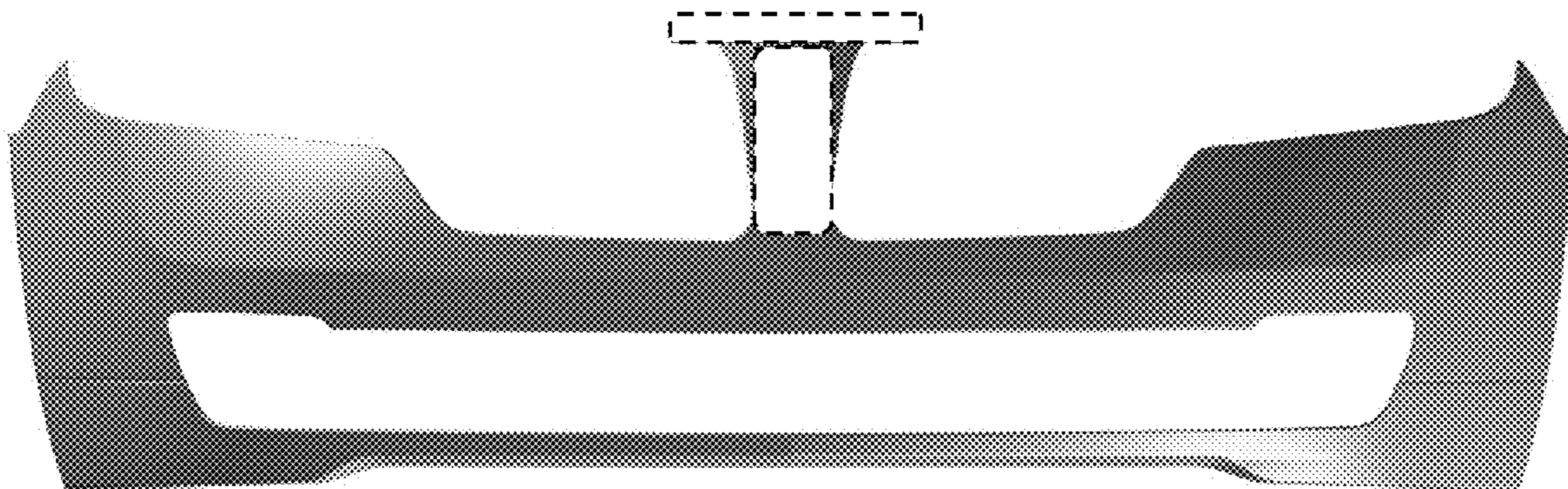
FIG. 4 is a top plan view of the vehicle front bumper cover;

FIG. 5 is a bottom plan view of the vehicle front bumper cover; and,

FIG. 6 is a rear elevational view of the vehicle front bumper cover.

The vehicle front bumper cover is styled independently of adjacent vehicle panels. To the extent that any feature lines are illustrated, they are intended to illustrate the crest and valley of the feature and are not necessarily sharp bends in the part. Shading is used to illustrate the curvature of the part and not color. Areas shown in or sounded by broken lines are not claimed. Any functional features of the vehicle front bumper cover are not claimed. Views are orthogonal projections unless otherwise noted. The various views are not necessarily to scale in order to better illustrate the design.

1 Claim, 6 Drawing Sheets



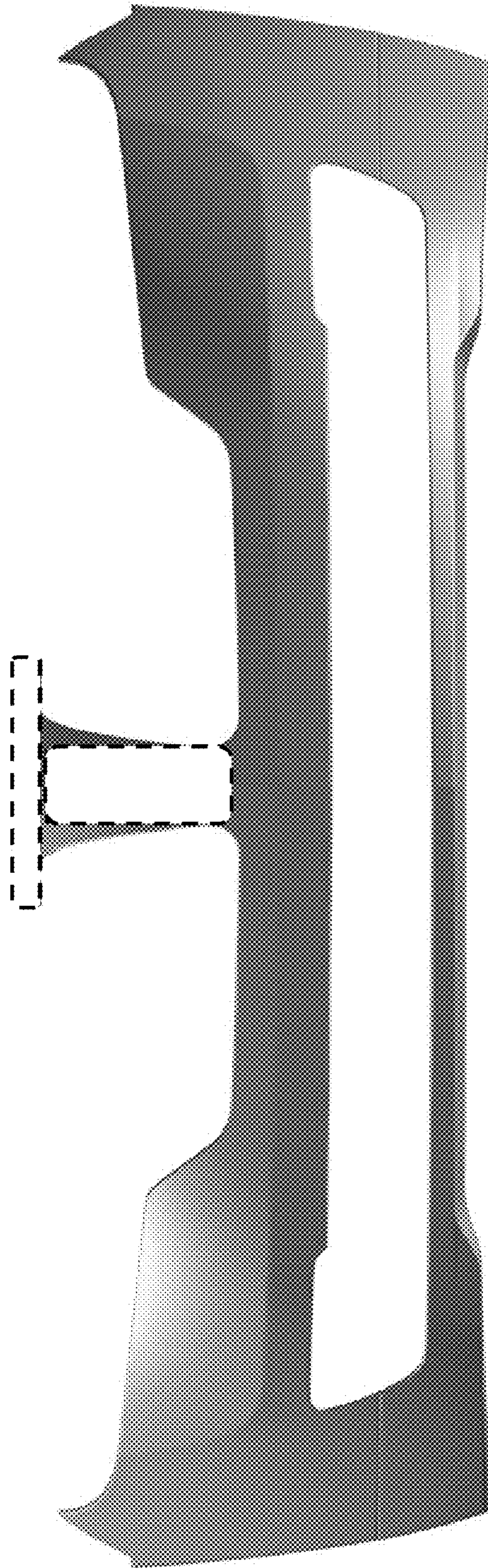


Figure 1

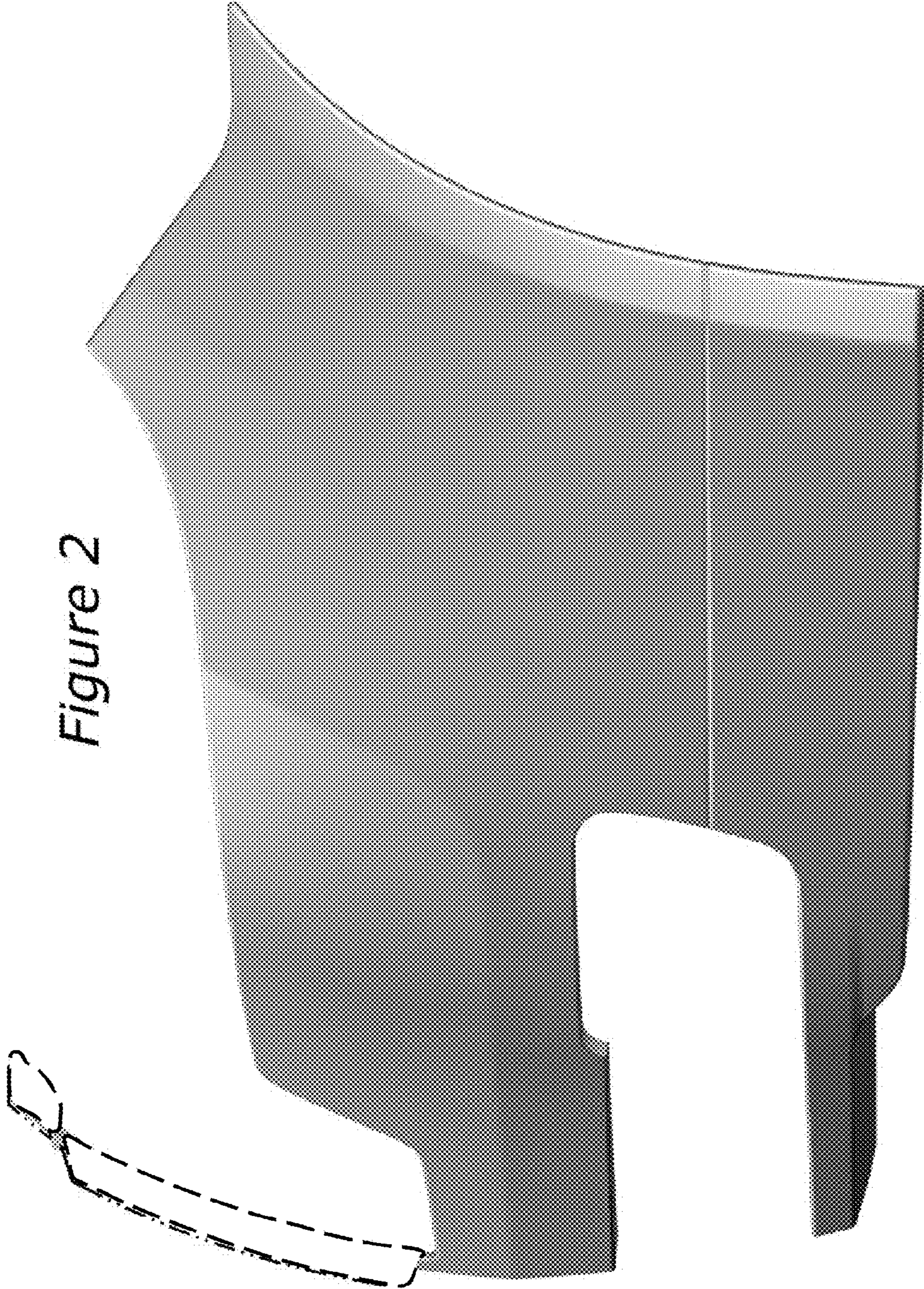


Figure 2

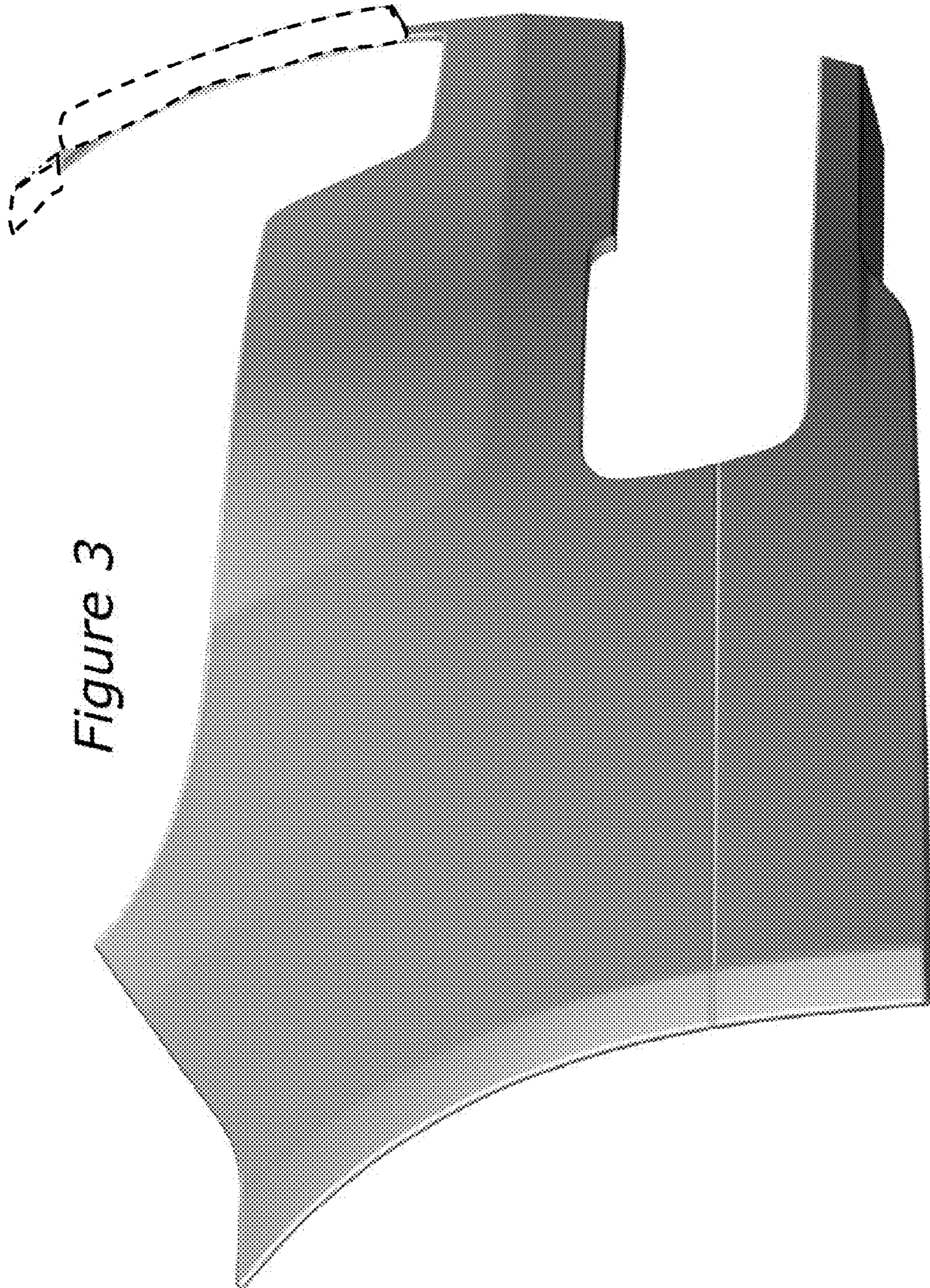


Figure 3

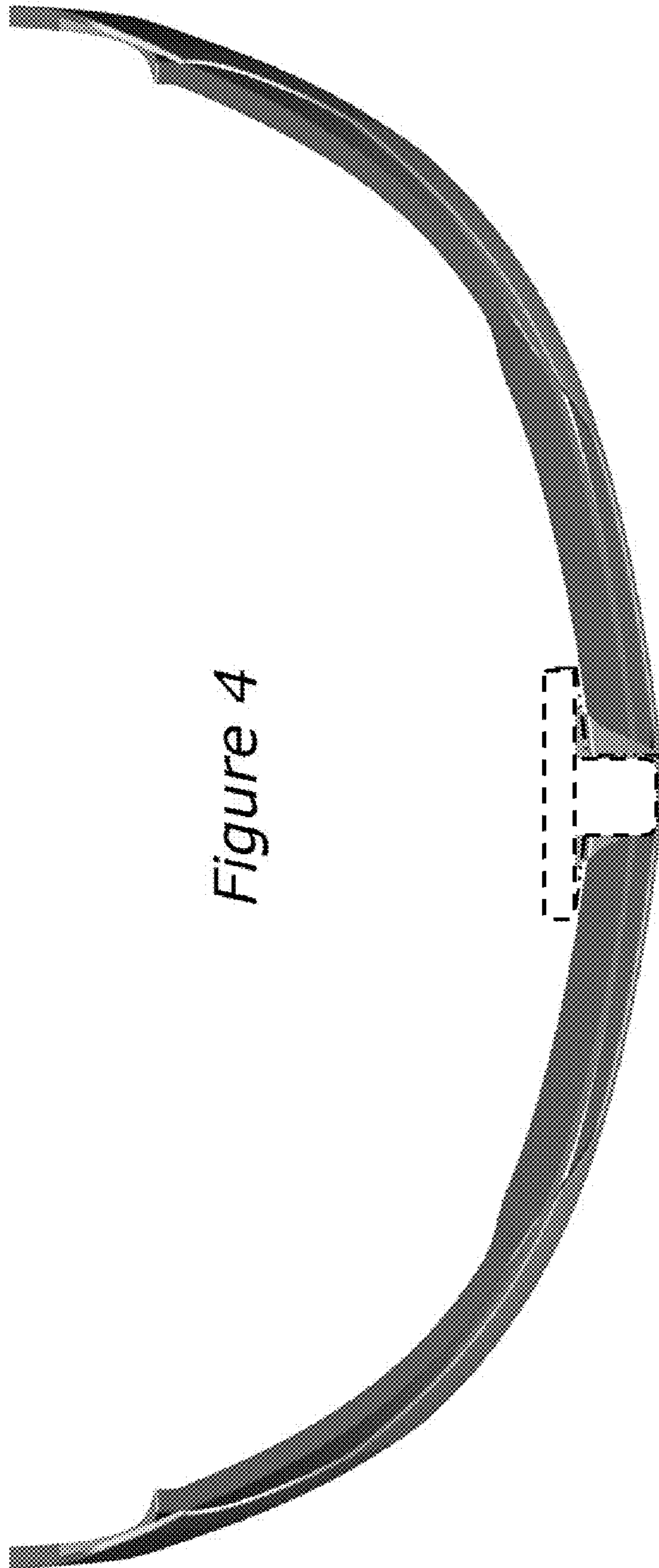


Figure 4

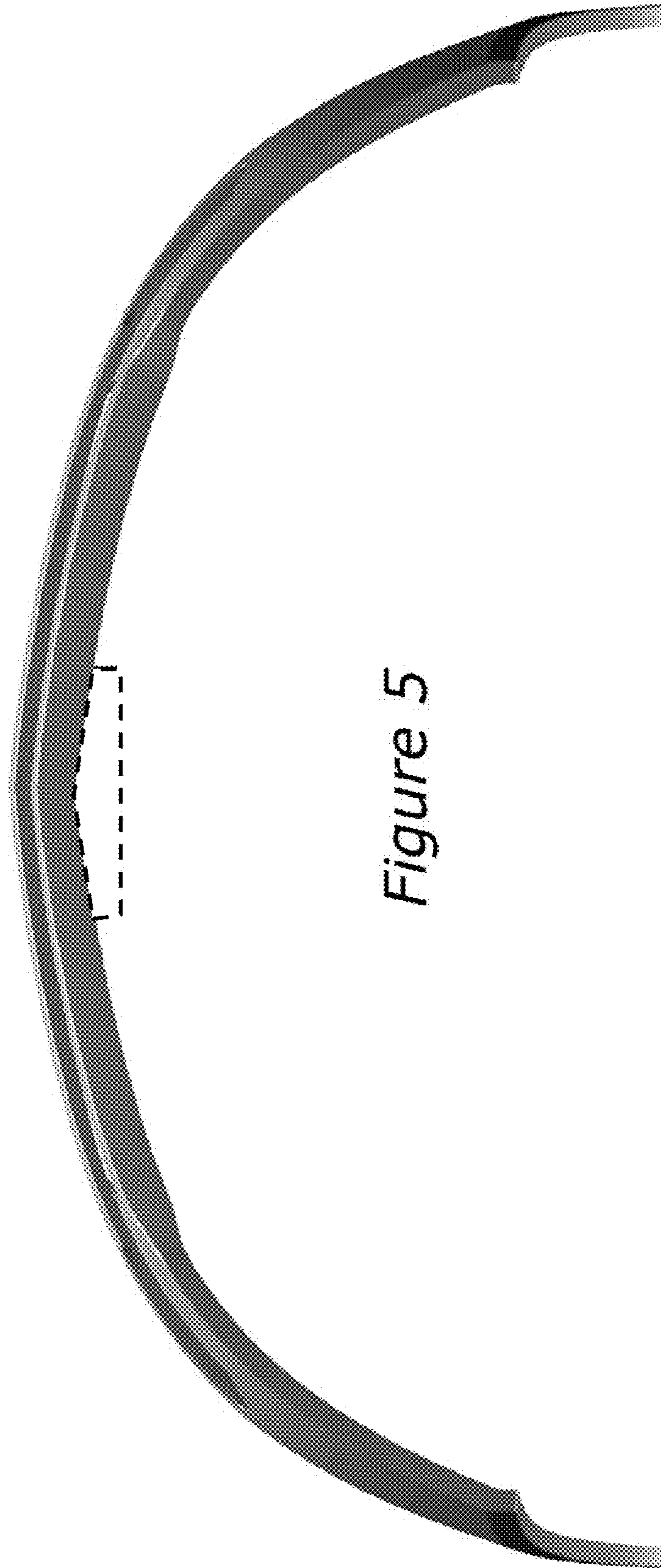


Figure 5

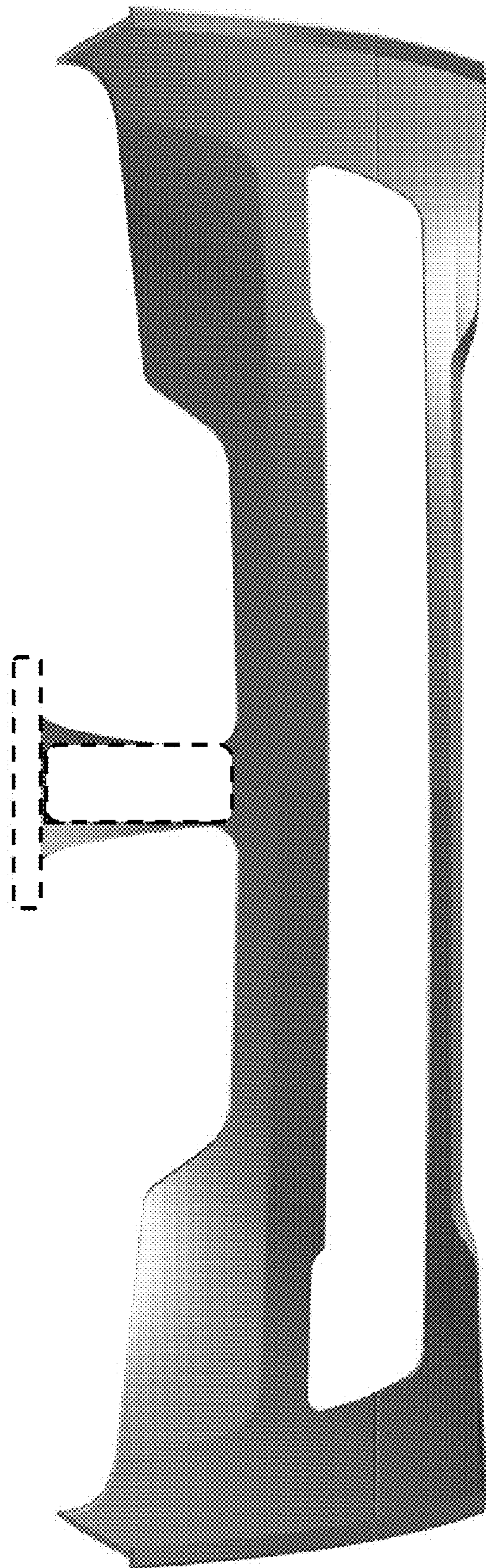


Figure 6