



US00D580312S

(12) **United States Design Patent**  
**Opfer et al.**

(10) **Patent No.:** **US D580,312 S**

(45) **Date of Patent:** **\*\* Nov. 11, 2008**

(54) **VEHICLE GRILLE**

D575,686 S \* 8/2008 Fukui et al. .... D12/163

(75) Inventors: **John G Opfer**, Rochester, MI (US);  
**Mark Surel**, Ferndale, MI (US); **Dennis Myles**, West Bloomfield, MI (US)

\* cited by examiner

*Primary Examiner*—Melody N Brown  
(74) *Attorney, Agent, or Firm*—Ralph E. Smith

(73) Assignee: **Chrysler LLC**, Auburn Hills, MI (US)

(57) **CLAIM**

(\*\*) Term: **14 Years**

The ornamental design for a vehicle grille, as shown and described.

(21) Appl. No.: **29/303,120**

(22) Filed: **Feb. 1, 2008**

**DESCRIPTION**

(51) **LOC (8) Cl.** ..... **12-16**

FIG. 1 is a front perspective view of a vehicle grille showing our new design;

(52) **U.S. Cl.** ..... **D12/163**

FIG. 2 is a rear perspective view thereof;

(58) **Field of Classification Search** ..... D12/163,  
D12/171, 196, 216, 90-92, 86; 180/68.1,  
180/68.6; 296/193.11

FIG. 3 is a front view thereof;

See application file for complete search history.

FIG. 4 is a rear view thereof;

(56) **References Cited**

FIG. 5 is a top plan view thereof;

**U.S. PATENT DOCUMENTS**

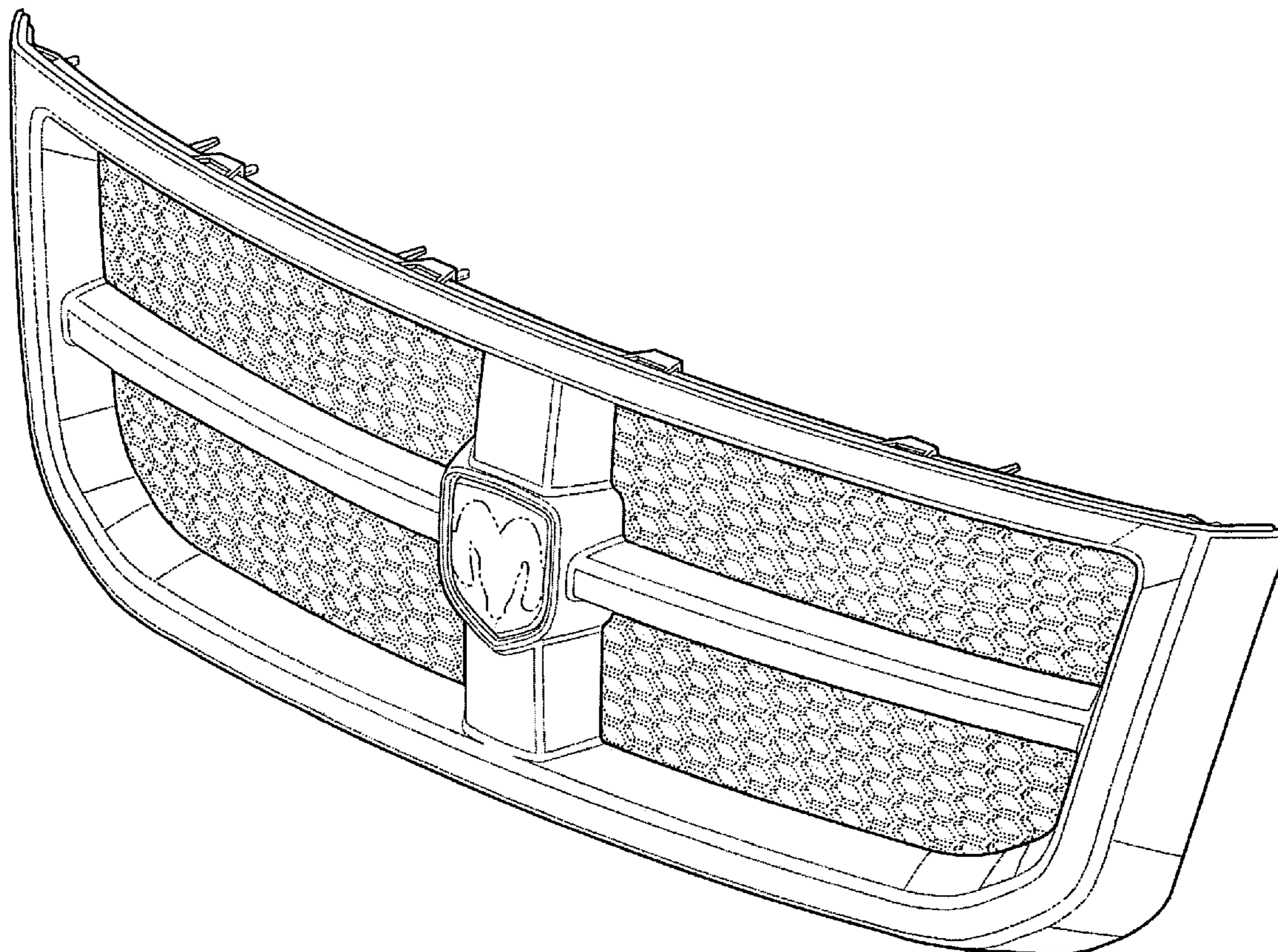
FIG. 6 is a bottom plan view thereof; and,

D494,514 S *	8/2004	Pfeiffer	.....	D12/163
D494,897 S *	8/2004	Pfeiffer	.....	D12/163
D516,956 S *	3/2006	Bucci et al.	.....	D12/91
D522,917 S *	6/2006	Wagner et al.	.....	D12/91
D526,935 S *	8/2006	Wagner et al.	.....	D12/91
D567,154 S *	4/2008	Cunningham	.....	D12/163

FIG. 7 is a right side view; the opposite side being a mirror image thereof.

It will be understood that the broken lines presented in the drawings are for illustration only, and do not form a part of the claimed design.

**1 Claim, 7 Drawing Sheets**





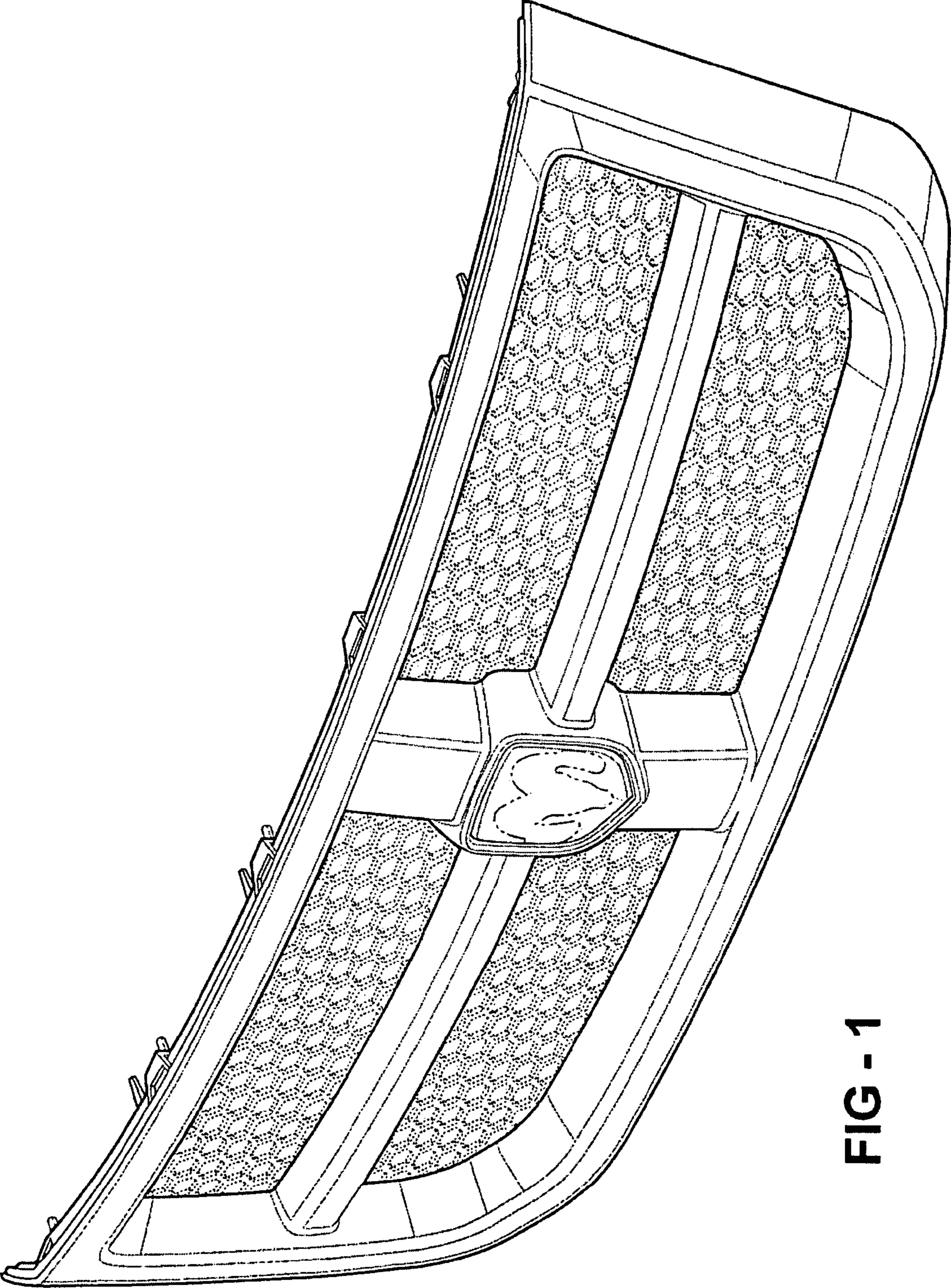


FIG - 1



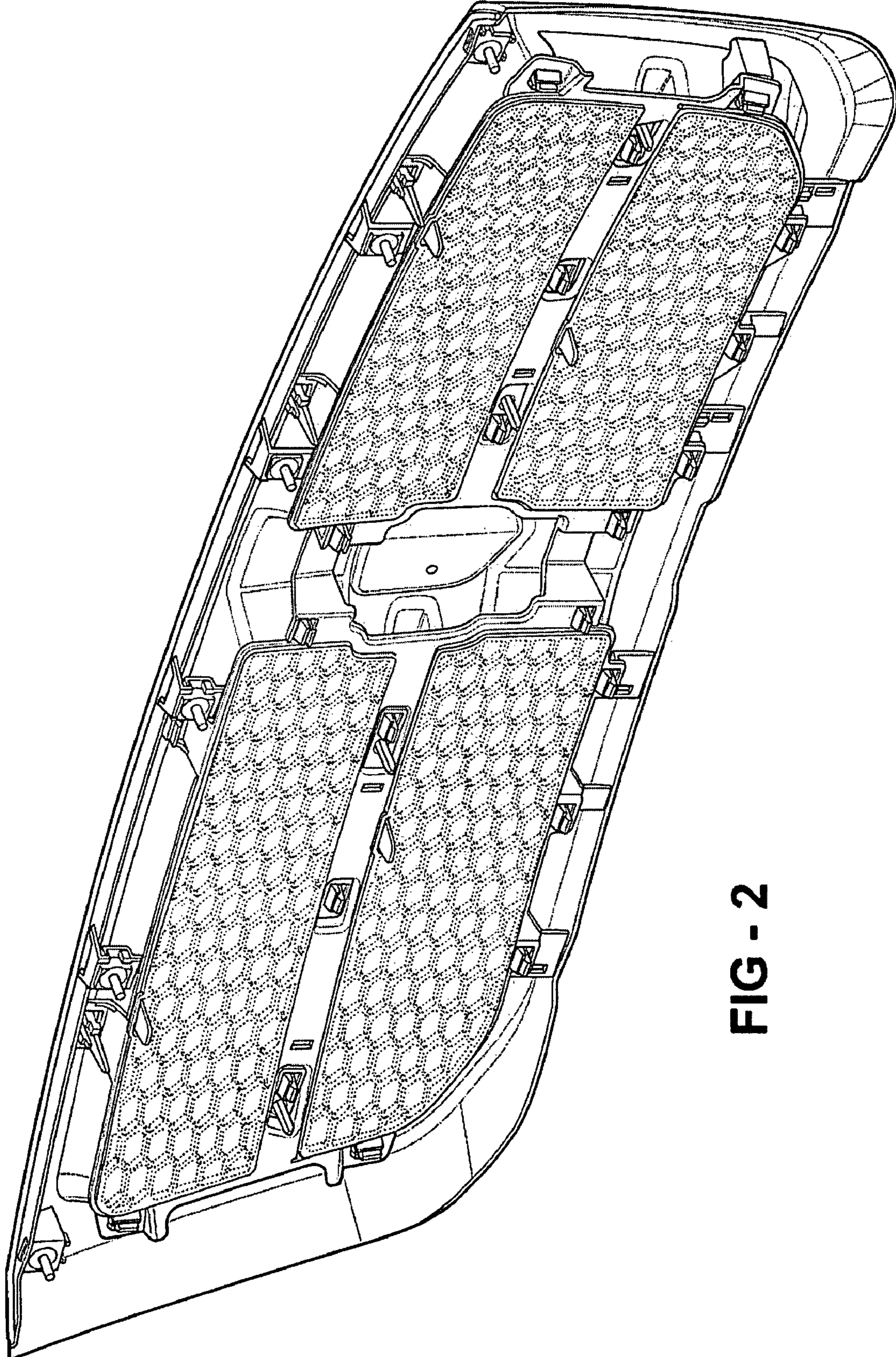


FIG - 2



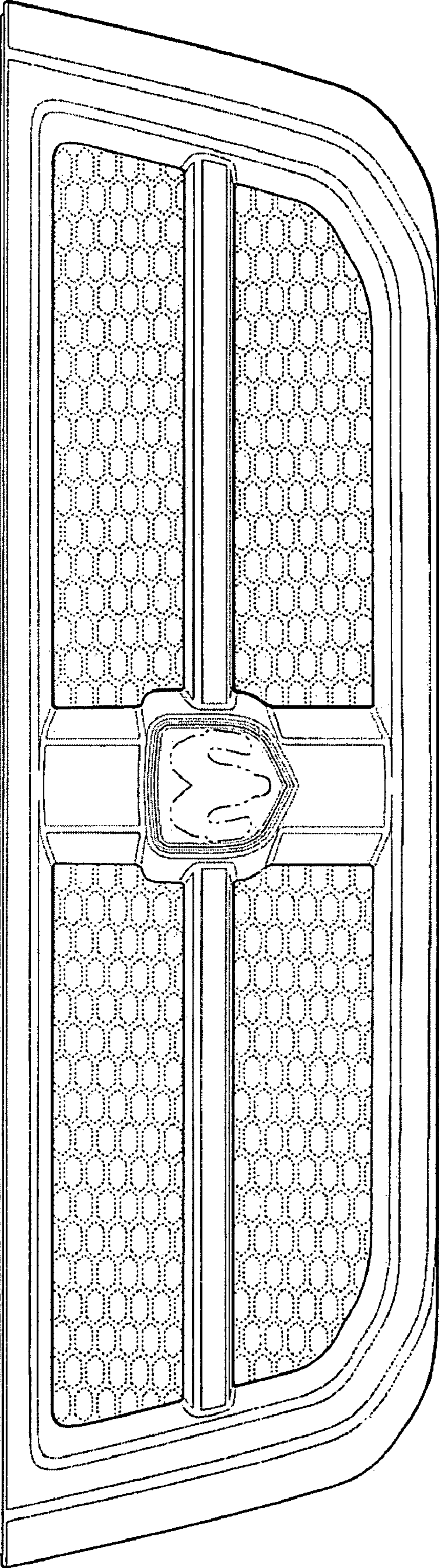


FIG - 3

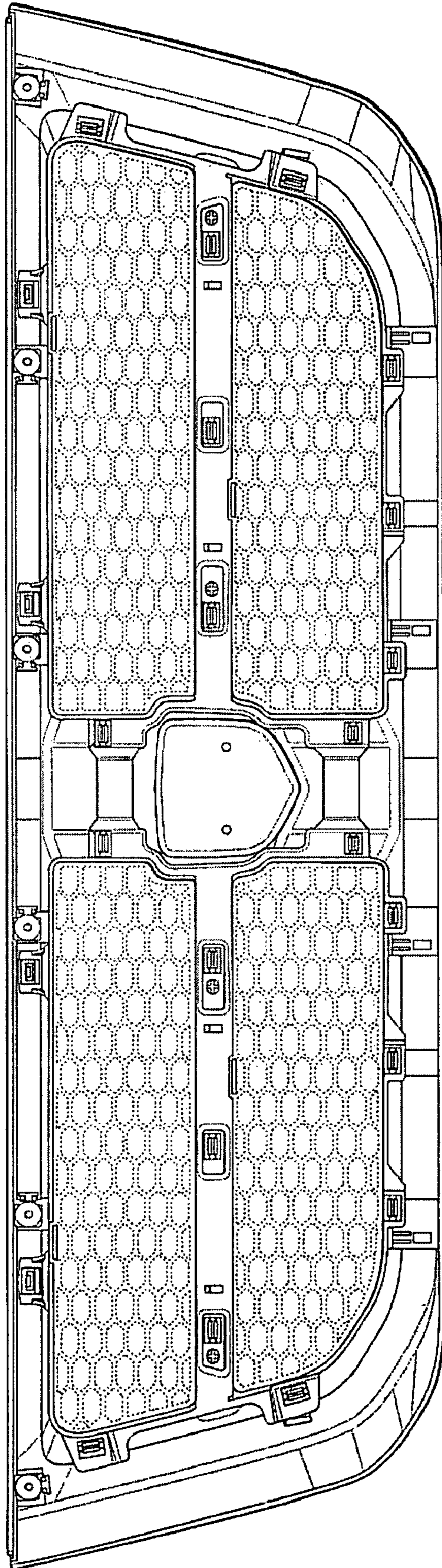


FIG - 4

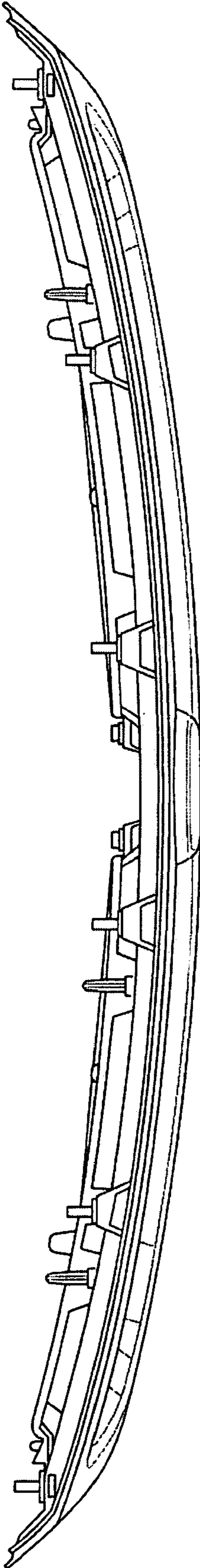


FIG - 5



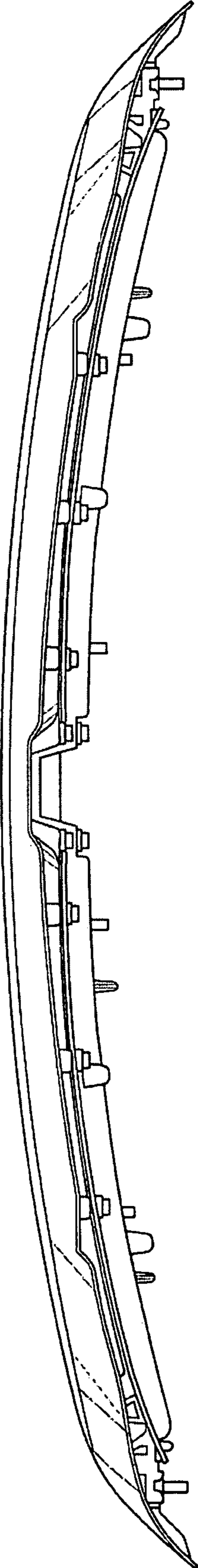


FIG - 6

FIG - 7

