



US00D580311S

(12) **United States Design Patent**
Gueler et al.

(10) **Patent No.:** **US D580,311 S**

(45) **Date of Patent:** **** Nov. 11, 2008**

(54) **VEHICLE GRILLE**

(75) Inventors: **Murat Gueler**, Köln (DE); **Stefan Lamm**, Köln (DE)

(73) Assignee: **Ford Global Technologies, LLC**, Dearborn, MI (US)

(**) Term: **14 Years**

(21) Appl. No.: **29/298,805**

(22) Filed: **Dec. 13, 2007**

(30) **Foreign Application Priority Data**

Aug. 14, 2007 (DE) 40704114

(51) **LOC (8) Cl.** **12-16**

(52) **U.S. Cl.** **D12/163**

(58) **Field of Classification Search** D12/163,
D12/171, 196, 216, 90-92, 86; 180/68.1,
180/68.6; 296/193.11

See application file for complete search history.

(56) **References Cited**

U.S. PATENT DOCUMENTS

D562,192 S * 2/2008 Kushima et al. D12/163
D571,962 S * 6/2008 Hayashi D12/163
D572,177 S * 7/2008 Nakamura et al. D12/163

* cited by examiner

Primary Examiner—Melody N Brown

(74) *Attorney, Agent, or Firm*—Damian Porcari

(57) **CLAIM**

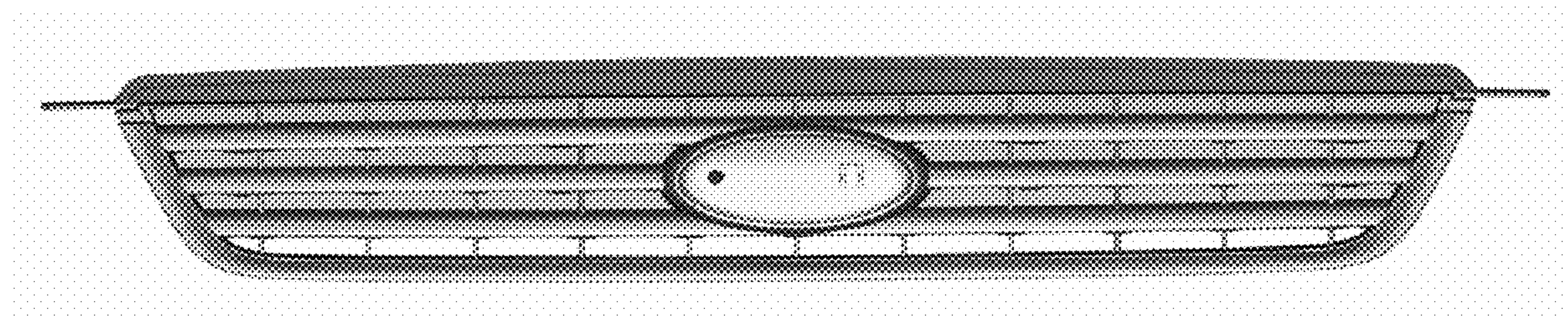
The ornamental design for a vehicle grille, as shown and described.

DESCRIPTION

FIG. 1 is a perspective view of a vehicle grille;
FIG. 2 is a front elevational view of the vehicle grille;
FIG. 3 is a rear elevational view of the vehicle grille;
FIG. 4 is a top plan view of the vehicle grille;
FIG. 5 is a bottom plan view of the vehicle grille;
FIG. 6 is a left side elevational view of the vehicle grille; and,
FIG. 7 is a right side elevational view of the vehicle grille.

The vehicle grille is styled independently of adjacent vehicle panels. To the extent that any feature lines are illustrated, they are intended to illustrate the crest and valley of the feature and are not necessarily sharp bends in the part. Shading is used to illustrate the curvature of the part and not color. Areas shown in or sounded by broken lines are not claimed. Any functional features of the vehicle grille are not claimed. Views are orthogonal projections unless otherwise noted. The various views are not necessarily to scale in order to better illustrate the design.

1 Claim, 4 Drawing Sheets



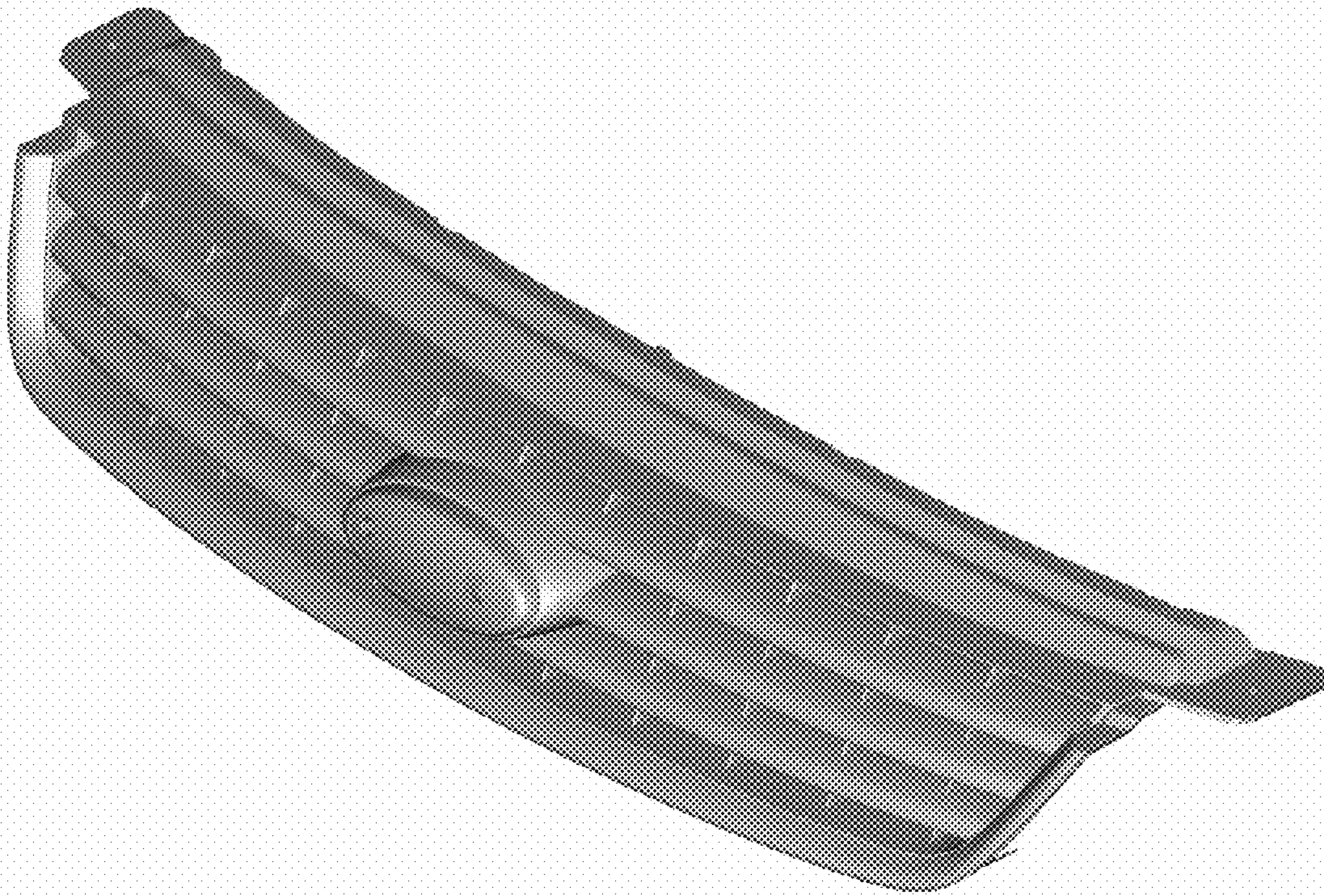


Fig 1

Fig 2

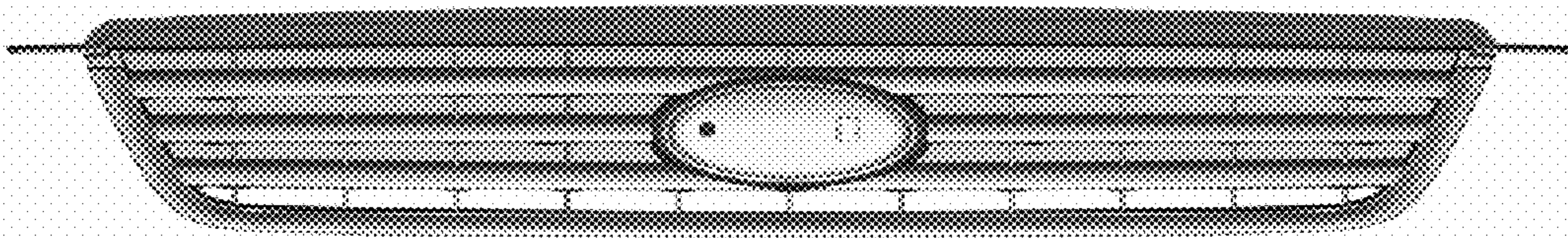


Fig 3

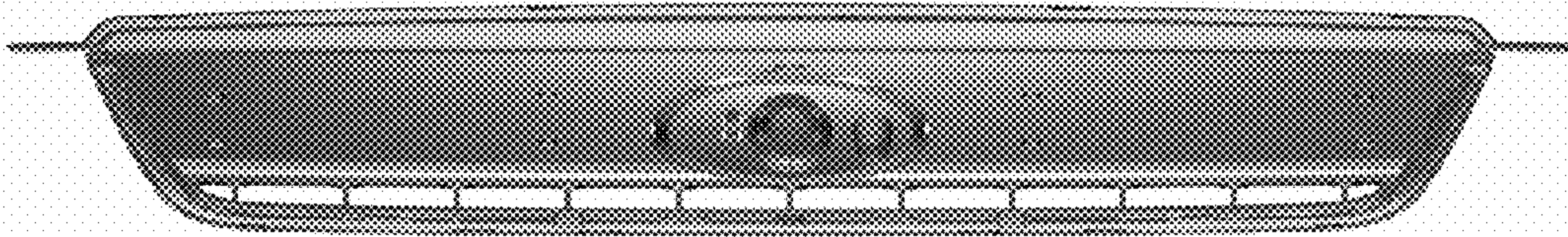


Fig 4

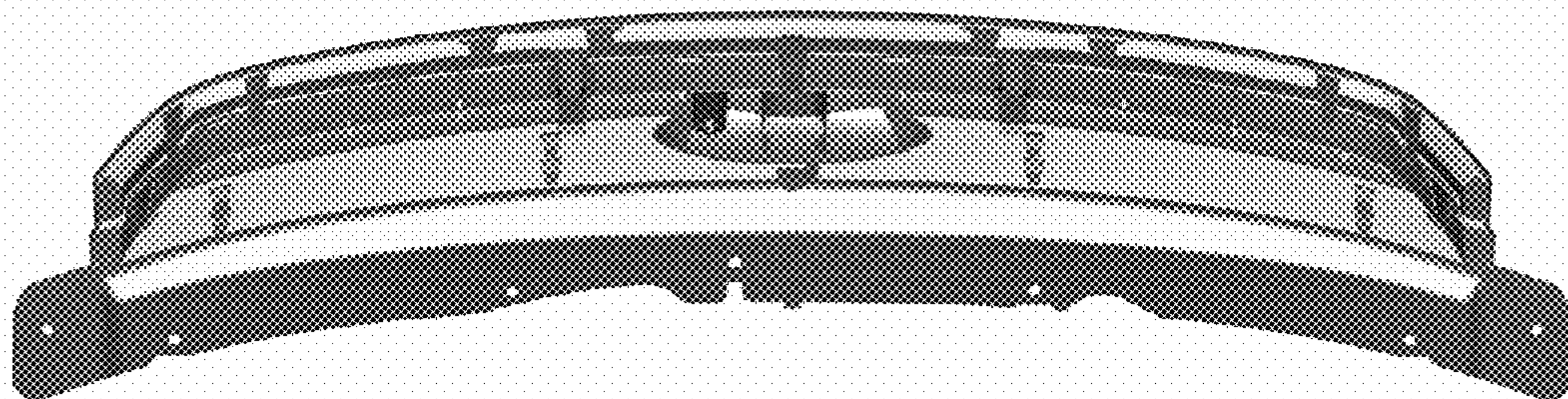
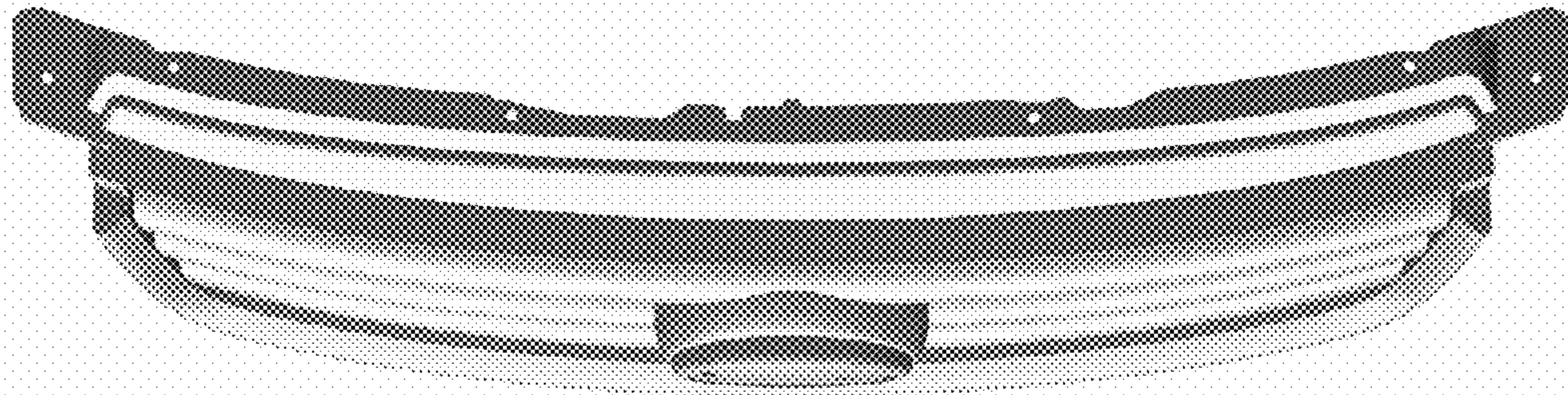


Fig 5

