



US00D580308S

(12) **United States Design Patent**
Ebel et al.

(10) **Patent No.:** **US D580,308 S**

(45) **Date of Patent:** **** Nov. 11, 2008**

(54) **VEHICLE UPPER GRILLE**

(75) Inventors: **Addam Ebel**, Dearborn, MI (US);
Solomon H. Song, Farmington Hills, MI
(US); **Darrell Paul Behmer**, Novi, MI
(US); **Moray Stuart Callum**, Ann
Arbor, MI (US)

(73) Assignee: **Ford Motor Company**, Dearborn, MI
(US)

(**) Term: **14 Years**

(21) Appl. No.: **29/295,775**

(22) Filed: **Oct. 5, 2007**

(51) **LOC (8) Cl.** **12-16**

(52) **U.S. Cl.** **D12/163**

(58) **Field of Classification Search** D12/163,
D12/171, 196, 216, 90-92, 86; 180/68.1,
180/68.6; 296/193.11

See application file for complete search history.

(56) **References Cited**

U.S. PATENT DOCUMENTS

D534,461 S *	1/2007	Mahoney et al.	D12/163
D536,284 S *	2/2007	Nakamura et al.	D12/163
D539,707 S *	4/2007	Golden et al.	D12/163
D558,102 S *	12/2007	Lau et al.	D12/163
D558,103 S *	12/2007	Bucher et al.	D12/163

OTHER PUBLICATIONS

Mercury, Milan Voga unveiled during Miami Fashion Week, Google
Image Result for [http://www.autoblog.com/media/2006/05/
milanvoga2500.jpg](http://www.autoblog.com/media/2006/05/milanvoga2500.jpg).

Mercury, Milan, GM Insider at [http://img72.imageshack.us/img72/
5994/mercurymilanseptember07c13.jpg](http://img72.imageshack.us/img72/5994/mercurymilanseptember07c13.jpg).

Mercury, Concept Meta One, Detroit 2005.
Mercury, Milan Premier V6, Detroit 2006.

* cited by examiner

Primary Examiner—Melody N Brown

(74) *Attorney, Agent, or Firm*—Damian Porcari

(57) **CLAIM**

The ornamental design for a vehicle upper grille, as shown
and described.

DESCRIPTION

FIG. 1 is a front elevational view of a left vehicle upper grille
showing our new design;

FIG. 2 is a left side elevational view of the vehicle upper
grille;

FIG. 3 is a right side elevational view of the vehicle upper
grille;

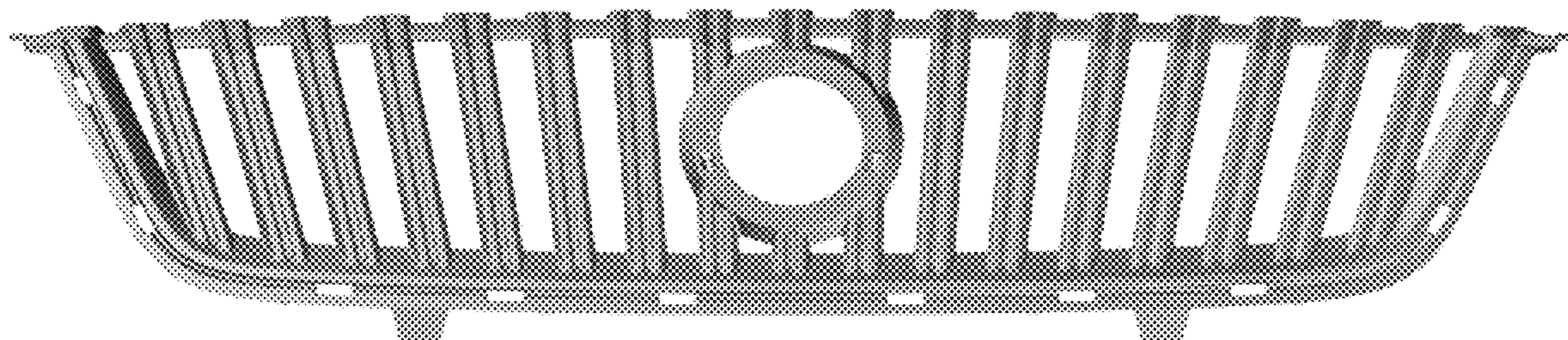
FIG. 4 is a top plan view of the vehicle upper grille;

FIG. 5 is a bottom plan view of the vehicle upper grille; and,

FIG. 6 is a rear elevational view of the vehicle upper grille.

The vehicle upper grille is styled independently of adjacent
vehicle panels. To the extent that any feature lines are illus-
trated, they are intended to illustrate the crest and valley of the
feature and are not necessarily sharp bends in the part. Shad-
ing is used to illustrate the curvature of the part and not color.
Areas shown in or sounded by broken lines are not claimed.
Any functional features of the vehicle upper grille not
claimed. Views are orthogonal projections unless otherwise
noted. The various views are not necessarily to scale in order
to better illustrate the design.

1 Claim, 6 Drawing Sheets



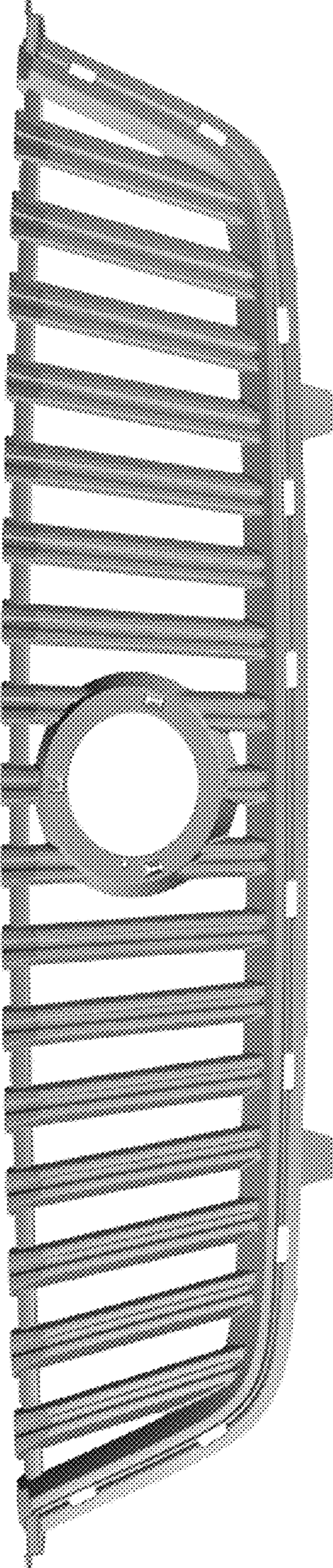


Figure 1

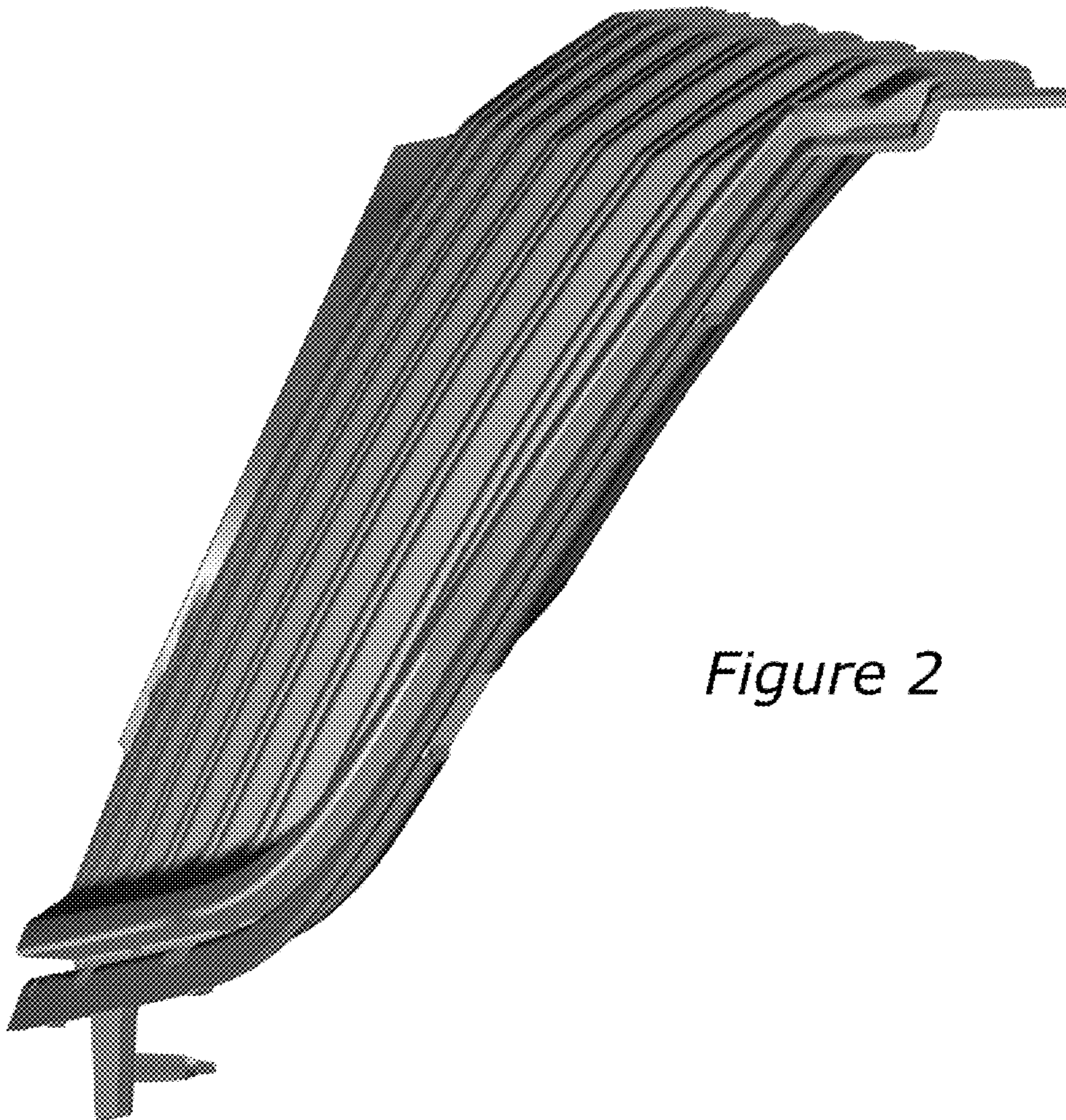


Figure 2

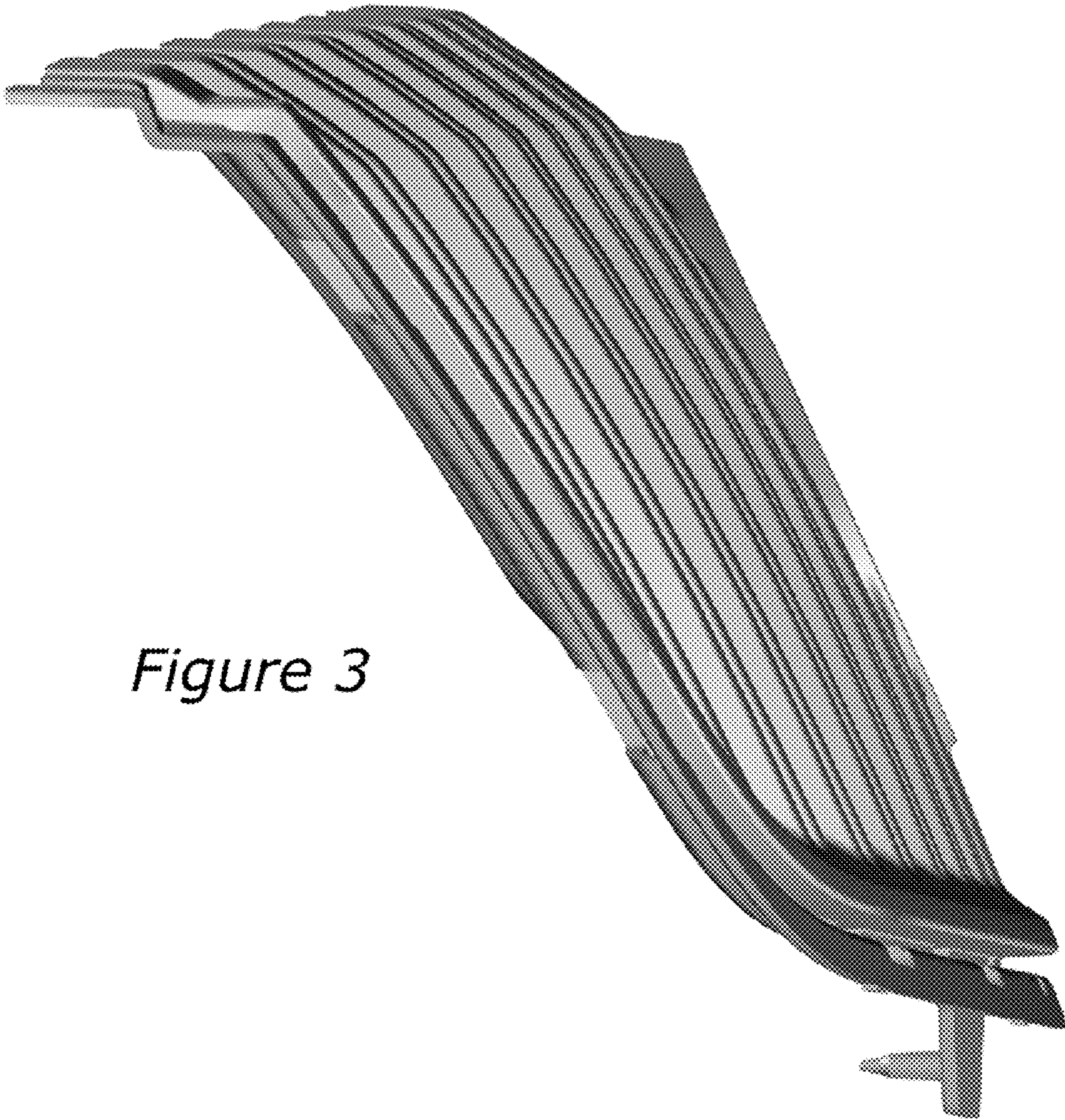


Figure 3

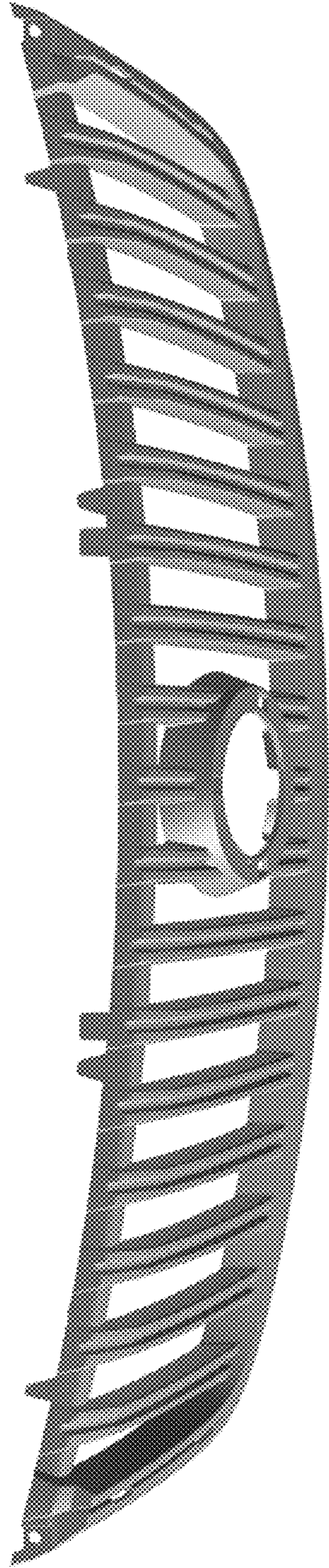


Figure 4

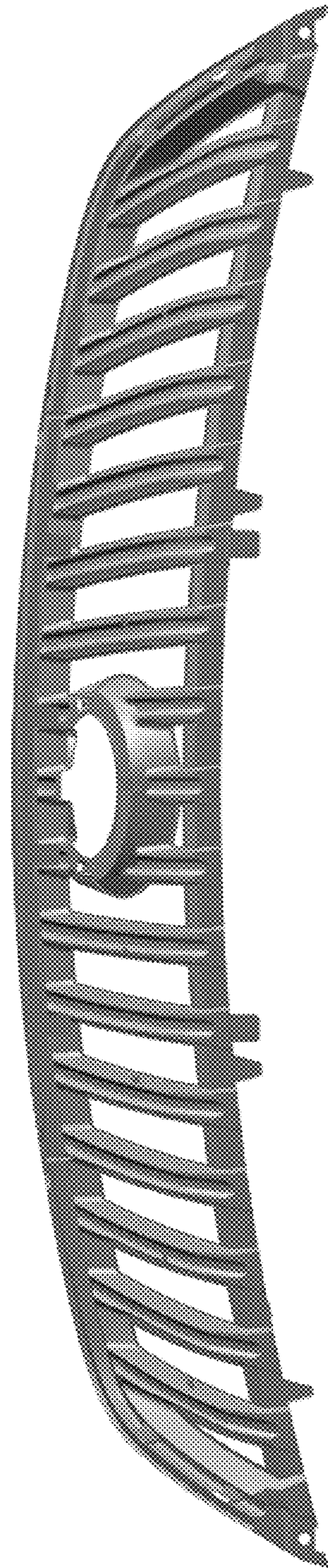


Figure 5

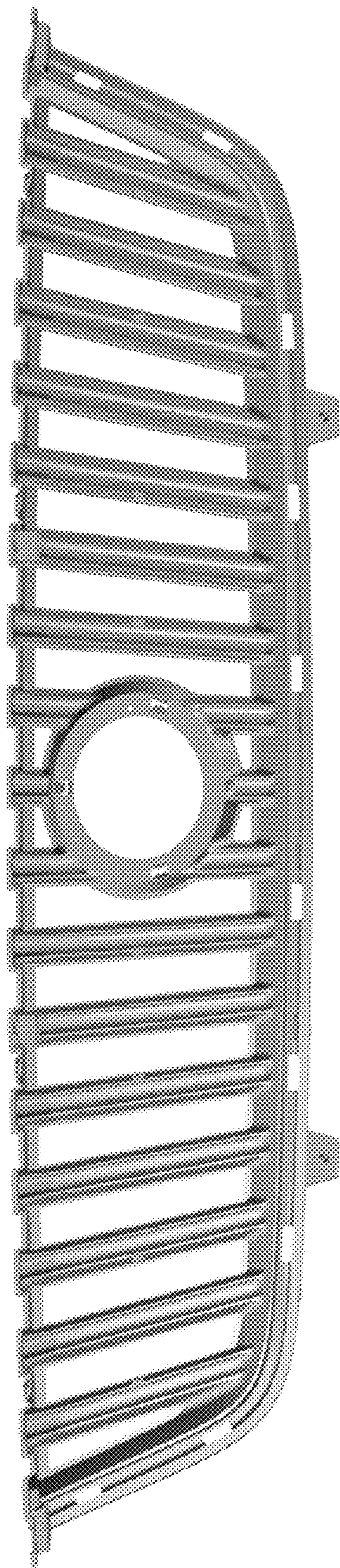


Figure 6