



US00D580306S

(12) **United States Design Patent**
Chen

(10) **Patent No.:** **US D580,306 S**

(45) **Date of Patent:** **** Nov. 11, 2008**

(54) **BABY CARRIAGE**

D558,099 S * 12/2007 Yang D12/129

(76) Inventor: **Ting-Yu Chen**, 8F., No. 316, Sec. 2,
Cinghai Rd., Situn District, Taichung
City 407 (TW)

* cited by examiner

Primary Examiner—Charles A. Rademaker

Assistant Examiner—Charles D Hanson

(74) *Attorney, Agent, or Firm*—Rosenberg, Klein & Lee

(**) Term: **14 Years**

(57) **CLAIM**

(21) Appl. No.: **29/290,102**

The ornamental design for a baby carriage, as shown and described.

(22) Filed: **Oct. 22, 2007**

(51) **LOC (8) Cl.** **12-12**

(52) **U.S. Cl.** **D12/129**

(58) **Field of Classification Search** D12/128–133;
280/37, 62, 647–650, 29, 200, 47.4, 47.38,
280/250.1, 259.642, 658, 644; 297/30, 130,
297/DIG. 4; 296/65.3, 65.4; 224/409

See application file for complete search history.

DESCRIPTION

FIG. 1 is a perspective view of a baby carriage showing me new design;

FIG. 2 is a front elevation view thereof;

FIG. 3 is a rear elevation view thereof;

FIG. 4 is a left elevation view thereof;

FIG. 5 is a right elevation view thereof;

FIG. 6 is a top plane view thereof;

FIG. 7 is a bottom plane view thereof; and,

FIG. 8 is another perspective view thereof.

(56) **References Cited**

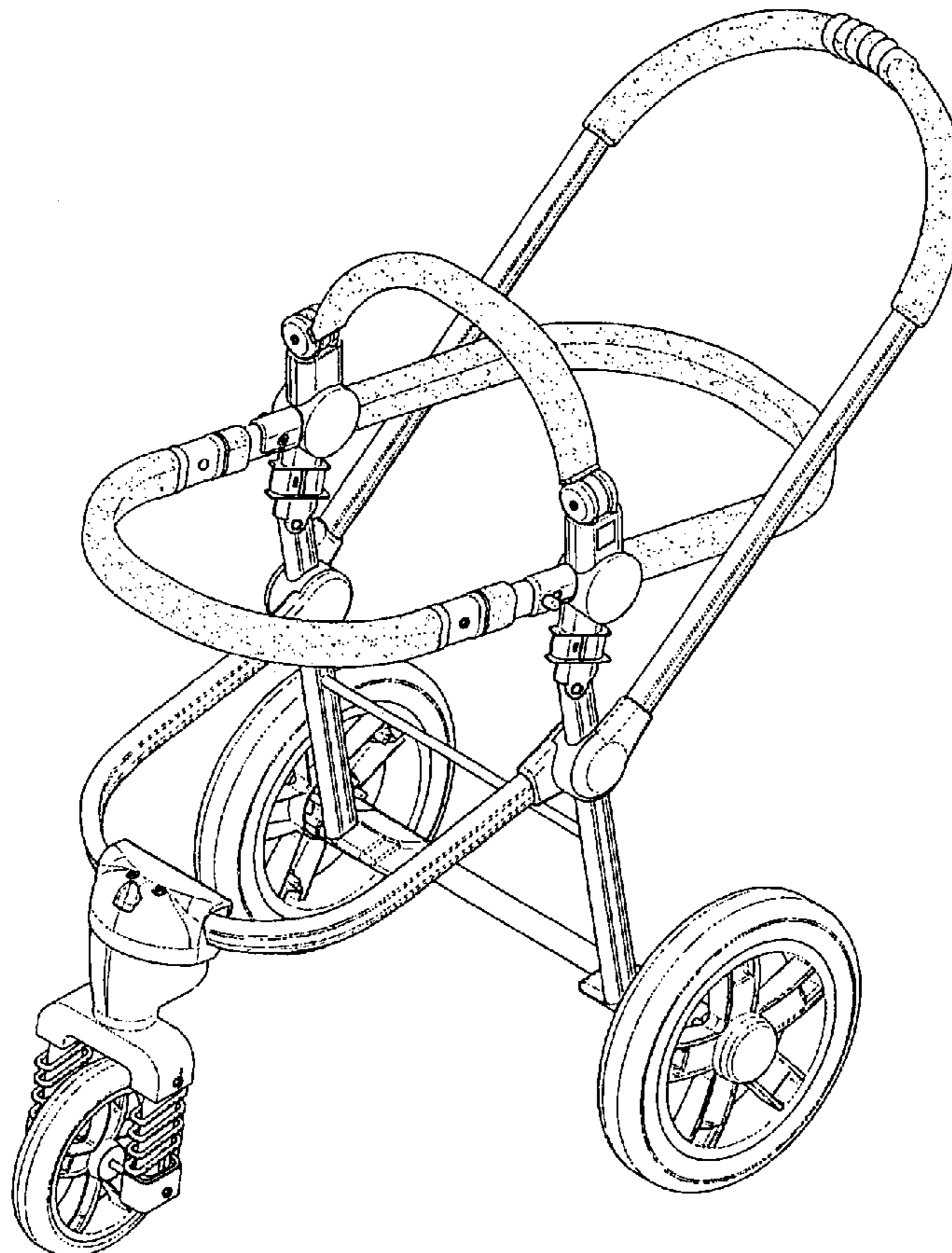
U.S. PATENT DOCUMENTS

6,513,827 B1 * 2/2003 Barenbrug 280/648

7,021,651 B2 * 4/2006 Lan 280/642

7,032,922 B1 * 4/2006 Lan 280/648

1 Claim, 8 Drawing Sheets



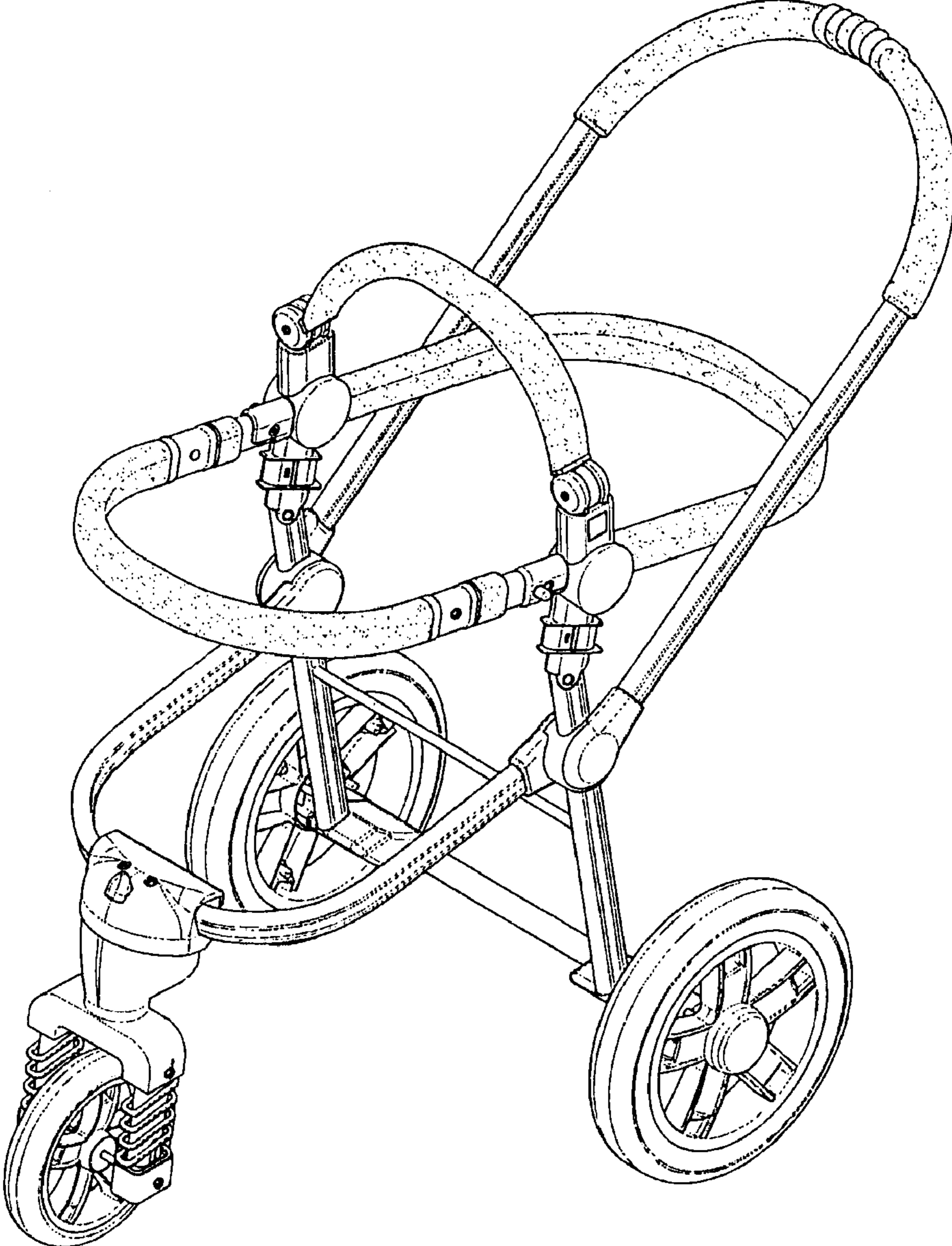


FIG. 1

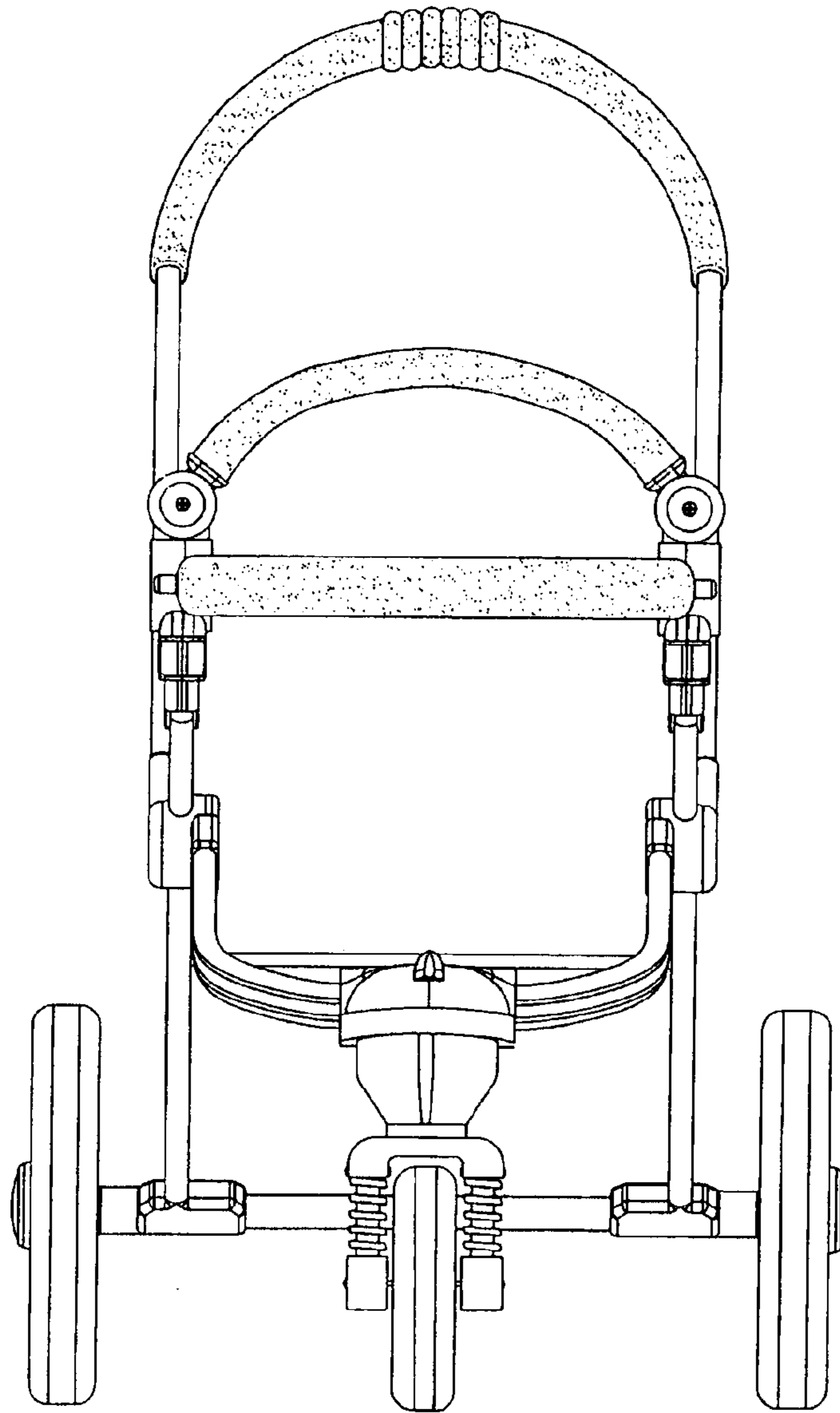


FIG. 2

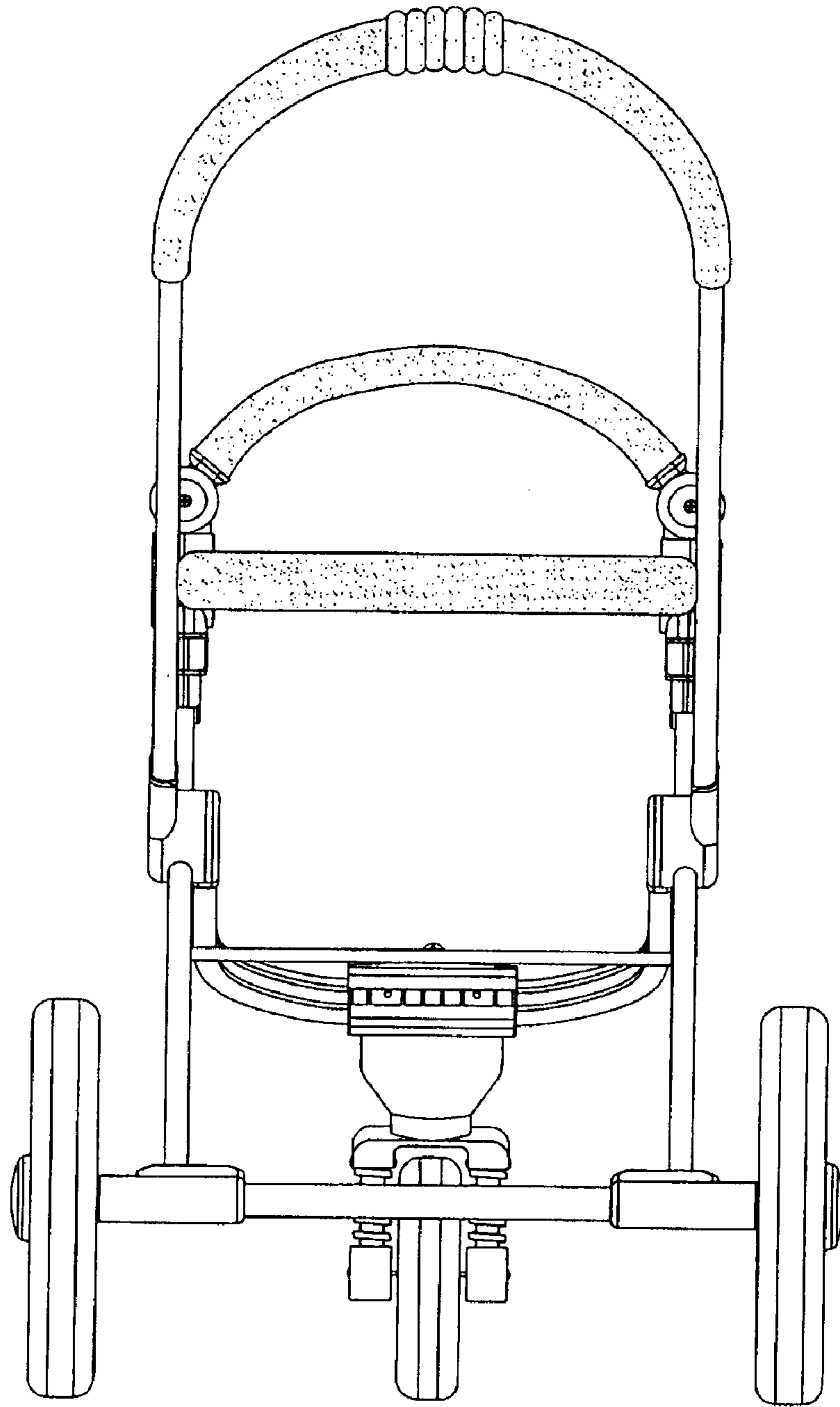


FIG. 3

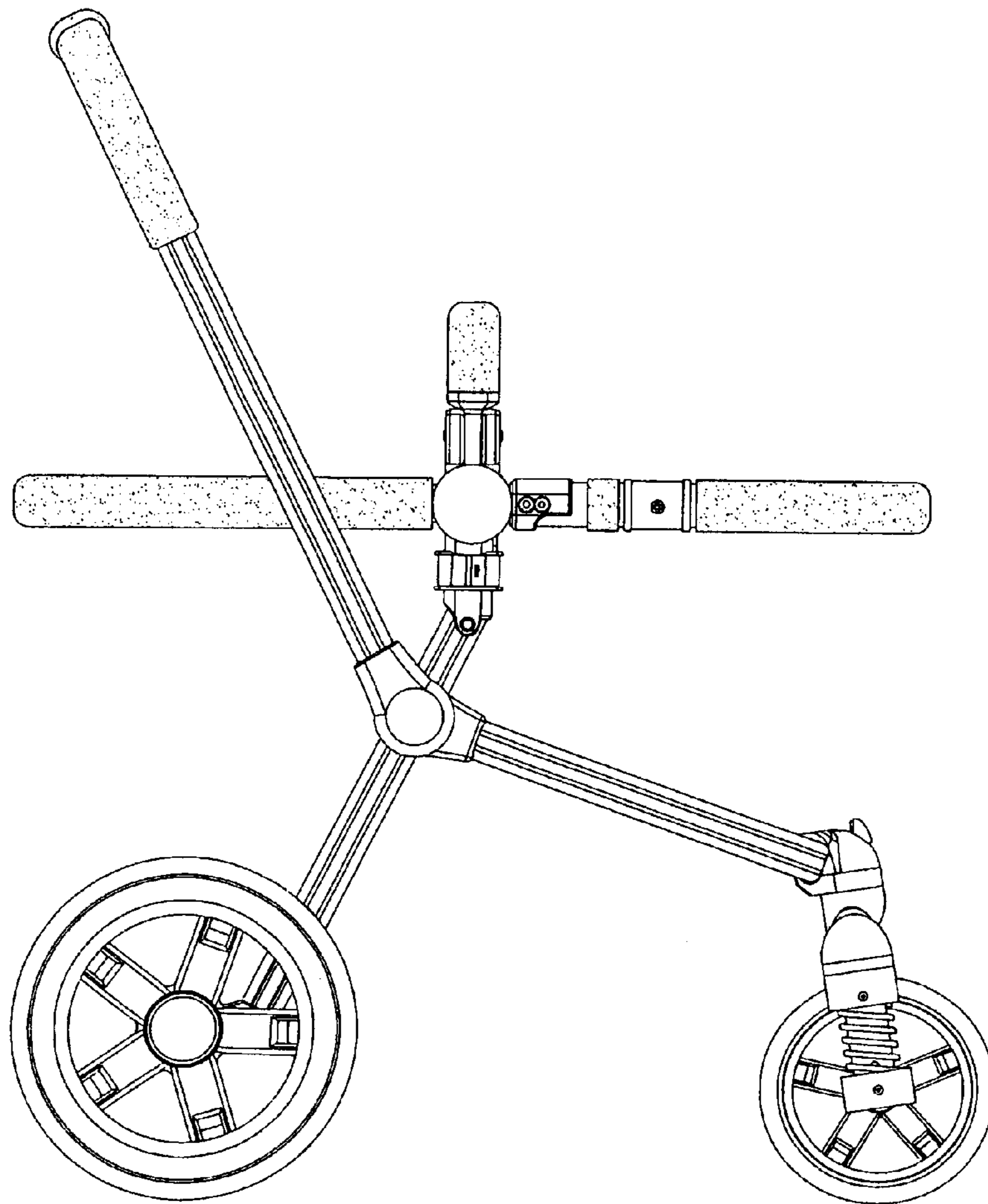


FIG. 4

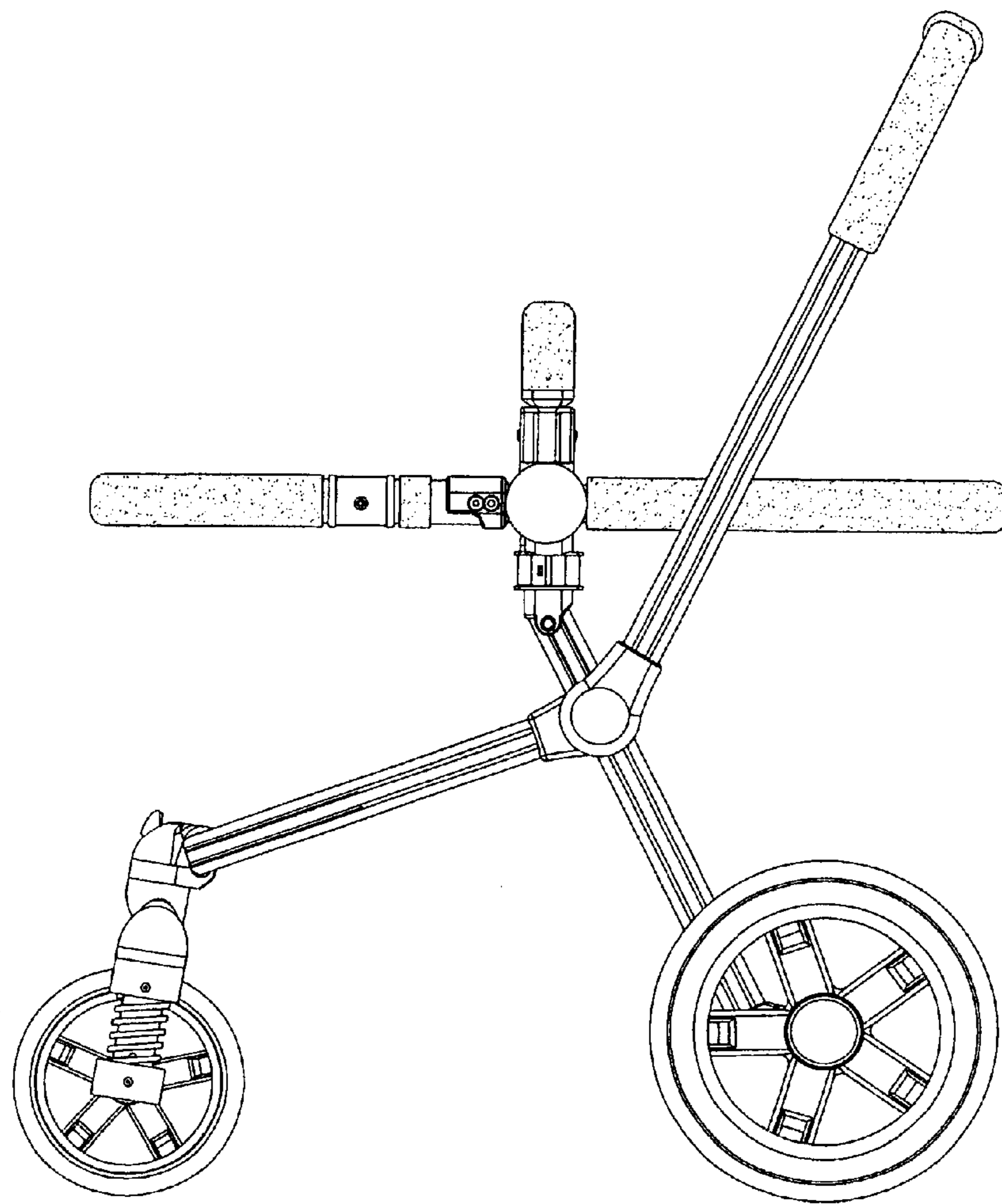


FIG. 5

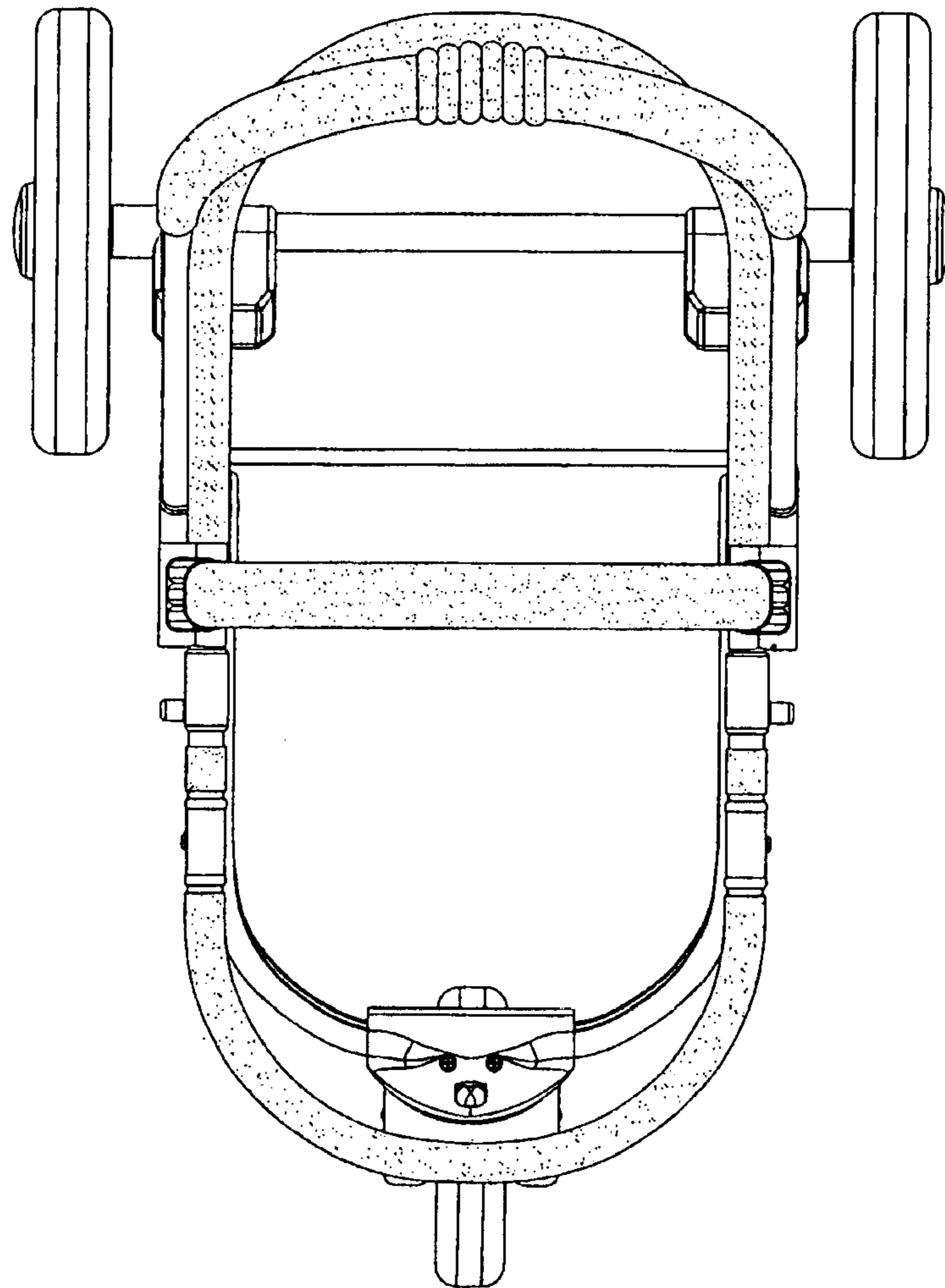


FIG. 6

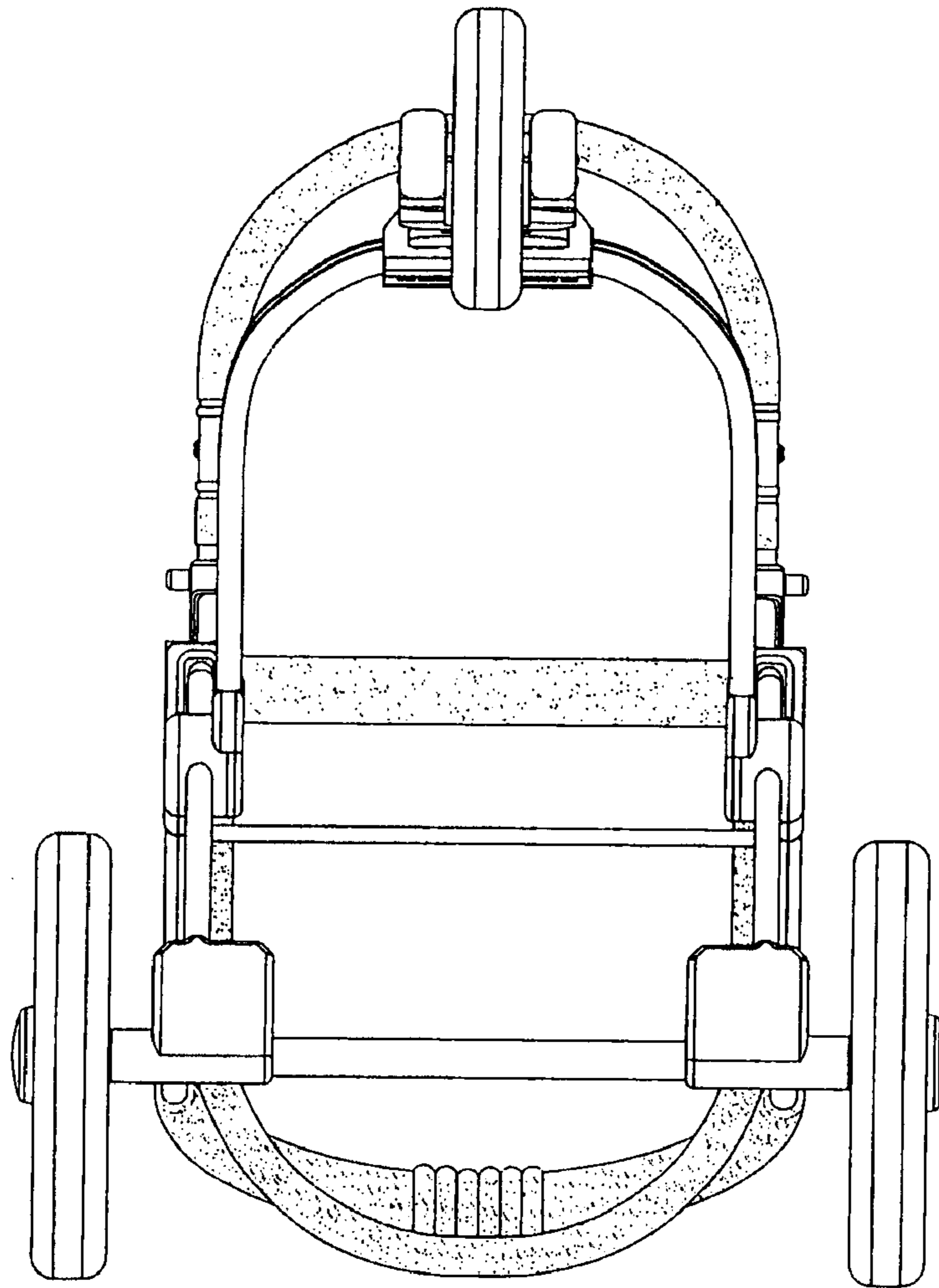


FIG. 7

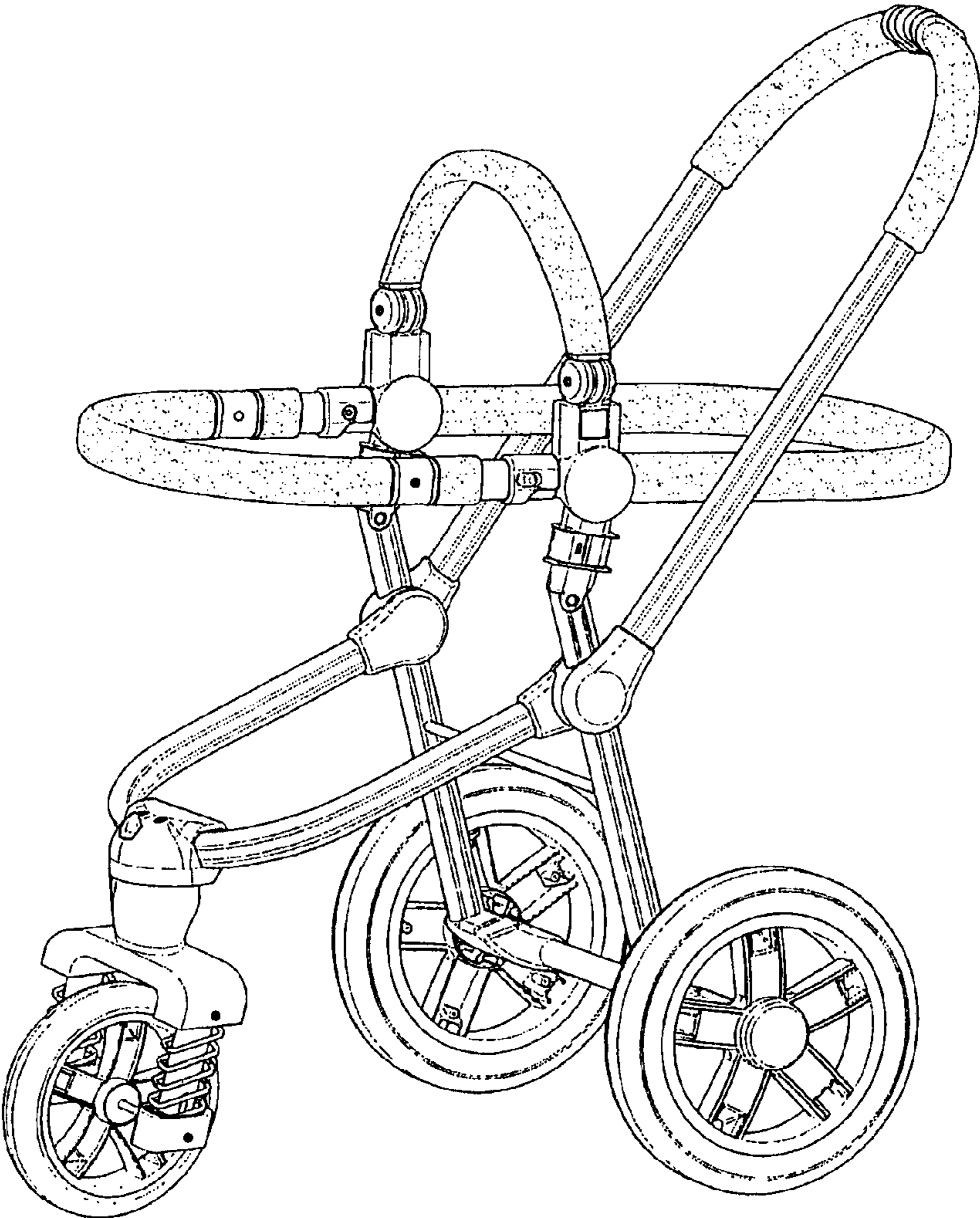


FIG. 8