



US00D580304S

(12) **United States Design Patent**  
**Okada**

(10) **Patent No.:** **US D580,304 S**  
(45) **Date of Patent:** **\*\* Nov. 11, 2008**

(54) **REAR DERAILLEUR**

(75) Inventor: **Shigekatsu Okada**, Osaka (JP)

(73) Assignee: **Shimano Inc.**, Osaka (JP)

(\*\*) Term: **14 Years**

(21) Appl. No.: **29/297,004**

(22) Filed: **Nov. 1, 2007**

(51) **LOC (8) Cl.** ..... **12-11**

(52) **U.S. Cl.** ..... **D12/124**

(58) **Field of Classification Search** ..... D12/111,  
D12/124; 474/78-82

See application file for complete search history.

(56) **References Cited**

U.S. PATENT DOCUMENTS

D432,056 S	*	10/2000	Hanamura	.....	D12/124
D534,102 S	*	12/2006	Arakawa	.....	D12/124
D534,103 S	*	12/2006	Arakawa	.....	D12/124
D534,460 S	*	1/2007	Hanamura	.....	D12/124
D536,282 S	*	2/2007	Masui	.....	D12/124
D551,131 S	*	9/2007	Arakawa	.....	D12/124

\* cited by examiner

*Primary Examiner*—Joel Sincavage

*Assistant Examiner*—Linda Brooks

(74) *Attorney, Agent, or Firm*—Global IP Counselors, LLP

(57) **CLAIM**

The ornamental design for a rear derailleur, as shown and described.

**DESCRIPTION**

FIG. 1 is an outside perspective view of a rear derailleur in accordance with my new design;

FIG. 2 is an outside elevational view of the rear derailleur in accordance with my new design;

FIG. 3 is a front end elevational view of the rear derailleur in accordance with my new design;

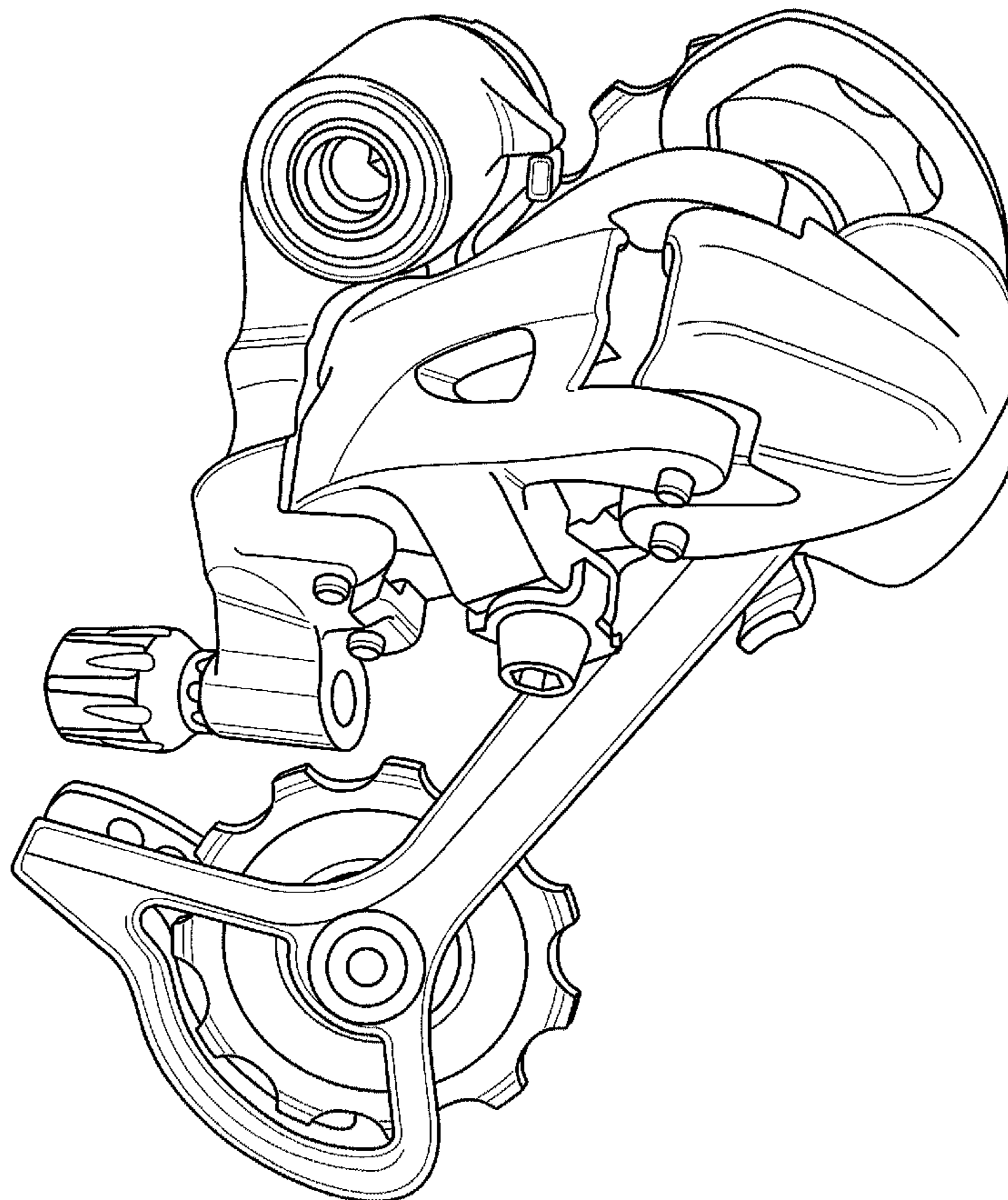
FIG. 4 is an inside elevational view of the rear derailleur in accordance with my new design;

FIG. 5 is a rear end elevational view of the rear derailleur in accordance with my new design;

FIG. 6 is a top plan view of the rear derailleur in accordance with my new design; and,

FIG. 7 is a bottom plan view of the rear derailleur in accordance with my new design.

**1 Claim, 7 Drawing Sheets**



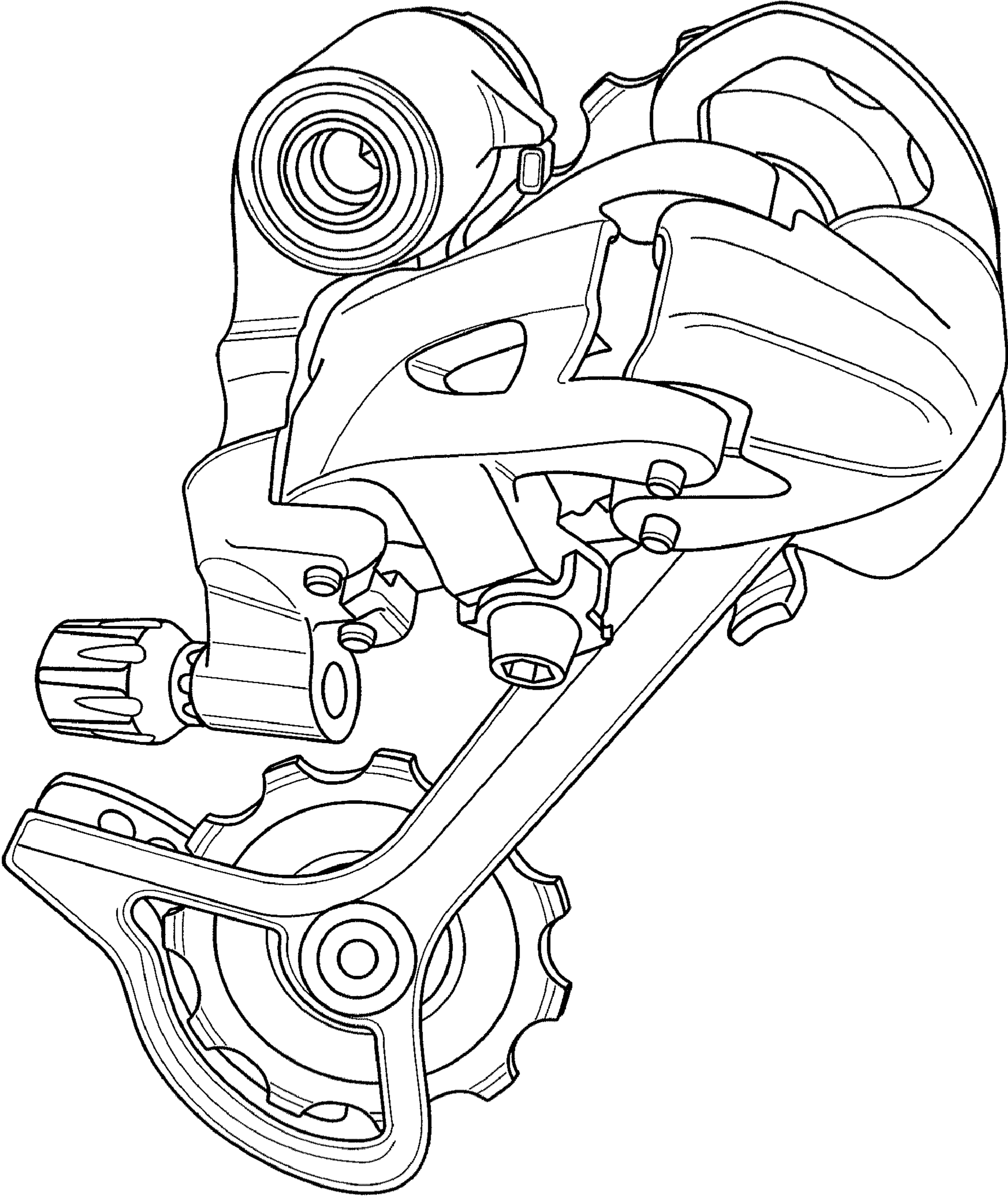


Fig. 1

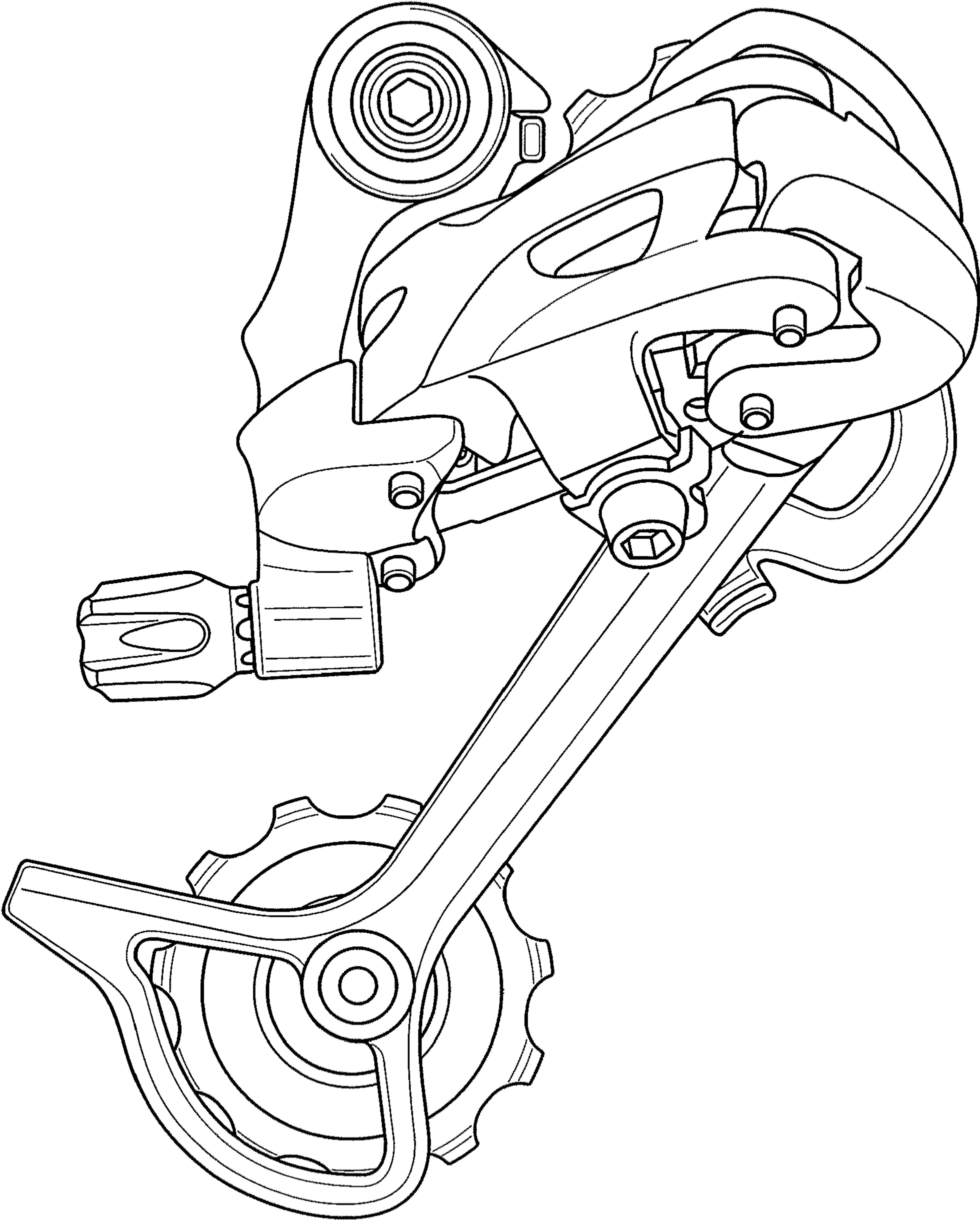


Fig. 2



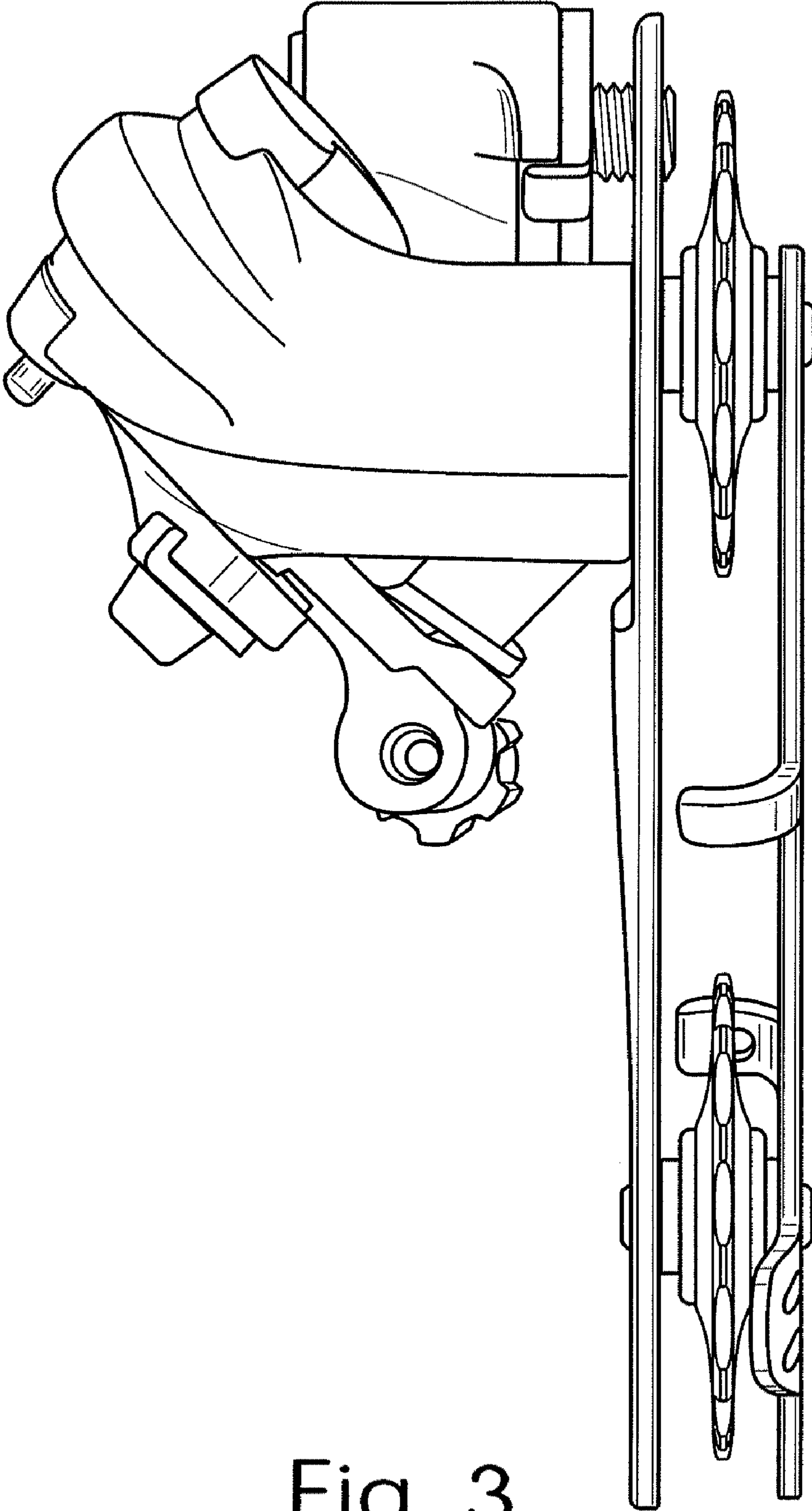


Fig. 3

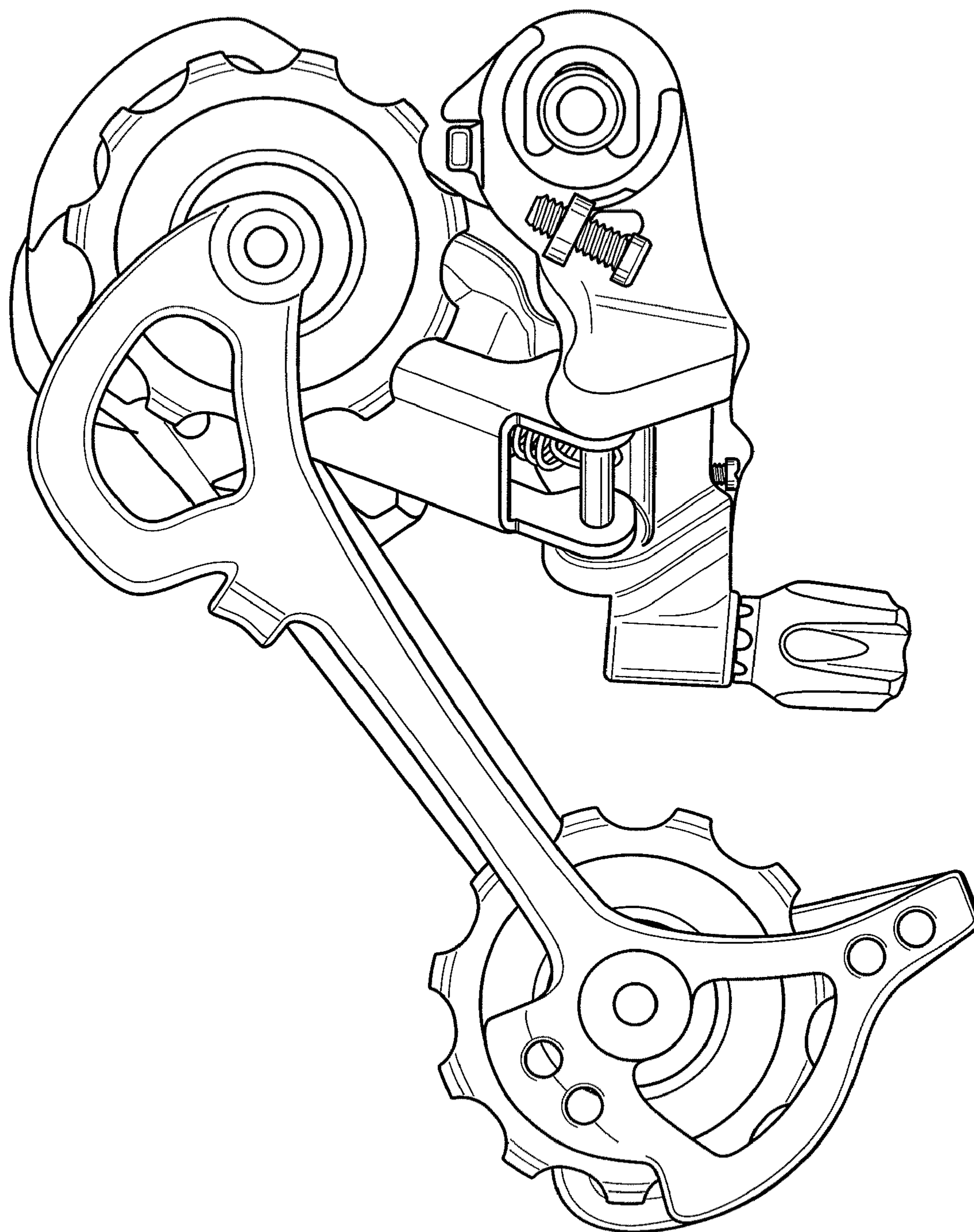


Fig. 4

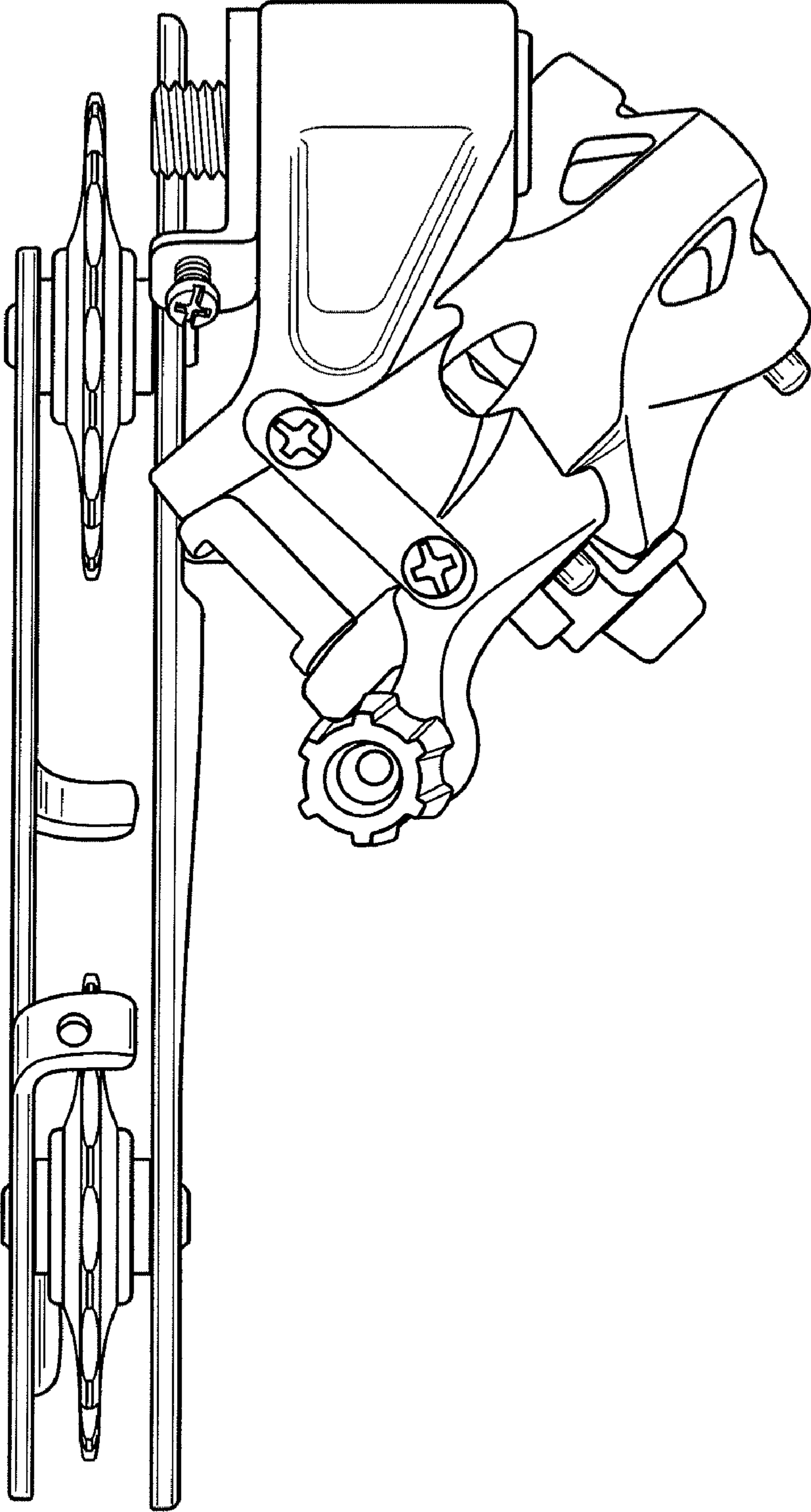


Fig. 5

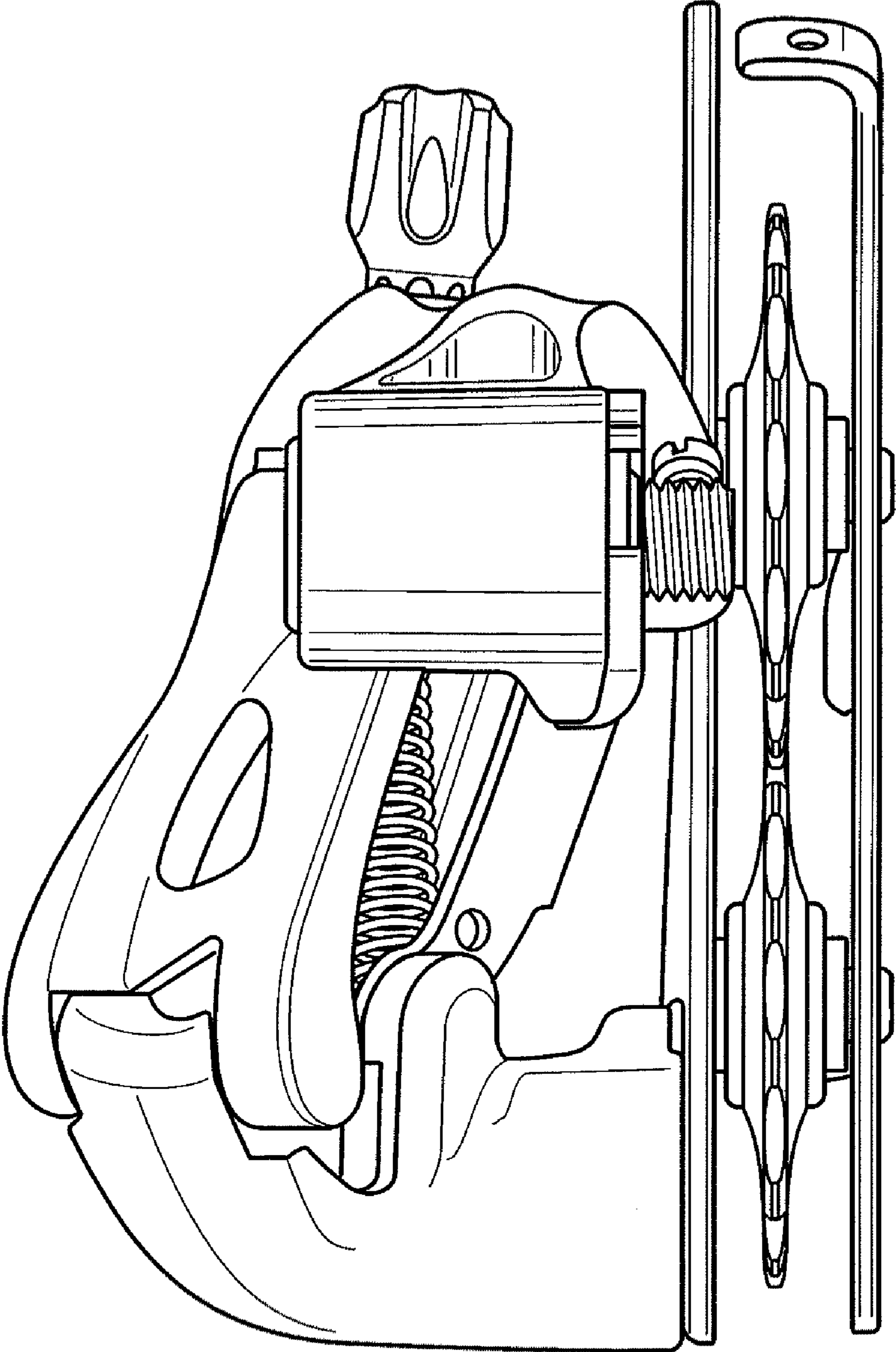


Fig. 6



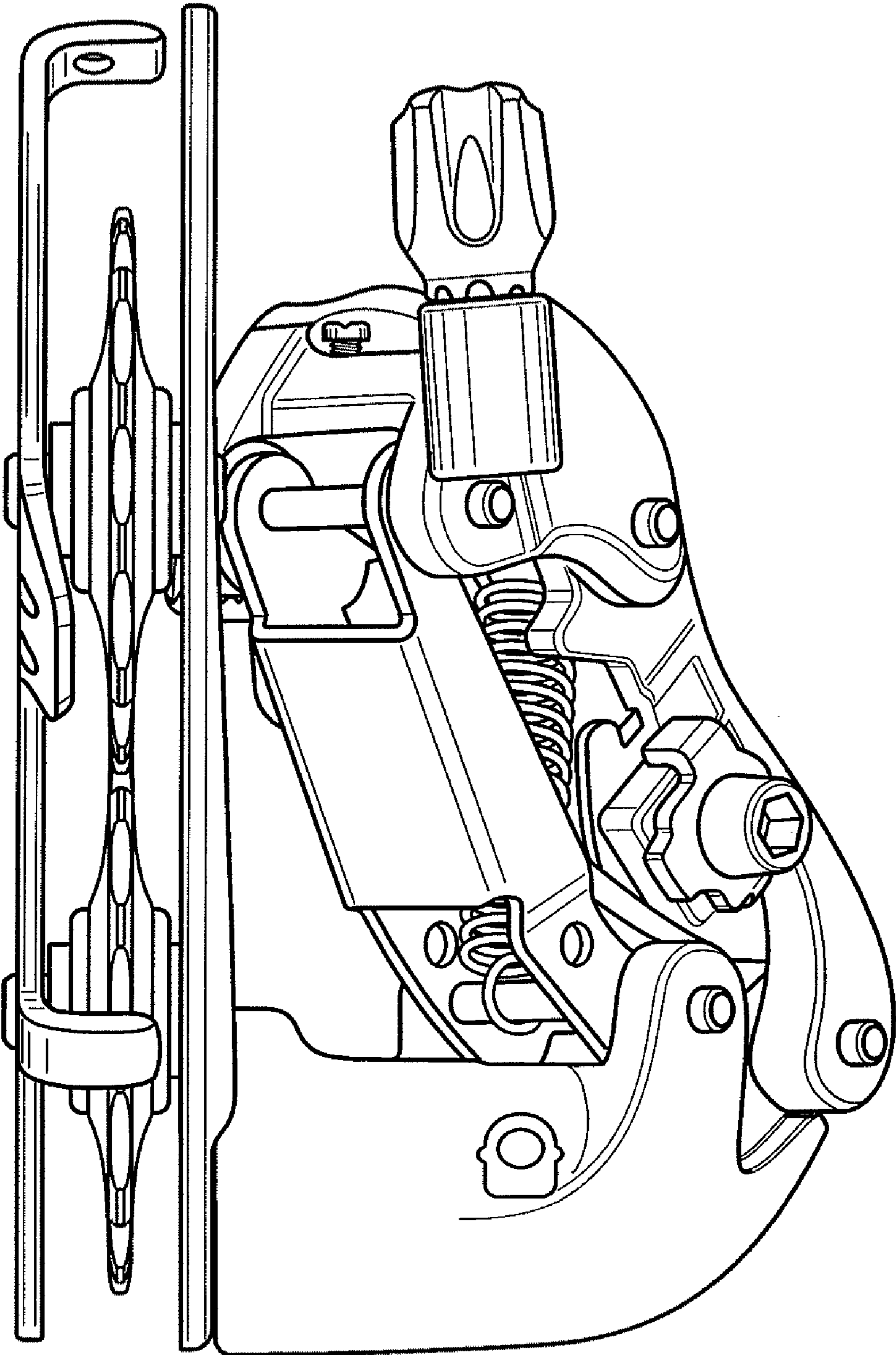


Fig. 7