



US00D580303S

(12) **United States Design Patent**  
**Okada**

(10) **Patent No.:** **US D580,303 S**

(45) **Date of Patent:** **\*\* Nov. 11, 2008**

(54) **FRONT CHAIN WHEEL ASSEMBLY**

D532,342 S \* 11/2006 Arakawa ..... D12/123  
D555,048 S \* 11/2007 Hanamura ..... D12/123

(75) Inventor: **Shigekatsu Okada**, Osaka (JP)

\* cited by examiner

(73) Assignee: **Shimano Inc.**, Osaka (JP)

*Primary Examiner*—Ian Simmons

*Assistant Examiner*—Linda Brooks

(\*\*) Term: **14 Years**

(74) *Attorney, Agent, or Firm*—Global IP Counselors, LLP

(21) Appl. No.: **29/304,494**

(57) **CLAIM**

(22) Filed: **Mar. 3, 2008**

The ornamental design for a front chain wheel assembly, as shown and described.

(30) **Foreign Application Priority Data**

Nov. 2, 2007 (EM) ..... 000827712

(51) **LOC (8) Cl.** ..... **12-11**

(52) **U.S. Cl.** ..... **D12/123**

(58) **Field of Classification Search** ..... D12/111,  
D12/123; 474/151, 152, 155–158, 160–162,  
474/144, 164; 74/594.1–594.4; 280/259,  
280/260

See application file for complete search history.

**DESCRIPTION**

FIG. 1 is an outside (front) perspective view of a front chain wheel assembly in accordance with my new design;

FIG. 2 is an outside (front) elevational view of the front chain wheel assembly in accordance with my new design;

FIG. 3 is an inside (back) elevational view of the front chain wheel assembly in accordance with my new design;

FIG. 4 is a right side elevational view of the front chain wheel assembly in accordance with my new design;

FIG. 5 is a left side elevational view of the front chain wheel assembly in accordance with my new design;

FIG. 6 is a top plan view of the front chain wheel assembly in accordance with my new design; and,

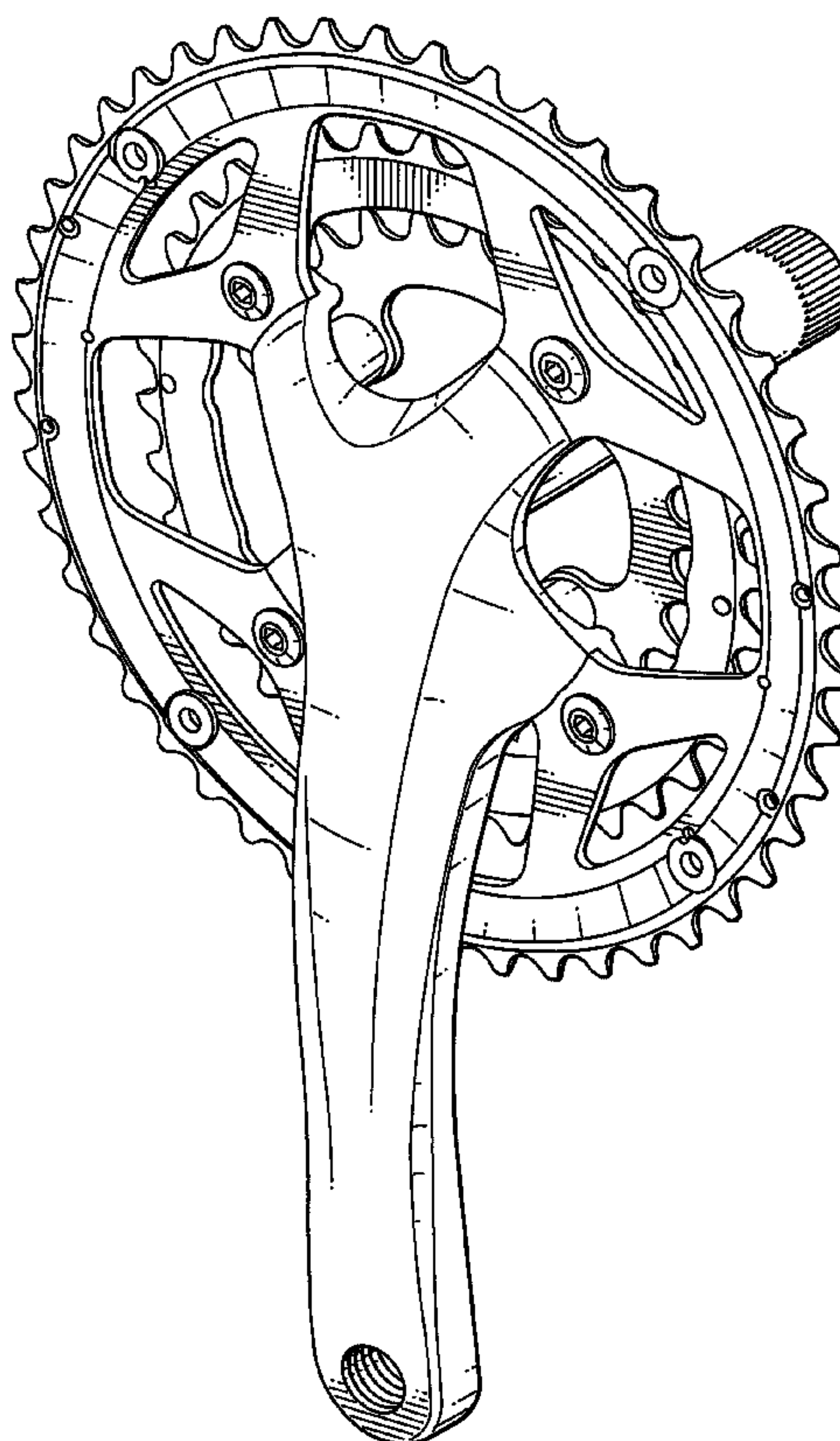
FIG. 7 is a bottom plan view of the front chain wheel assembly in accordance with my new design.

(56) **References Cited**

**U.S. PATENT DOCUMENTS**

4,475,894 A \* 10/1984 Sugino ..... 474/144  
6,450,909 B1 \* 9/2002 Yamanaka ..... 474/160  
6,475,110 B1 \* 11/2002 Yamanaka ..... 474/152  
6,666,786 B2 \* 12/2003 Yahata ..... 474/152  
D484,831 S \* 1/2004 Chiang ..... D12/123  
7,022,037 B2 \* 4/2006 Valle ..... 474/152

**1 Claim, 7 Drawing Sheets**



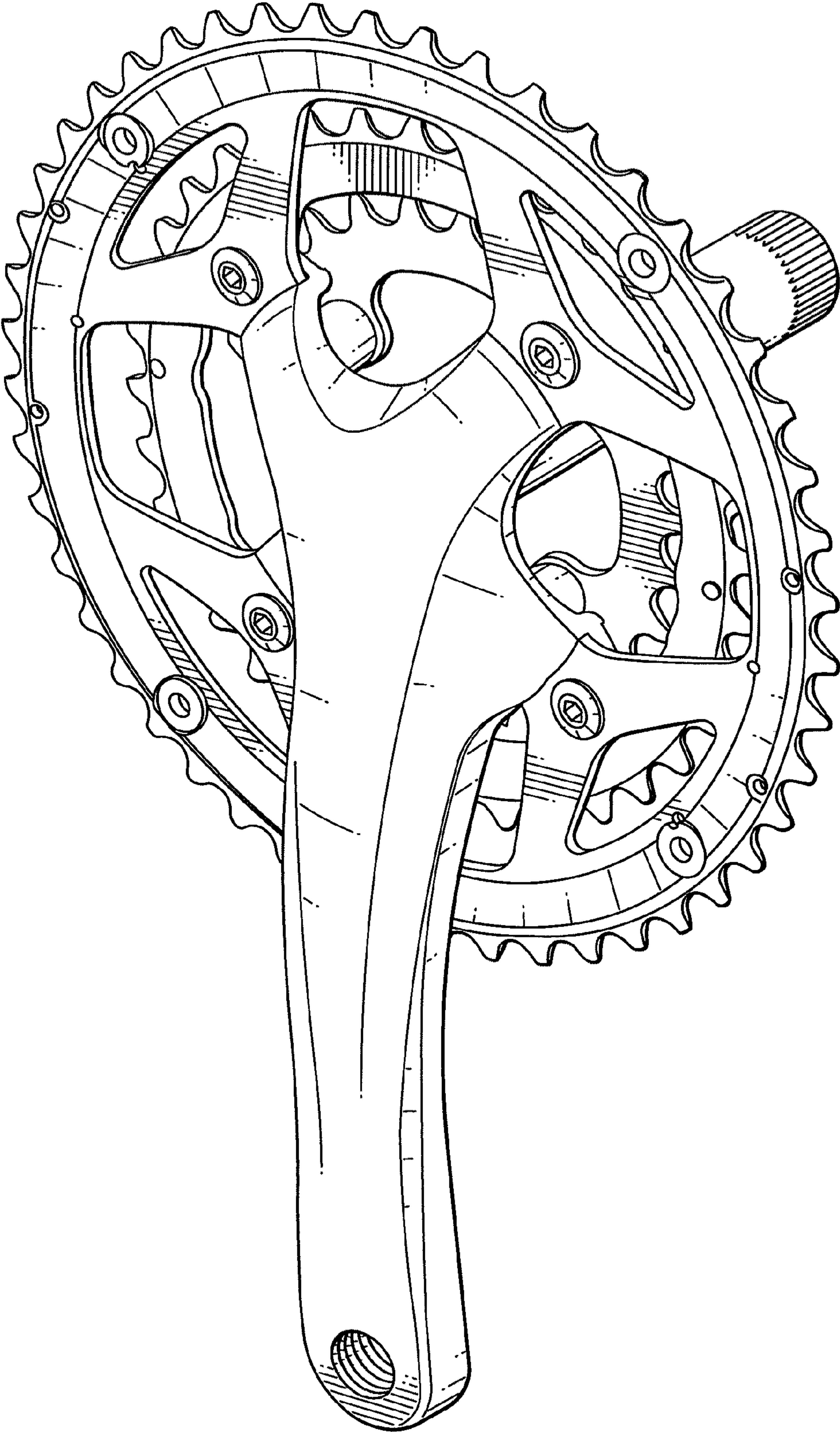


FIG. 1



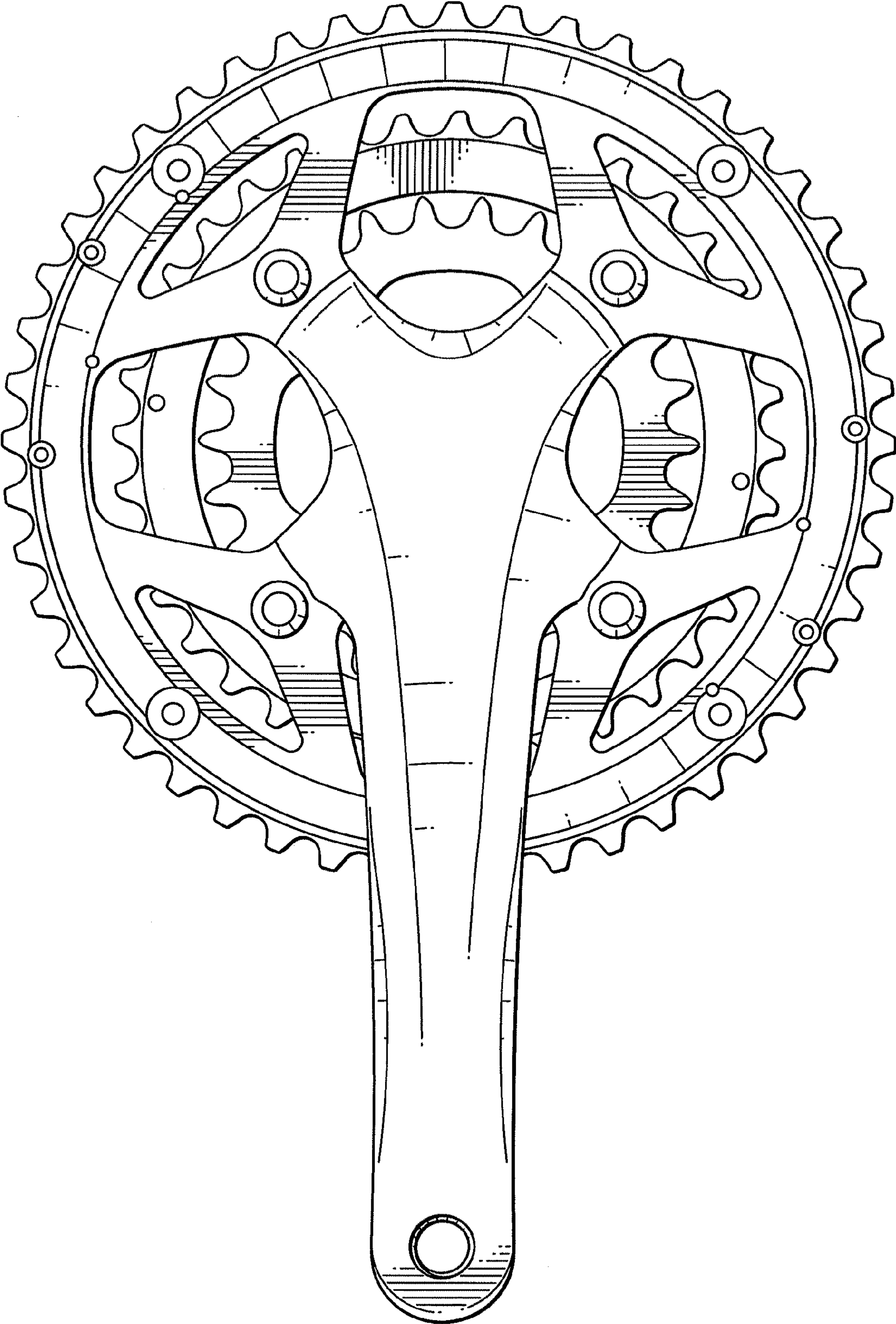


FIG. 2

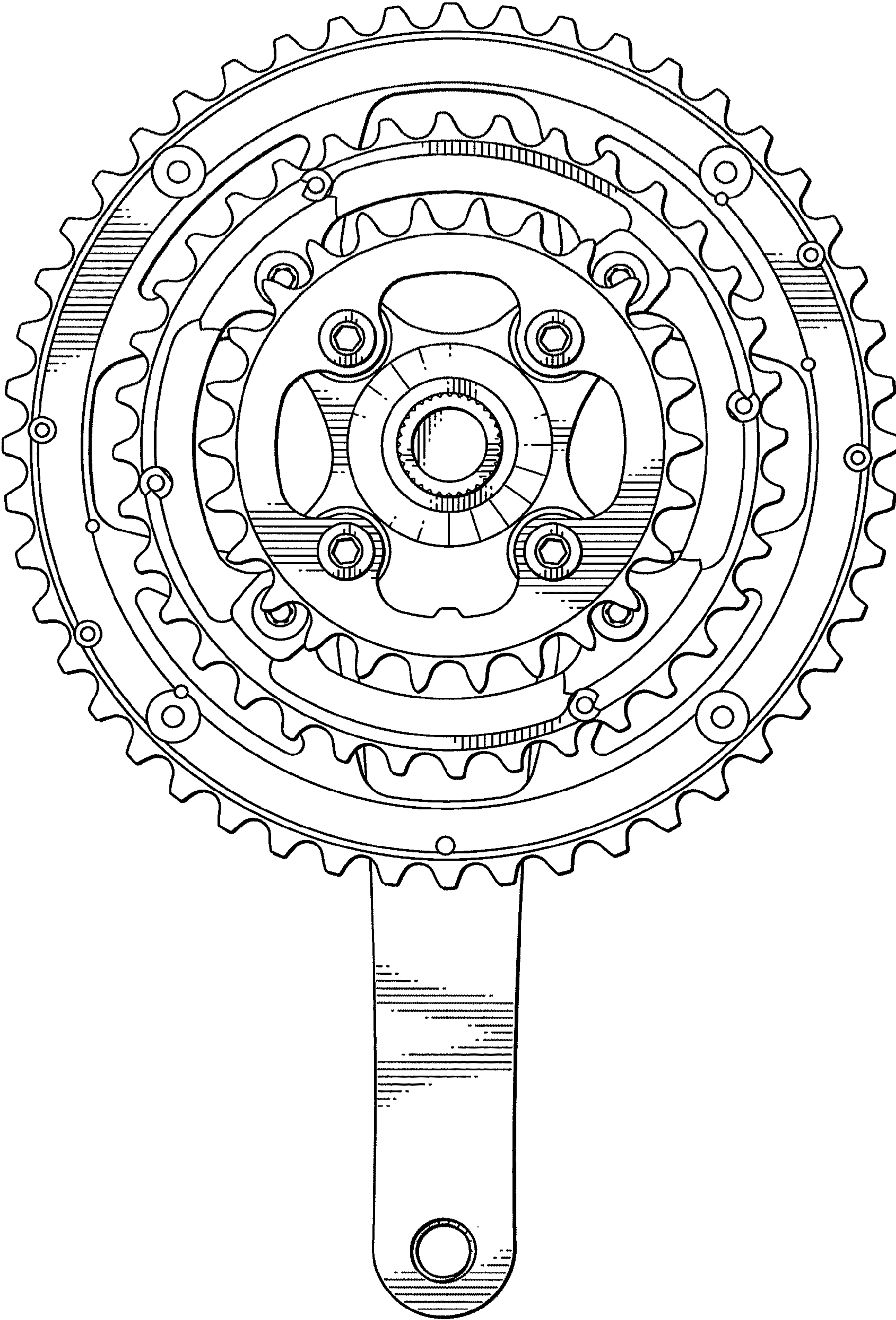


FIG. 3

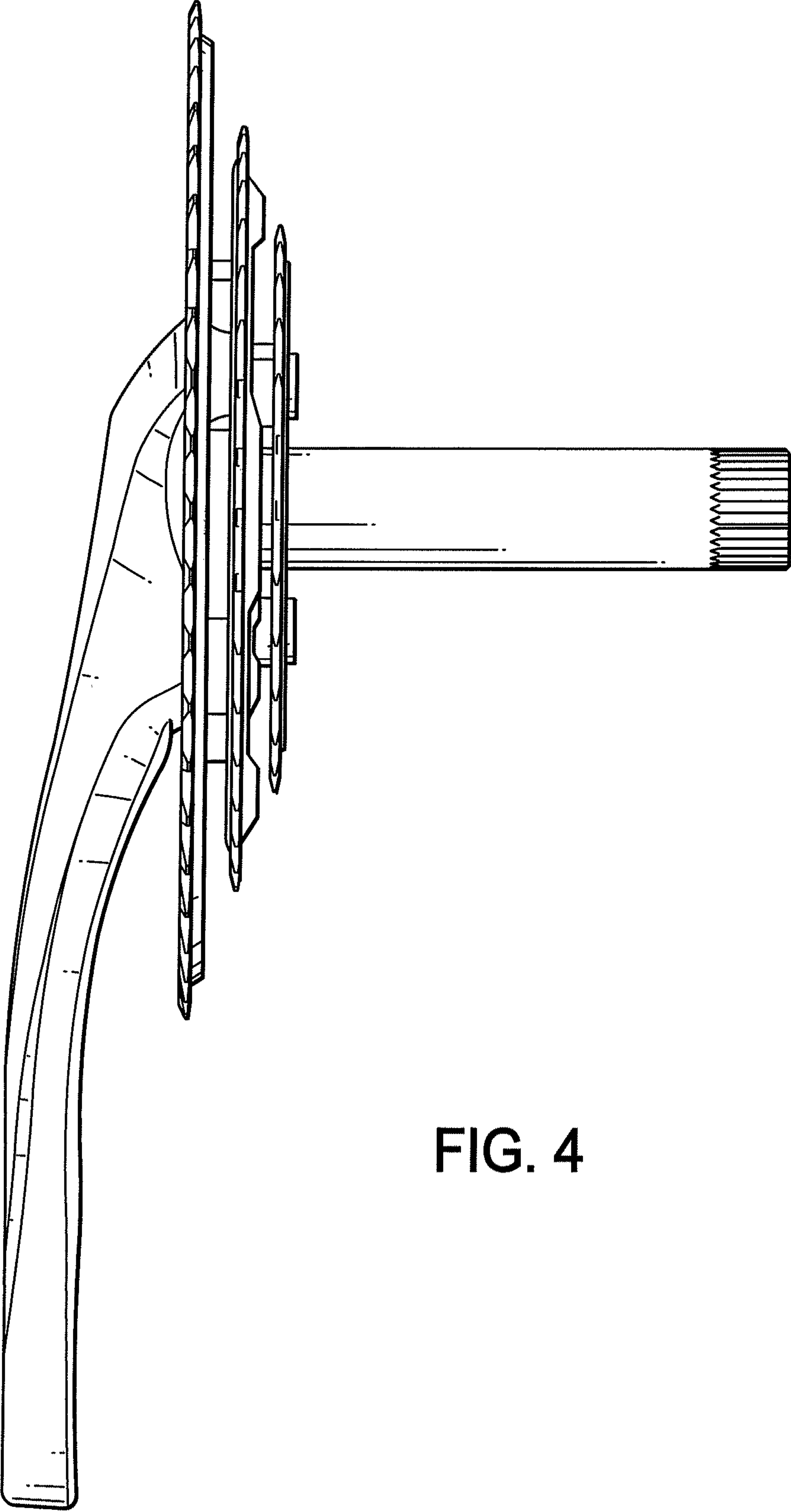


FIG. 4

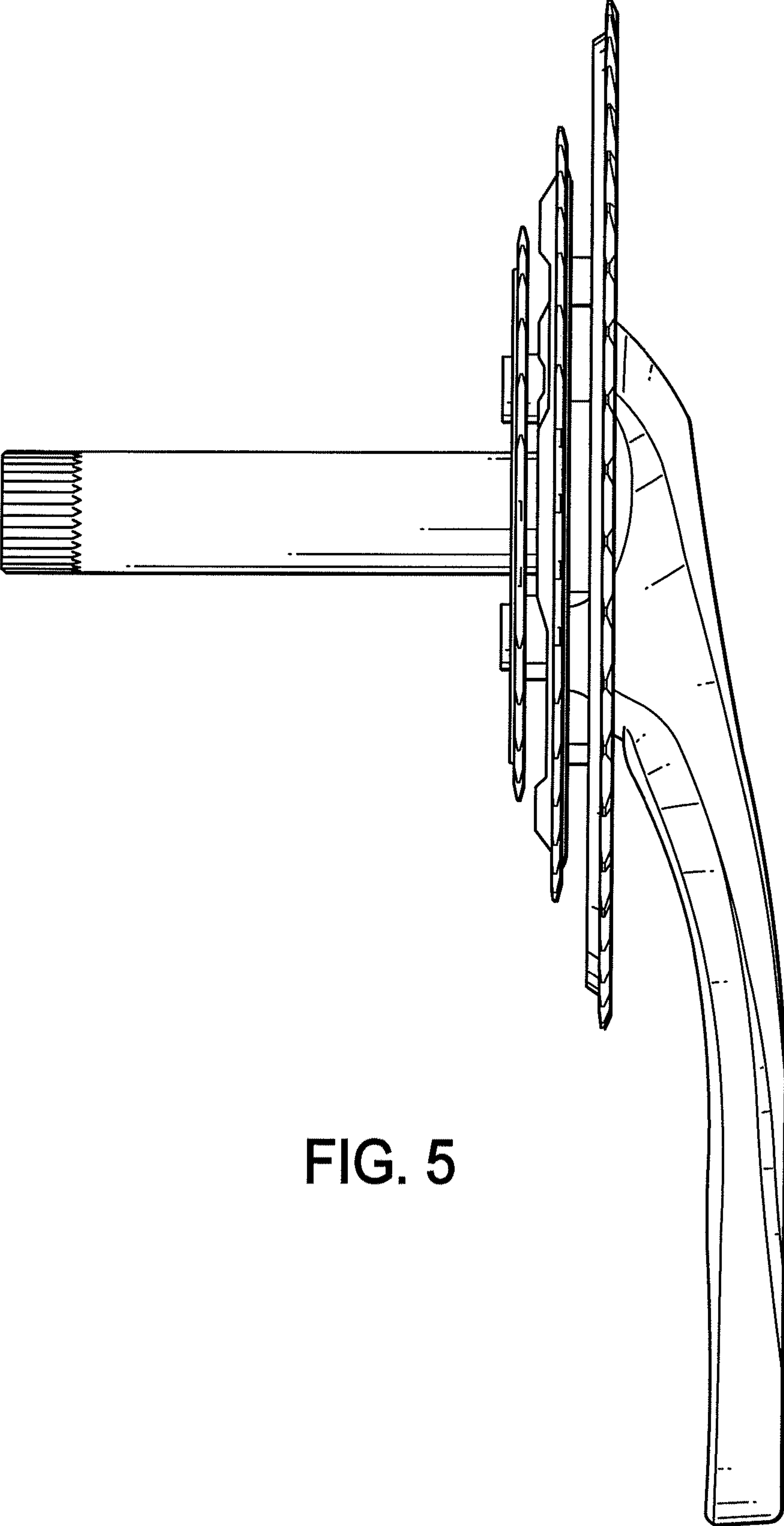


FIG. 5

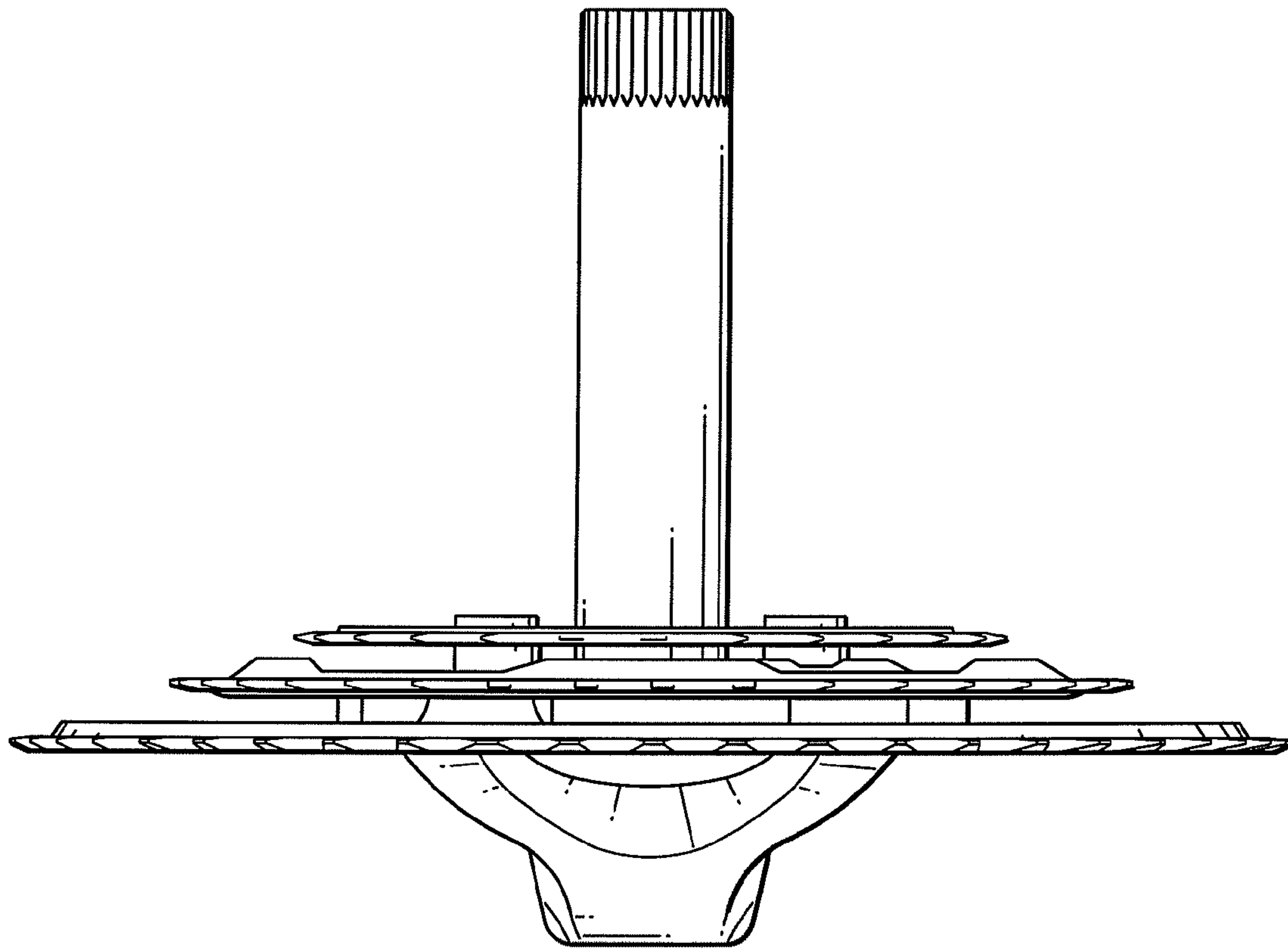


FIG. 6



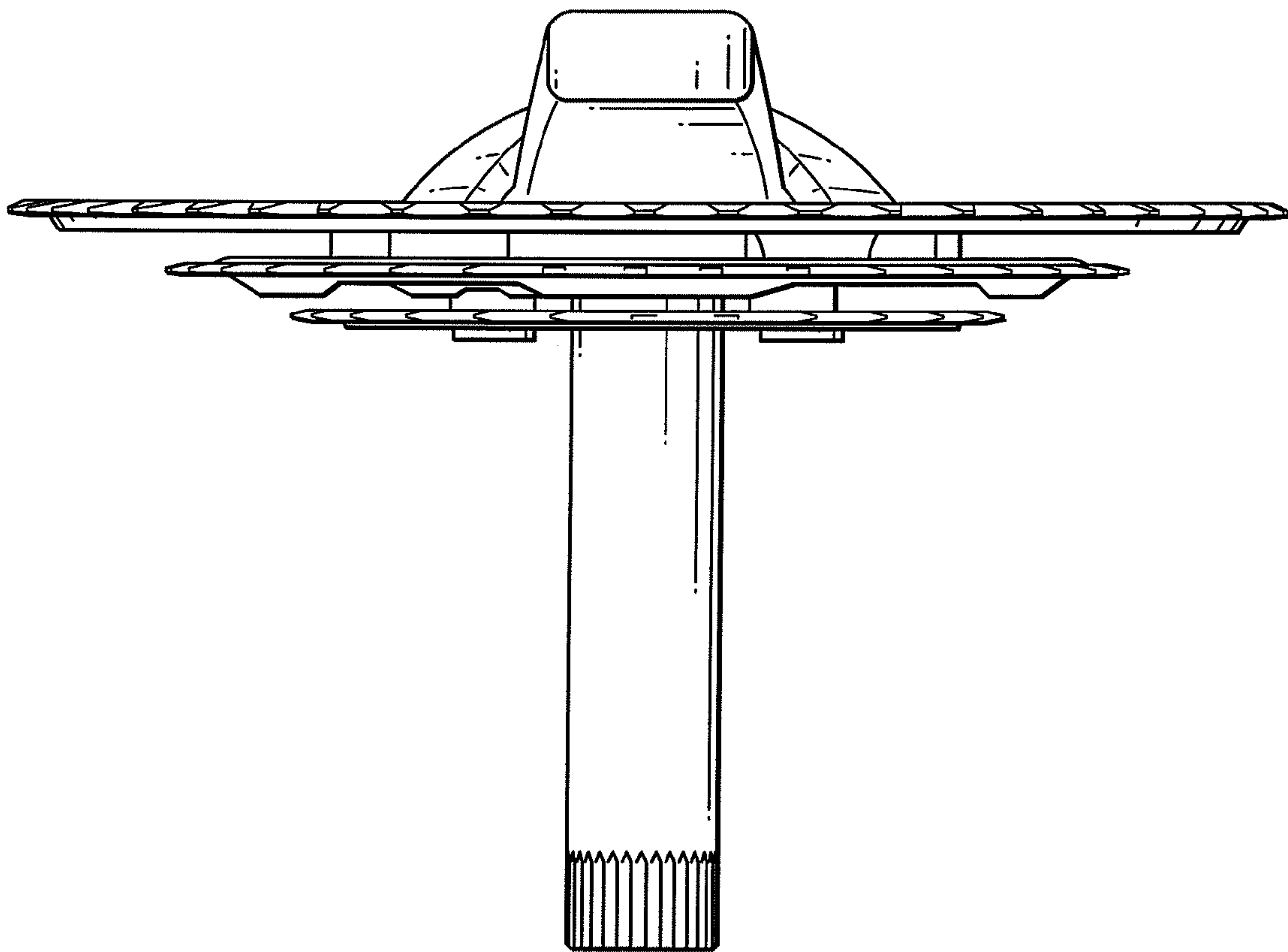


FIG. 7