



US00D580301S

(12) **United States Design Patent**
Schroeder et al.

(10) **Patent No.:** **US D580,301 S**

(45) **Date of Patent:** **** Nov. 11, 2008**

(54) **ALL TERRAIN VEHICLE**

D515,978 S * 2/2006 Luh D12/107
D517,450 S * 3/2006 Wu D12/107
D529,413 S * 10/2006 Basset et al. D12/107

(75) Inventors: **Anthony M. Schroeder**, Huntington Beach, CA (US); **Nicholas Renner**, Irvine, CA (US); **Asao Itaya**, Gardena, CA (US); **Jessica Vera**, Torrance, CA (US); **Hideaki Yamazumi**, Asaka (JP); **Hiroyuki Miyazaki**, Redondo Beach, CA (US); **Camas Reed**, Columbus, OH (US); **Ryan J. Holoweiko**, Powell, OH (US); **Stephen Hlopick**, Marysville, OH (US); **Darin D. King**, Raymond, OH (US); **Daniel Thomas Sellars**, West Liberty, OH (US)

* cited by examiner

Primary Examiner—Ian Simmons
Assistant Examiner—Linda Brooks
(74) *Attorney, Agent, or Firm*—Plumsea Law Group, LLC; Mark E. Duell

(73) Assignee: **Honda Motor Co., Ltd.**, Tokyo (JP)

(**) Term: **14 Years**

(21) Appl. No.: **29/281,531**

(22) Filed: **Jun. 26, 2007**

(51) **LOC (8) Cl.** **12-11**

(52) **U.S. Cl.** **D12/107**

(58) **Field of Classification Search** D12/3,
D12/86, 87, 107, 110; 180/225, 229, 233,
180/311, 312, 315, 223

See application file for complete search history.

(56) **References Cited**

U.S. PATENT DOCUMENTS

D512,001 S * 11/2005 Kato et al. D12/107

(57) **CLAIM**

The ornamental design for an all terrain vehicle, as shown and described.

DESCRIPTION

FIG. 1 is a frontal perspective view of an all terrain vehicle showing our new design;

FIG. 2 is a rear perspective view thereof;

FIG. 3 is a side elevational view of one side thereof;

FIG. 4 is a side elevational view of the other side thereof;

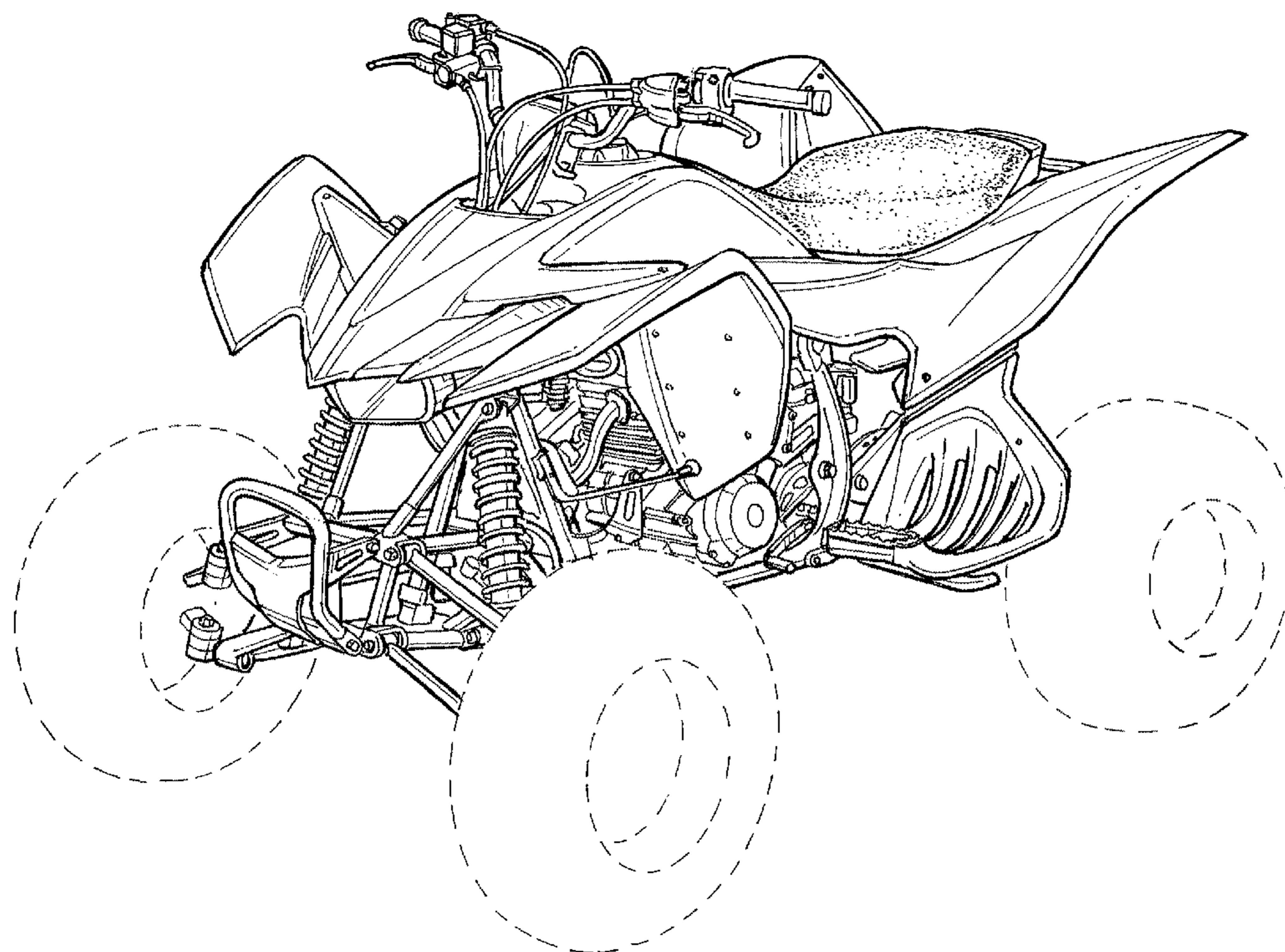
FIG. 5 is a front elevational view thereof;

FIG. 6 is a rear elevational view thereof; and,

FIG. 7 is a top plan view thereof.

The broken line showings of the wheels and tires are for illustrative purposes only and form no part of the claimed design.

1 Claim, 7 Drawing Sheets



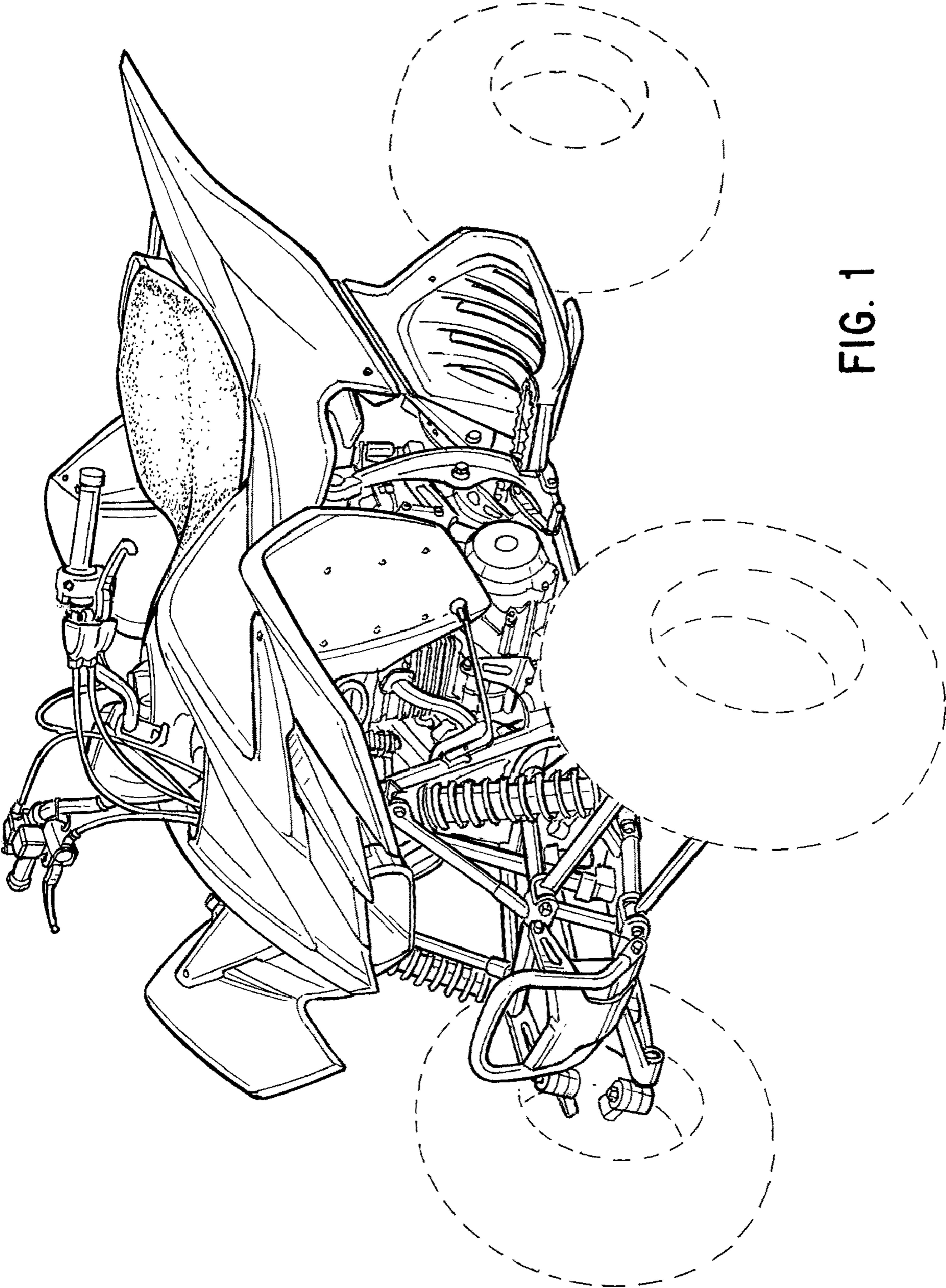


FIG. 1

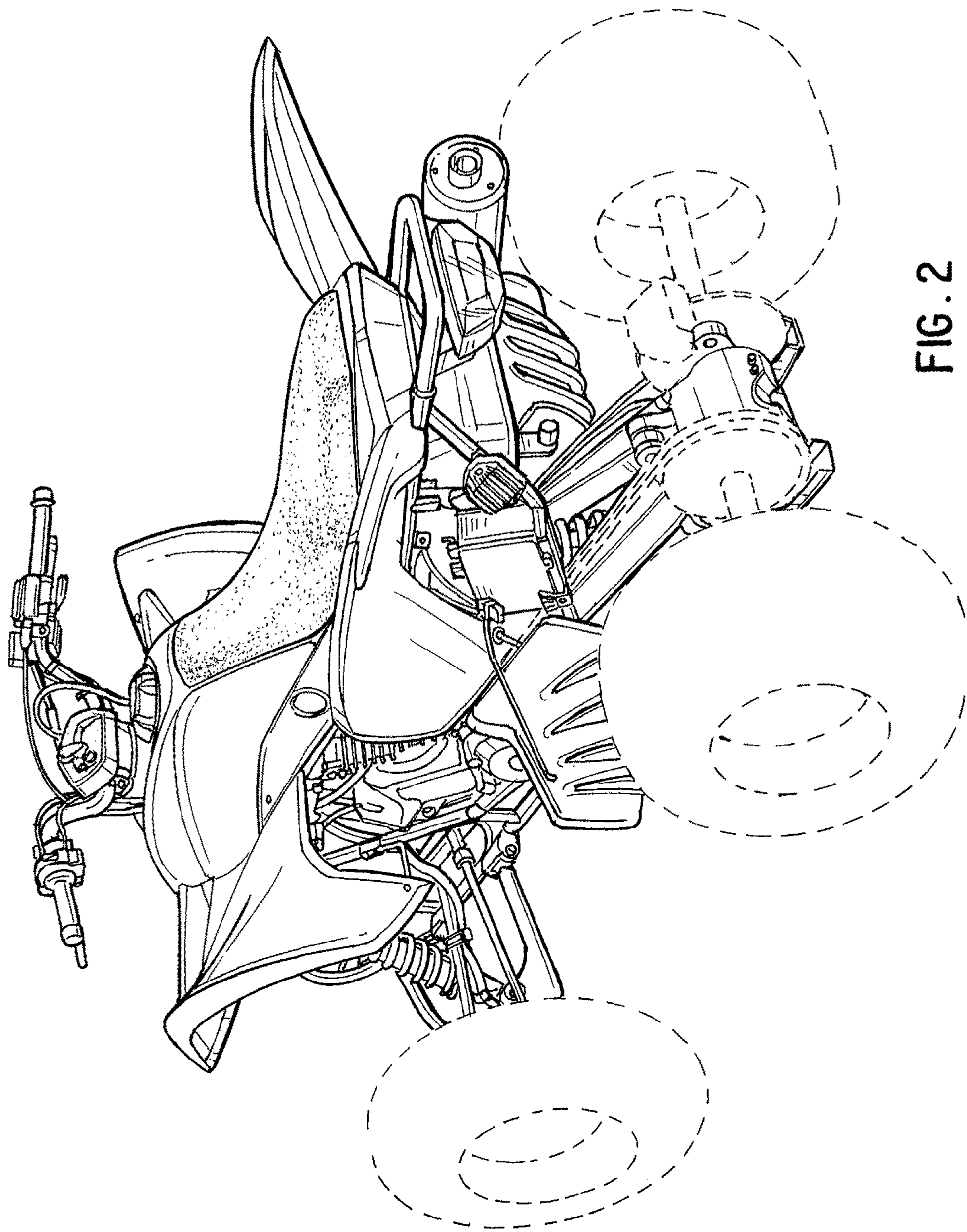


FIG. 2

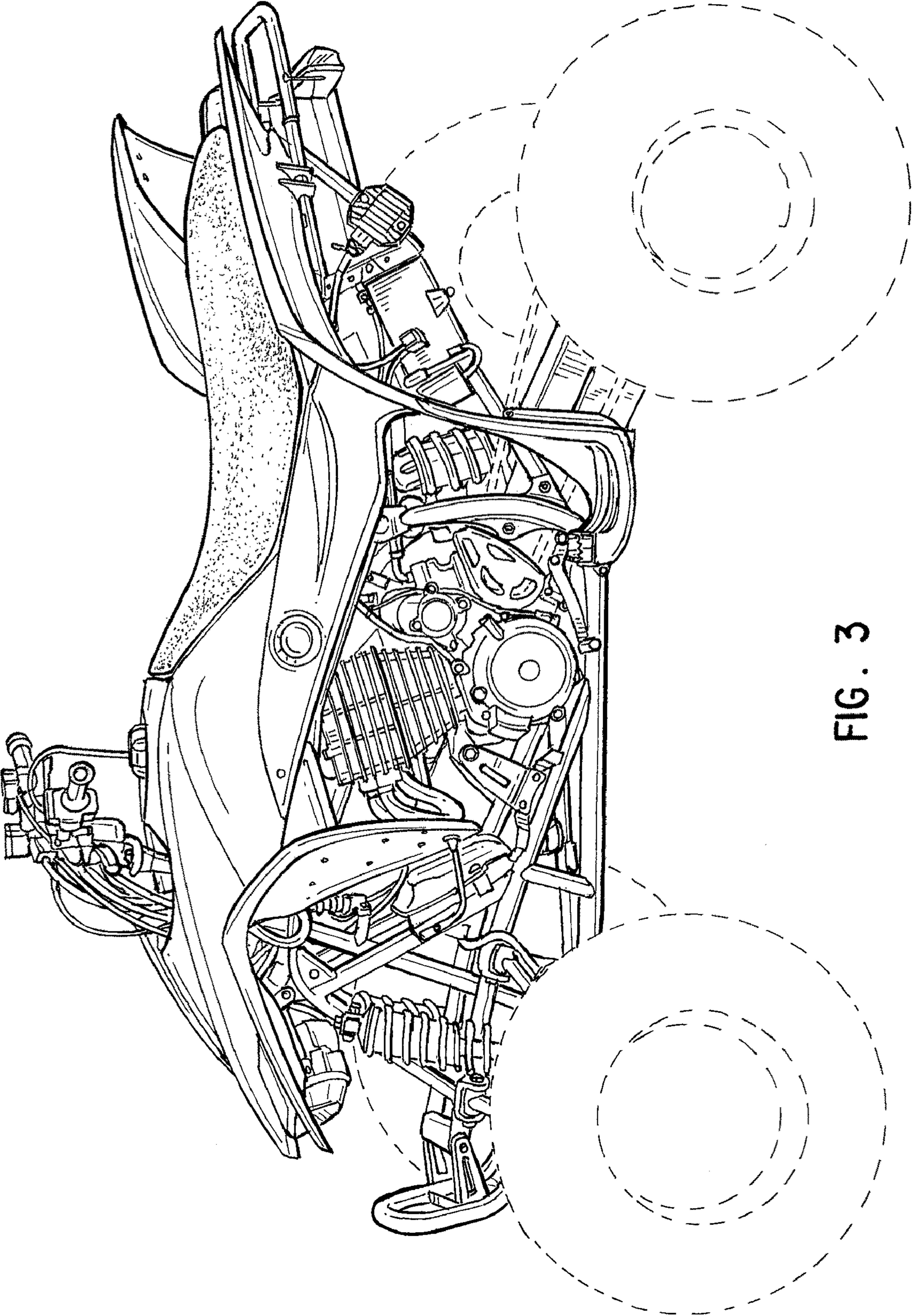


FIG. 3

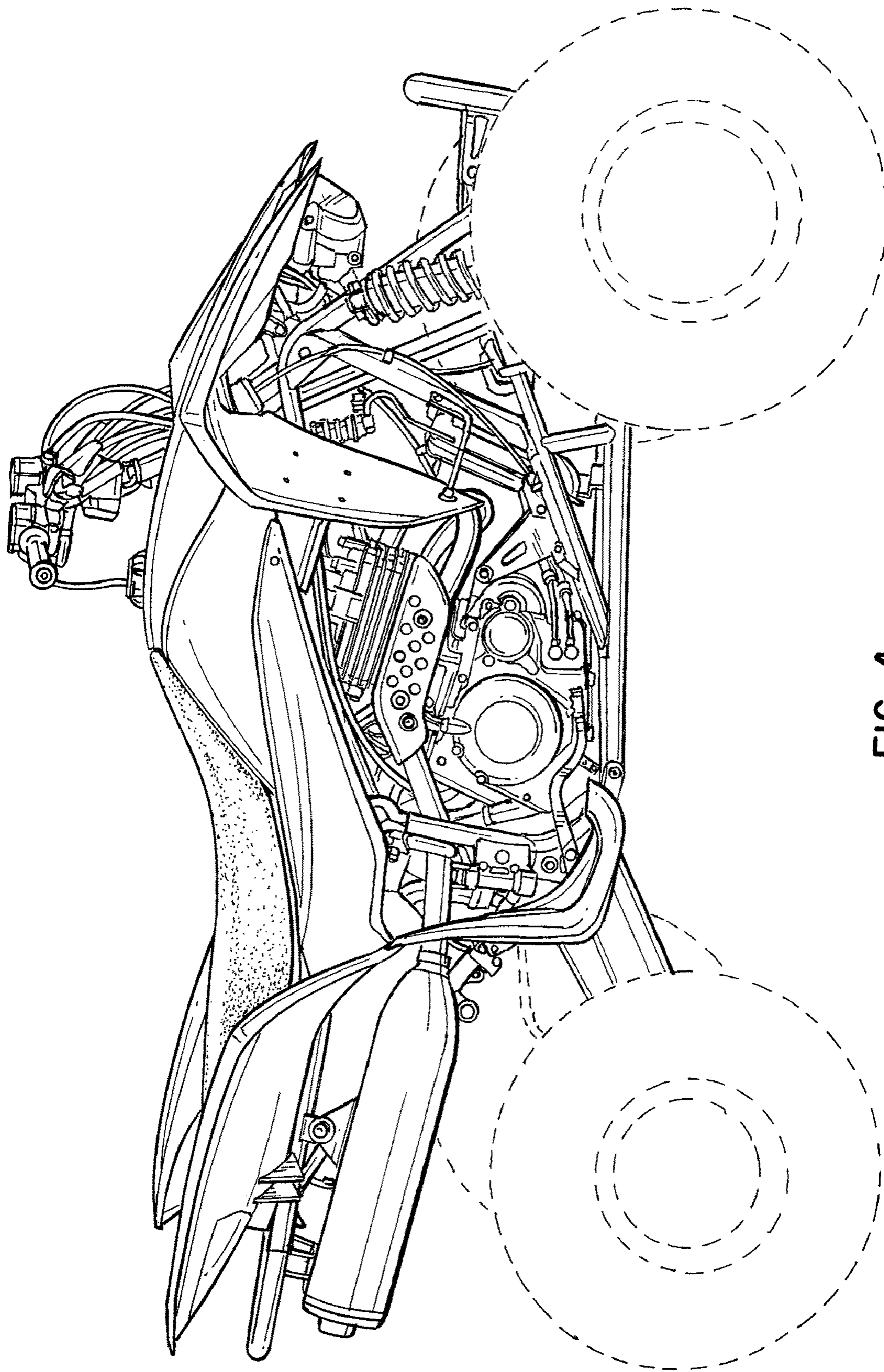


FIG. 4

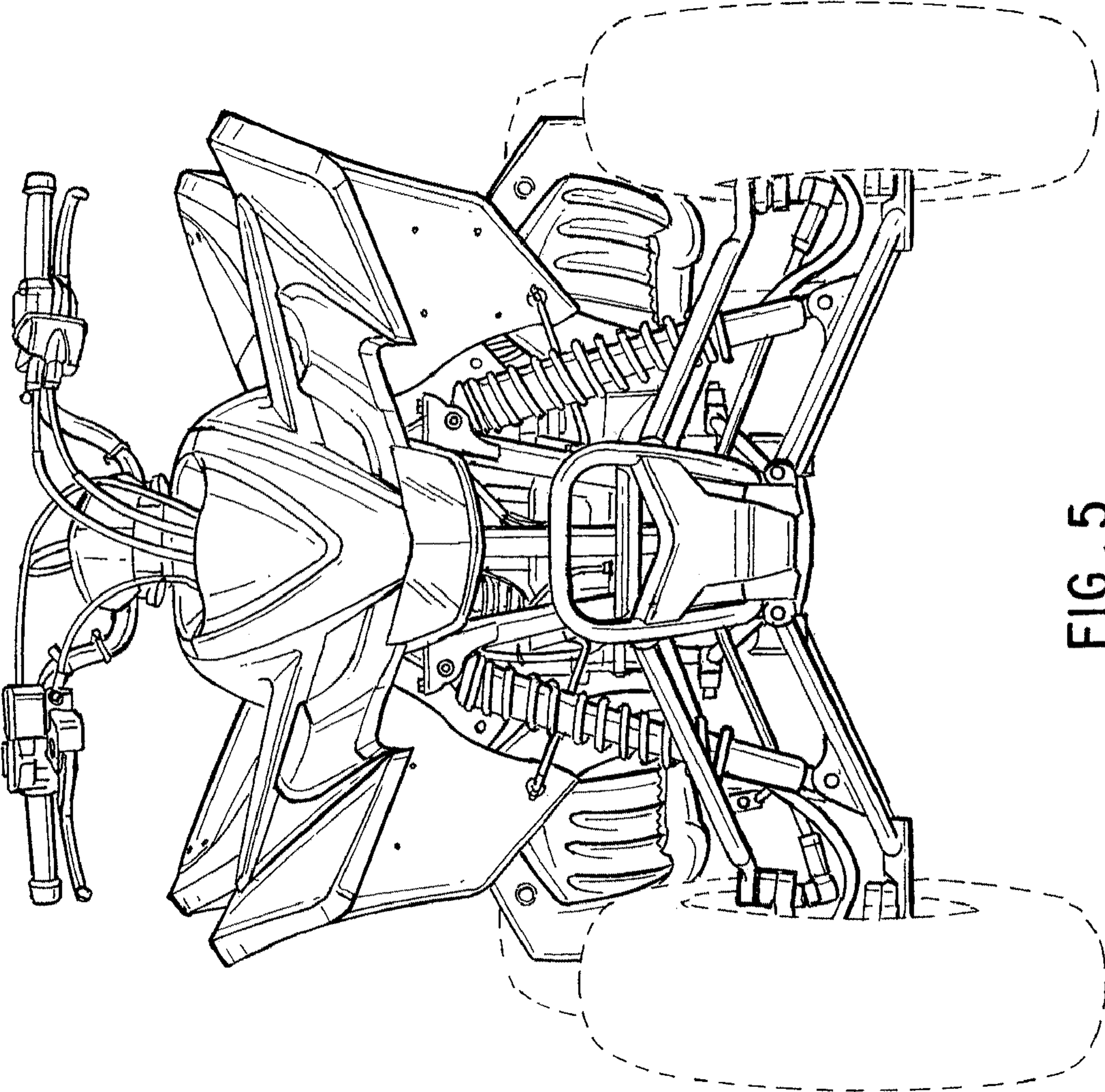


FIG. 5

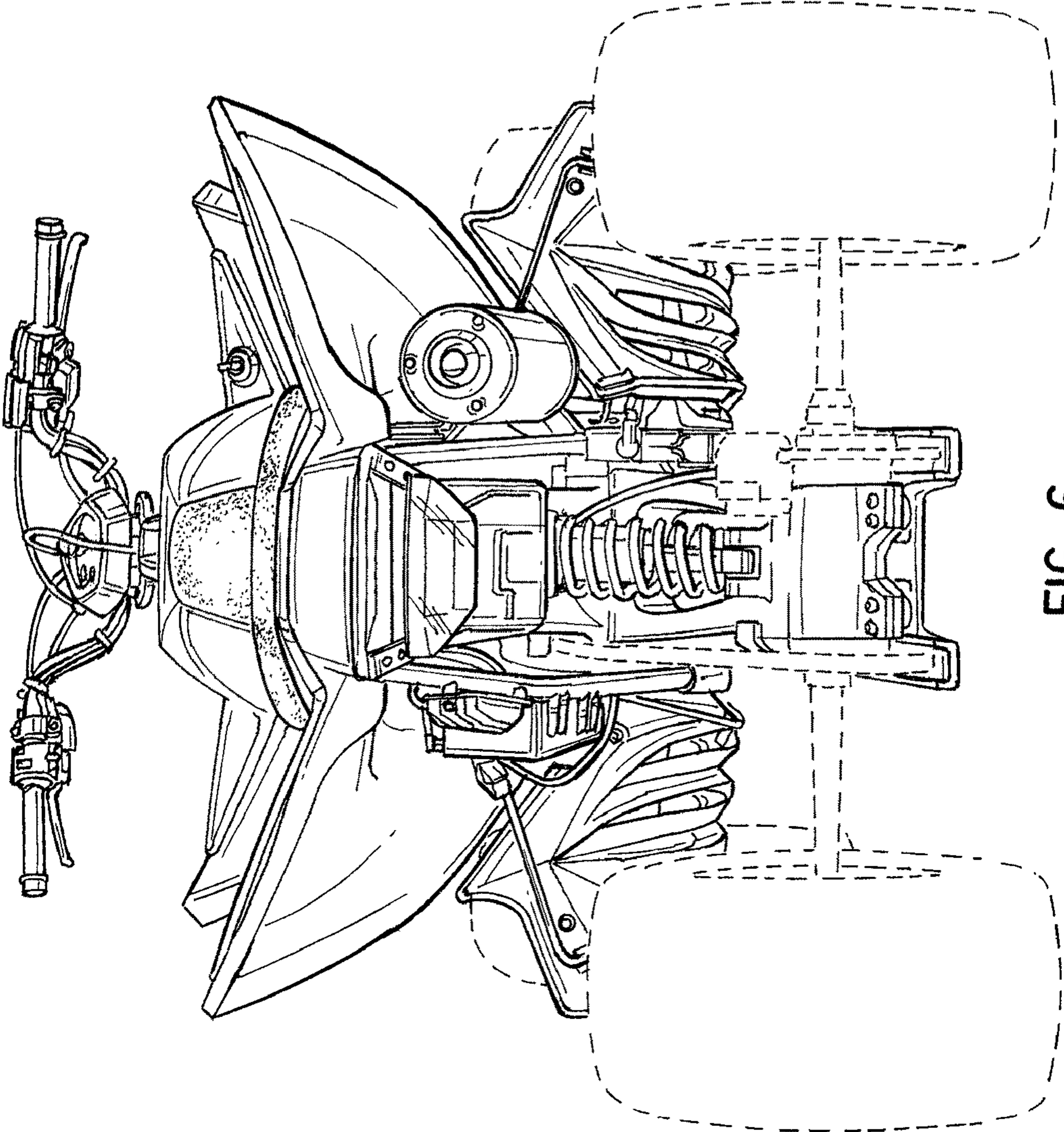


FIG. 6

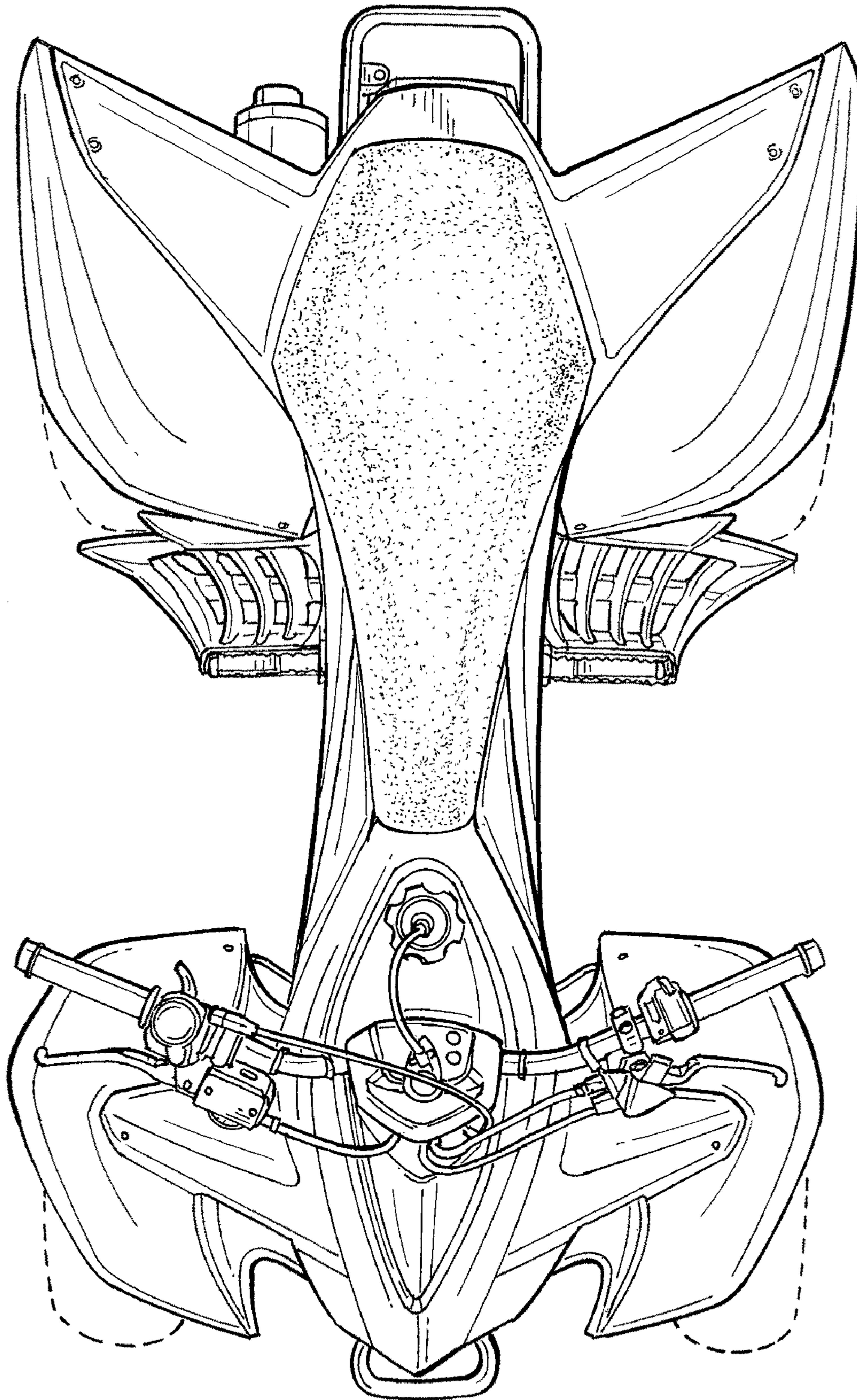


FIG. 7