



US00D580296S

(12) **United States Design Patent**  
**Patterson**

(10) **Patent No.:** **US D580,296 S**

(45) **Date of Patent:** **\*\* Nov. 11, 2008**

(54) **DECORATIVE SCULPTURE OF TWO NUTS**

(76) **Inventor:** **John Patterson**, 21235 Forest Meadow Dr., Lake Forest, CA (US) 92630

(\*\*) **Term:** **14 Years**

(21) **Appl. No.:** **29/225,290**

(22) **Filed:** **Mar. 15, 2005**

(51) **LOC (8) Cl.** ..... **11-02**

(52) **U.S. Cl.** ..... **D11/131; D11/157**

(58) **Field of Classification Search** ..... D11/1, D11/2, 7, 40, 41, 43, 44, 48, 75, 79, 81, 88, D11/117, 121, 131, 157; D2/400, 162, 172, D2/191, 197, 199; D3/207, 208, 211; 428/7, 428/28, 31, 39, 542.2, 542.4  
See application file for complete search history.

(56) **References Cited**

**U.S. PATENT DOCUMENTS**

D166,931 S *	6/1952	Sama	.....	D10/116
4,027,874 A *	6/1977	Buckholtz, Jr.	.....	472/137
D252,452 S *	7/1979	Fermahin	.....	D11/81
D261,251 S *	10/1981	Lange et al.	.....	D11/157
D365,040 S *	12/1995	Whitman	.....	D11/131
D366,505 S *	1/1996	Dowdy et al.	.....	D21/399

D413,542 S *	9/1999	Guarino	.....	D11/74
D436,065 S *	1/2001	Peng	.....	D12/162
D451,426 S *	12/2001	Fitzpatrick et al.	.....	D11/81
D503,850 S *	4/2005	Staab	.....	D3/211
2005/0126510 A1 *	6/2005	O'Neill	.....	119/771

\* cited by examiner

*Primary Examiner*—Catherine Tuttle

(74) *Attorney, Agent, or Firm*—Eric A. Hanscom

(57) **CLAIM**

The ornamental design for a decorative sculpture of two nuts, as shown.

**DESCRIPTION**

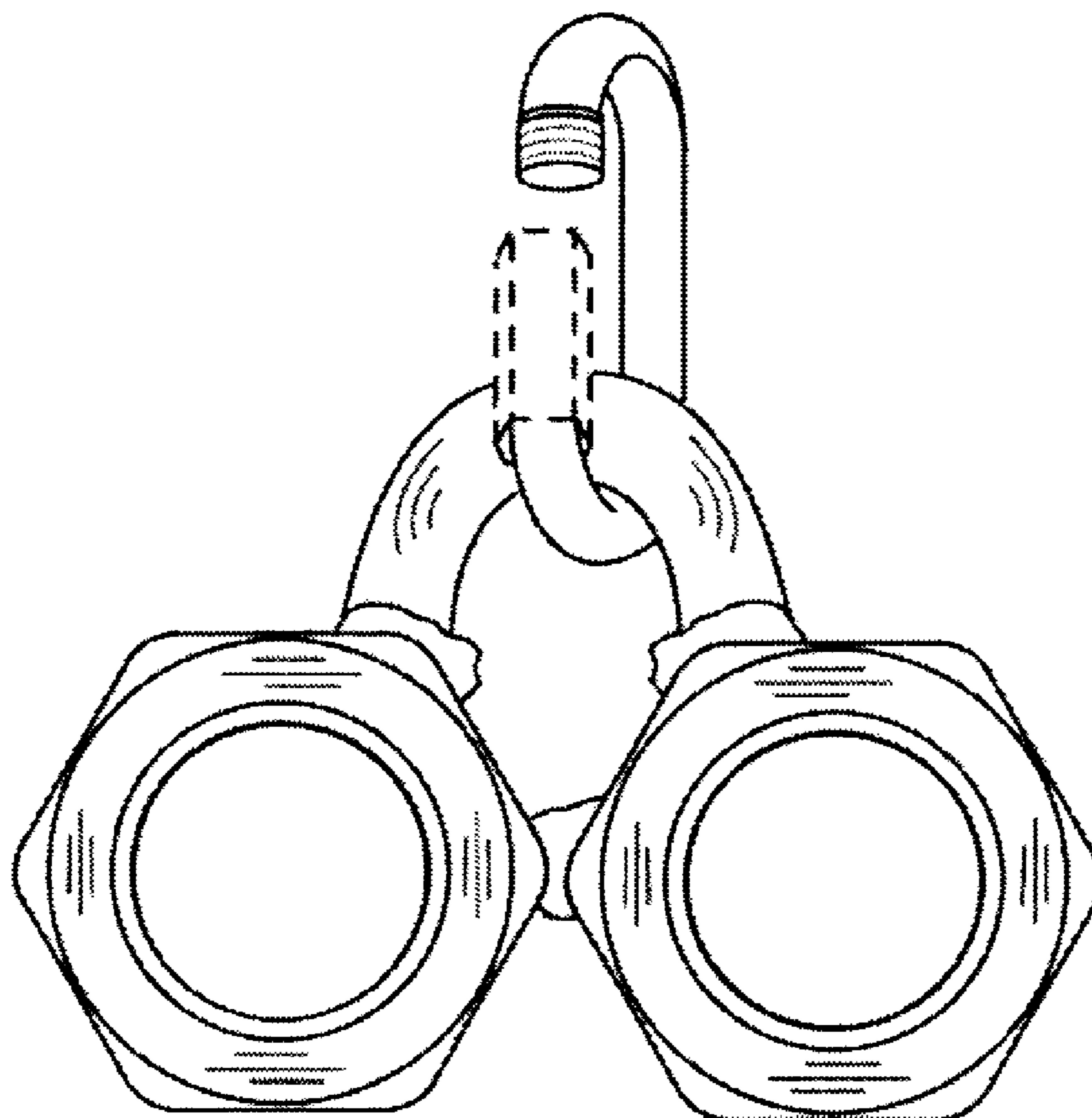
FIG. 1 is a front view of a decorative sculpture of two nuts showing my new design;

FIG. 2 is a back and right side perspective view thereof; and, FIG. 3 is a back and top perspective view thereof.

The design consists of two metal machinist's nuts welded together, a U-shaped metal band welded to the nuts; and a locking carabiner.

The broken lines are included for the purpose of illustrating portions of the sculpture that for no part of the claimed design.

**1 Claim, 1 Drawing Sheet**



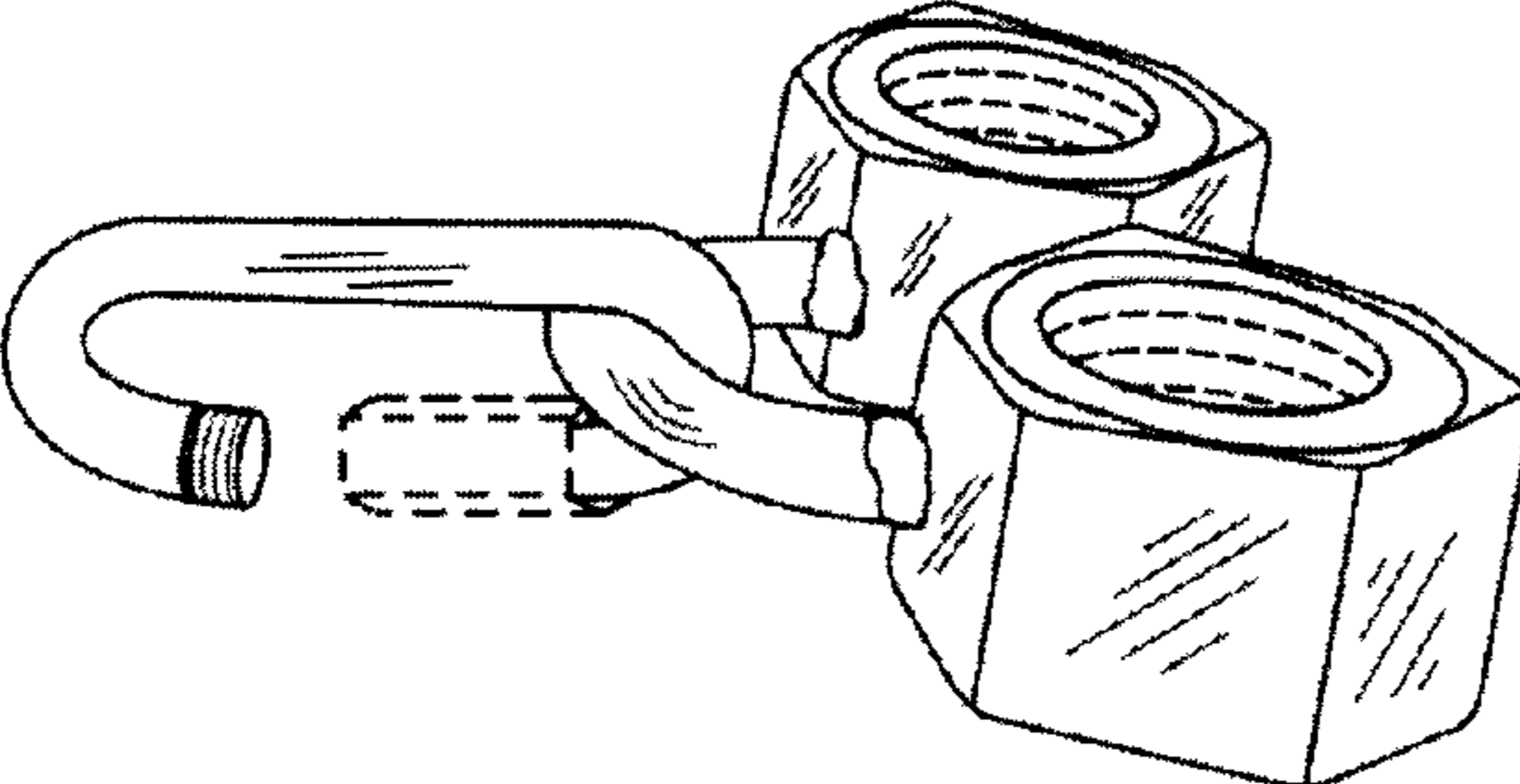


FIG. 2

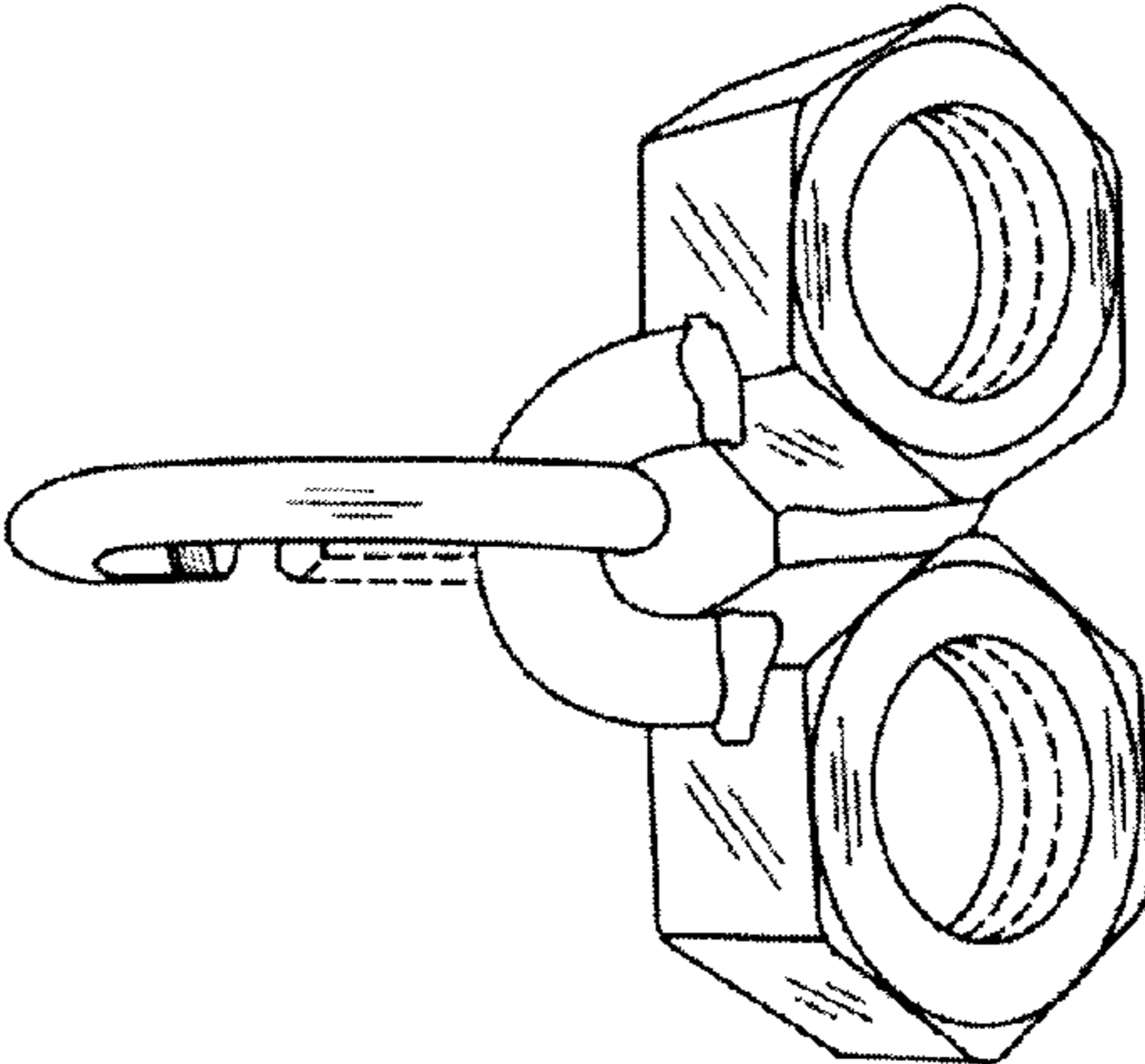


FIG. 3

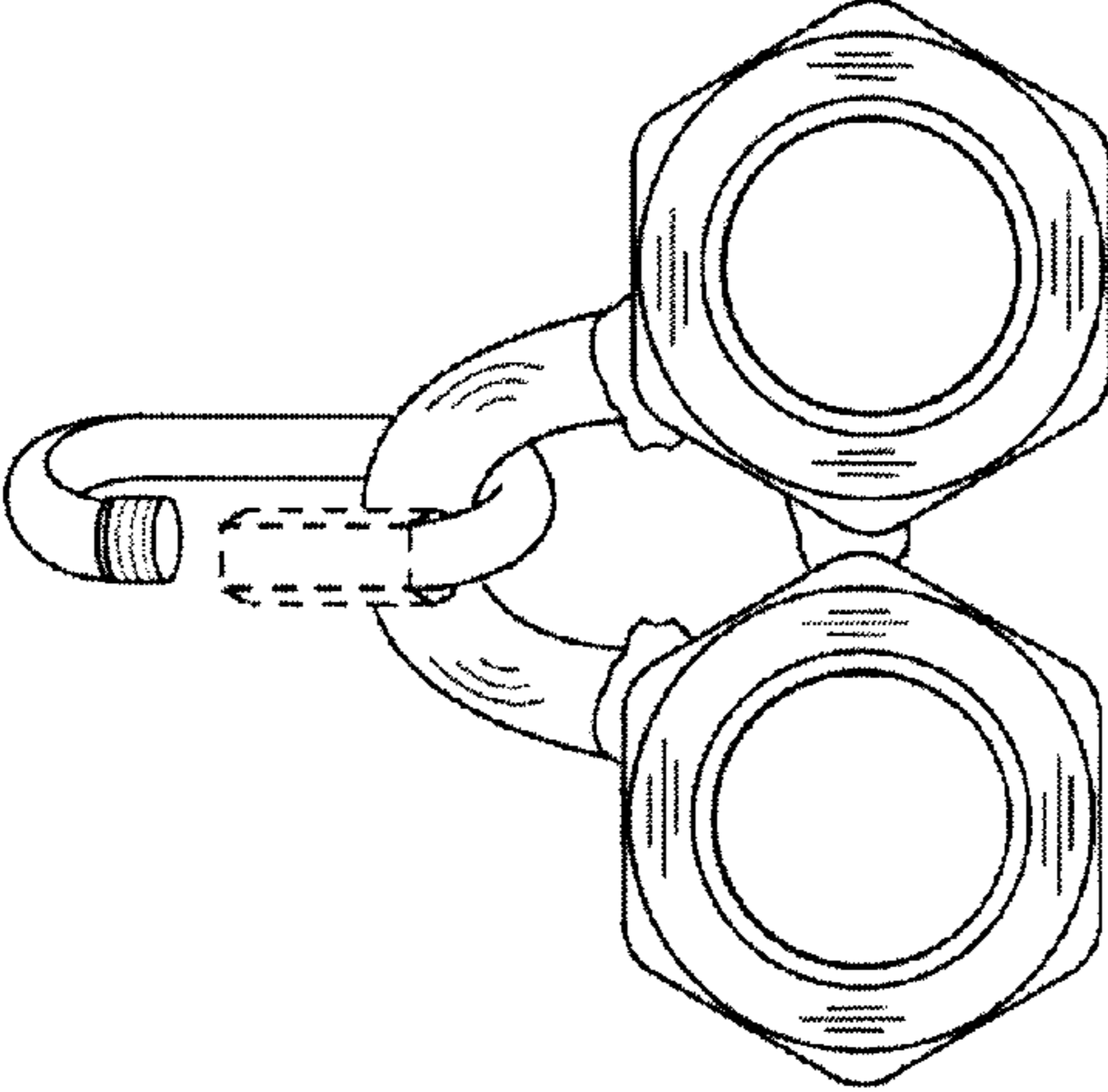


FIG. 1