



US00D580289S

(12) **United States Design Patent**  
**Bochmann et al.**

(10) **Patent No.:** **US D580,289 S**  
(45) **Date of Patent:** **\*\* Nov. 11, 2008**

(54) **TACHOMETER**

7,161,475 B2 \* 1/2007 Liu ..... 340/441  
D553,526 S \* 10/2007 Bochmann et al. .... D10/98  
D553,527 S \* 10/2007 Bochmann et al. .... D10/98

(75) Inventors: **Cherry Bochmann**, Bay Village, OH  
(US); **Joe Young**, North Royalton, OH  
(US); **Bart Ivic**, Columbia Station, OH  
(US); **Alex Shaland**, Lyndhurst, OH  
(US); **Robyn Merchant**, Richmond  
Heights, OH (US)

\* cited by examiner

*Primary Examiner*—Antoine D Davis  
(74) *Attorney, Agent, or Firm*—Baker & Hostetler LLP

(73) Assignee: **SPX Corporation**, Charlotte, NC (US)

(57) **CLAIM**

(\*\*) Term: **14 Years**

The ornamental design for the tachometer, as shown and described.

(21) Appl. No.: **29/297,544**

**DESCRIPTION**

(22) Filed: **Nov. 13, 2007**

FIG. 1 is a perspective view of the tachometer, particularly showing the inventive design thereof;

(51) **LOC (8) Cl.** ..... **10-04**

FIG. 2 is a front view thereof;

(52) **U.S. Cl.** ..... **D10/98**

FIG. 3 is a back view thereof;

(58) **Field of Classification Search** ..... D10/98;  
16/334; 324/160, 161, 169, 174, 262; 340/439,  
340/441, 456, 461

FIG. 4 is a top view thereof;

FIG. 5 is a bottom view thereof;

See application file for complete search history.

FIG. 6 is a right side view thereof; and,

FIG. 7 is a left side view thereof.

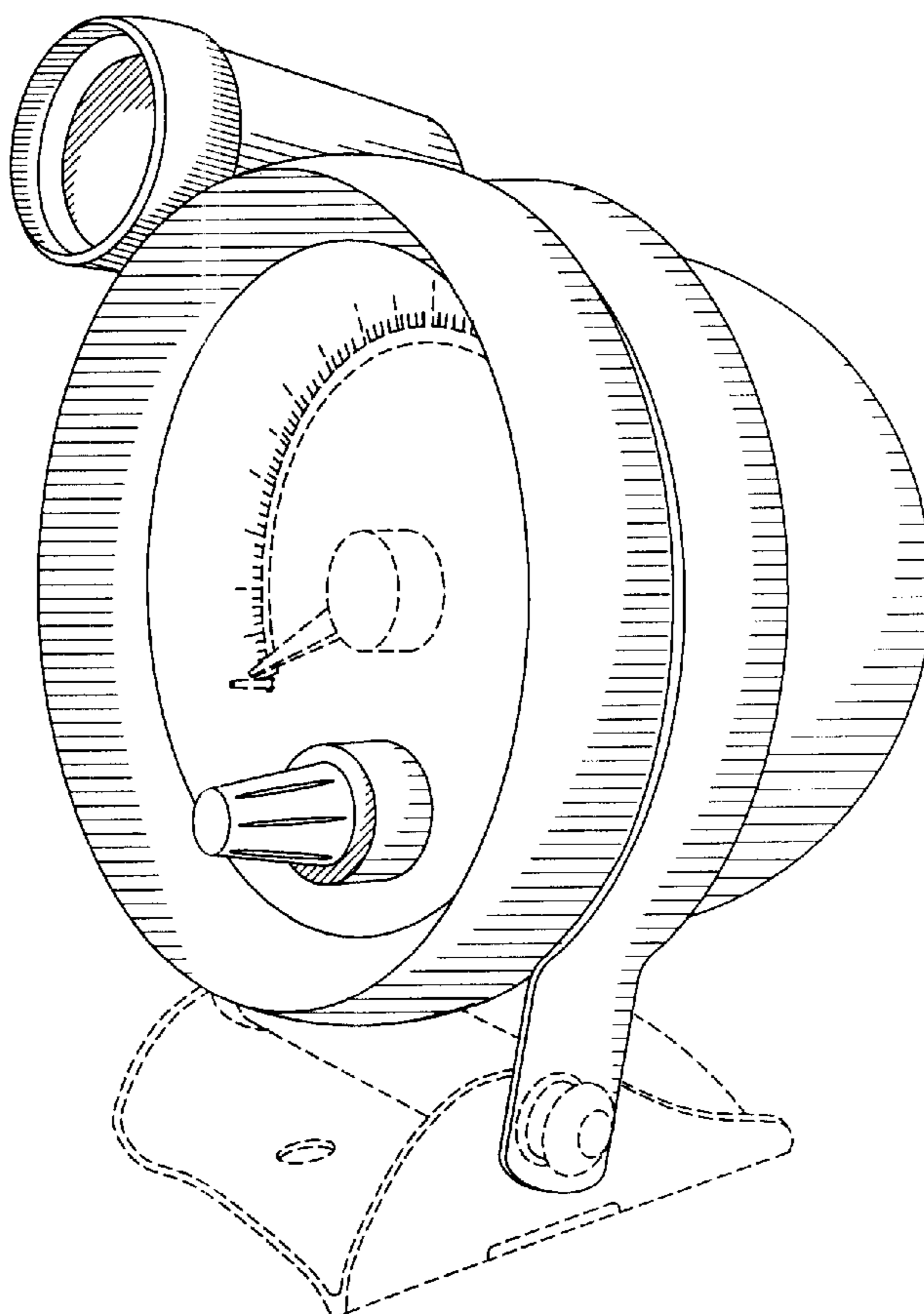
(56) **References Cited**

In all the figures, the broken lines are for illustrative purposes only and form no part of the claimed design.

**U.S. PATENT DOCUMENTS**

5,905,374 A \* 5/1999 Westberg et al. .... 324/160  
6,710,718 B2 \* 3/2004 Rose ..... 340/815.4

**1 Claim, 4 Drawing Sheets**



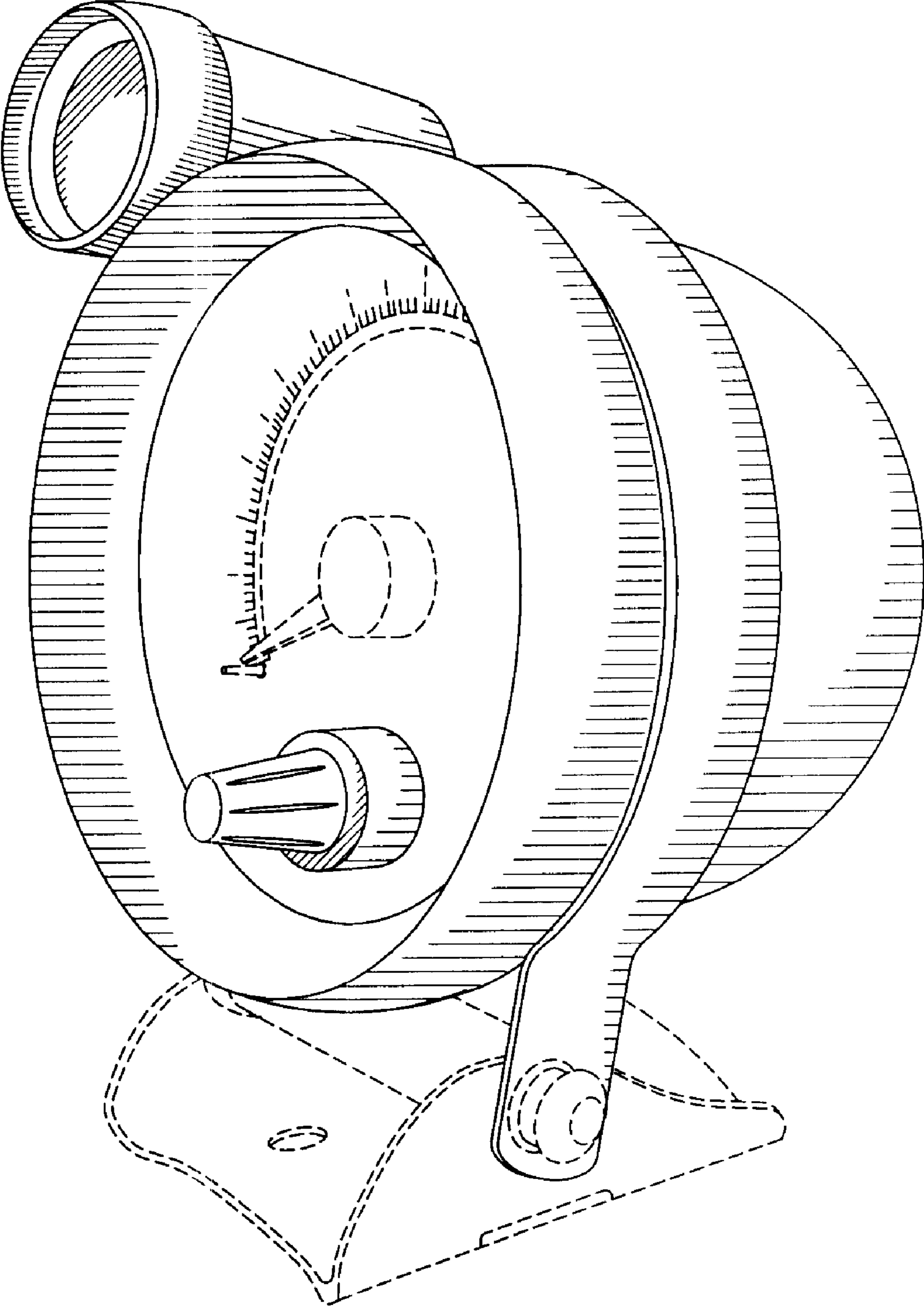


FIG. 1

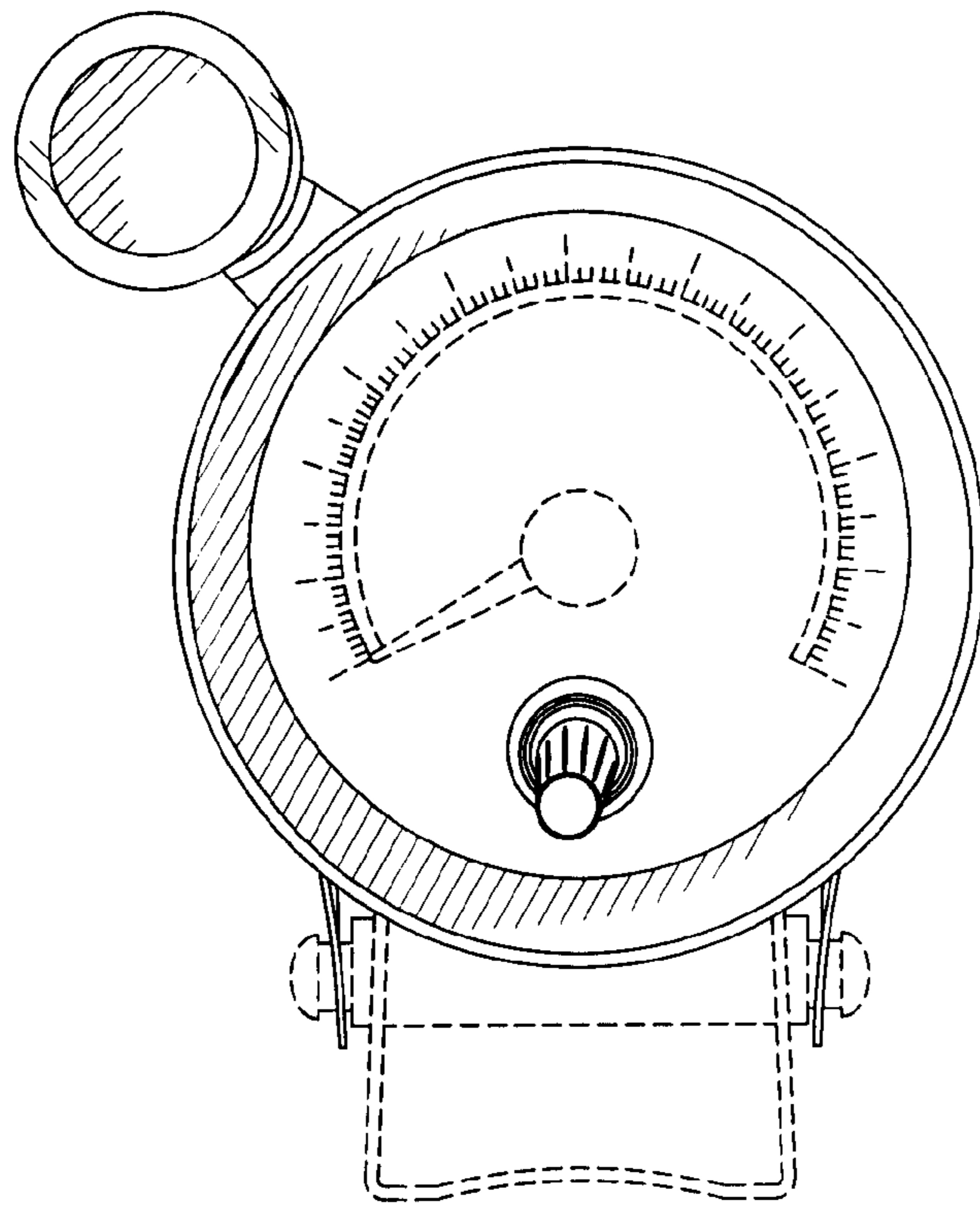


FIG. 2

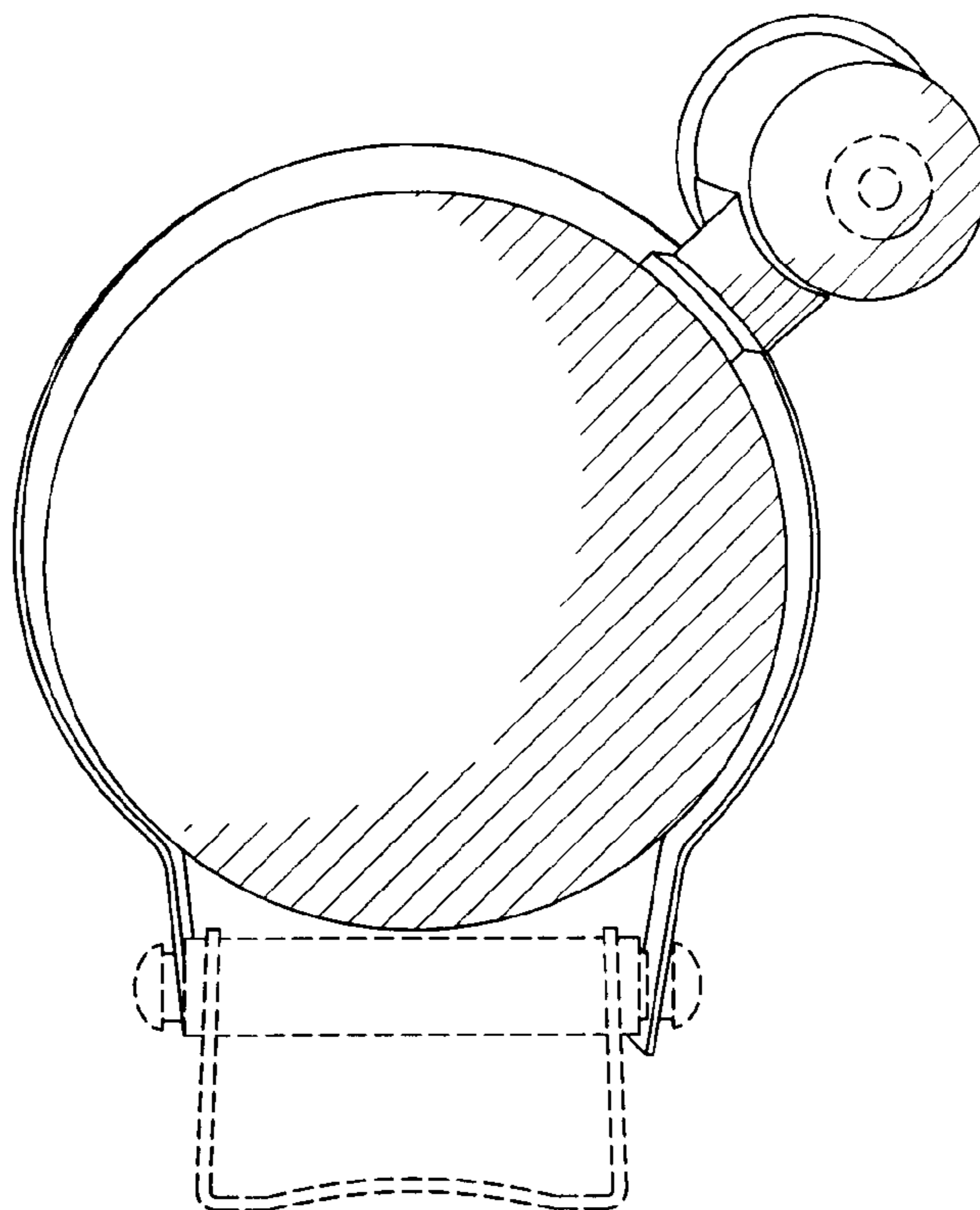


FIG. 3

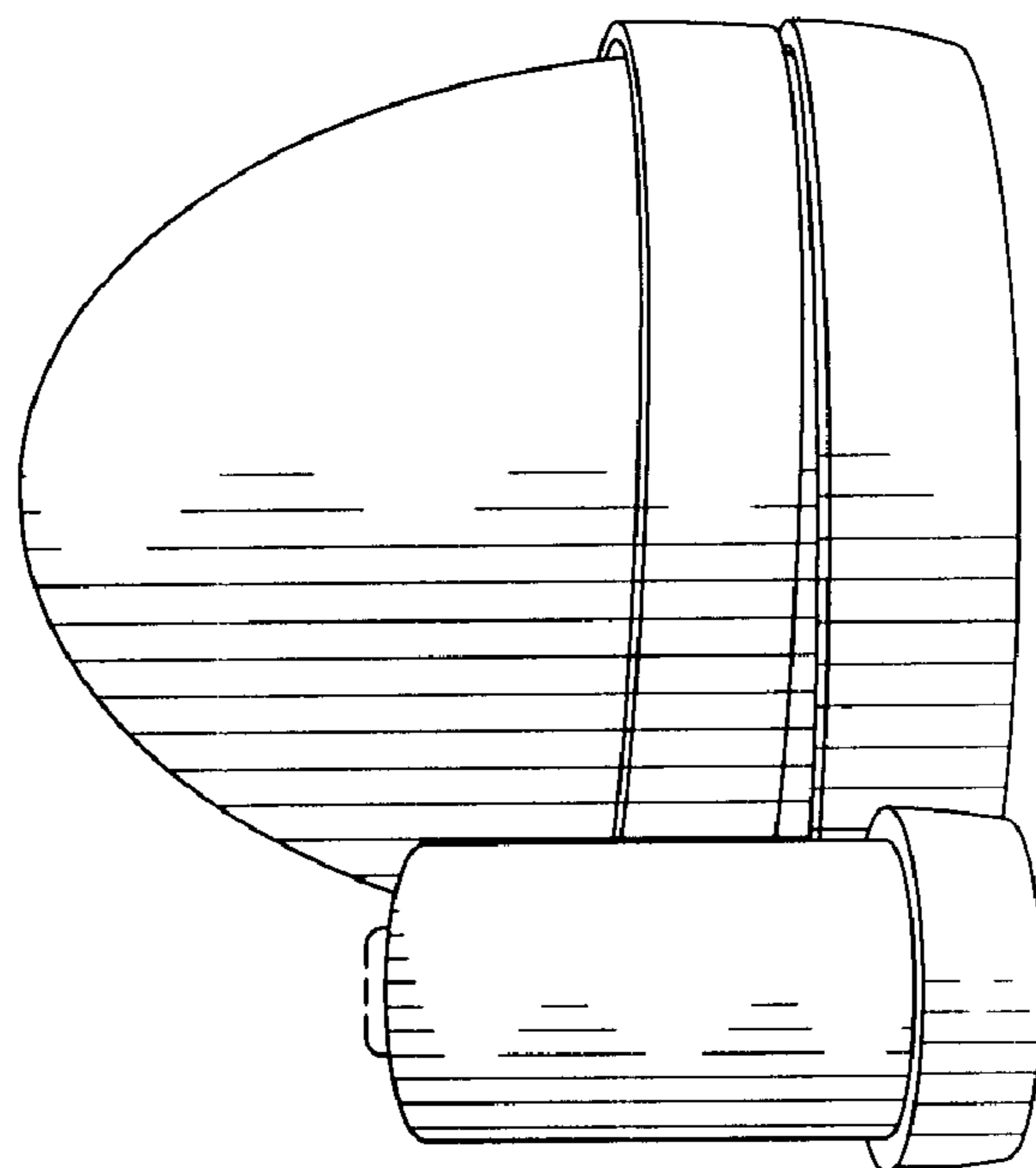


FIG. 4

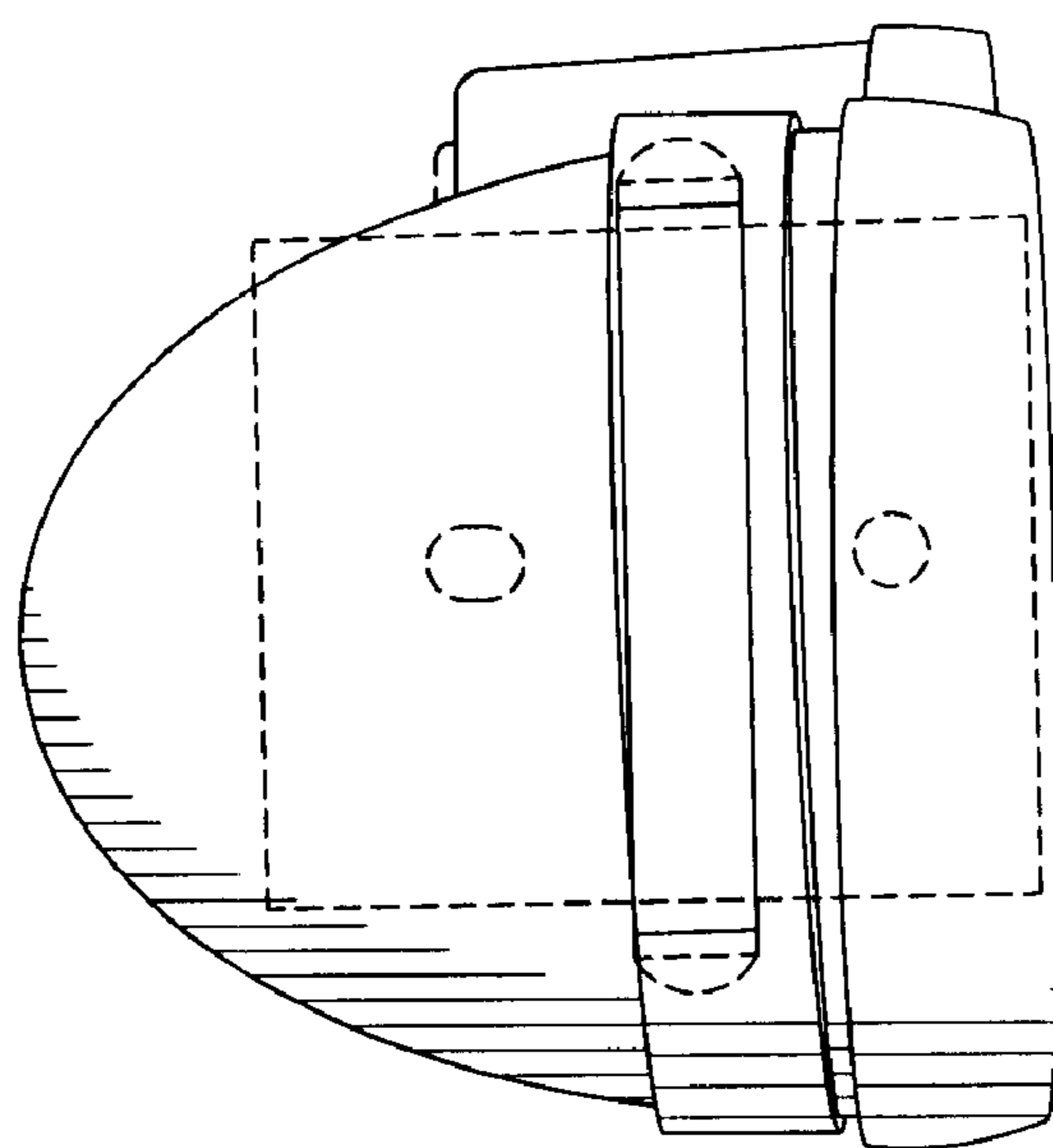


FIG. 5

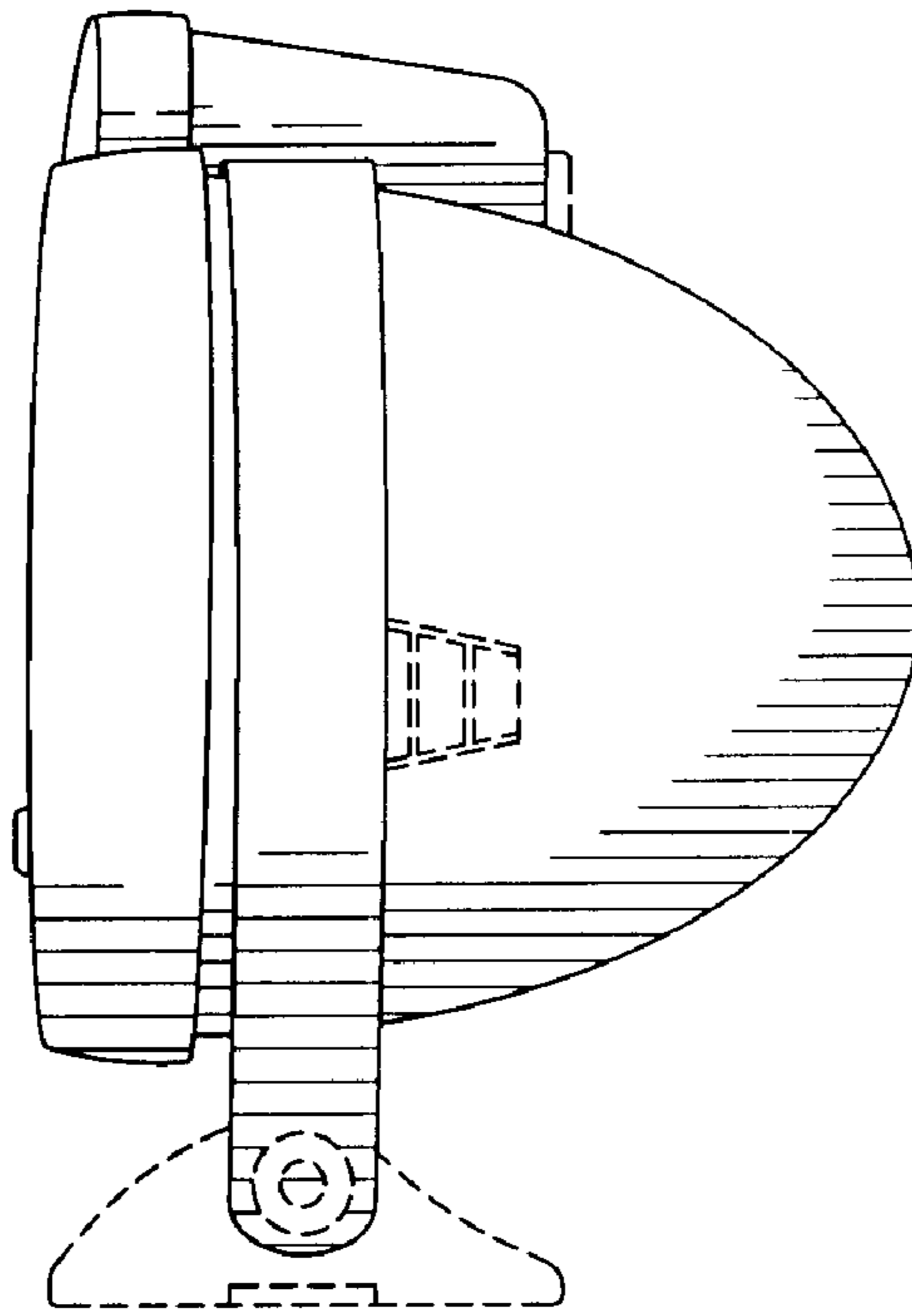


FIG. 6

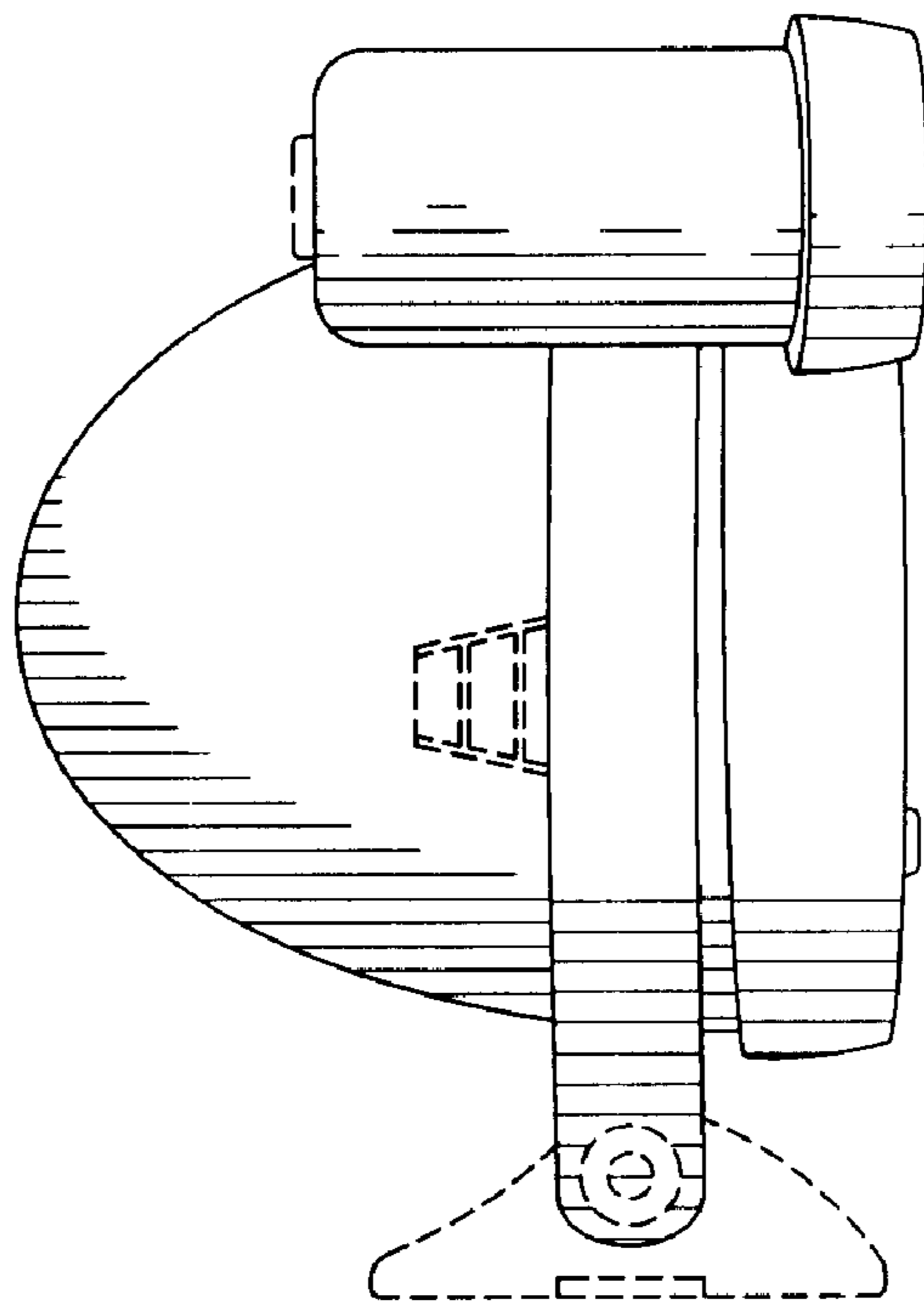


FIG. 7