



US00D580288S

(12) **United States Design Patent**
Bochmann et al.

(10) **Patent No.:** **US D580,288 S**

(45) **Date of Patent:** **** Nov. 11, 2008**

(54) **TACHOMETER**

7,161,475 B2 * 1/2007 Liu 340/441
D553,526 S * 10/2007 Bochmann et al. D10/98
D553,527 S * 10/2007 Bochmann et al. D10/98

(75) Inventors: **Cherry Bochmann**, Bay Village, OH
(US); **Joe Young**, North Royalton, OH
(US); **Bart Ivic**, Columbia Station, OH
(US); **Alex Shaland**, Lyndhurst, OH
(US); **Robyn Merchant**, Richmond
Heights, OH (US)

* cited by examiner

Primary Examiner—Antoine D Davis
(74) *Attorney, Agent, or Firm*—Baker & Hostetler LLP

(73) Assignee: **SPX Corporation**, Charlotte, NC (US)

(**) Term: **14 Years**

(21) Appl. No.: **29/297,542**

(22) Filed: **Nov. 13, 2007**

(51) **LOC (8) Cl.** **10-04**

(52) **U.S. Cl.** **D10/98**

(58) **Field of Classification Search** D10/98;
16/334; 324/160, 161, 169, 174, 262; 340/439,
340/441, 456, 461

See application file for complete search history.

(56) **References Cited**

U.S. PATENT DOCUMENTS

5,905,374 A * 5/1999 Westberg et al. 324/160
6,710,718 B2 * 3/2004 Rose 340/815.4

(57) **CLAIM**

The ornamental design for the tachometer, as shown and described.

DESCRIPTION

FIG. 1 is a perspective view of the tachometer, particularly showing the inventive design thereof;

FIG. 2 is a front view thereof;

FIG. 3 is a back view thereof;

FIG. 4 is a top view thereof;

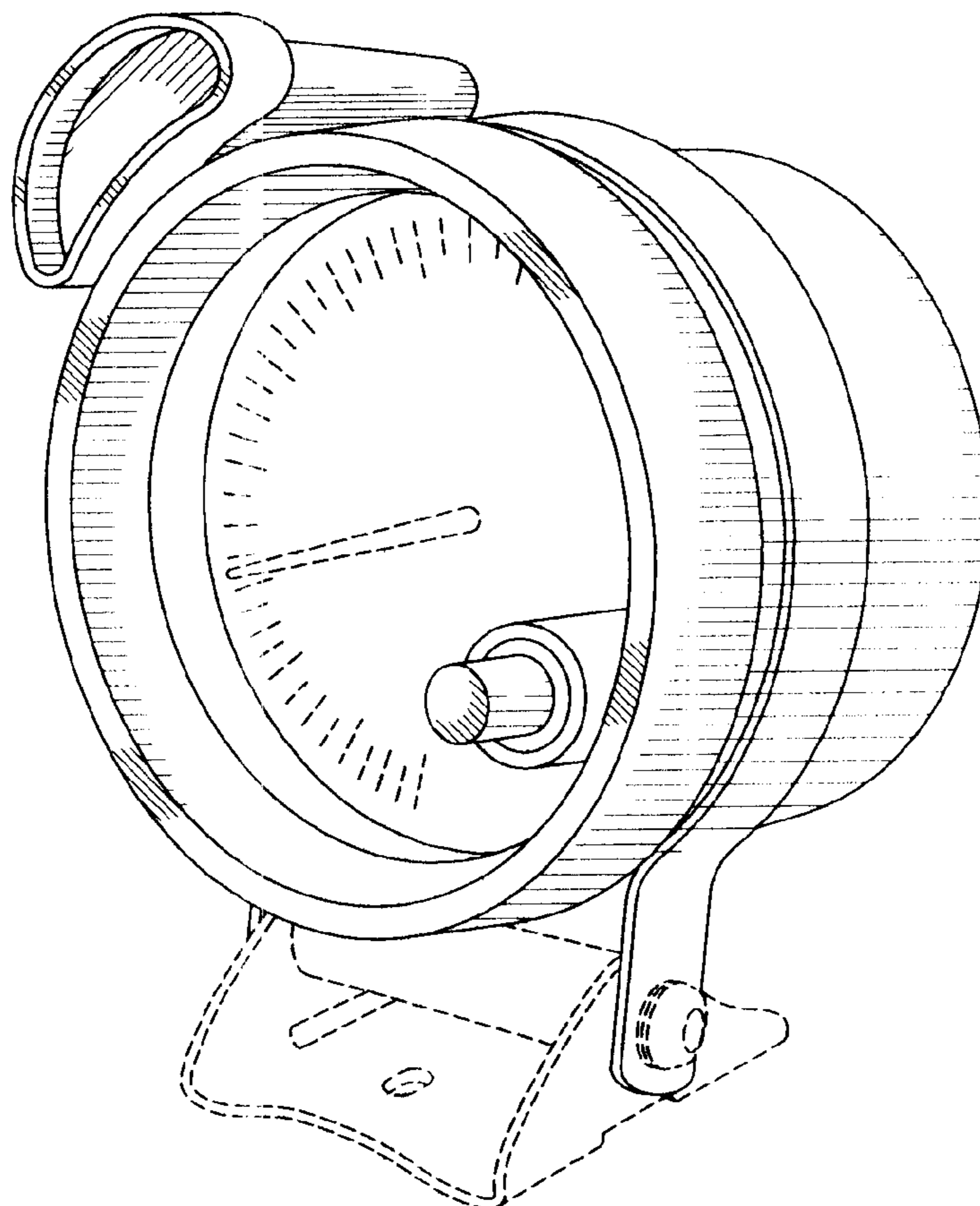
FIG. 5 is a bottom view thereof;

FIG. 6 is a right side view thereof; and,

FIG. 7 is a left side view thereof.

In all the figures, the broken lines are for illustrative purposes only and form no part of the claimed design.

1 Claim, 4 Drawing Sheets



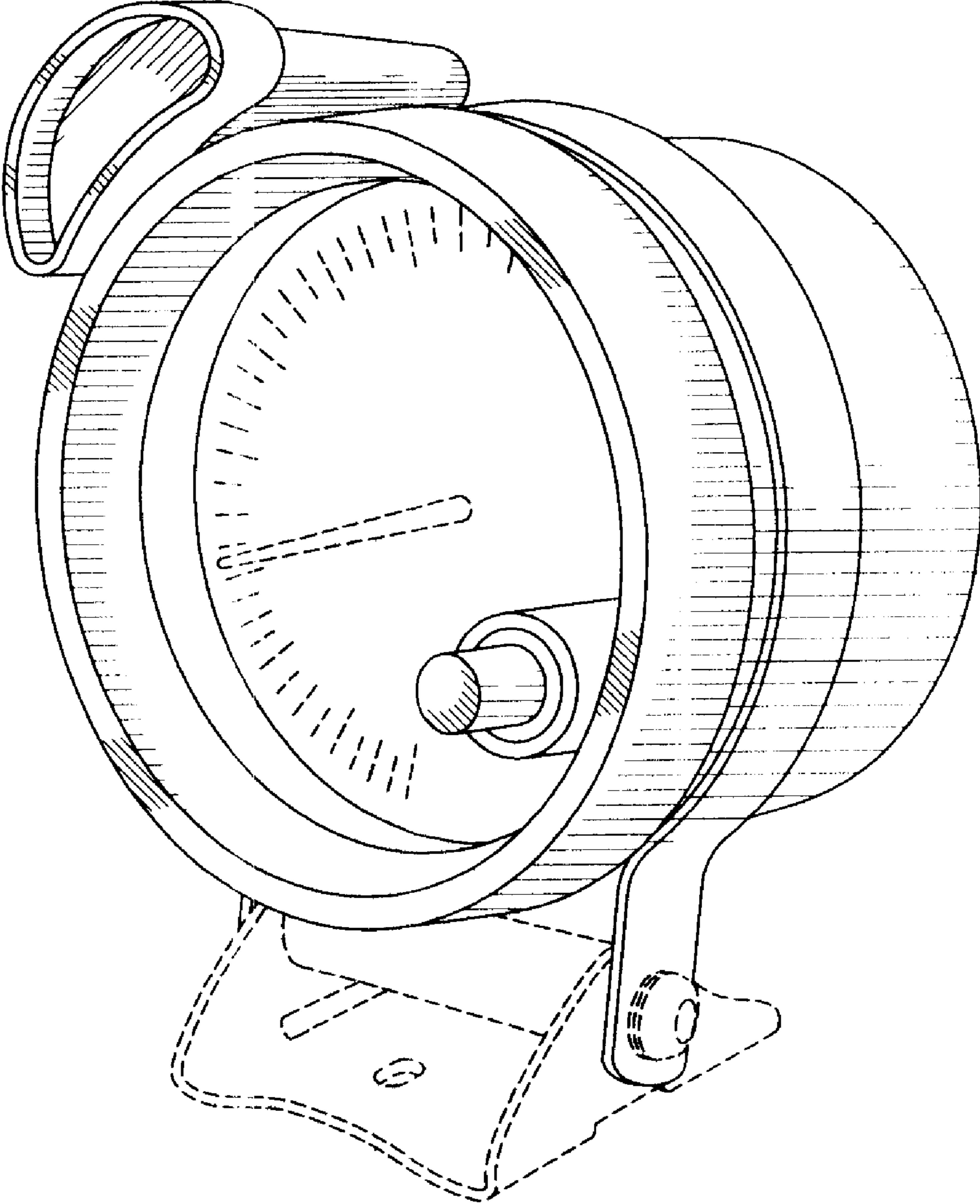


FIG. 1

FIG. 2

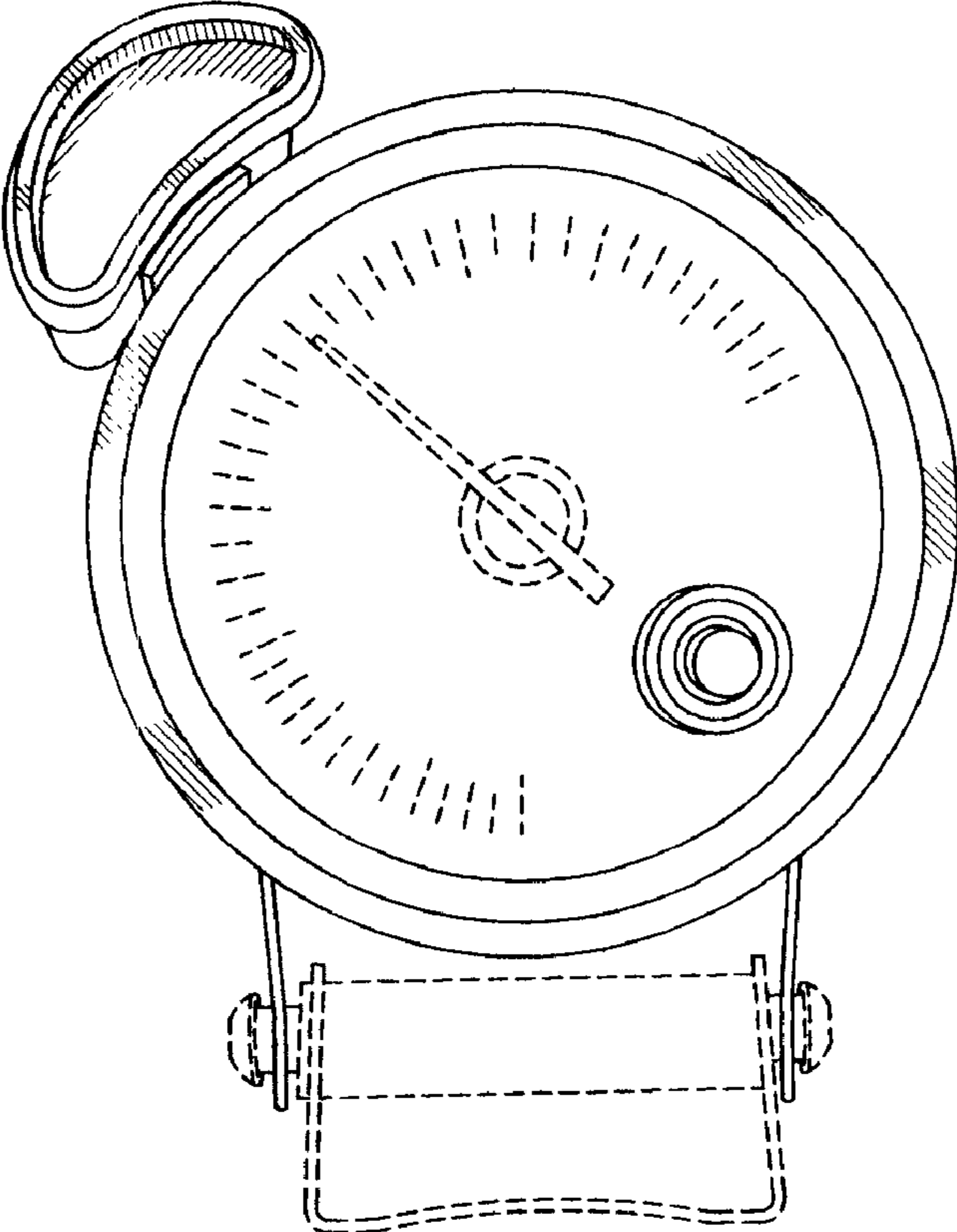
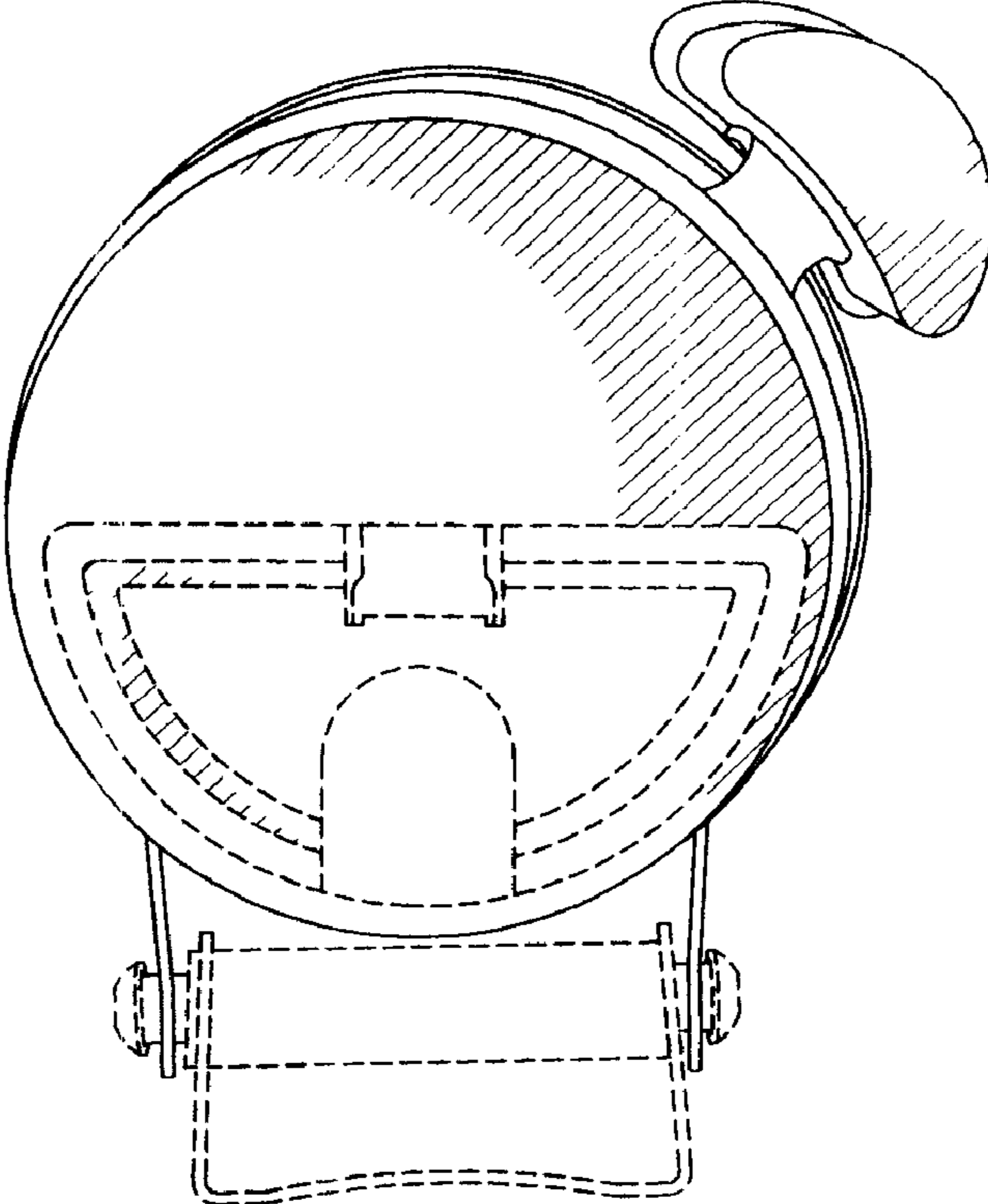


FIG. 3



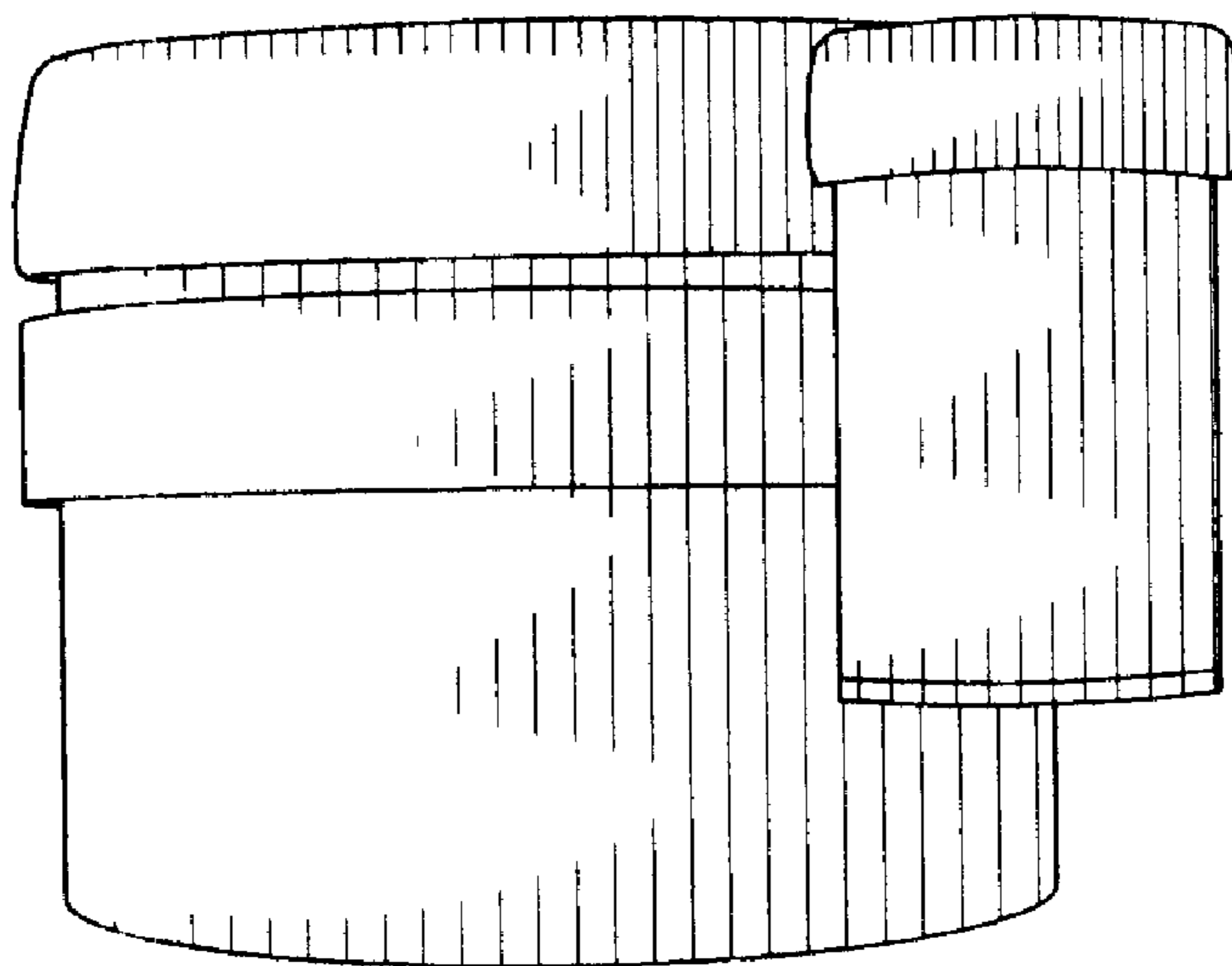


FIG. 4

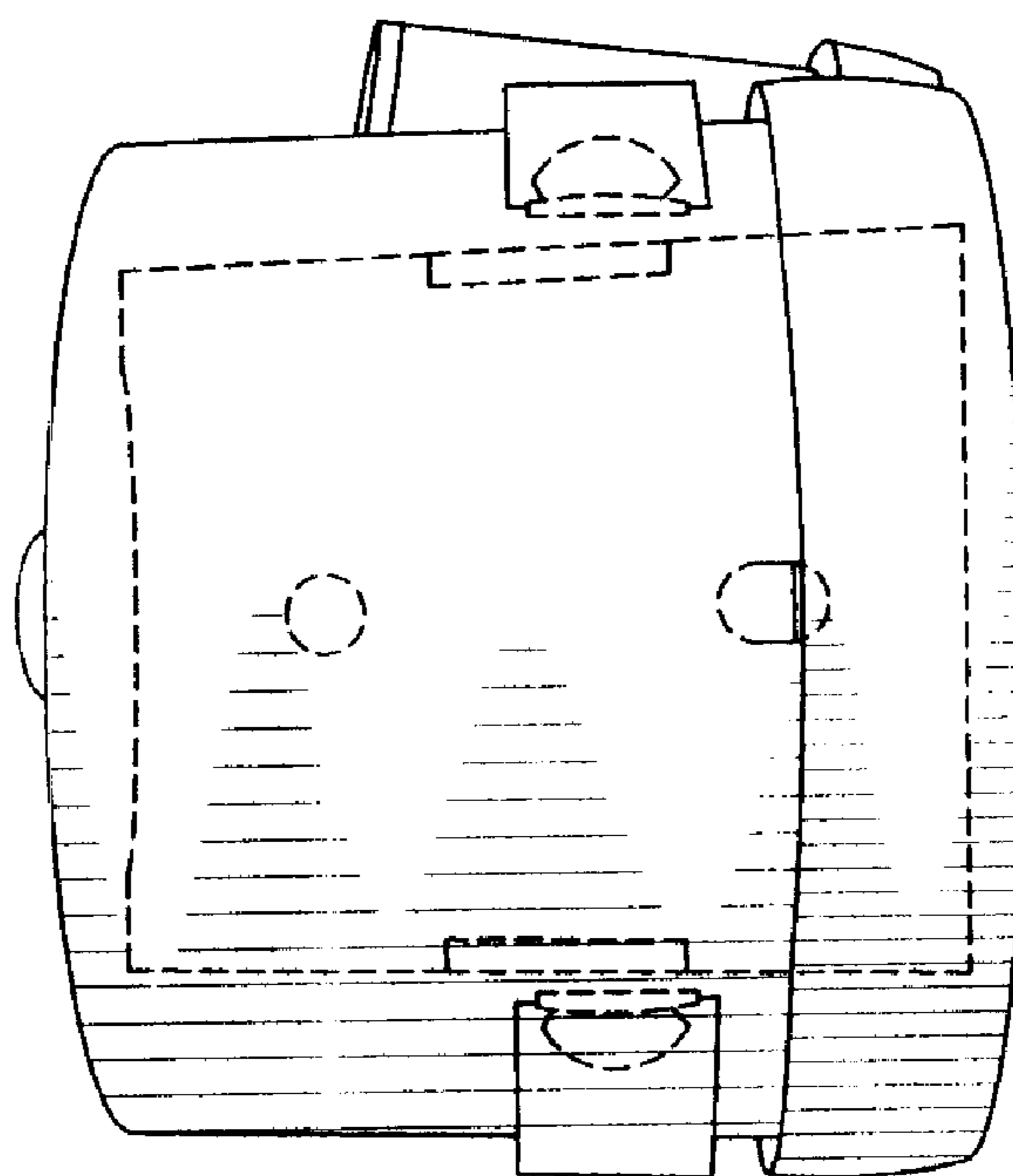


FIG. 5

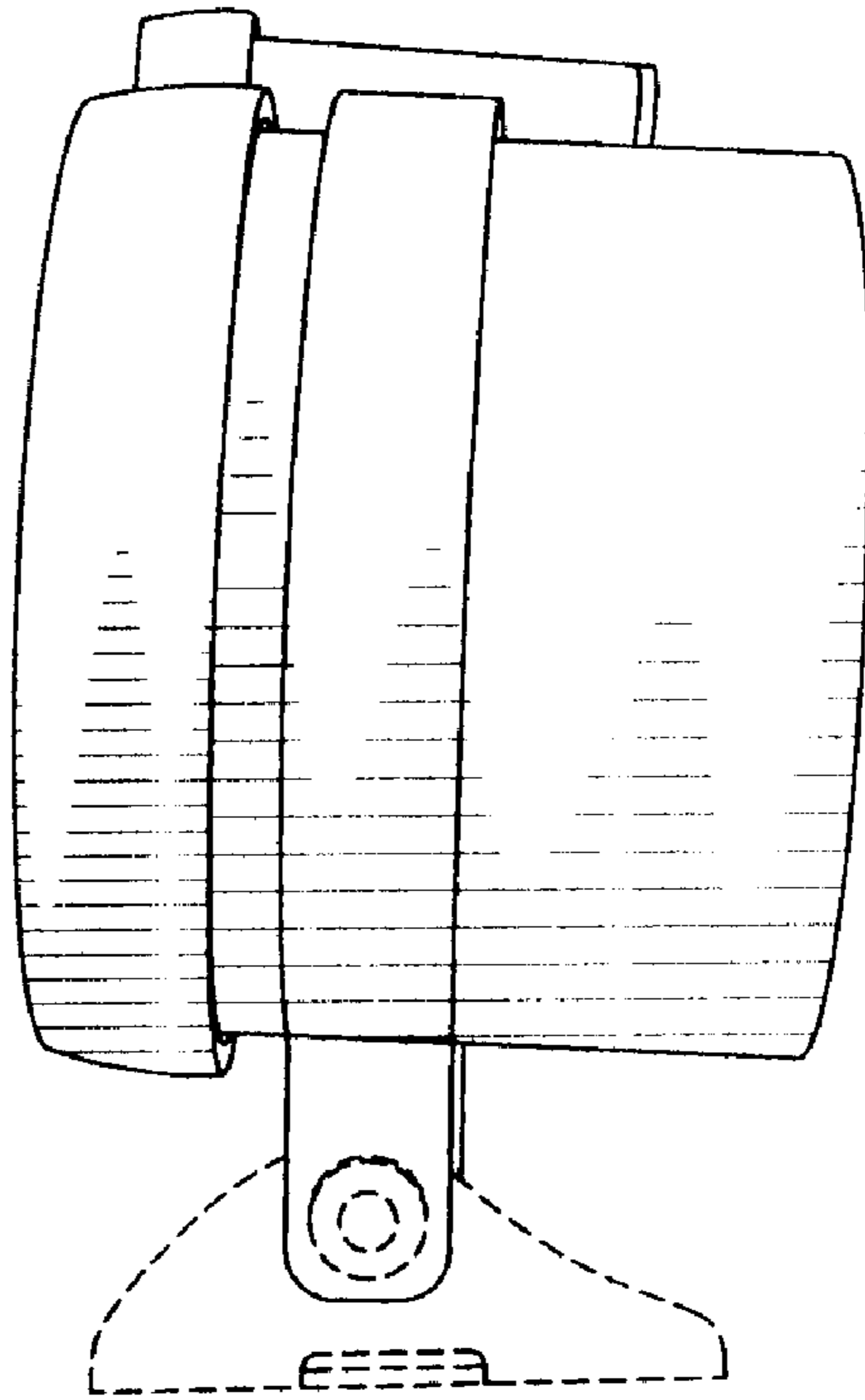


FIG. 6

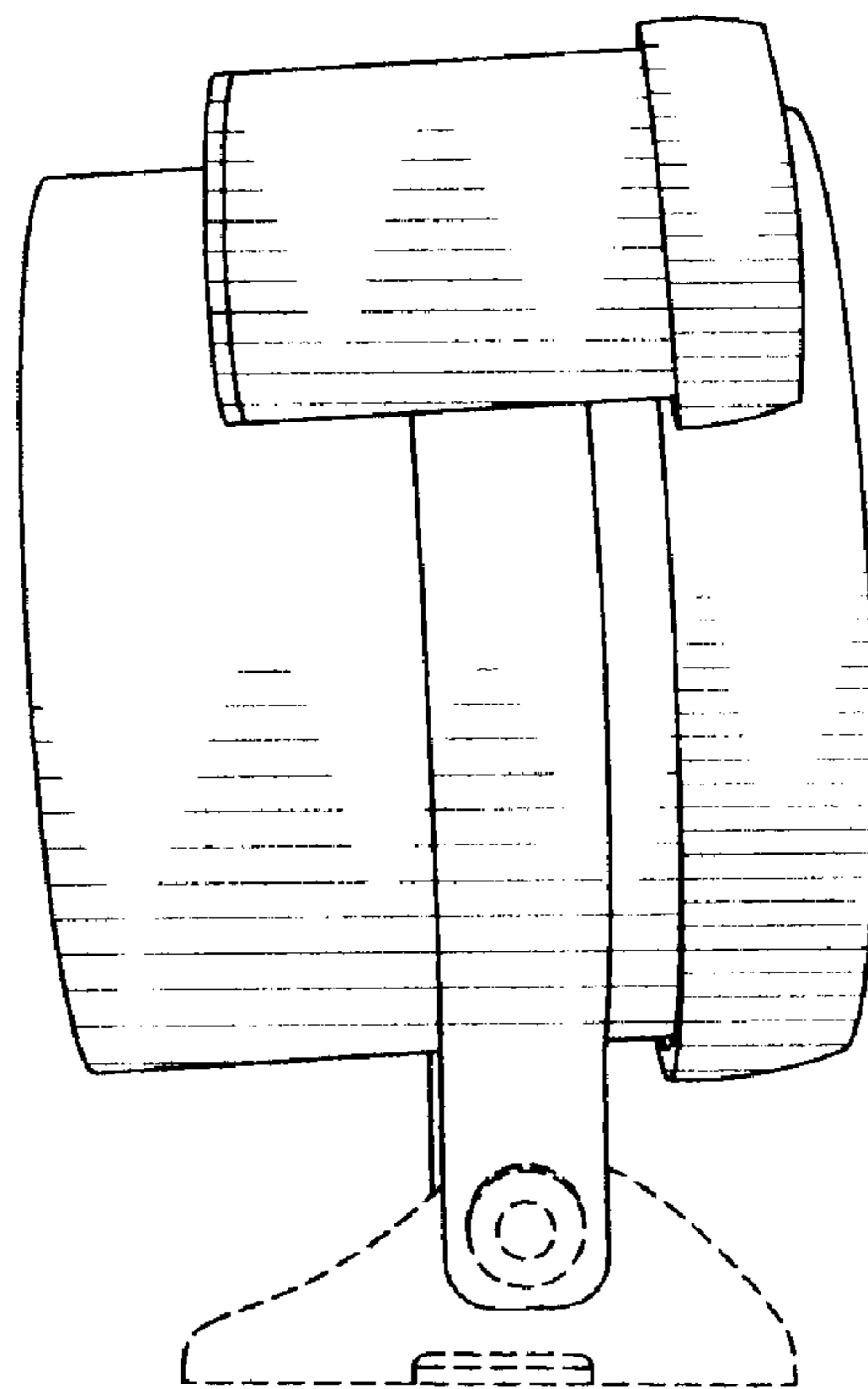


FIG. 7