



US00D580283S

(12) **United States Design Patent**
Liao

(10) **Patent No.:** **US D580,283 S**

(45) **Date of Patent:** **** Nov. 11, 2008**

(54) **LASER LEVEL**

(75) **Inventor:** **Wen-Hsin Liao, Ta Li (TW)**

(73) **Assignee:** **Ching Lin Industrial Co., Ltd., Ta Li (TW)**

(**) **Term:** **14 Years**

(21) **Appl. No.:** **29/298,801**

(22) **Filed:** **Dec. 13, 2007**

(51) **LOC (8) Cl.** **10-04**

(52) **U.S. Cl.** **D10/69**

(58) **Field of Classification Search** D10/69;
33/365, 366.11-366.27, 367-391
See application file for complete search history.

(56) **References Cited**

U.S. PATENT DOCUMENTS

D280,185 S *	8/1985	Wright	D10/69
D521,882 S *	5/2006	Kim	D10/69
D536,999 S *	2/2007	Chen	D10/69

* cited by examiner

Primary Examiner—Antoine D Davis

(74) *Attorney, Agent, or Firm*—Alan Kamrath; Kamrath & Associates PA

(57) **CLAIM**

The ornamental design for laser level, as shown and described.

DESCRIPTION

FIG. 1 is a perspective view of a laser level showing my new design;

FIG. 2 is a front view thereof; the opposite side being a mirror image of the shown

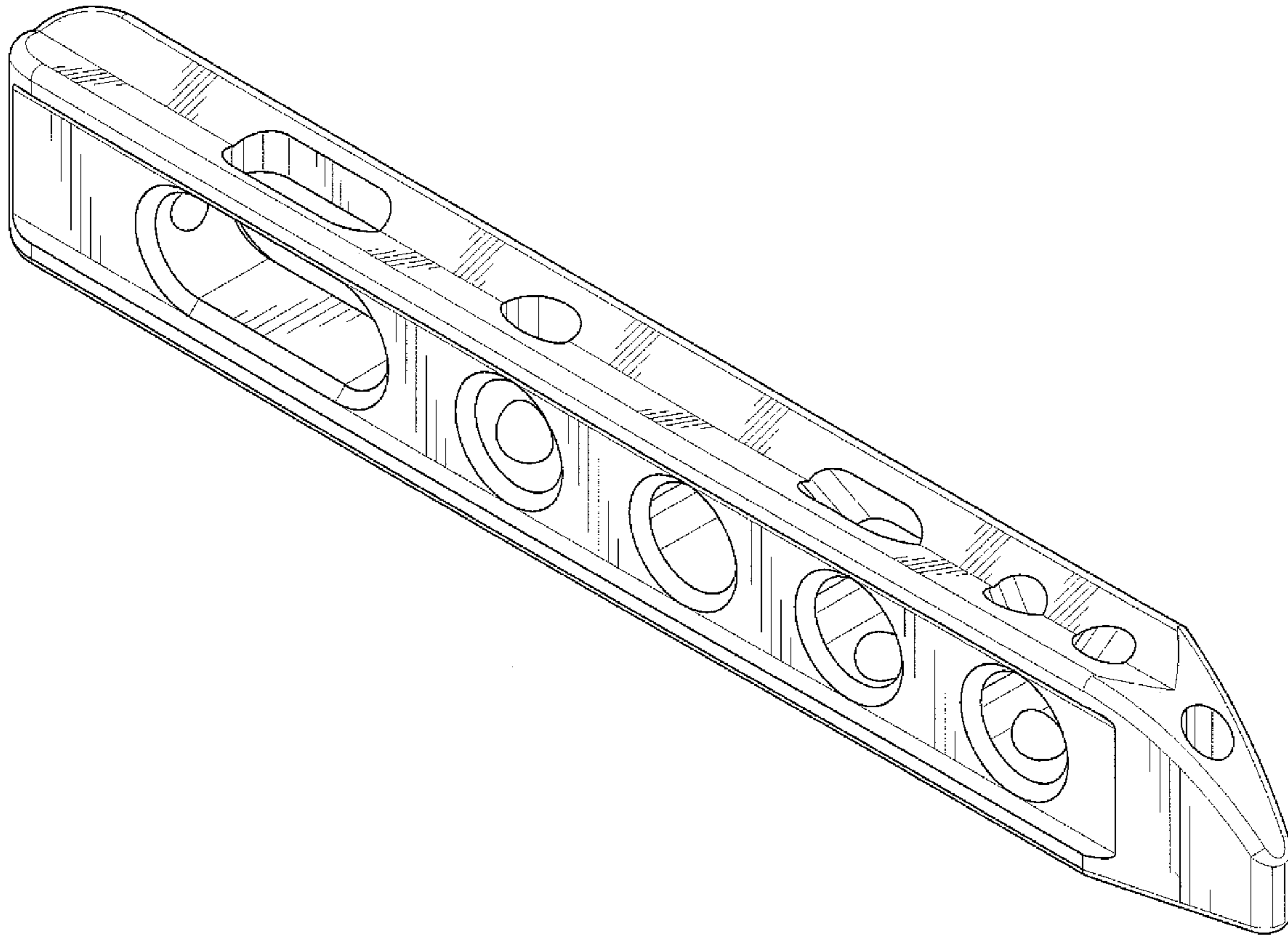
FIG. 3 is a left view thereof;

FIG. 4 is a right view thereof;

FIG. 5 is a top view thereof; and,

FIG. 6 is a bottom view thereof.

1 Claim, 3 Drawing Sheets



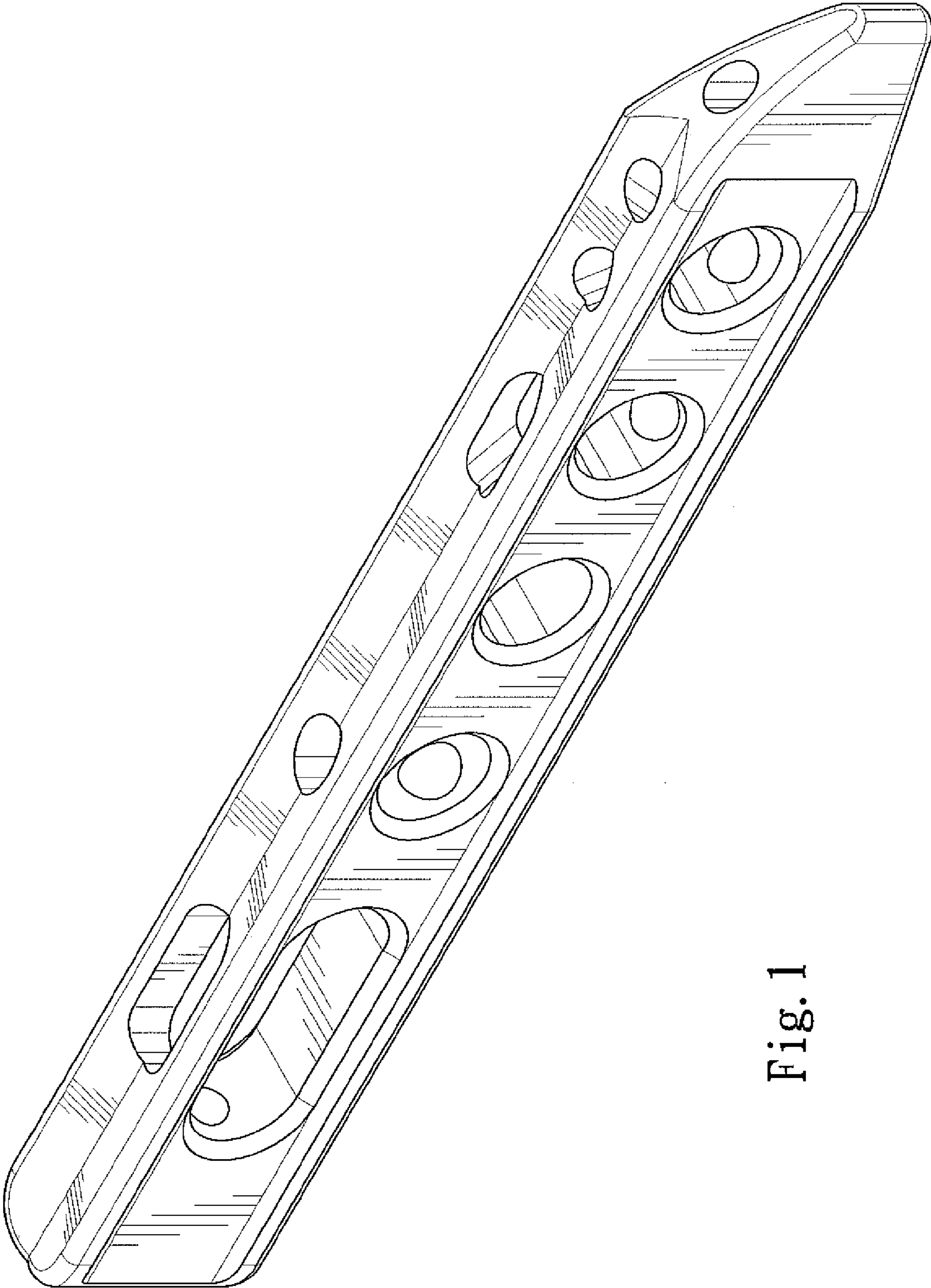


Fig. 1

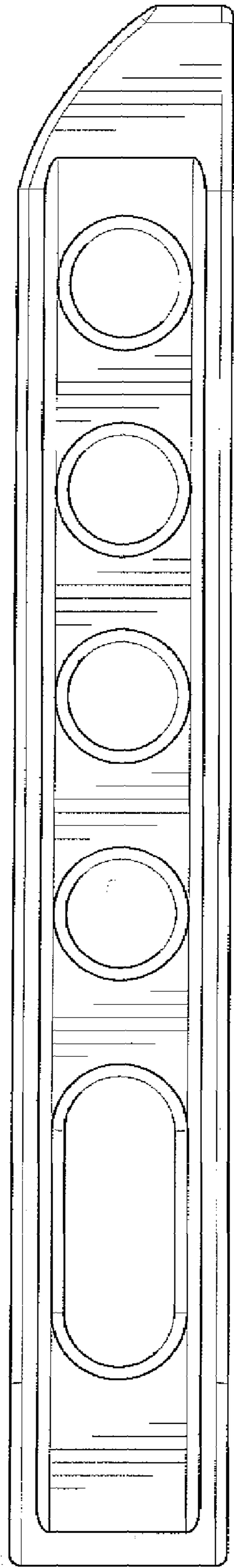


Fig. 2

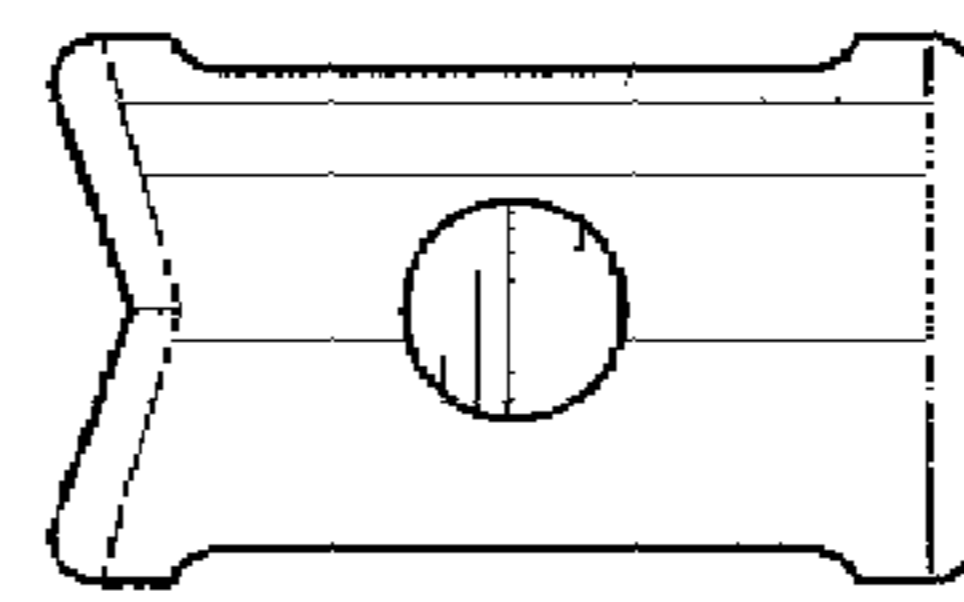


Fig. 3

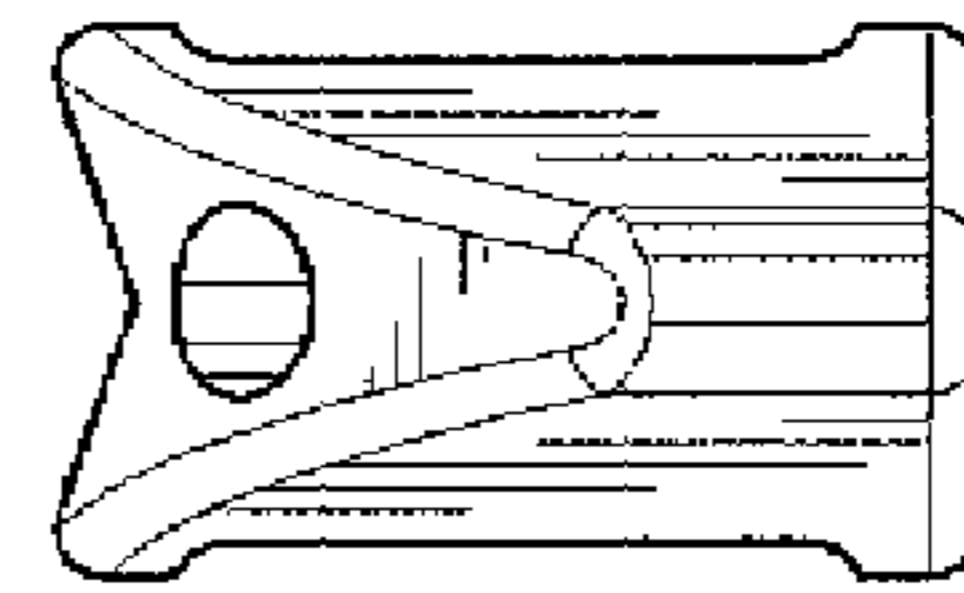


Fig. 4

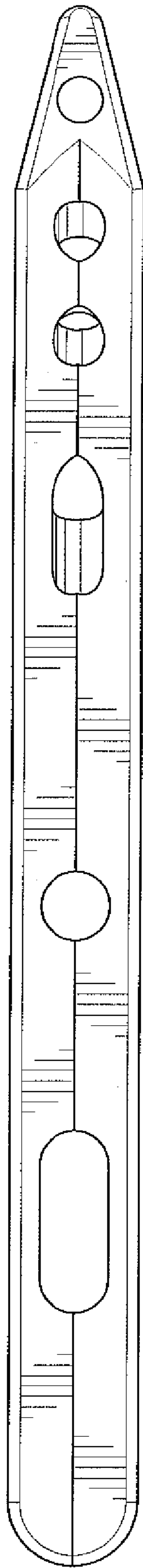


Fig. 5

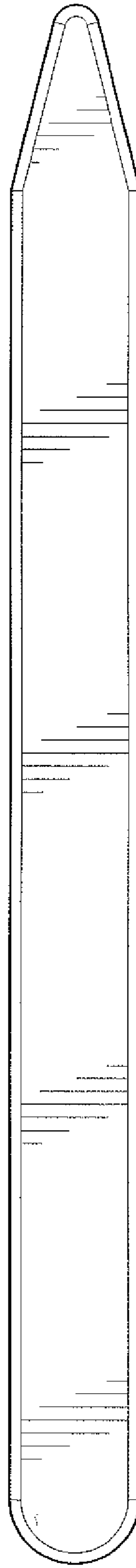


Fig. 6