



US00D580279S

(12) **United States Design Patent**  
**Wunderman**

(10) **Patent No.:** **US D580,279 S**  
(45) **Date of Patent:** **\*\* Nov. 11, 2008**

(54) **WRISTWATCH**

(75) Inventor: **Severin S. Wunderman**, Los Angeles,  
CA (US)

(73) Assignee: **Montres Corum SARL**, La  
Cheux-De-Fonds (CH)

(\*\*) Term: **14 Years**

(21) Appl. No.: **29/287,259**

(22) Filed: **Jul. 17, 2007**

(30) **Foreign Application Priority Data**

Apr. 23, 2007 (CH) ..... 133905

(51) **LOC (8) Cl.** ..... **10-02**

(52) **U.S. Cl.** ..... **D10/39**

(58) **Field of Classification Search** ..... D10/30-39,  
D10/123-126, 128; 368/276, 281, 282, 285,  
368/223, 228, 232, 80, 294, 295; 224/164;  
63/3, 3.1; D11/3

See application file for complete search history.

(56) **References Cited**

**U.S. PATENT DOCUMENTS**

D195,421 S *	6/1963	Hueguenin	.....	D10/39
4,597,673 A *	7/1986	Kihara	.....	368/80
D321,666 S *	11/1991	Burgener	.....	D10/32
D324,342 S *	3/1992	Burgener	.....	D10/32
5,226,023 A *	7/1993	Grimm	.....	368/223
D401,865 S *	12/1998	Baumann	.....	D10/32
D415,432 S *	10/1999	Cattin	.....	D10/30
D421,918 S *	3/2000	Bodino	.....	D10/32
D443,833 S *	6/2001	Lepeu et al.	.....	D10/32

D444,075 S *	6/2001	Lepeu et al.	.....	D10/32
D459,241 S *	6/2002	Bodino	.....	D10/32
D460,002 S *	7/2002	Wunderman	.....	D10/32
D473,472 S *	4/2003	Wunderman	.....	D10/32
D473,473 S *	4/2003	Wunderman	.....	D10/32
D473,474 S *	4/2003	Wunderman	.....	D10/32
6,570,823 B1 *	5/2003	Gilomen et al.	.....	368/113
D524,171 S *	7/2006	Monachon	.....	D10/32
7,154,815 B2 *	12/2006	Born et al.	.....	368/15
D538,182 S *	3/2007	Lalo	.....	D10/32
D538,184 S *	3/2007	Scheufele	.....	D10/39

\* cited by examiner

*Primary Examiner*—Lucy Lieberman

(74) *Attorney, Agent, or Firm*—Sughrue Mion, PLLC

(57) **CLAIM**

The ornamental design for a wristwatch, as shown and described.

**DESCRIPTION**

FIG. 1 is a perspective view of the front and right side of a wristwatch showing my new design;

FIG. 2 is a front elevational view thereof;

FIG. 3 is a rear elevational view thereof;

FIG. 4 is a right side view thereof;

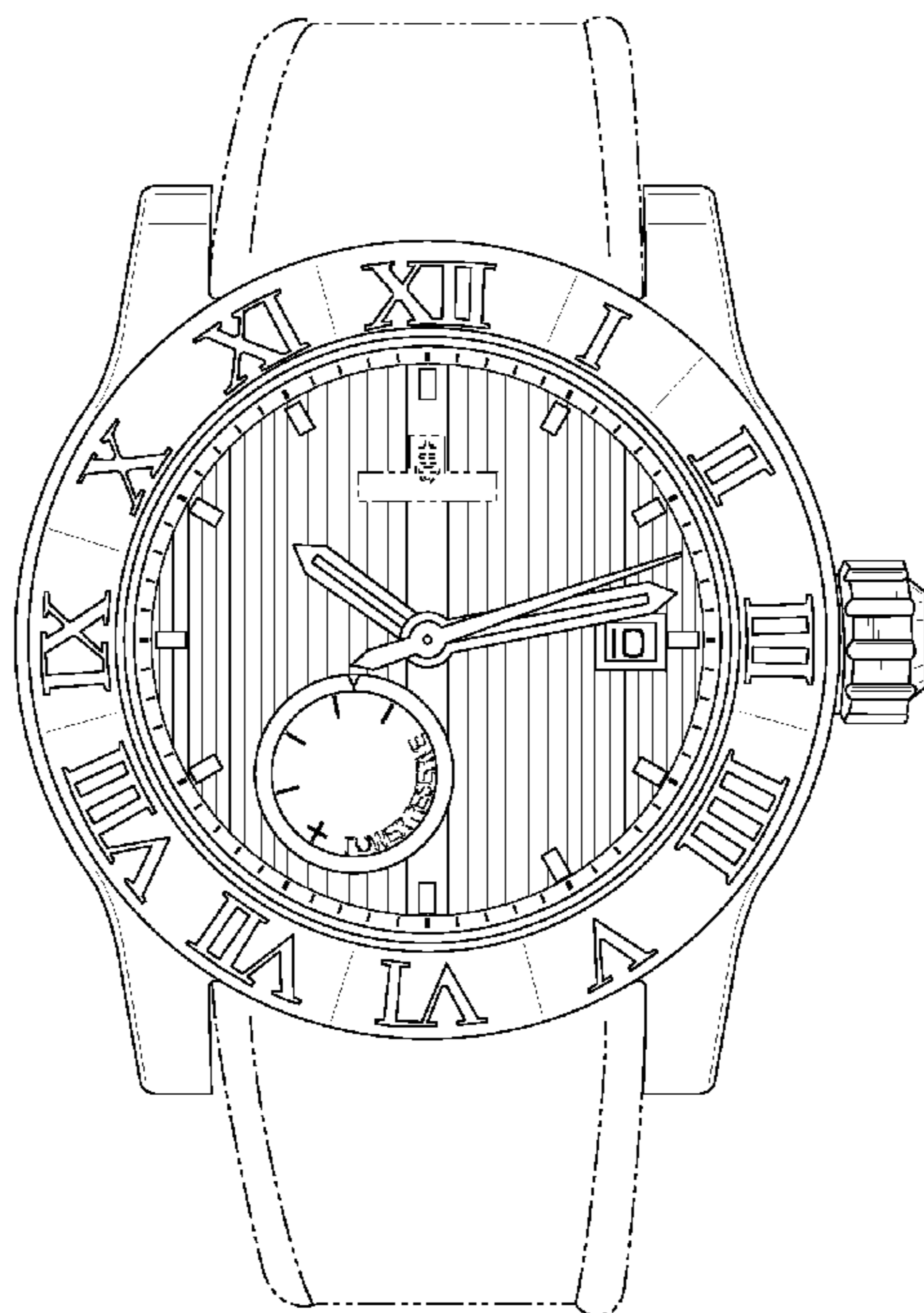
FIG. 5 is a left side view thereof;

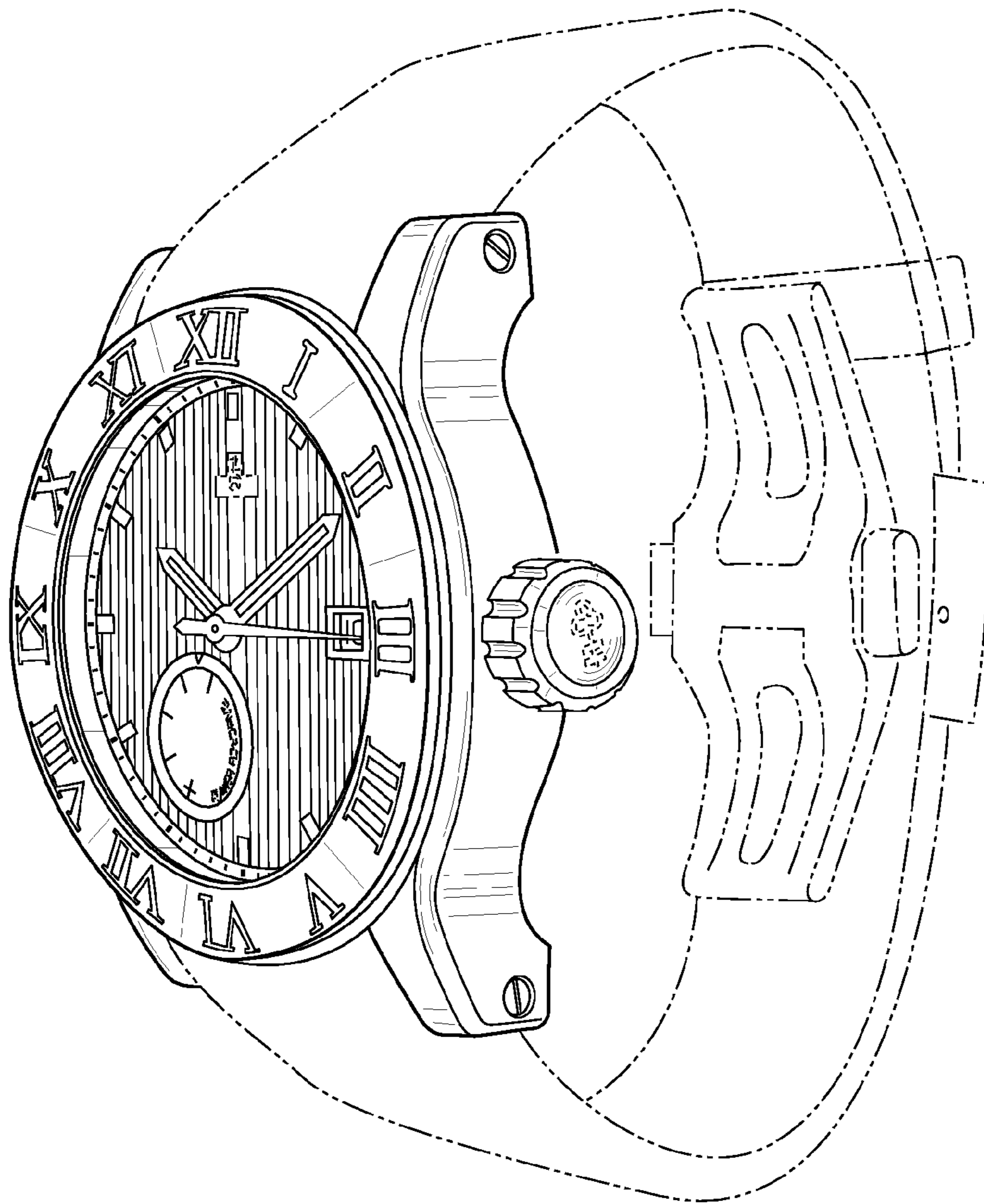
FIG. 6 is a top plan view thereof; and,

FIG. 7 is a bottom plan view thereof.

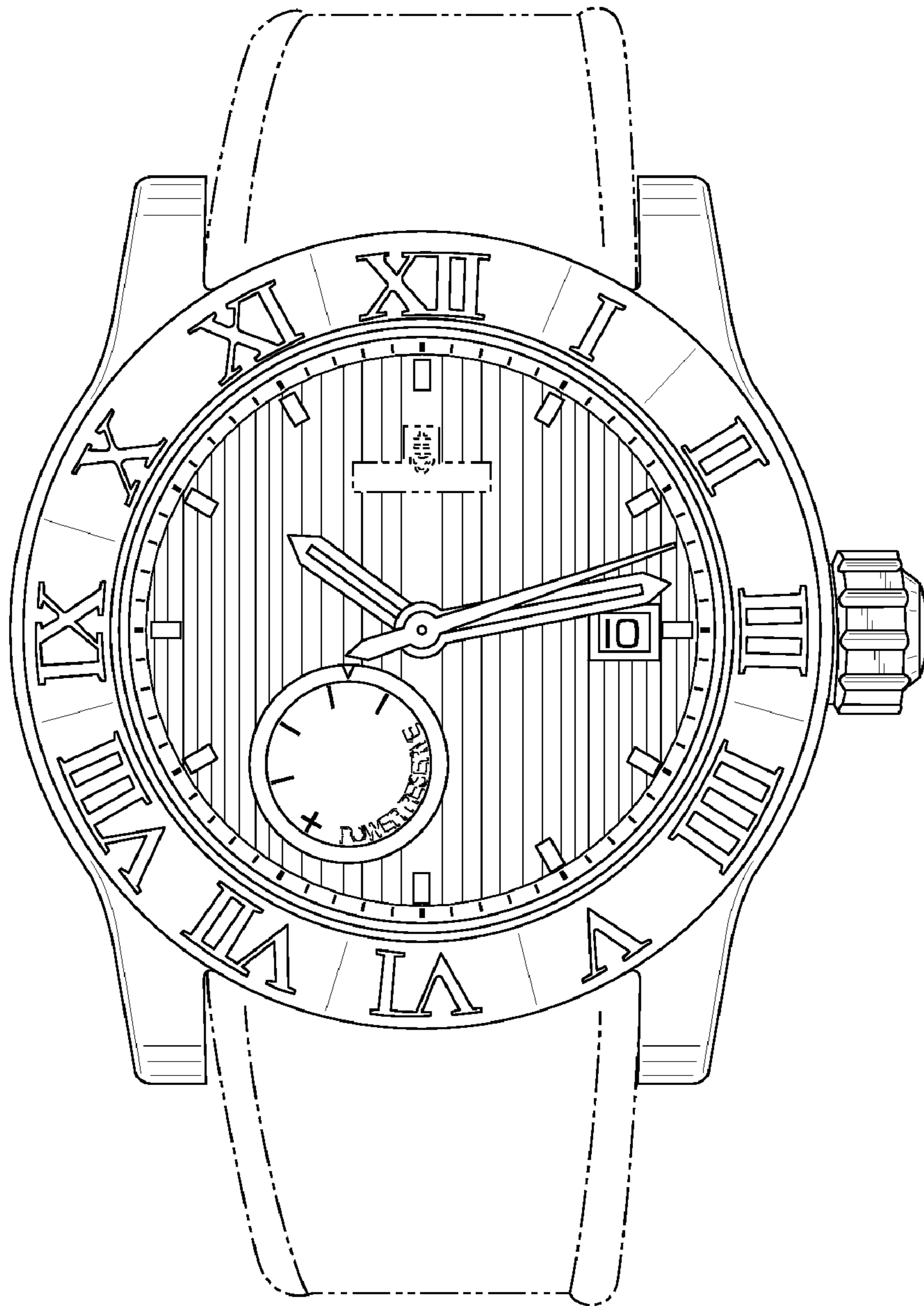
The broken lines shown in the drawing are for illustrative purposes only and form no part of the claimed design.

**1 Claim, 7 Drawing Sheets**

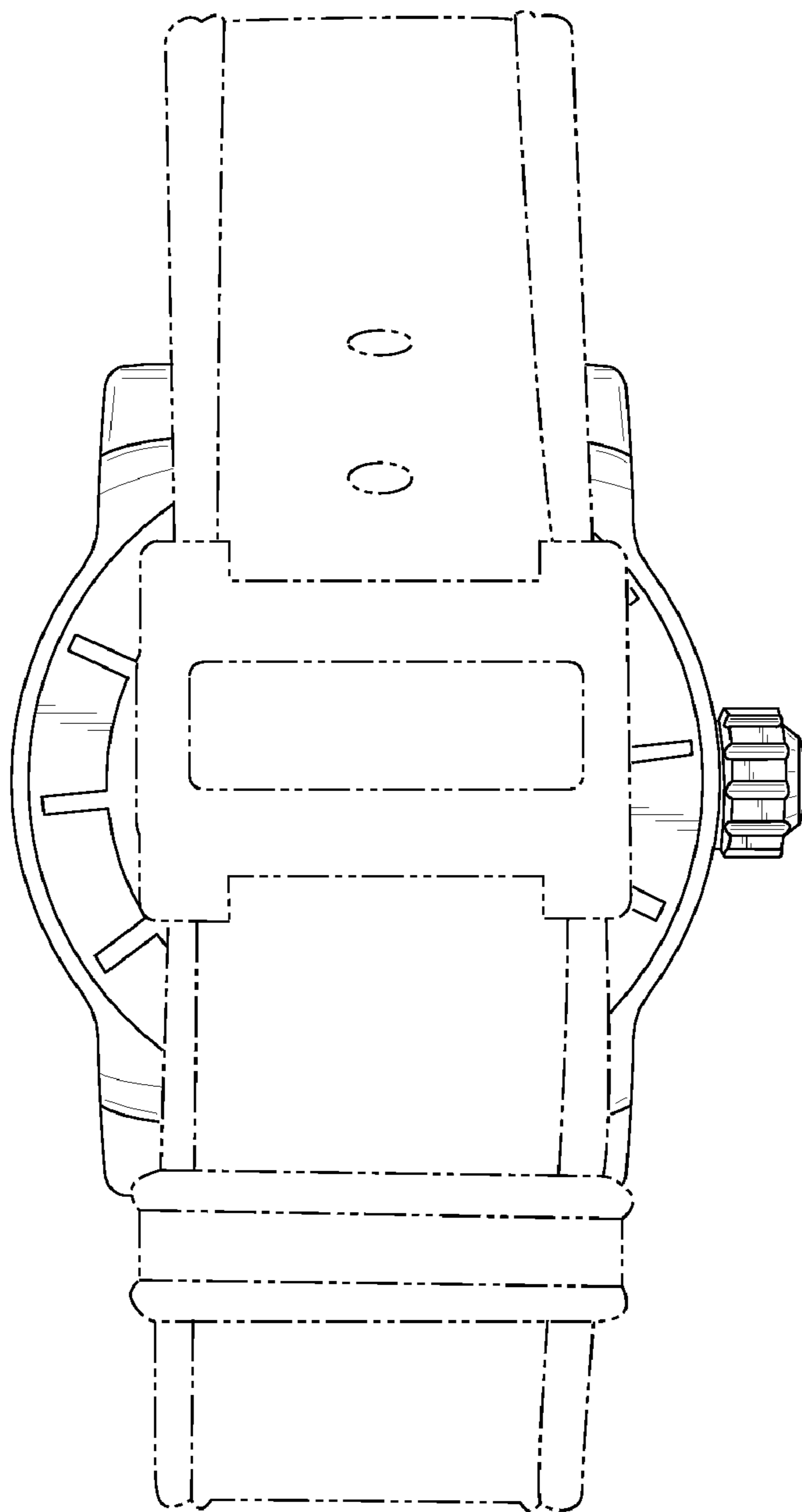




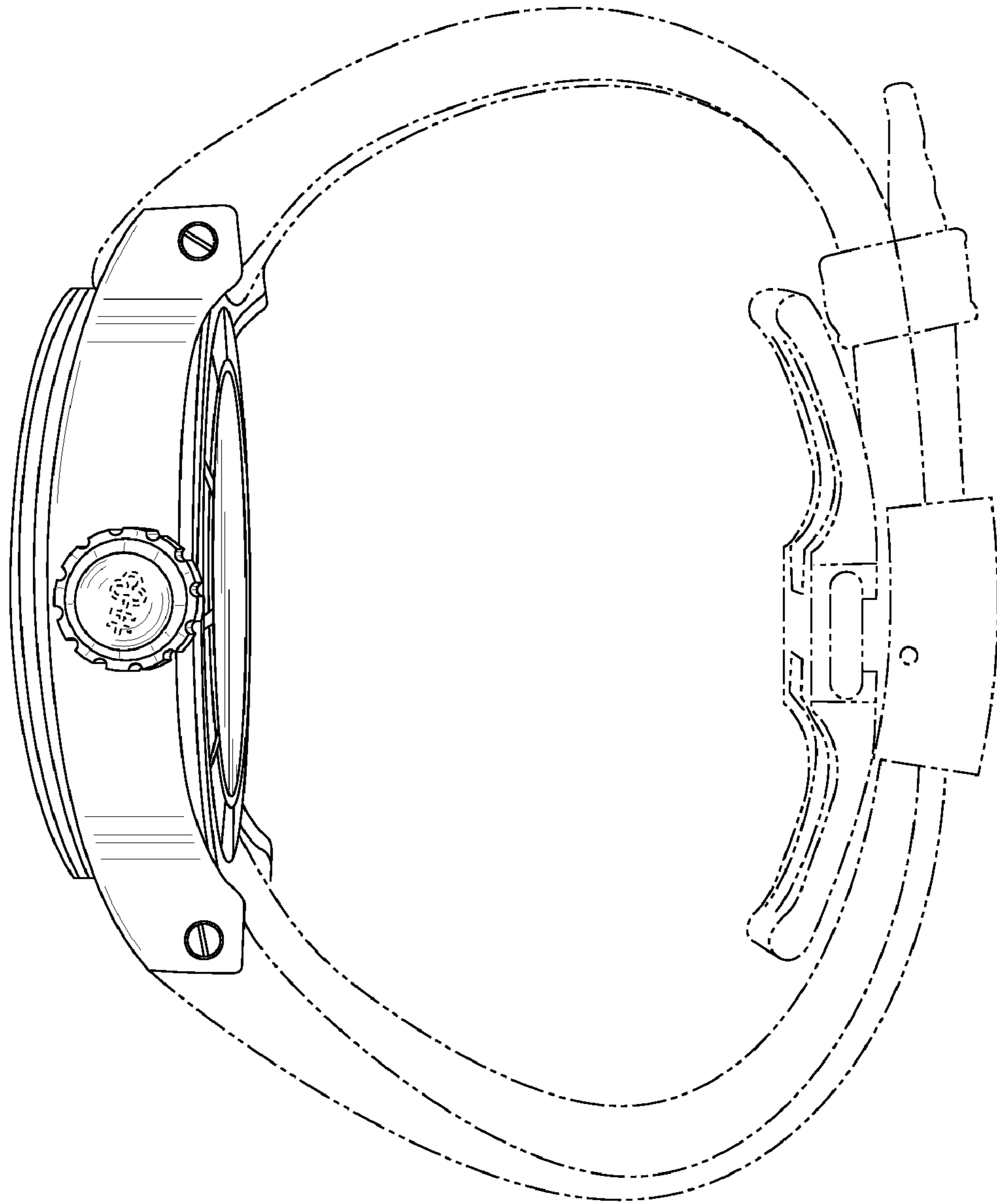
**Fig. 1**



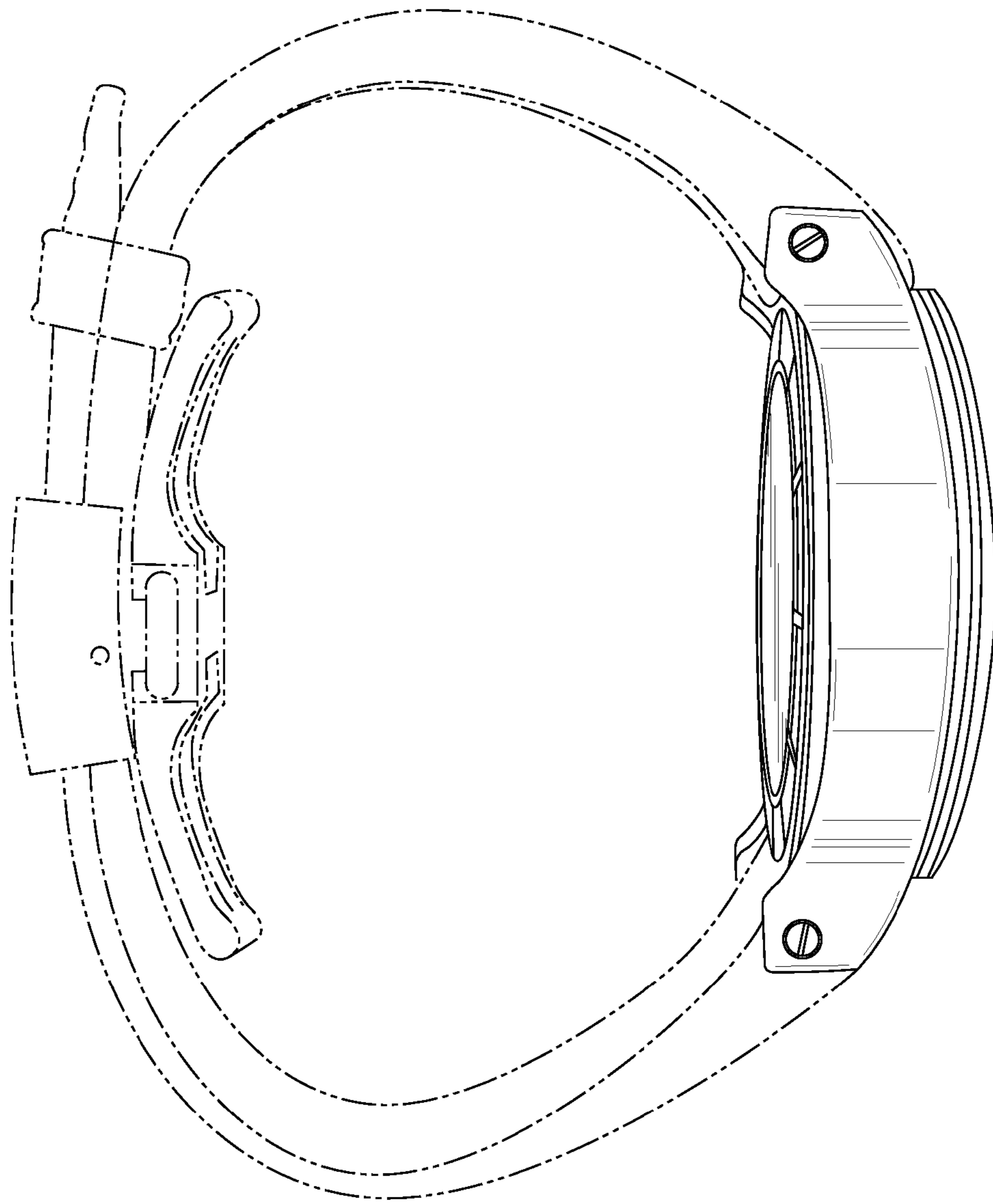
**Fig. 2**



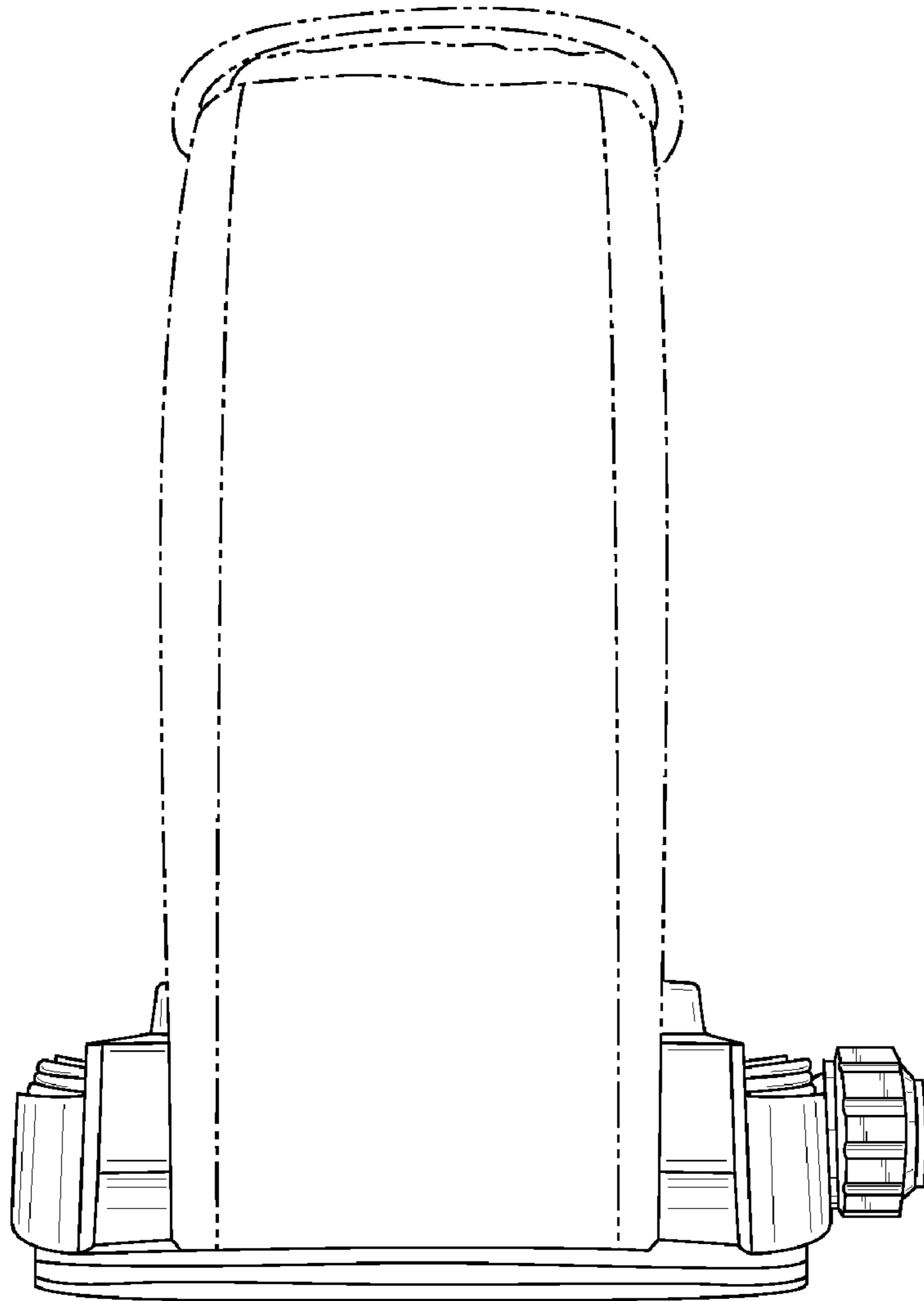
**Fig. 3**



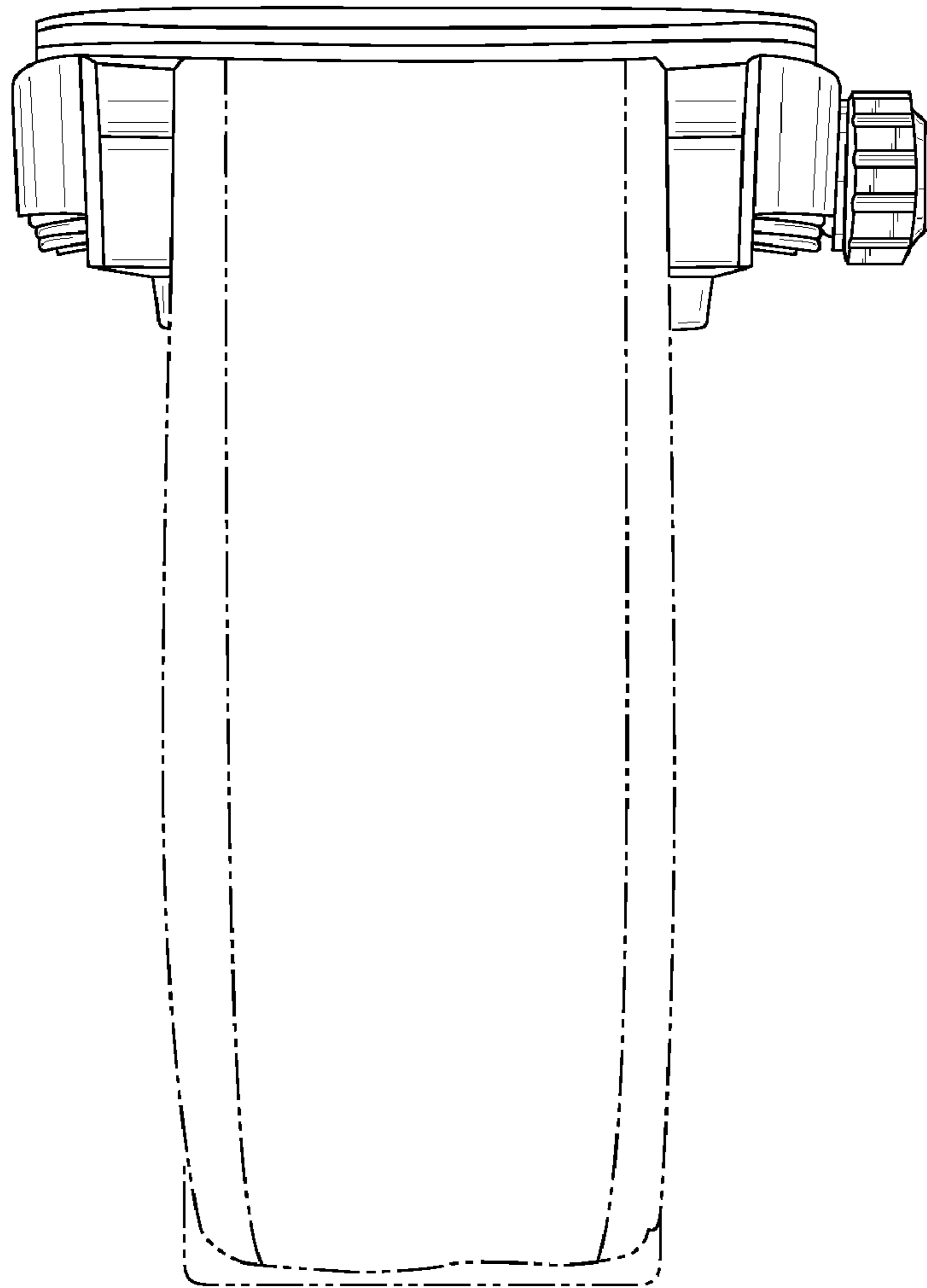
**Fig. 4**



**Fig. 5**



***Fig. 6***



***Fig. 7***



UNITED STATES PATENT AND TRADEMARK OFFICE  
**CERTIFICATE OF CORRECTION**

PATENT NO. : Des. 580,279 S  
APPLICATION NO. : 29/287259  
DATED : November 11, 2008  
INVENTOR(S) : Severin S. Wunderman

Page 1 of 1

It is certified that error appears in the above-identified patent and that said Letters Patent is hereby corrected as shown below:

Title page, item (73) Assignee: Montres Corum SARL, ~~La Cheux De Fonds La~~  
Chaux-de-Fonds (CH)

Signed and Sealed this

Seventeenth Day of February, 2009



JOHN DOLL  
*Acting Director of the United States Patent and Trademark Office*