



US00D580276S

(12) **United States Design Patent**
Evans, Jr.

(10) **Patent No.:** **US D580,276 S**

(45) **Date of Patent:** **** Nov. 11, 2008**

(54) **CLOCK**

(76) **Inventor:** **Lester Evans, Jr.**, 4255 Old Seward Hwy., Unit 7B, Anchorage, AK (US) 99503-6040

(**) **Term:** **14 Years**

(21) **Appl. No.:** **29/282,936**

(22) **Filed:** **Aug. 1, 2007**

(51) **LOC (8) Cl.** **10-01**

(52) **U.S. Cl.** **D10/6**

(58) **Field of Classification Search** D10/1-29;
D11/133, 140, 157; 368/276, 285, 316, 317,
368/223, 80, 228, 232

See application file for complete search history.

(56) **References Cited**

U.S. PATENT DOCUMENTS

D55,120	S	*	5/1920	Dukzewski	D10/8
D62,839	S	*	8/1923	McDaniel	D10/2
3,049,863	A		8/1962	Ranney		
D211,894	S	*	8/1968	Tokar	D10/5

D242,530	S	*	11/1976	Gould	D10/33
D292,782	S	*	11/1987	Restrepo	D11/182
D352,249	S	*	11/1994	Hassen	D10/16
D511,466	S	*	11/2005	Ogo	D10/2
D531,521	S		11/2006	Ali		
2006/0039242	A1		2/2006	Ford, Jr. et al.		

* cited by examiner

Primary Examiner—Lucy Lieberman

(57) **CLAIM**

The ornamental design for a clock, as shown and described.

DESCRIPTION

FIG. 1 is a front elevation of a clock showing my new design;
FIG. 2 is a rear elevation thereof;
FIG. 3 is a left side elevation thereof;
FIG. 4 is a top plan view;
FIG. 5 is a bottom plan view; and,
FIG. 6 is a top, front and right side perspective view thereof.

1 Claim, 4 Drawing Sheets

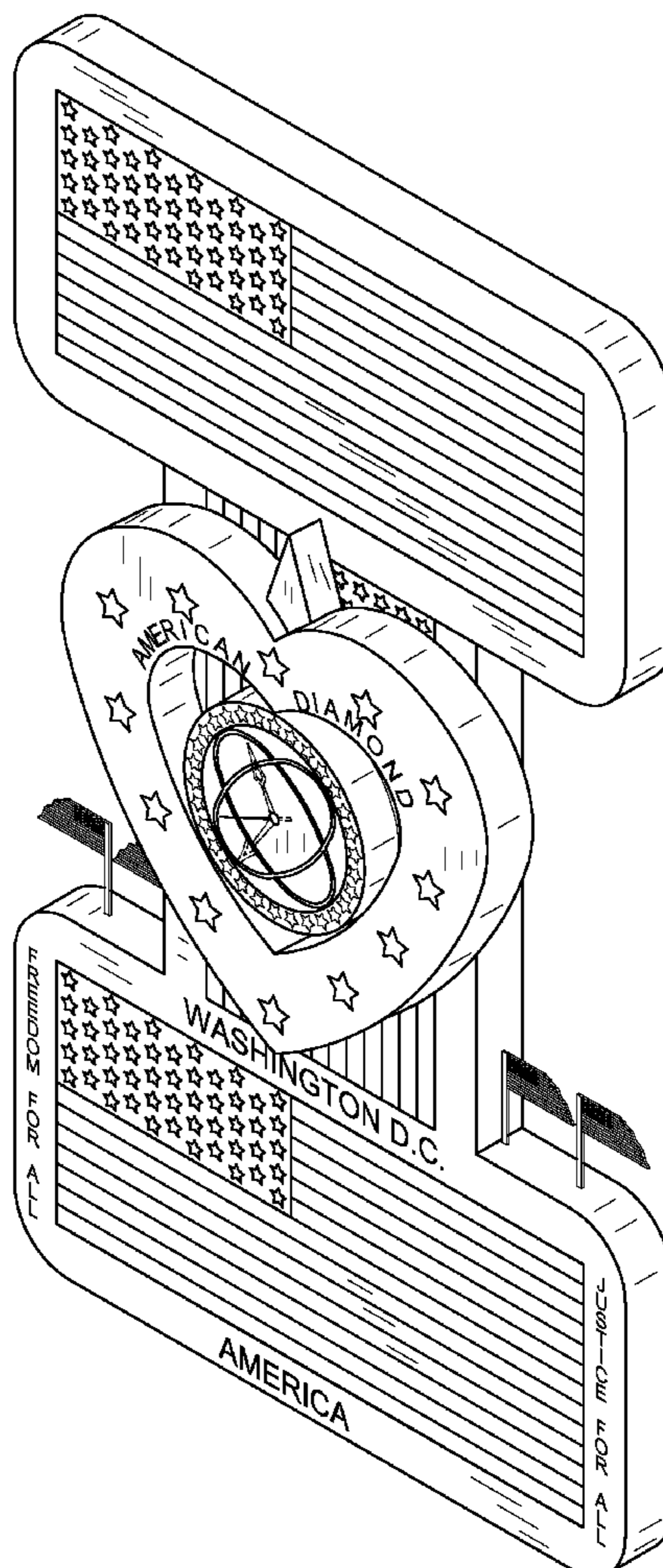


FIG. 1

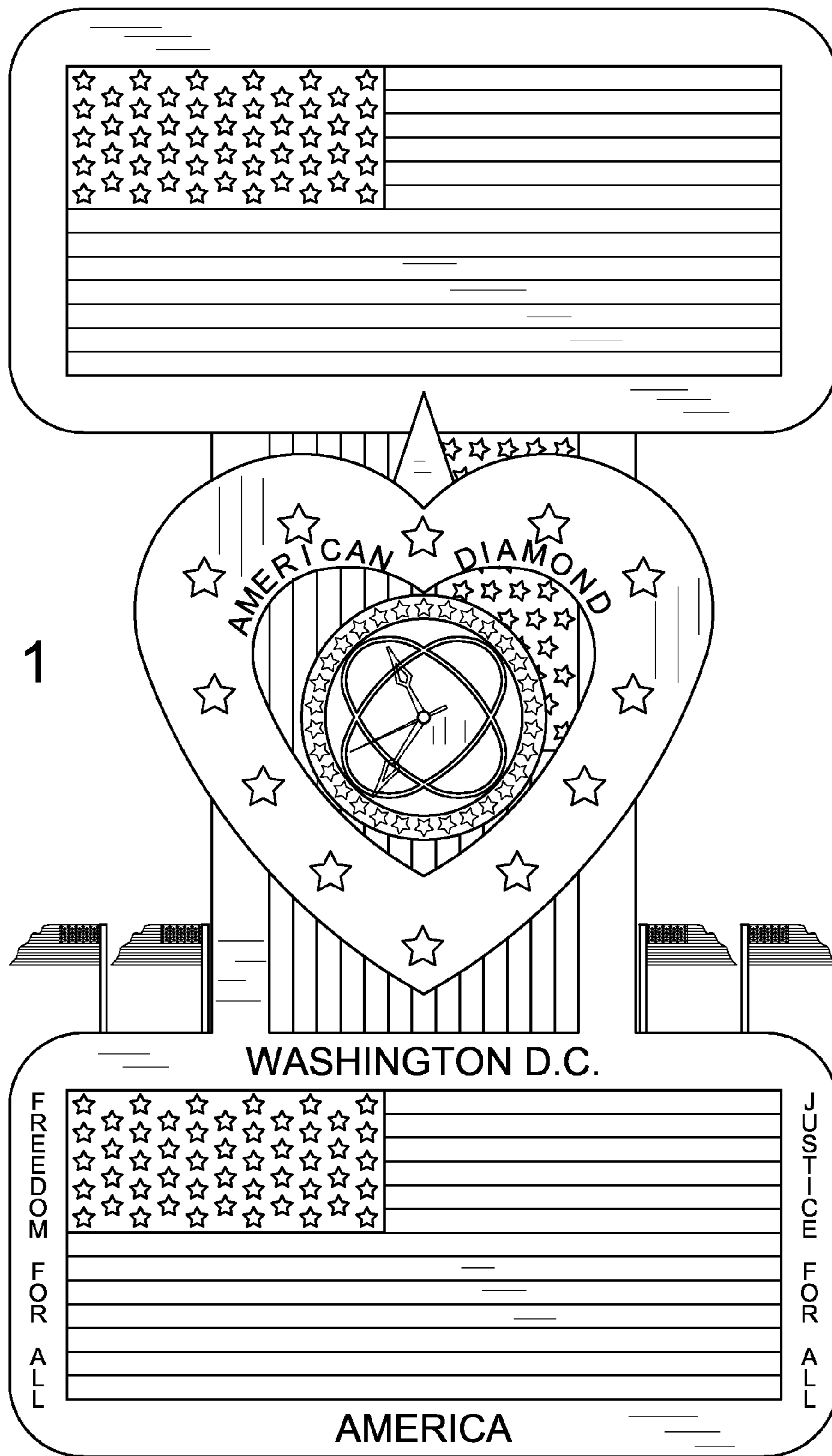
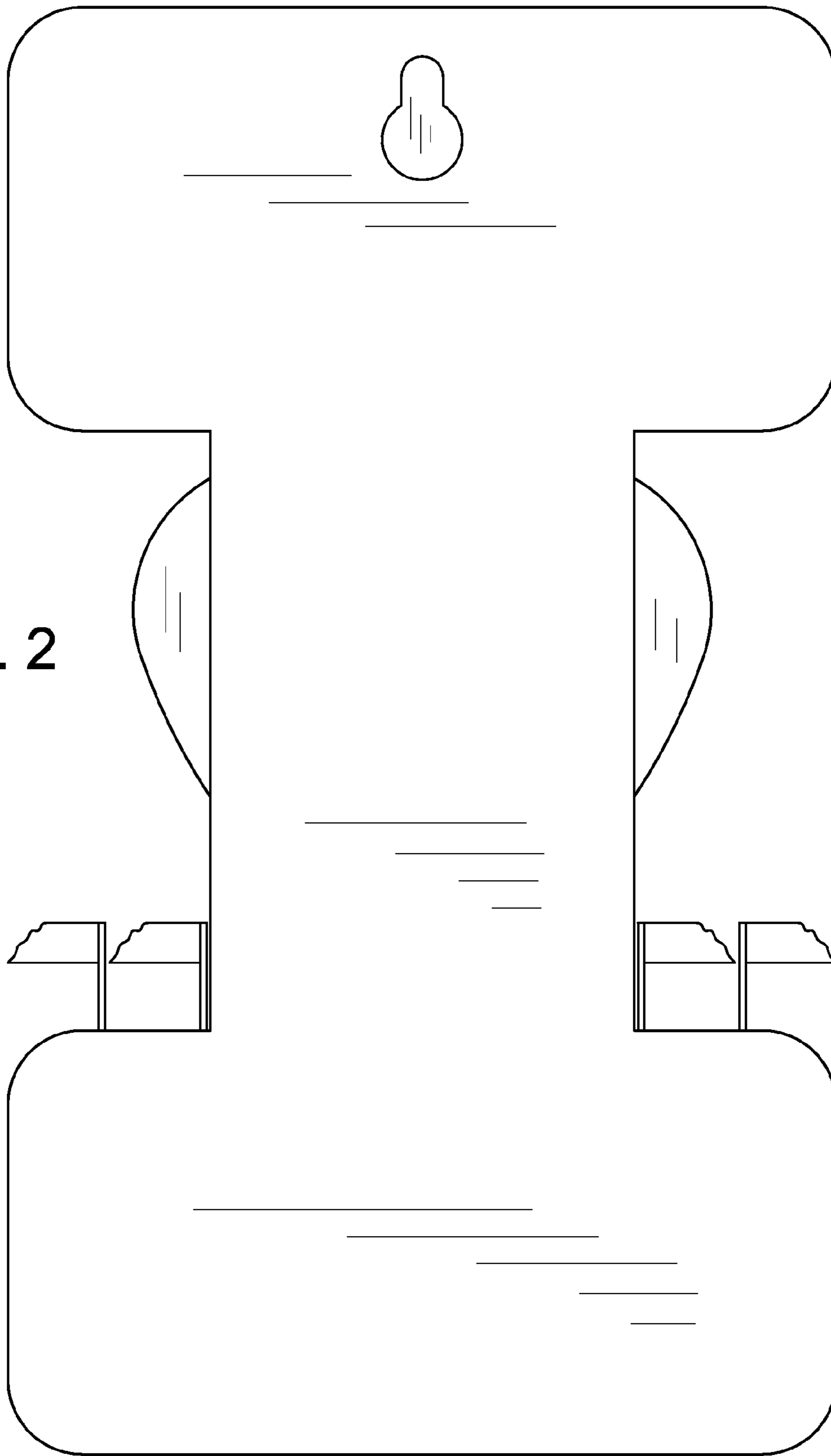


FIG. 2



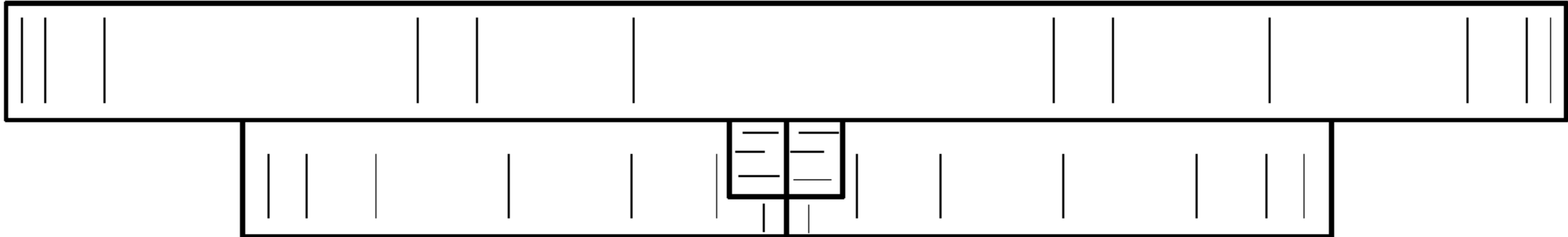
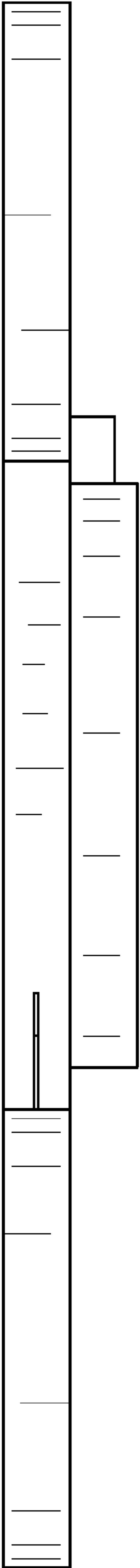


FIG. 4

FIG. 3

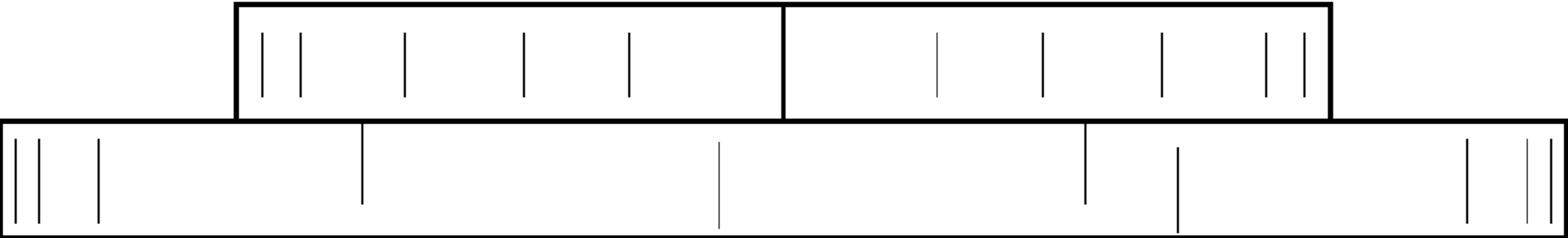


FIG. 5

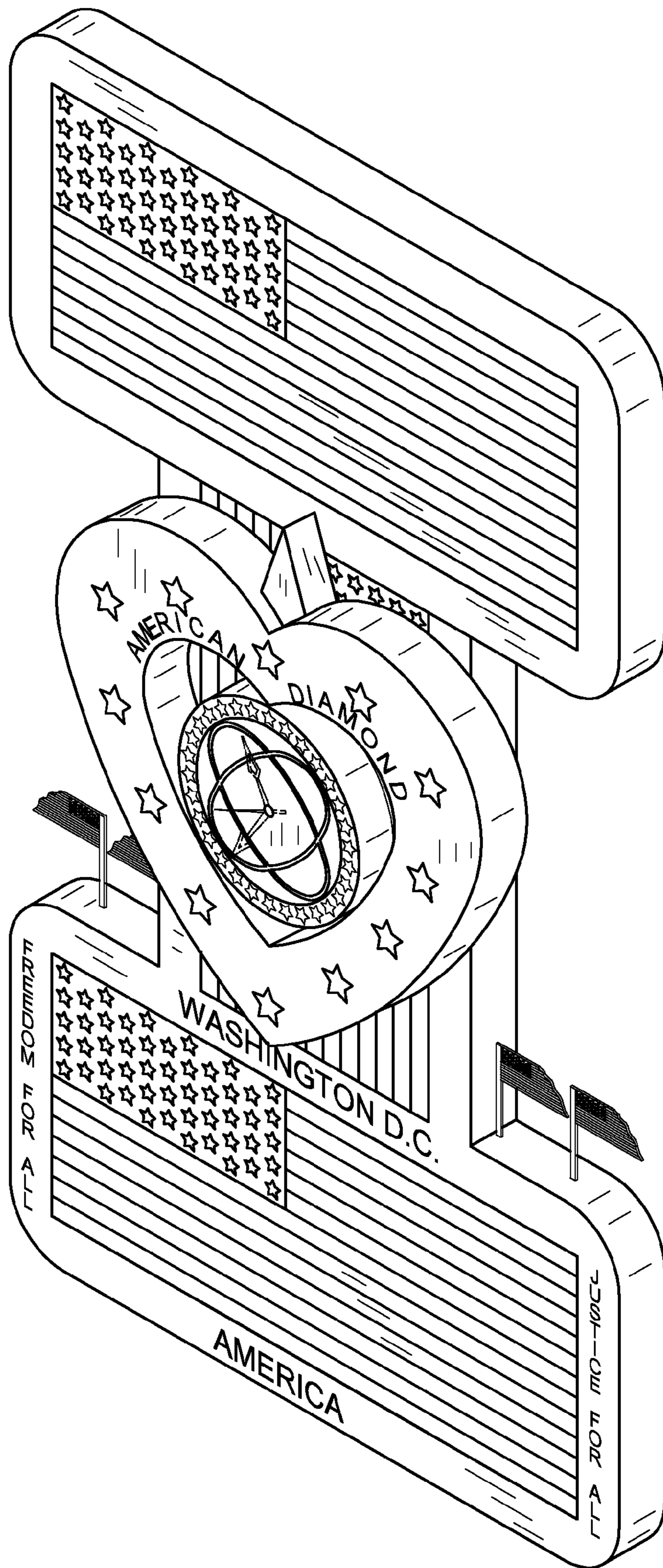


FIG. 6