



US00D580275S

(12) **United States Design Patent**
Burrowes

(10) **Patent No.:** **US D580,275 S**

(45) **Date of Patent:** **** Nov. 11, 2008**

(54) **CONTAINER**

(75) **Inventor:** **Lee Burrowes**, Horsell Woking (GB)

(73) **Assignee:** **The Procter & Gamble Company**,
Cincinnati, OH (US)

(**) **Term:** **14 Years**

(21) **Appl. No.:** **29/237,895**

(22) **Filed:** **Sep. 8, 2005**

(30) **Foreign Application Priority Data**

Mar. 10, 2005 (EM) 000307160

(51) **LOC (8) Cl.** **09-01**

(52) **U.S. Cl.** **D9/731**

(58) **Field of Classification Search** D9/414,
D9/427, 428, 731, 732, 730, 417; D28/73,
D28/76, 91, 91.1; D3/203.4; 426/106; 206/533,
206/823, 581; 239/327, 59, 43; 428/905
See application file for complete search history.

(56) **References Cited**

U.S. PATENT DOCUMENTS

D127,282	S	*	5/1941	Schwalbe	D9/731
D127,331	S	*	5/1941	Rosenfeld	D9/503
2,618,892	A		11/1952	Locks et al.		
2,975,887	A	*	3/1961	Weingart	206/533
3,174,654	A		3/1965	Reiner		
3,412,907	A		11/1968	Faso		
3,784,102	A	*	1/1974	Stults	239/36
D235,280	S	*	6/1975	Glass	D28/76
4,161,284	A	*	7/1979	Rattan	239/43
D277,419	S	*	1/1985	Schefer	D28/82
D277,790	S	*	2/1985	Schefer	D28/82
D277,791	S	*	2/1985	Schefer	D28/82
4,858,831	A		8/1989	Spector		
D317,411	S	*	6/1991	Holmes	D9/435
D332,396	S	*	1/1993	Bell	D9/731
D363,219	S	*	10/1995	Borsboom et al.	D9/428
D380,378	S	*	7/1997	Wood	D9/731

D392,562	S	*	3/1998	Lo	D9/731
D405,361	S	*	2/1999	Cameron et al.	D9/731
D423,925	S	*	5/2000	Finkelston et al.	D9/731
D437,683	S	*	2/2001	Tempongko	D3/269
D441,649	S	*	5/2001	Wolff	D9/428
D492,067	S	*	6/2004	Garcia et al.	D28/91.1
2004/0000599	A1		1/2004	Cuthbert		
2004/0188313	A1*		9/2004	Tedham	206/531
2005/0106200	A1		5/2005	Corzani et al.		
2005/0272878	A1		12/2005	Corzani et al.		

OTHER PUBLICATIONS

U.S. Appl. No. 11/194,283, filed Aug. 1, 2005, Corzani, et al.

U.S. Appl. No. 11/268,334, filed Nov. 7, 2005, Corzani, et al.

* cited by examiner

Primary Examiner—Ian Simmons

Assistant Examiner—Mark A Goodwin

(74) *Attorney, Agent, or Firm*—Larry L. Huston; Jay A. Krebs

(57) **CLAIM**

The ornamental design for a container, as shown and described.

DESCRIPTION

FIG. 1 is a perspective view of a container showing my new design;

FIG. 2 is a top plan view thereof;

FIG. 3 is a front view thereof;

FIG. 4 is a rear view thereof;

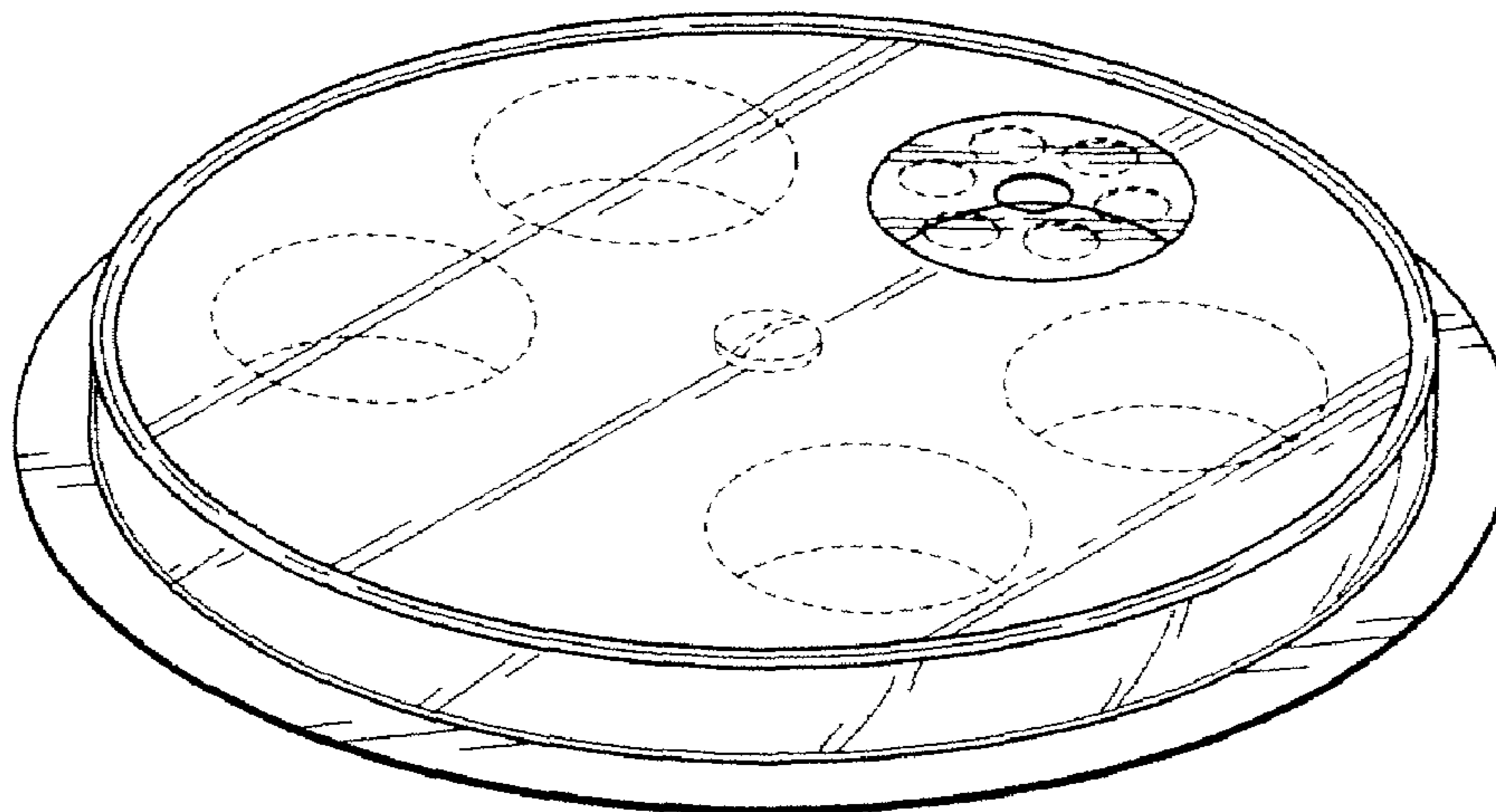
FIG. 5 is a right side view thereof;

FIG. 6 is left side view thereof; and,

FIG. 7 is a bottom plan view thereof.

The broken line showing of a fastener and circular compartments in FIGS. 1–7, and six small circular areas in FIGS. 1 and 2, is included for the purpose of illustrating portions of the container and forms no part of the claimed design.

1 Claim, 2 Drawing Sheets



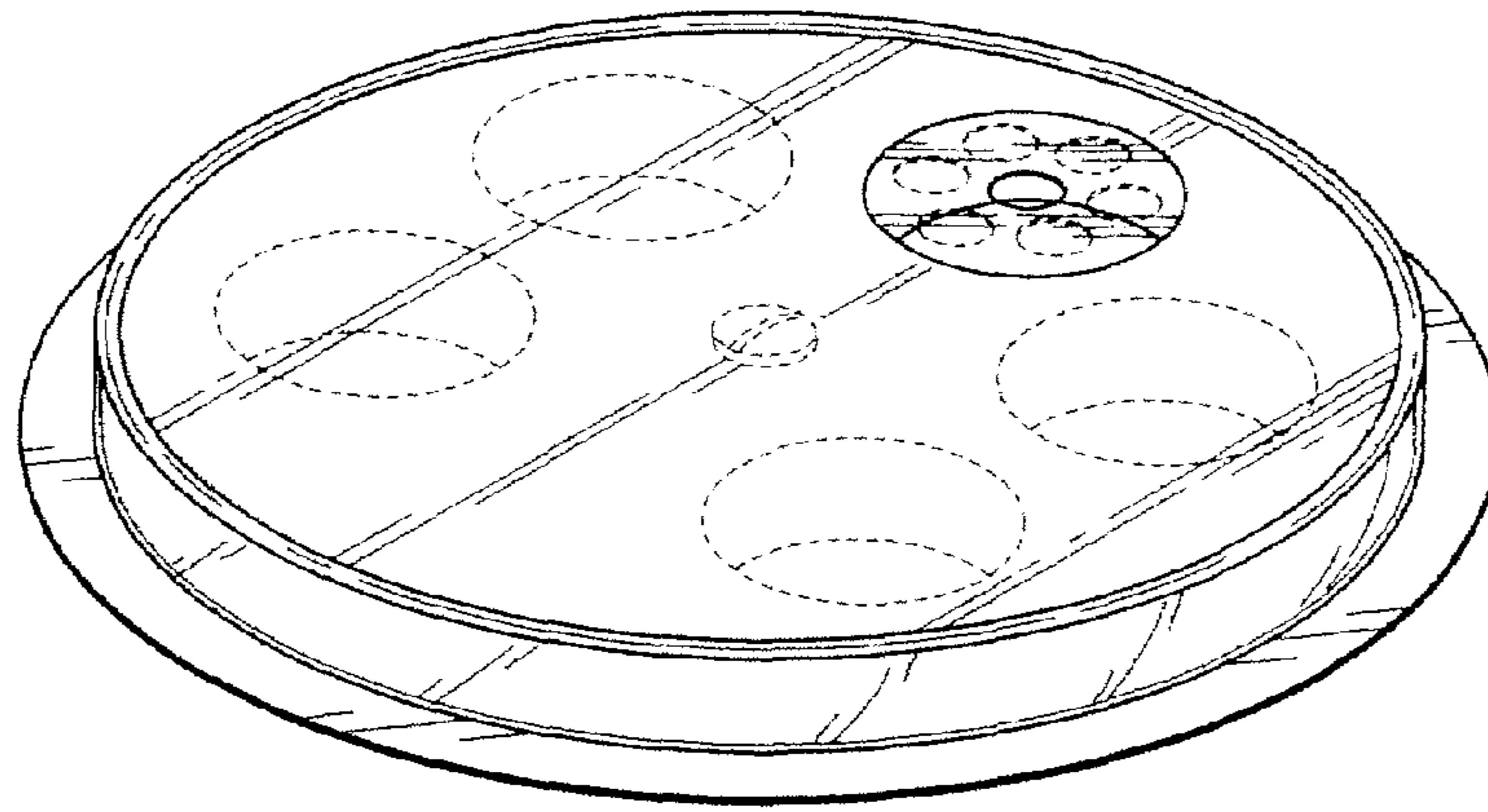


Fig. 1.

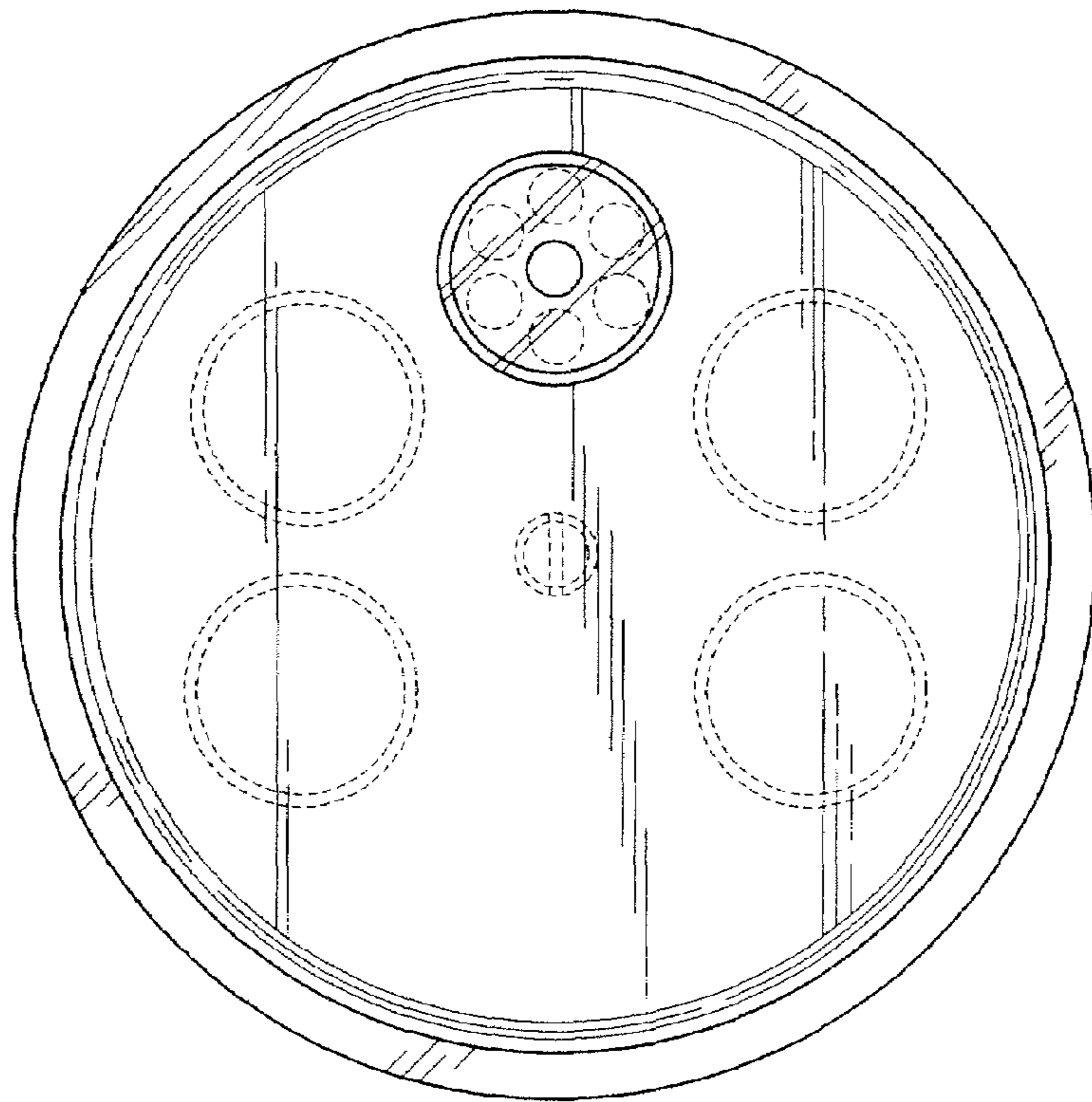


Fig. 2.

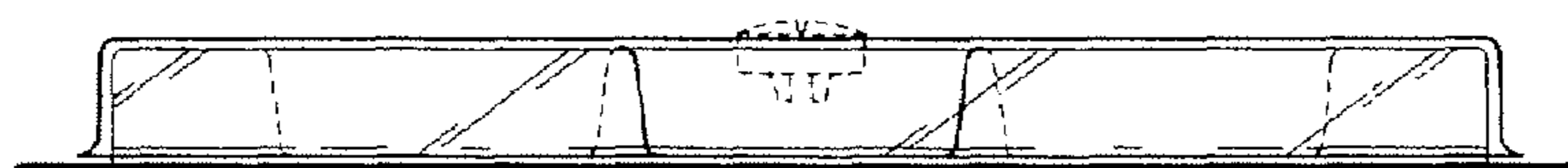


Fig. 3.

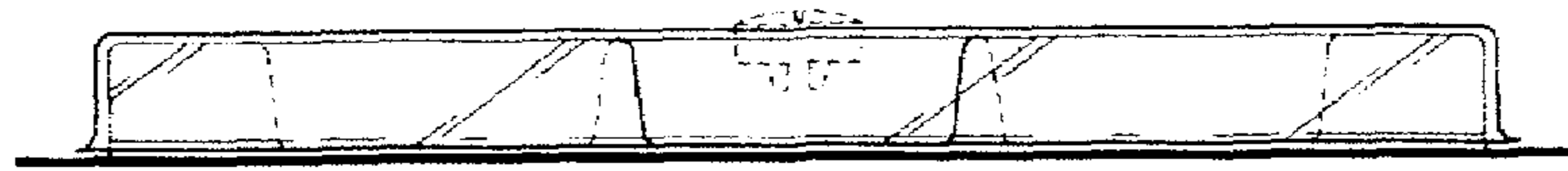


Fig. 4.



Fig. 5.



Fig. 6.

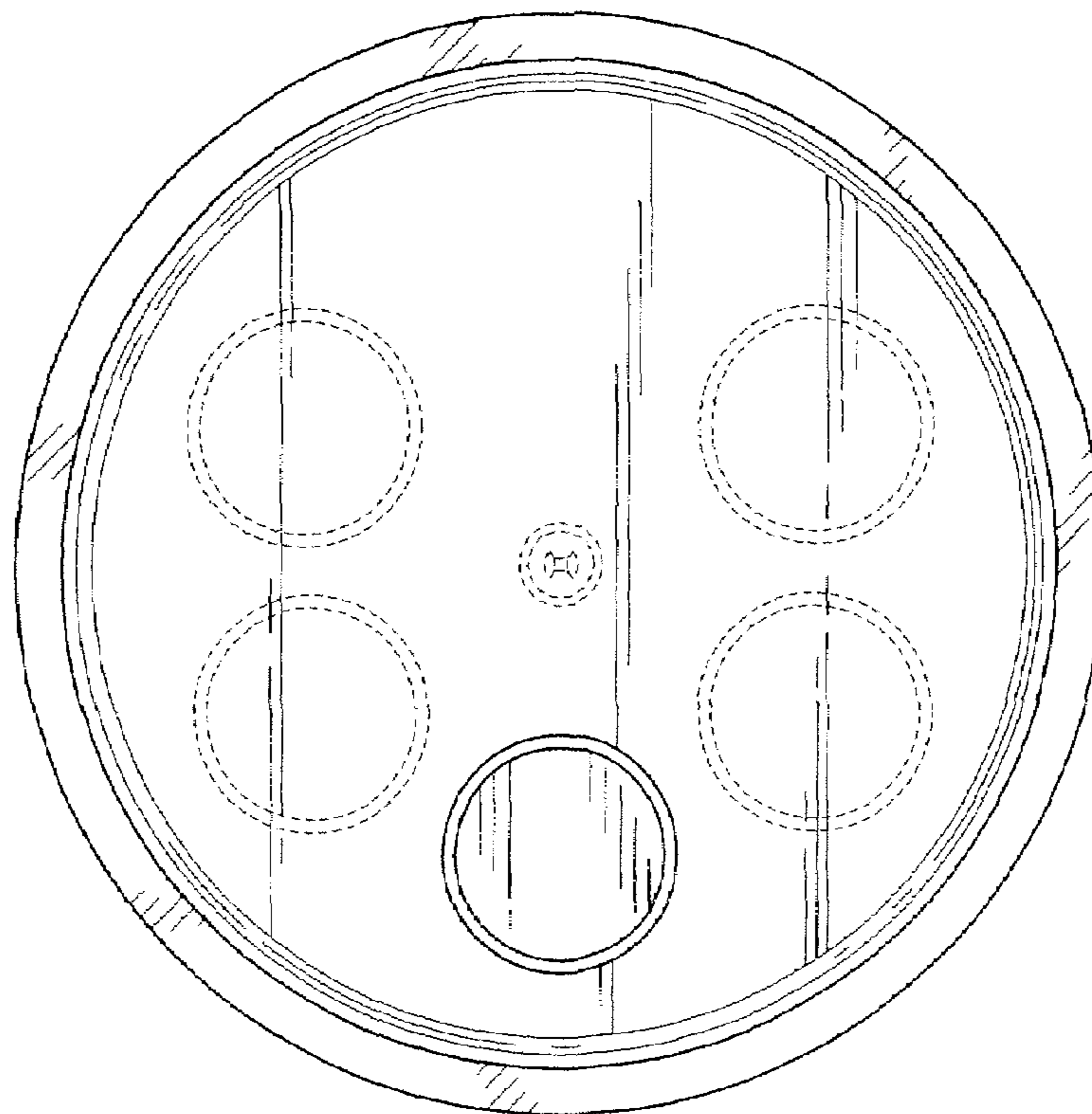


Fig. 7.