



US00D580272S

(12) **United States Design Patent**
Weggelaar

(10) **Patent No.:** **US D580,272 S**
(45) **Date of Patent:** **** Nov. 11, 2008**

(54) **BOTTLE**

(75) Inventor: **Bjorn Weggelaar, Haarlem (NL)**

(73) Assignee: **Sara Lee Household and Body Care
Nederland B.V. (NL)**

(**) Term: **14 Years**

(21) Appl. No.: **29/289,961**

(22) Filed: **Aug. 8, 2007**

(30) **Foreign Application Priority Data**

Feb. 19, 2007 (EM) 000673041

(51) **LOC (8) Cl.** **09-01**

(52) **U.S. Cl.** **D9/542; D9/571; D9/573;
D9/574**

(58) **Field of Classification Search** D9/682,
D9/686-689, 693-694, 516, 521-523, 529-530,
D9/541-544, 549, 558, 560, 571-575; D23/366-369;
215/382-384

See application file for complete search history.

(56) **References Cited**

U.S. PATENT DOCUMENTS

| | | | | |
|---------------|---------|------------------|-------|----------|
| D53,765 S * | 9/1919 | Bruns | | D9/765 |
| D54,463 S | 2/1920 | Scott | | |
| D69,486 S * | 2/1926 | Braun | | D9/545 |
| D88,067 S * | 10/1932 | Bergaud | | D9/573 |
| D98,958 S * | 3/1936 | Piazzoli | | D9/573 |
| D102,401 S * | 12/1936 | Shulman | | D9/522 |
| D118,381 S | 1/1940 | McIntosh | | |
| D147,265 S * | 8/1947 | Gardiner | | D9/522 |
| D156,091 S * | 11/1949 | Gardiner | | D9/522 |
| D280,548 S | 9/1985 | Cramer | | |
| D338,833 S * | 8/1993 | Dinand | | D9/516 |
| D355,605 S | 2/1995 | Kudo et al. | | |
| D383,068 S * | 9/1997 | Dinand | | D9/522 |
| D386,974 S * | 12/1997 | Wefler | | D9/544 X |
| 6,104,867 A * | 8/2000 | Stathakis et al. | | 392/403 |
| D437,636 S * | 2/2001 | Basaganas | | D23/366 |
| D439,319 S | 3/2001 | Wolpert | | |
| D444,220 S * | 6/2001 | Basaganas | | D23/366 |
| D452,732 S * | 1/2002 | Basaganas | | D23/366 |
| D453,110 S | 1/2002 | Bulsink | | |
| D454,628 S | 3/2002 | Basaganas | | |

| | | | | |
|-----------------|---------|------------------|-------|----------|
| D461,885 S | 8/2002 | Jordi | | |
| D476,727 S * | 7/2003 | Basaganas Millan | | D23/366 |
| D477,066 S * | 7/2003 | Lonczak et al. | | D9/522 X |
| D478,512 S | 8/2003 | Duston et al. | | |
| D479,804 S | 9/2003 | Wolpert et al. | | |
| D480,316 S | 10/2003 | Wolpert et al. | | |
| D492,021 S | 6/2004 | Basaganas Millan | | |
| D498,146 S | 11/2004 | Densky et al. | | |
| D505,330 S | 5/2005 | Wolpert | | |
| D515,192 S | 2/2006 | Smith et al. | | |
| D518,730 S | 4/2006 | Caserta et al. | | |
| D541,160 S * | 4/2007 | Cortes | | D9/575 X |
| D542,138 S * | 5/2007 | Hainaut | | D9/522 |
| D542,662 S * | 5/2007 | Caserta et al. | | D9/522 |
| D556,582 S * | 12/2007 | Heijdenrijk | | D9/571 X |
| 2003/0194355 A1 | 10/2003 | Pedrotti et al. | | |

OTHER PUBLICATIONS

U.S. Appl. No. 29/253,523, filed Feb. 8, 2006.
U.S. Appl. No. 29/285,039, filed Mar. 20, 2007.

* cited by examiner

Primary Examiner—Carol Rademaker

(74) *Attorney, Agent, or Firm*—Foley & Lardner LLP

(57) **CLAIM**

The ornamental design for a bottle, as shown and described.

DESCRIPTION

FIG. 1 is a top, front, and right side perspective view of a bottle comprising the present invention;

FIG. 2 is a top, rear, and left side perspective view thereof;

FIG. 3 is a front elevational view thereof;

FIG. 4 is a rear elevational view thereof;

FIG. 5 is a right side view thereof; and

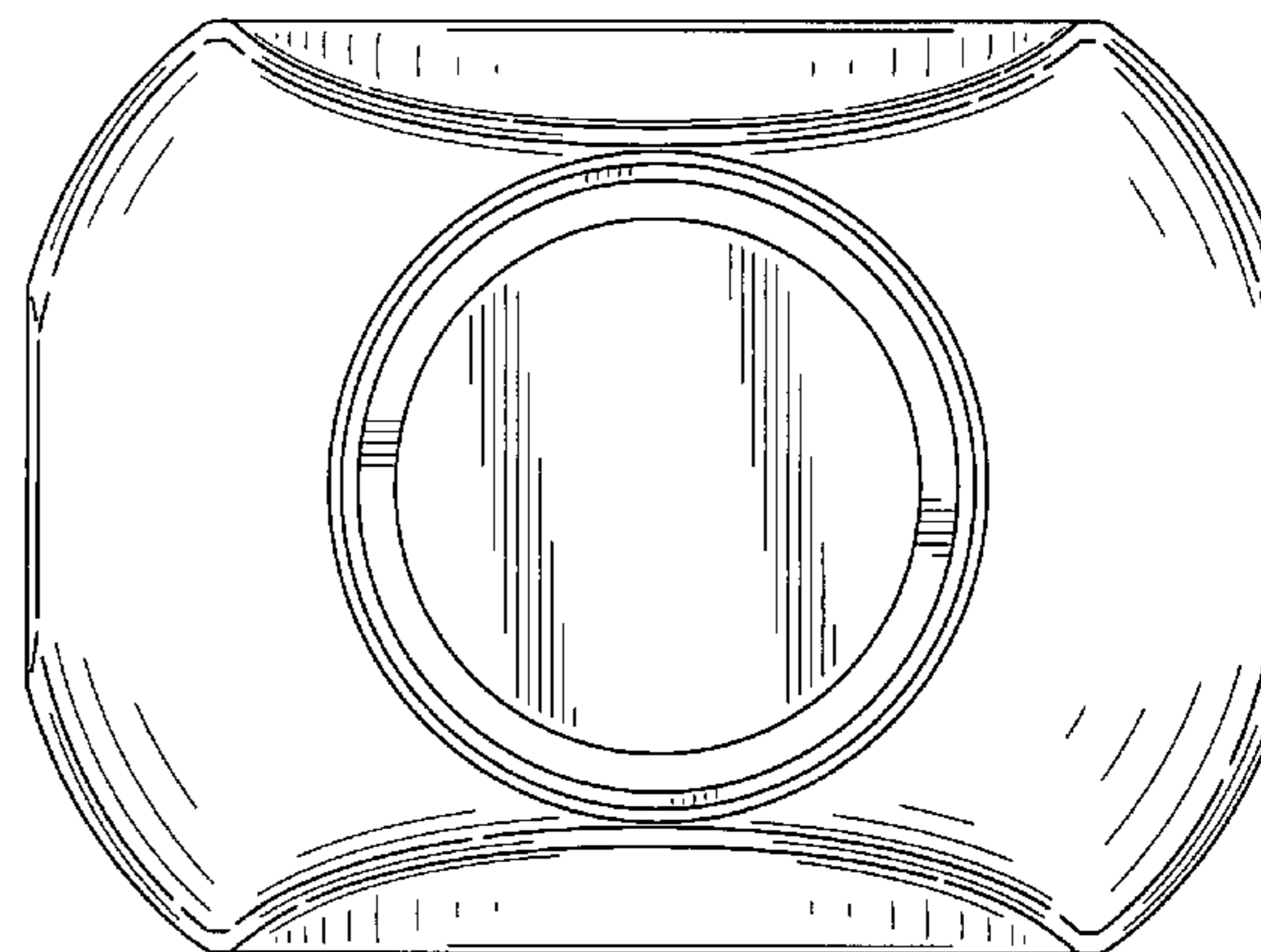
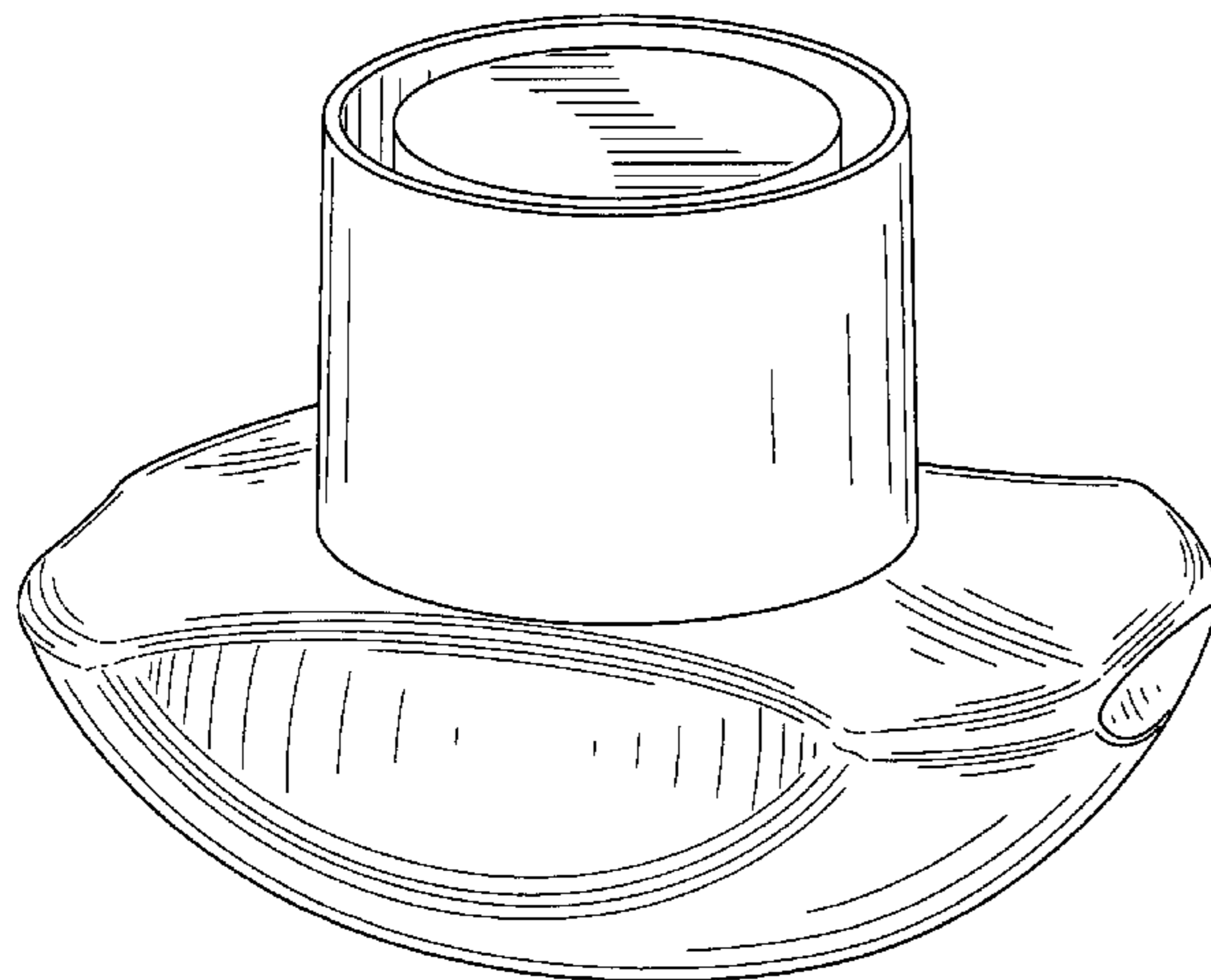
FIG. 6 is a left side elevational view thereof;

FIG. 7 is a top plan view thereof; and,

FIG. 8 is a bottom plan view thereof.

The broken lines shown in the drawings are for illustrative purposes only and form no part of the claimed design.

1 Claim, 8 Drawing Sheets



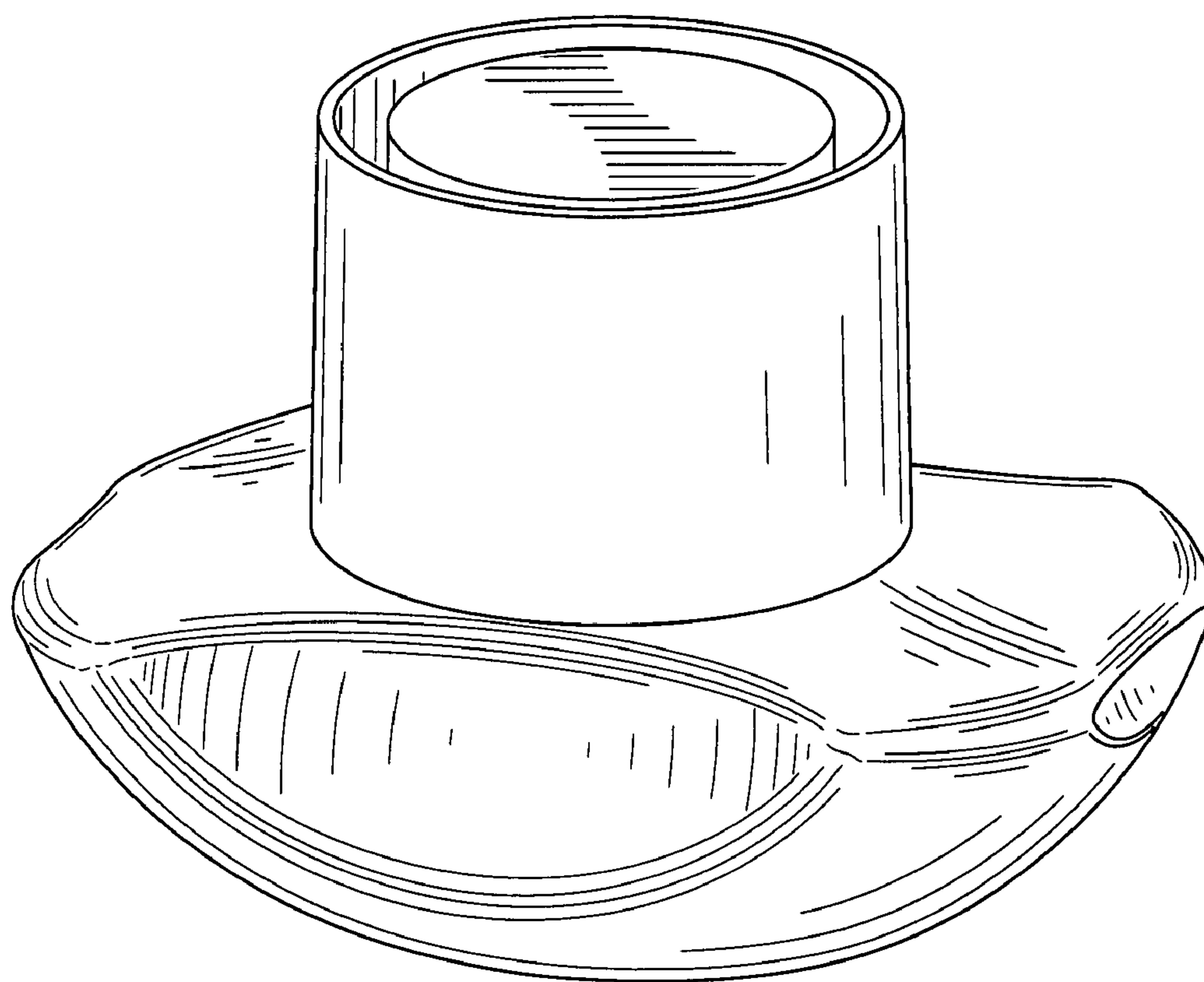


FIG. 1

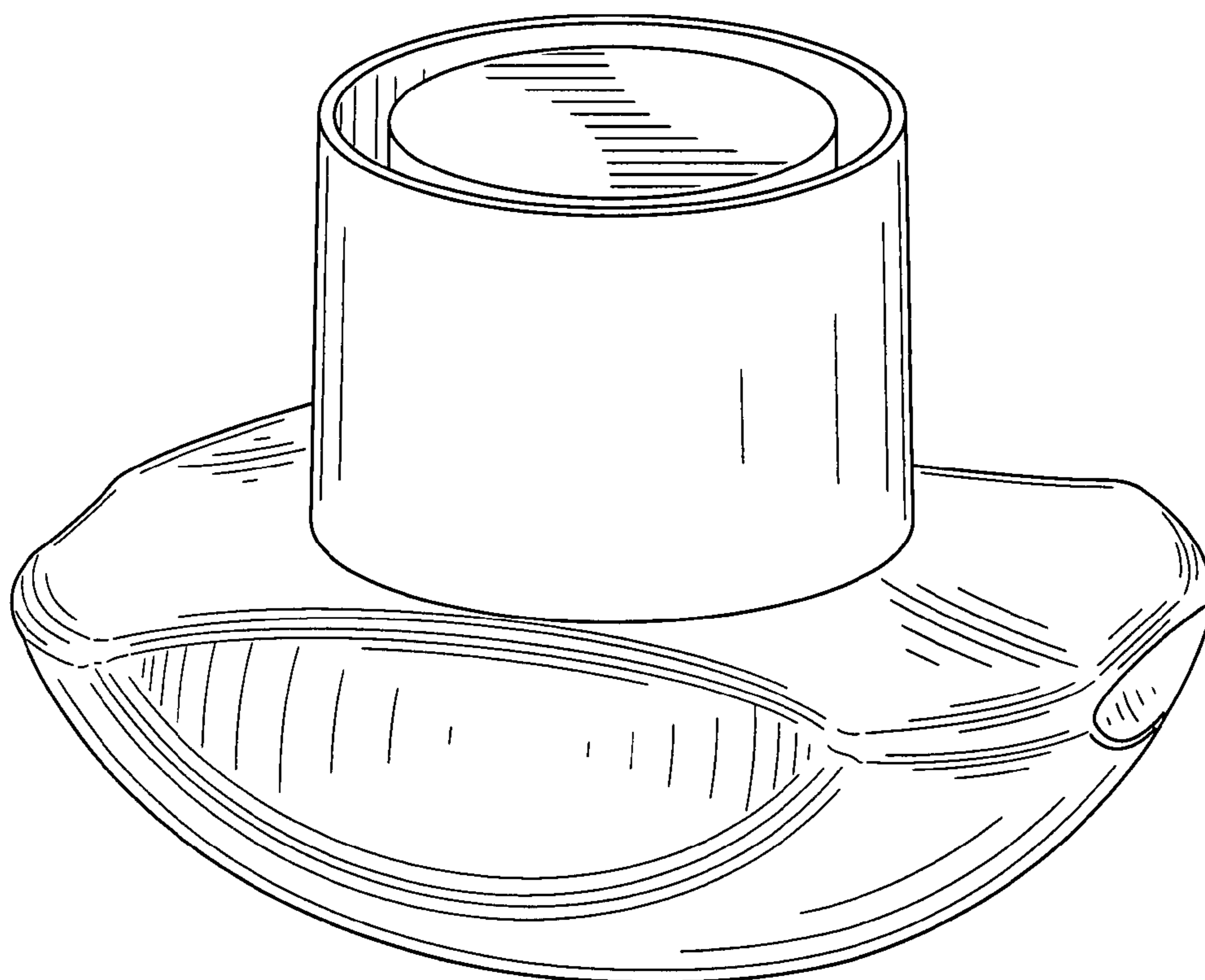


FIG. 2

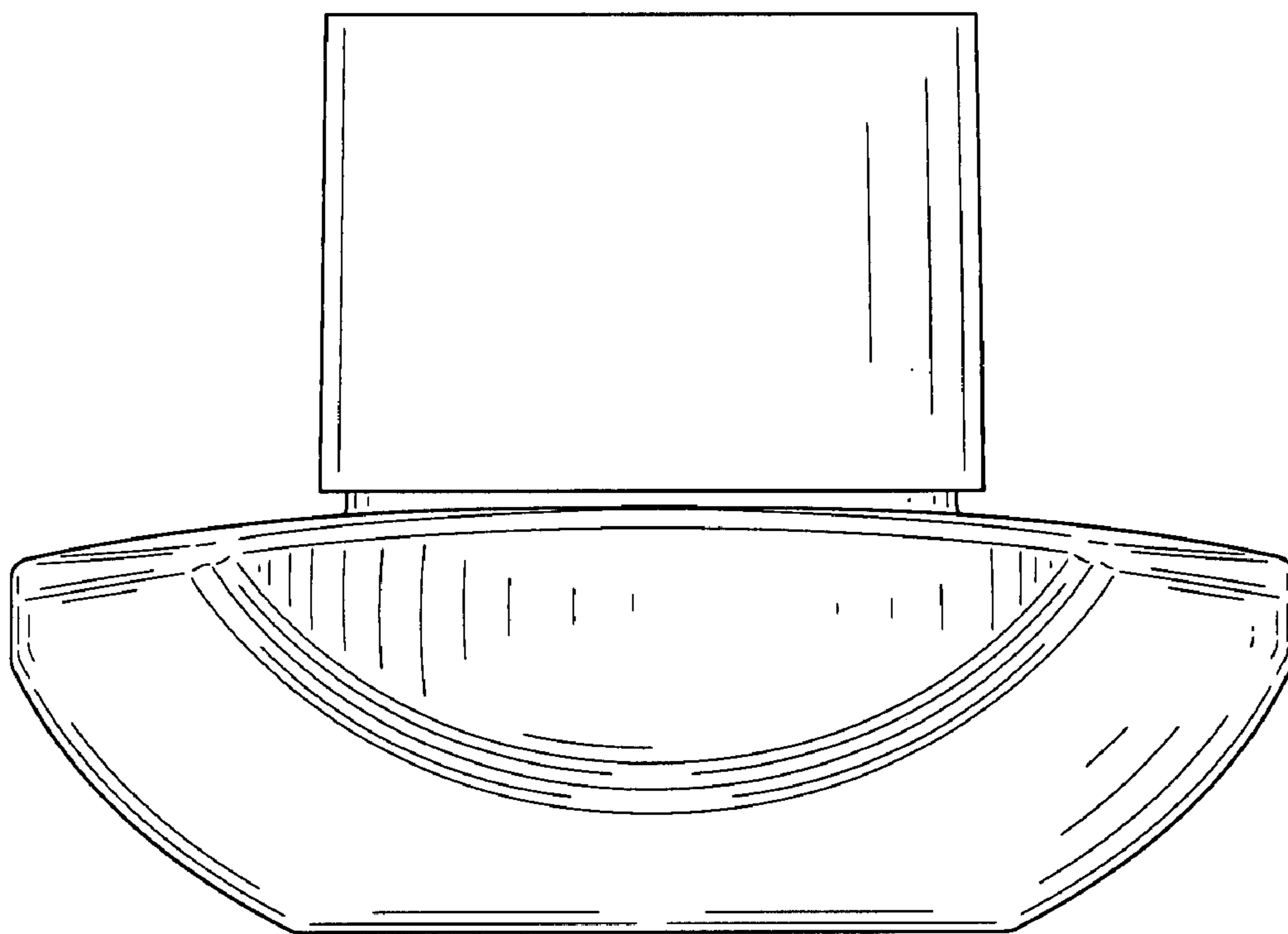


FIG. 3

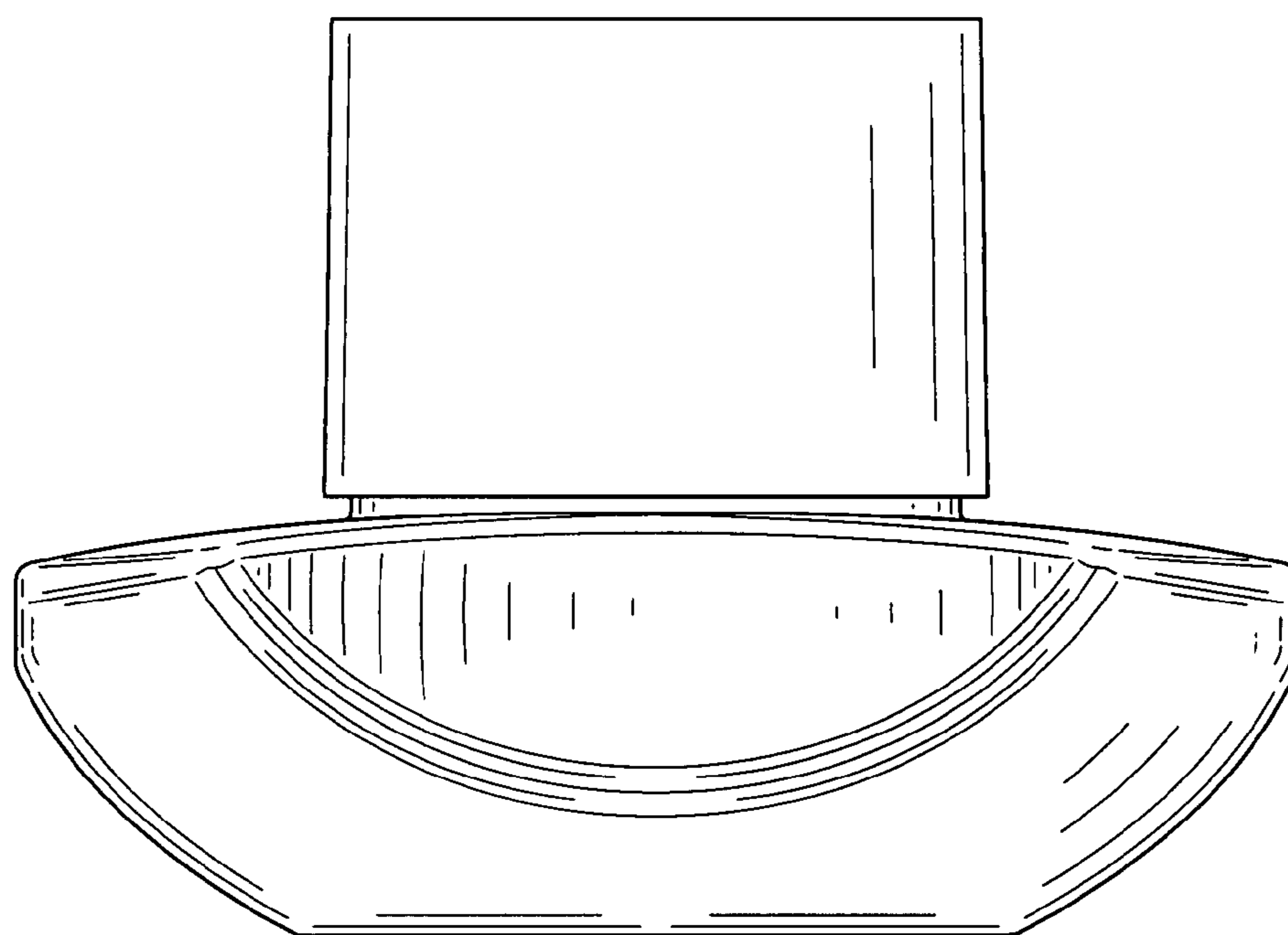


FIG. 4

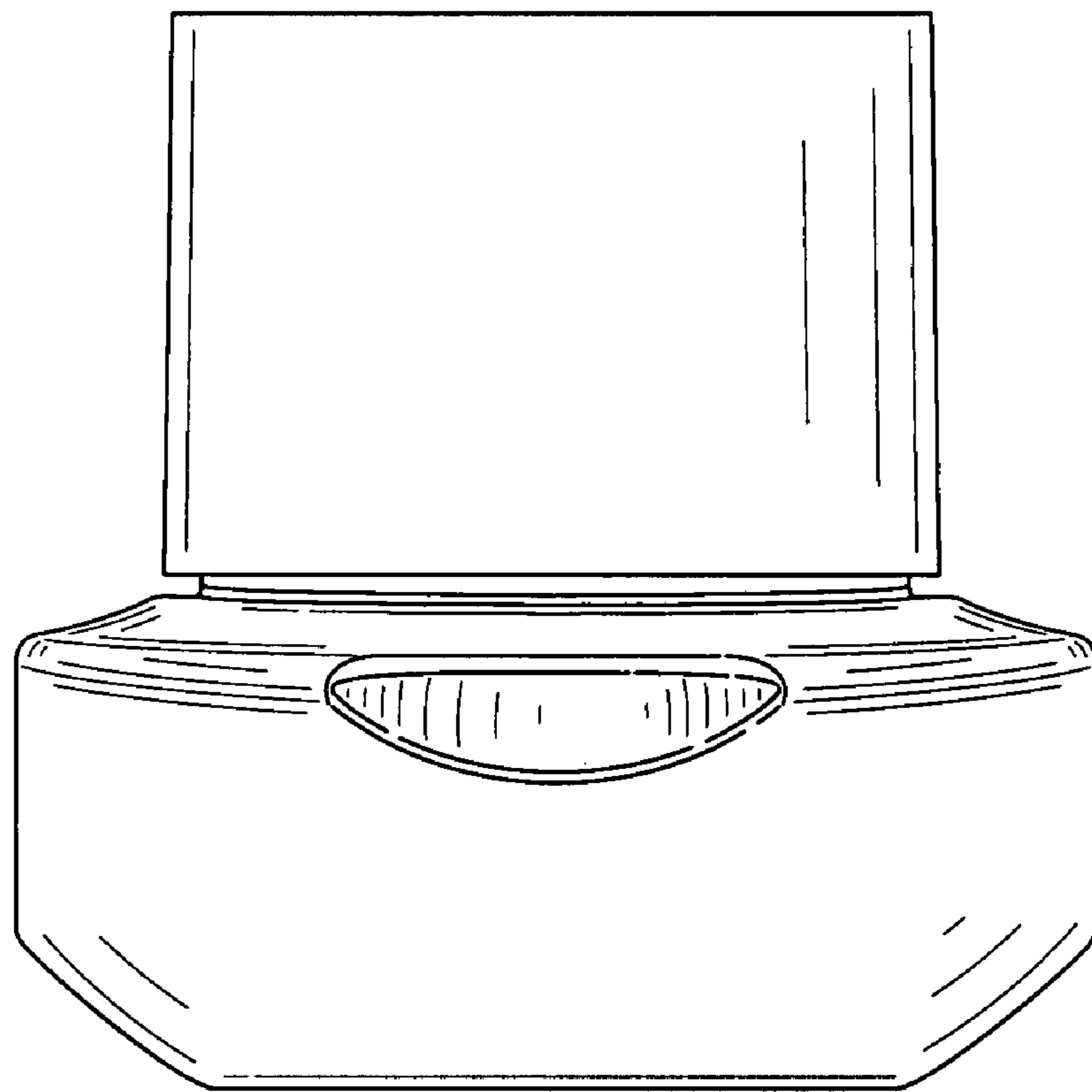


FIG. 5

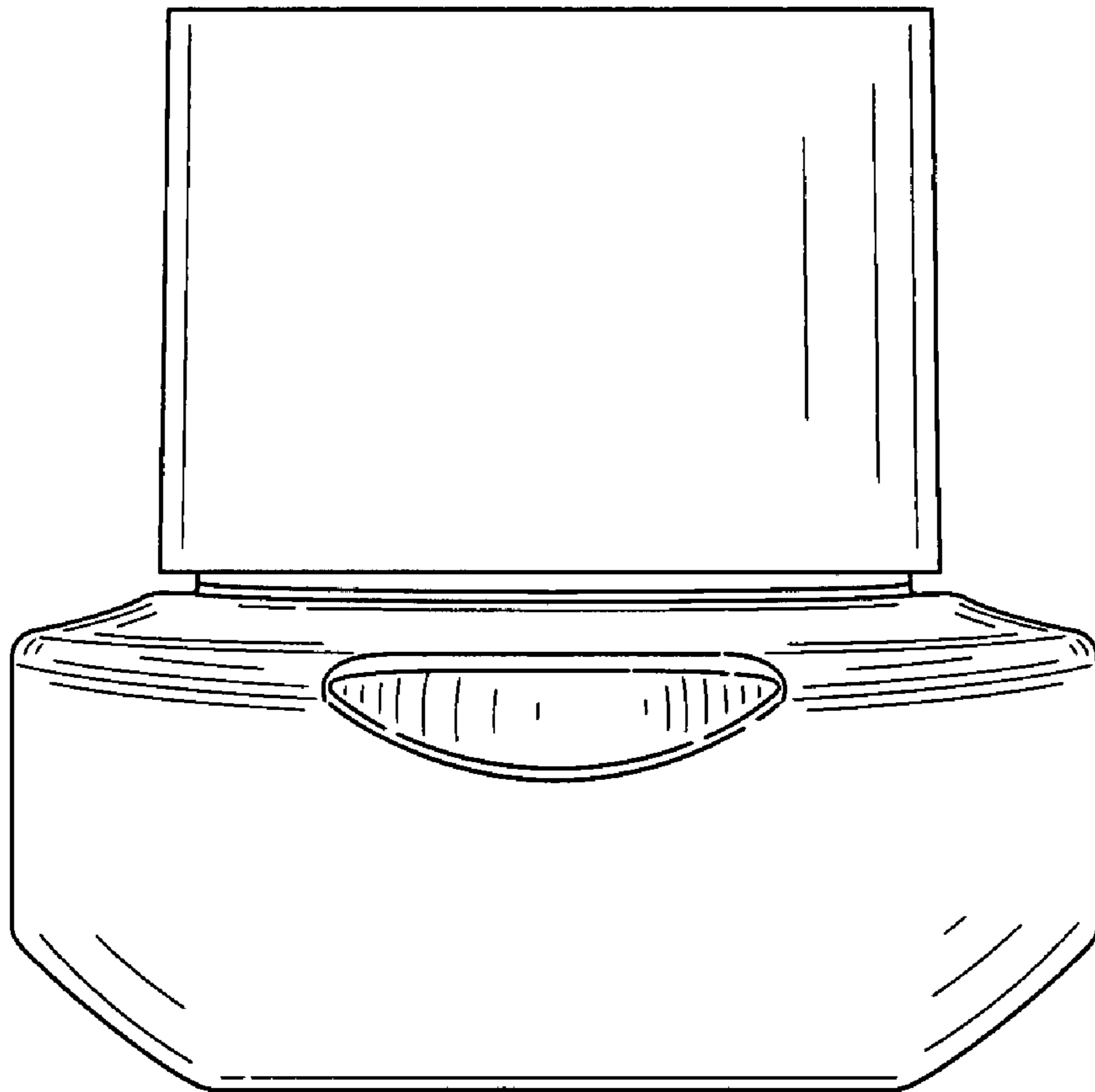


FIG. 6

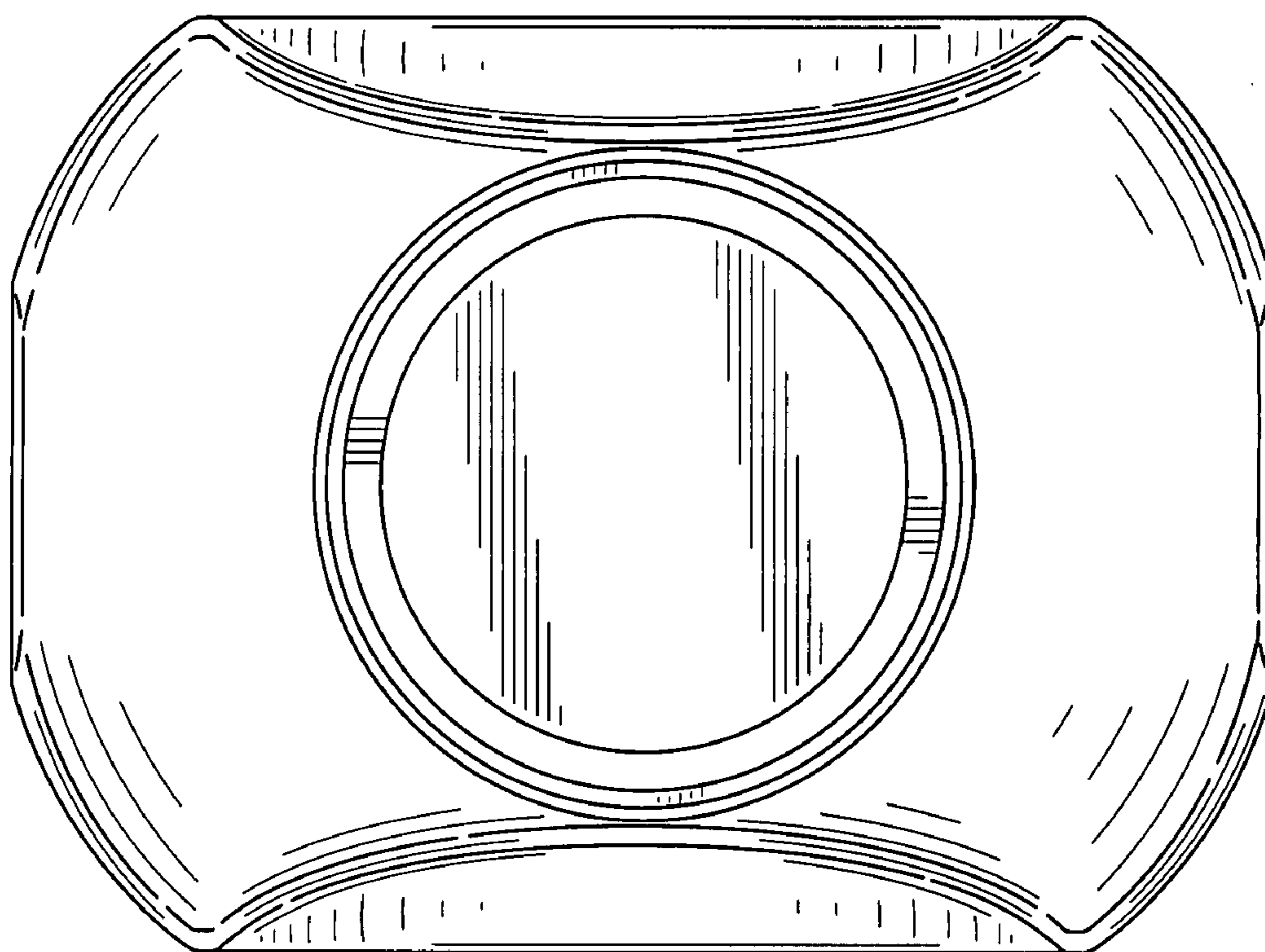


FIG. 7

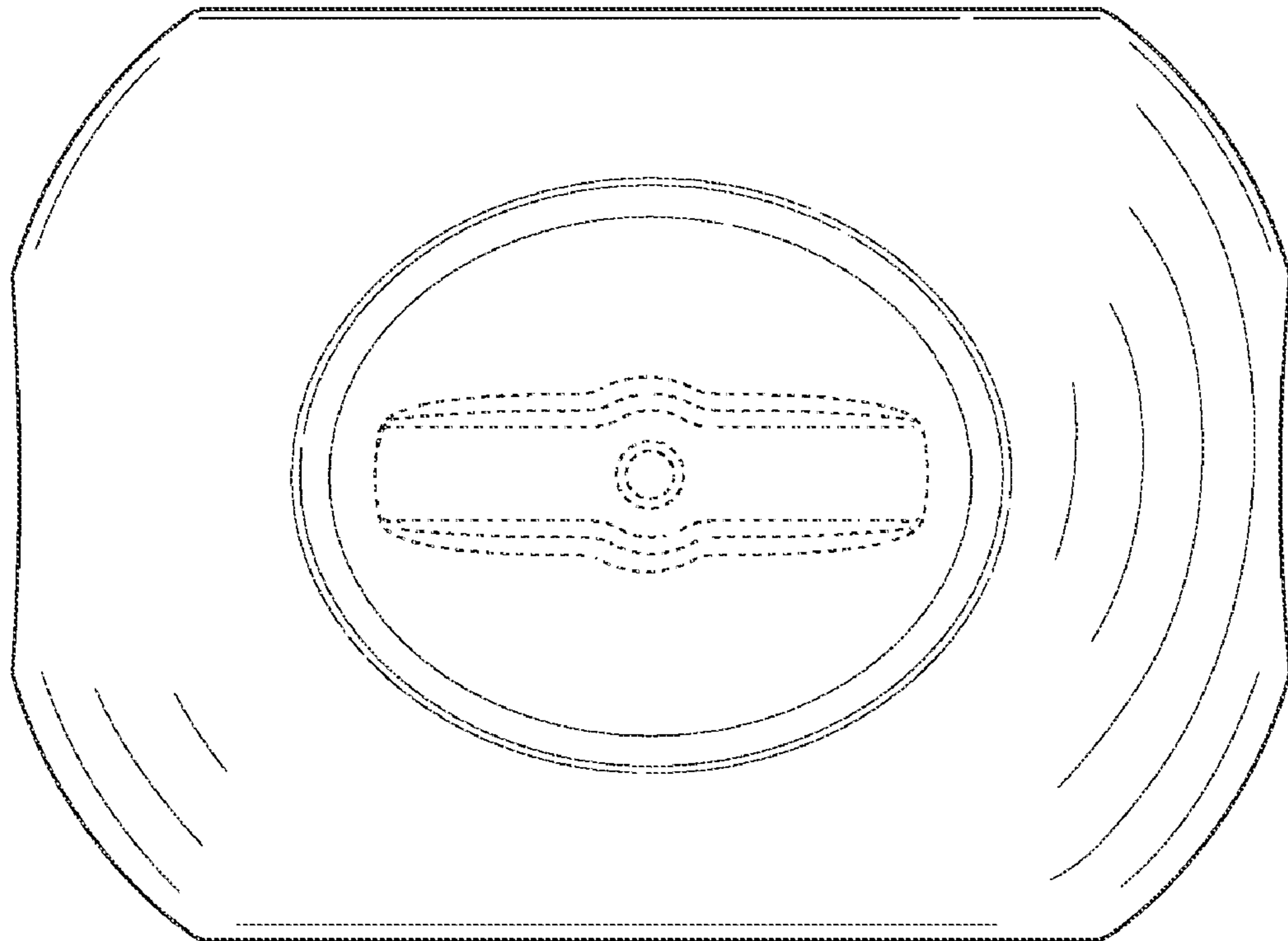


FIG. 8