



US00D580268S

(12) **United States Design Patent**
Roman et al.

(10) **Patent No.:** **US D580,268 S**

(45) **Date of Patent:** **** Nov. 11, 2008**

(54) **BOTTLE**

(75) Inventors: **Hector Roman**, Mason, OH (US);
Kevin Mark Moss, Cincinnati, OH
(US); **Juan Jose Bonilla**, Cincinnati, OH
(US)

(73) Assignee: **The Procter & Gamble Company**,
Cincinnati, OH (US)

(**) Term: **14 Years**

(21) Appl. No.: **29/266,434**

(22) Filed: **Sep. 20, 2006**

(30) **Foreign Application Priority Data**

Mar. 20, 2006 (EM) 000497342

(51) **LOC (8) Cl.** **09-01**

(52) **U.S. Cl.** **D9/516; D9/565**

(58) **Field of Classification Search** D9/516,
D9/522, 530, 531, 537, 543, 549, 551, 552,
D9/555, 564, 565, 568, 571; 215/381-385,
215/396, 398

See application file for complete search history.

(56) **References Cited**

U.S. PATENT DOCUMENTS

D207,430	S	*	4/1967	Shapler	D9/543
D228,382	S	*	9/1973	Sterges	D9/543
D247,424	S	*	3/1978	Luedtke	D9/529
4,572,384	A	*	2/1986	Vesborg	215/385
D308,631	S	*	6/1990	Burns et al.	D9/520
D368,660	S	*	4/1996	Terwilleger et al.	D9/528
D421,573	S	*	3/2000	Zogg	D9/520
D426,468	S	*	6/2000	Harrity et al.	D9/531

D454,072	S	*	3/2002	Harrity et al.	D9/531
D512,916	S	*	12/2005	Floyd et al.	D9/516
D540,680	S	*	4/2007	Perry et al.	D9/516
D543,460	S	*	5/2007	Perry et al.	D9/516
D545,203	S	*	6/2007	Perry et al.	D9/529
D554,998	S	*	11/2007	Perry et al.	D9/516
D555,001	S	*	11/2007	Perry et al.	D9/529
D555,003	S	*	11/2007	Perry et al.	D9/552
2005/0184027	A1	*	8/2005	Floyd et al.	215/384

* cited by examiner

Primary Examiner—Stella M Reid

Assistant Examiner—Elizabeth J Oswecki

(74) *Attorney, Agent, or Firm*—Idris N. McKelvey

(57) **CLAIM**

The ornamental design for a bottle, as shown and described.

DESCRIPTION

FIG. 1 is a perspective view of a bottle showing our new design;

FIG. 2 is a front elevation view thereof;

FIG. 3 is a back elevation view thereof;

FIG. 4 is a right side elevation thereof;

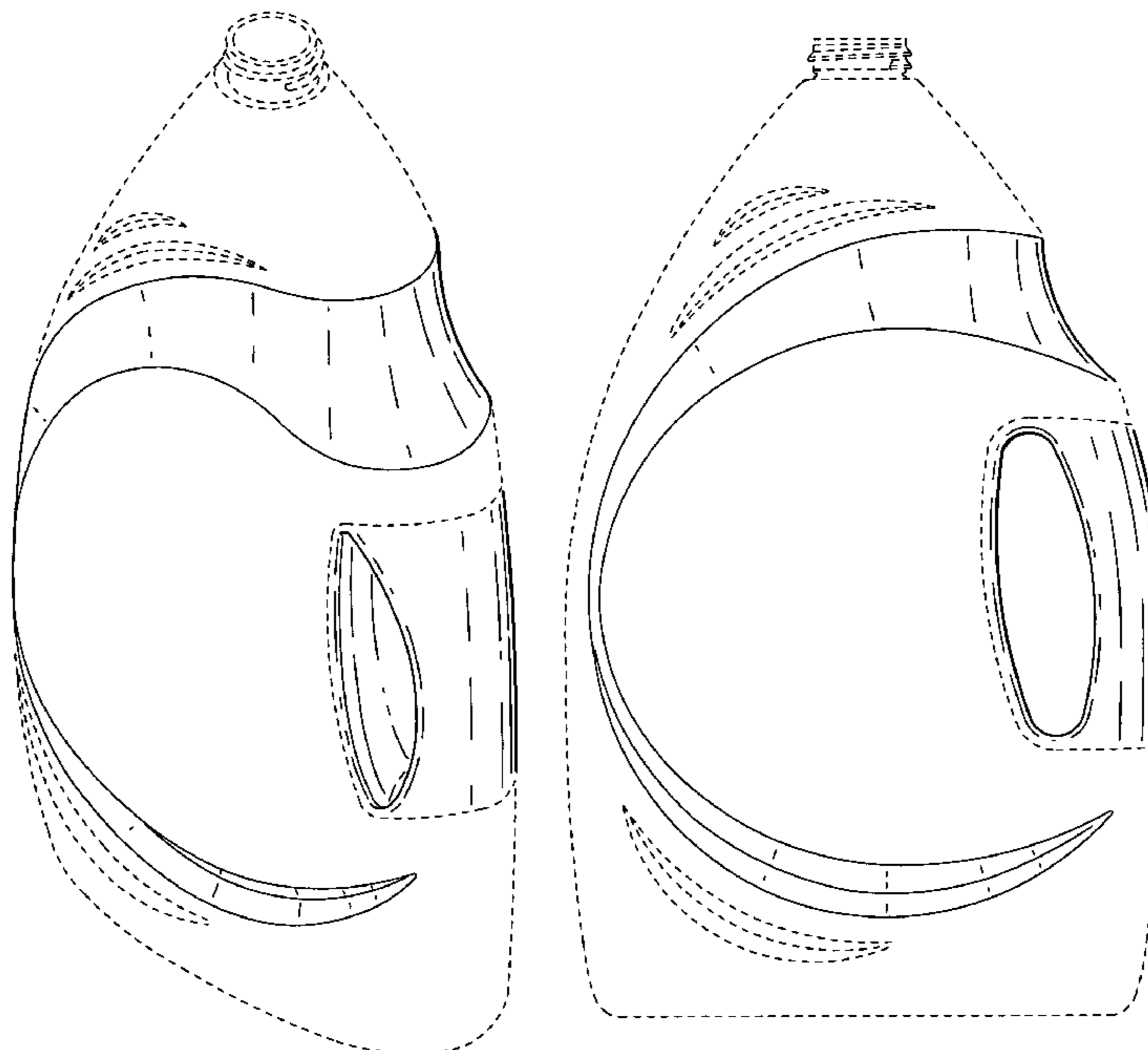
FIG. 5 is left side elevation thereof;

FIG. 6 is a top plan thereof; and,

FIG. 7 is a bottom plan thereof.

The broken line showing of a bottle and crescent shapes on the bottle is included for the purpose of illustrating only and forms no part of the claimed design. The portion of broken lines shown around the handle of the bottle forms a boundary line of the claimed design.

1 Claim, 5 Drawing Sheets



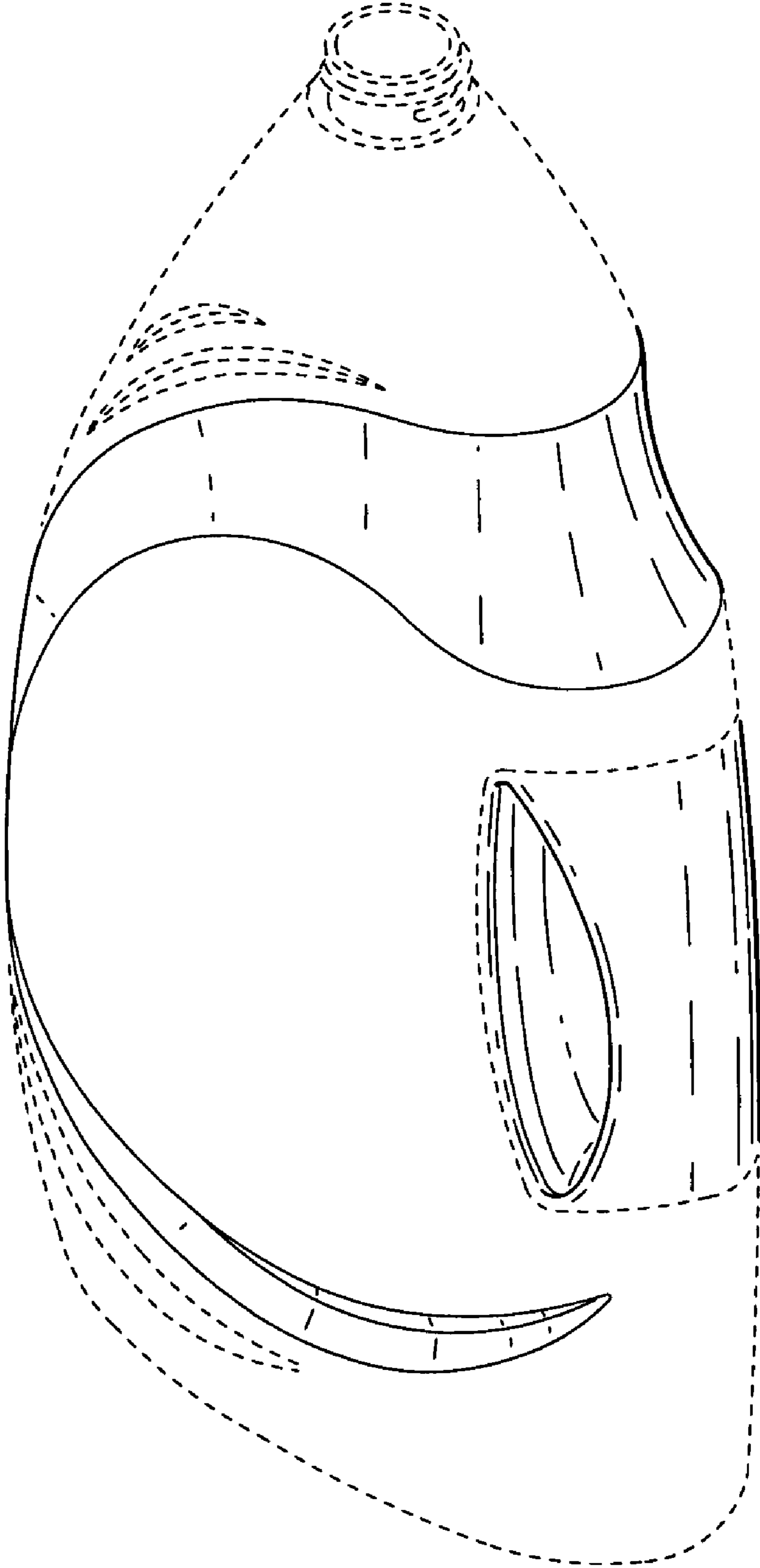


FIG. 1.

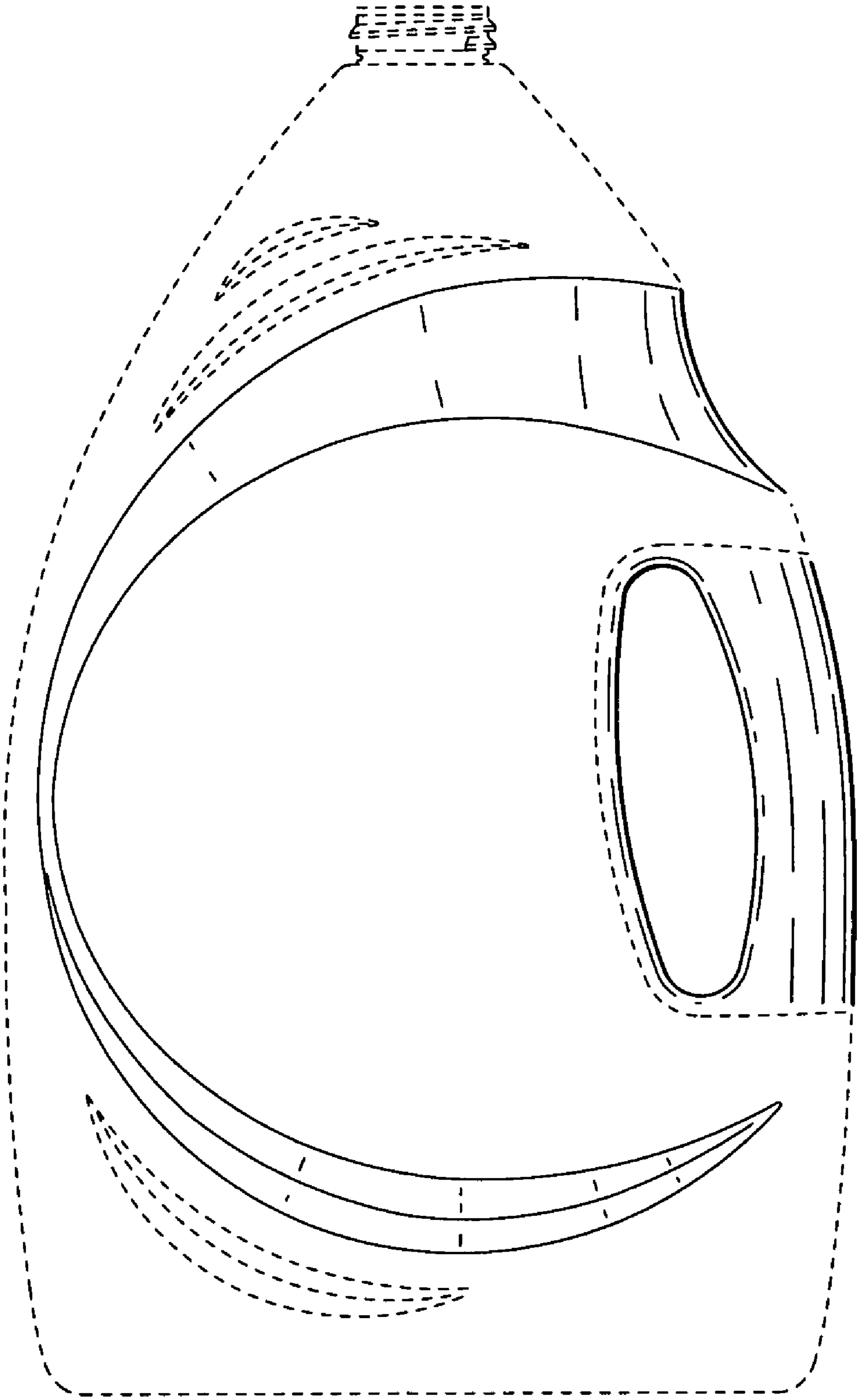


FIG. 2.

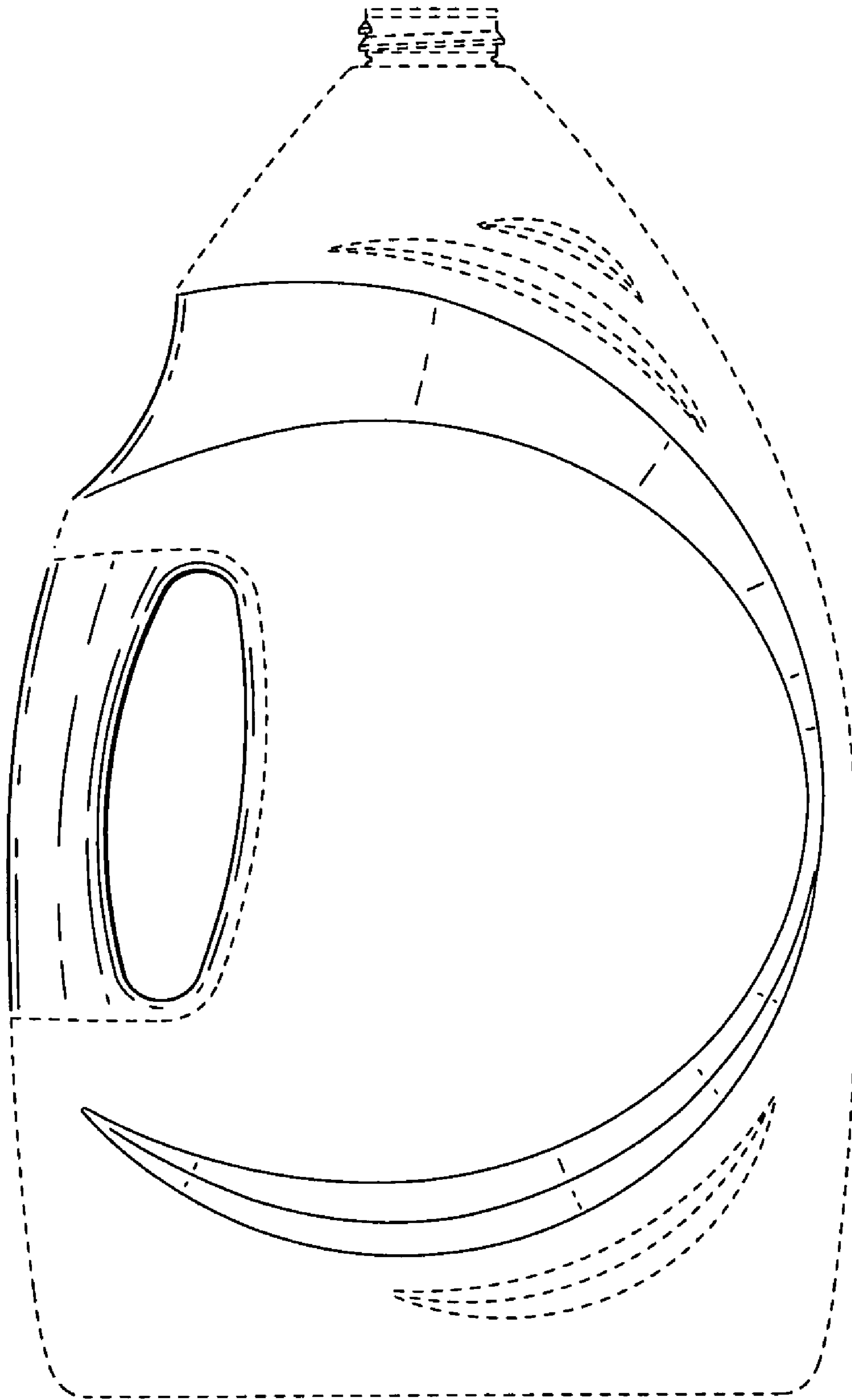


FIG. 3.

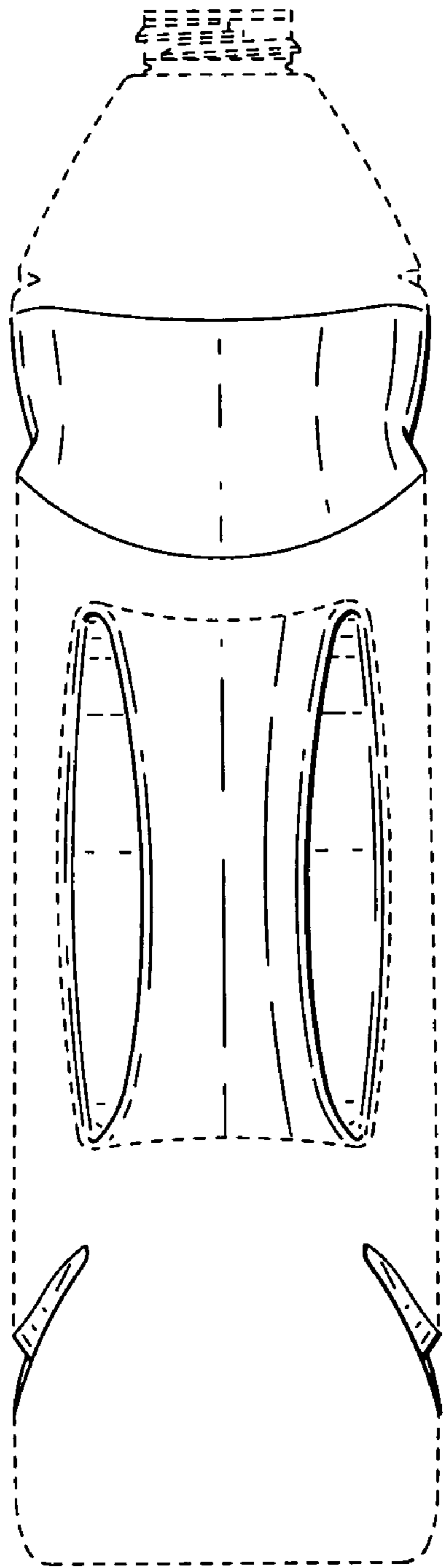


FIG. 4.

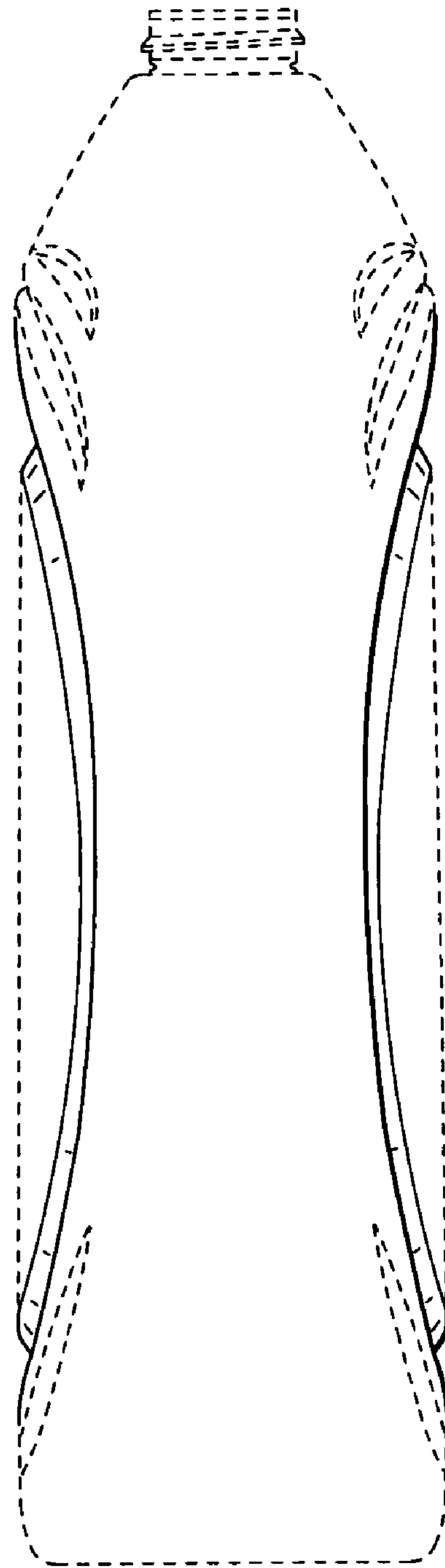


FIG. 5.

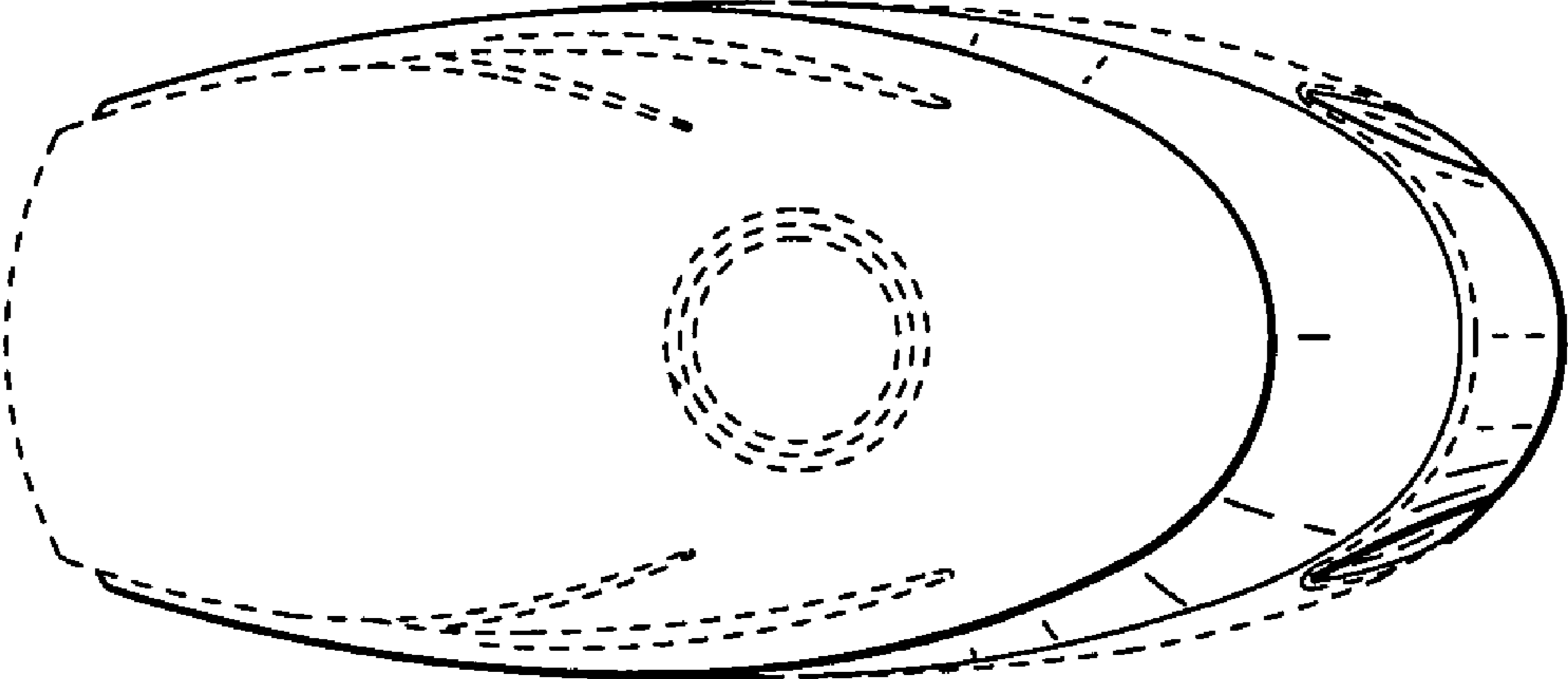


FIG. 6.

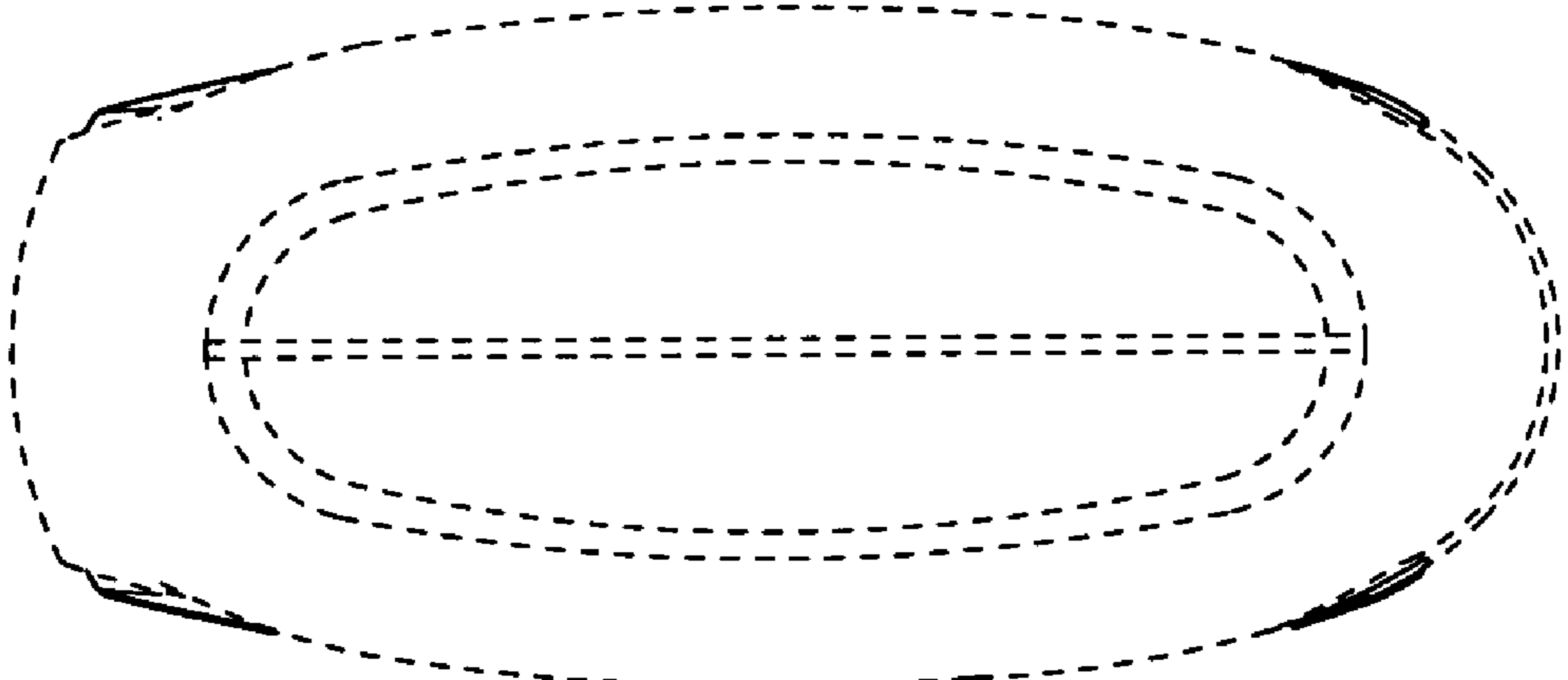


FIG. 7.