



US00D580266S

(12) **United States Design Patent**
Hecht

(10) **Patent No.:** **US D580,266 S**
(45) **Date of Patent:** **** Nov. 11, 2008**

(54) **BOTTLE HOLDER**

(75) Inventor: **Steven Hecht**, Wyckoff, NJ (US)

(73) Assignee: **Johnson & Johnson Consumer Companies, Inc.**, Skillman, NJ (US)

(**) Term: **14 Years**

(21) Appl. No.: **29/258,535**

(22) Filed: **Apr. 24, 2006**

(51) **LOC (8) Cl.** **09-07**

(52) **U.S. Cl.** **D9/455**

(58) **Field of Classification Search** D9/416,
D9/419, 433, 434, 435, 438, 455, 456, 517,
D9/719, 738, 739, 751; D2/627; 221/63;
206/194, 195, 409, 429, 824; D6/512; D3/202,
D3/215; D24/199, 227; D7/601; 248/127,
248/133, 139, 176.1, 176.3, 346.03

See application file for complete search history.

(56) **References Cited**

U.S. PATENT DOCUMENTS

4,631,783	A	12/1986	Hayashi	
5,147,079	A	9/1992	Heather	
D375,459	S	11/1996	Tipp	
5,573,152	A	11/1996	Arnold	
D403,958	S	1/1999	Stepok	
D438,626	S *	3/2001	Broussard et al.	D24/199
D447,333	S *	9/2001	Phetthaweebancha	D3/215
D448,298	S	9/2001	Simkins	
D462,775	S *	9/2002	Minor	D24/199
6,481,590	B1	11/2002	Simkins	
6,695,371	B1	2/2004	Simkins	
D487,660	S	3/2004	Sayers et al.	
D489,256	S *	5/2004	Kelleghan	D9/434
D490,235	S *	5/2004	Nykoluk	D3/202
D491,465	S *	6/2004	Kelleghan	D9/434
D494,471	S *	8/2004	Chou	D9/455
D496,588	S *	9/2004	Matsuo	D9/434
D512,910	S *	12/2005	Haslam	D9/434

D535,562	S *	1/2007	Wisler et al.	D9/455
D547,578	S *	7/2007	Johannsen	D6/512
D559,989	S *	1/2008	Martinelli	D24/199
2003/0111496	A1	6/2003	Abbott	
2005/0109803	A1	5/2005	Shin	

FOREIGN PATENT DOCUMENTS

DE	9101961	6/1991
JP	2001286324	10/2001
JP	2004352274	12/2004

OTHER PUBLICATIONS

Bacti Control hand sanitizer packaging (color photographs) ca. Aug. 2005.

* cited by examiner

Primary Examiner—T. Chase Nelson

Assistant Examiner—Barbara B Lohr

(74) *Attorney, Agent, or Firm*—Karen G. Horowitz

(57) **CLAIM**

The ornamental design for a bottle holder, as shown and described.

DESCRIPTION

FIG. 1 is a perspective view of a bottle holder.

FIG. 2 is a top plan view of the bottle holder shown in FIG. 1.

FIG. 3 is a front side elevational view of the bottle holder shown in FIG. 1.

FIG. 4 is a rear side elevational view of the bottle holder shown in FIG. 1.

FIG. 5 is a right side elevational view of the bottle holder shown in FIG. 1.

FIG. 6 is a left side elevational view of the bottle holder shown in FIG. 1; and,

FIG. 7 is a bottom plan view of the bottle holder shown in FIG. 1.

1 Claim, 2 Drawing Sheets

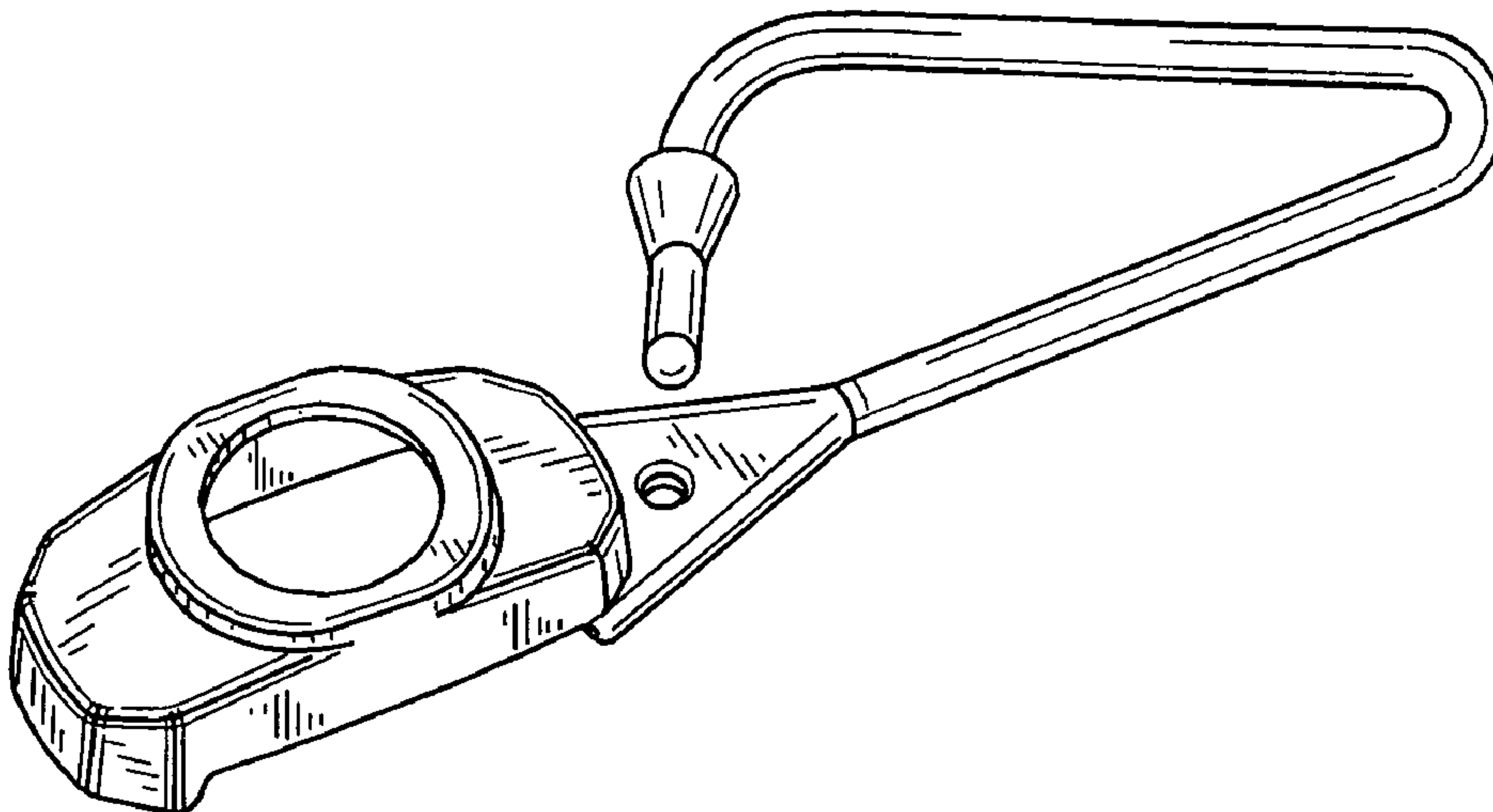


FIG. 1

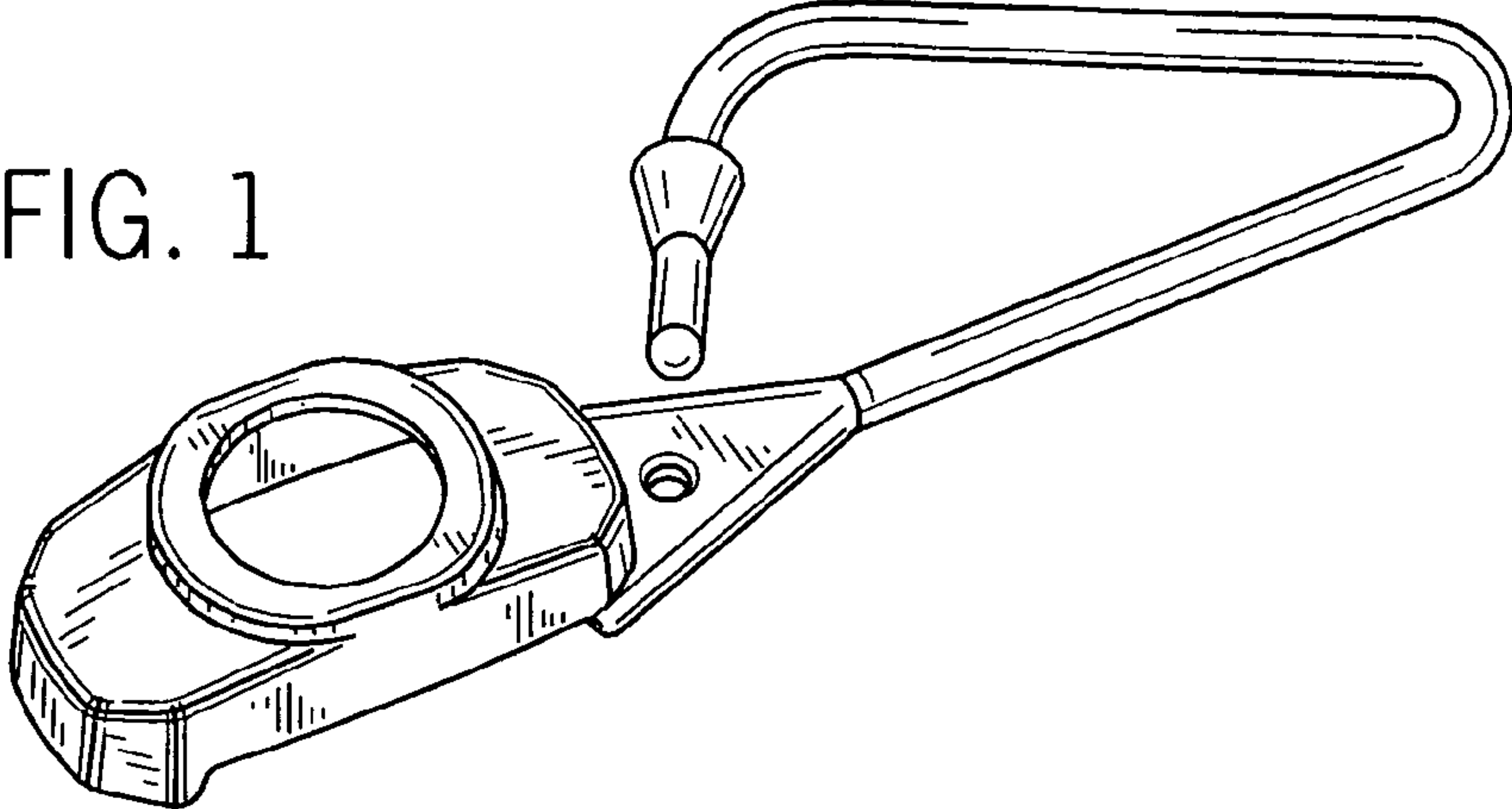


FIG. 2

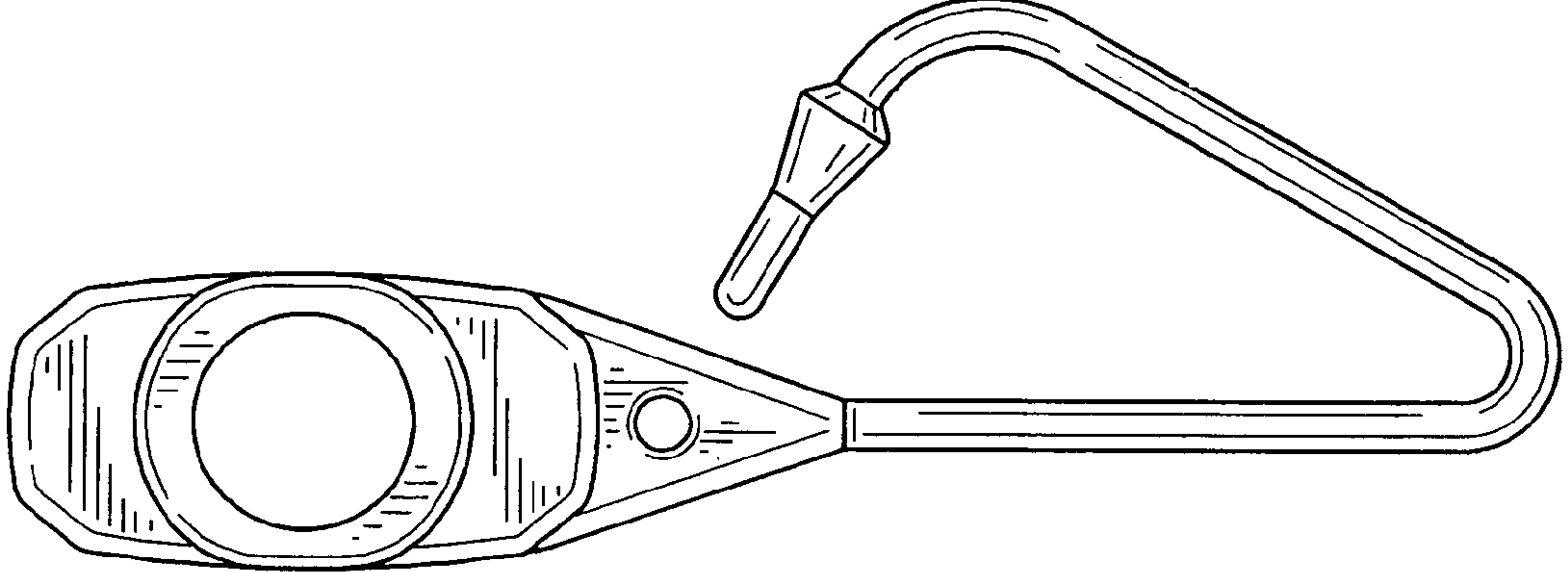
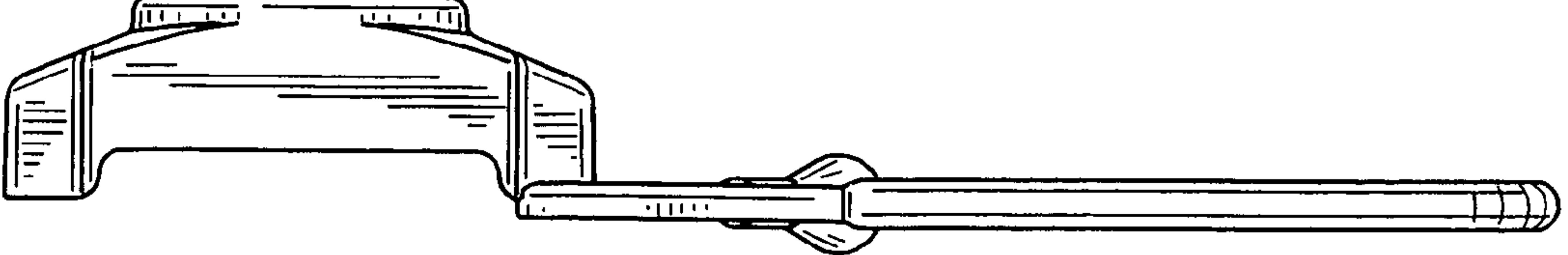


FIG. 3



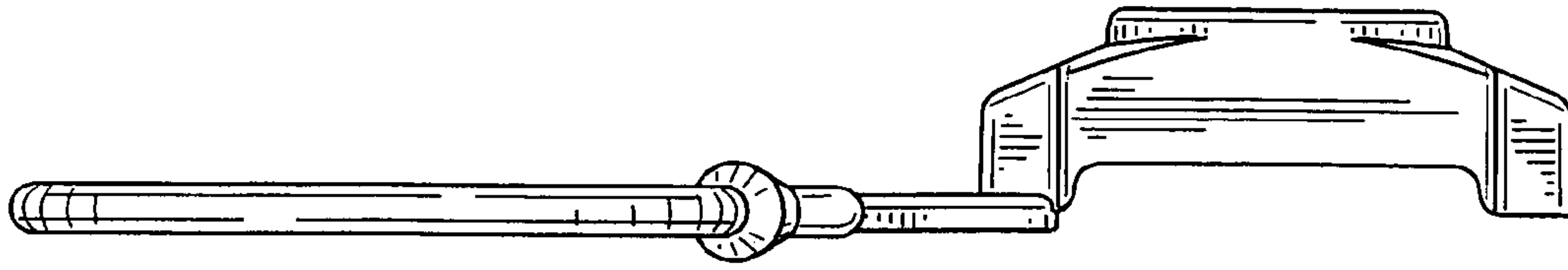


FIG. 4

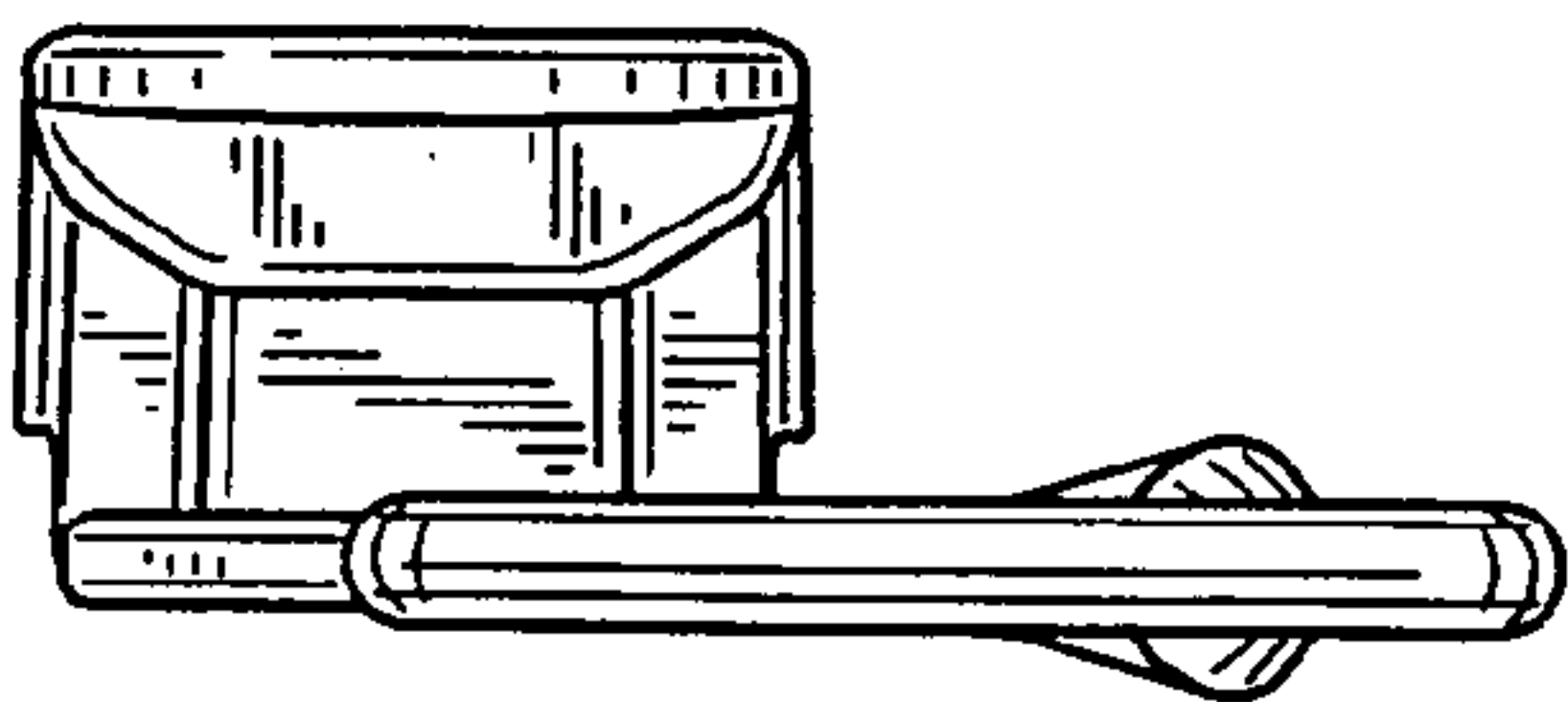


FIG. 5

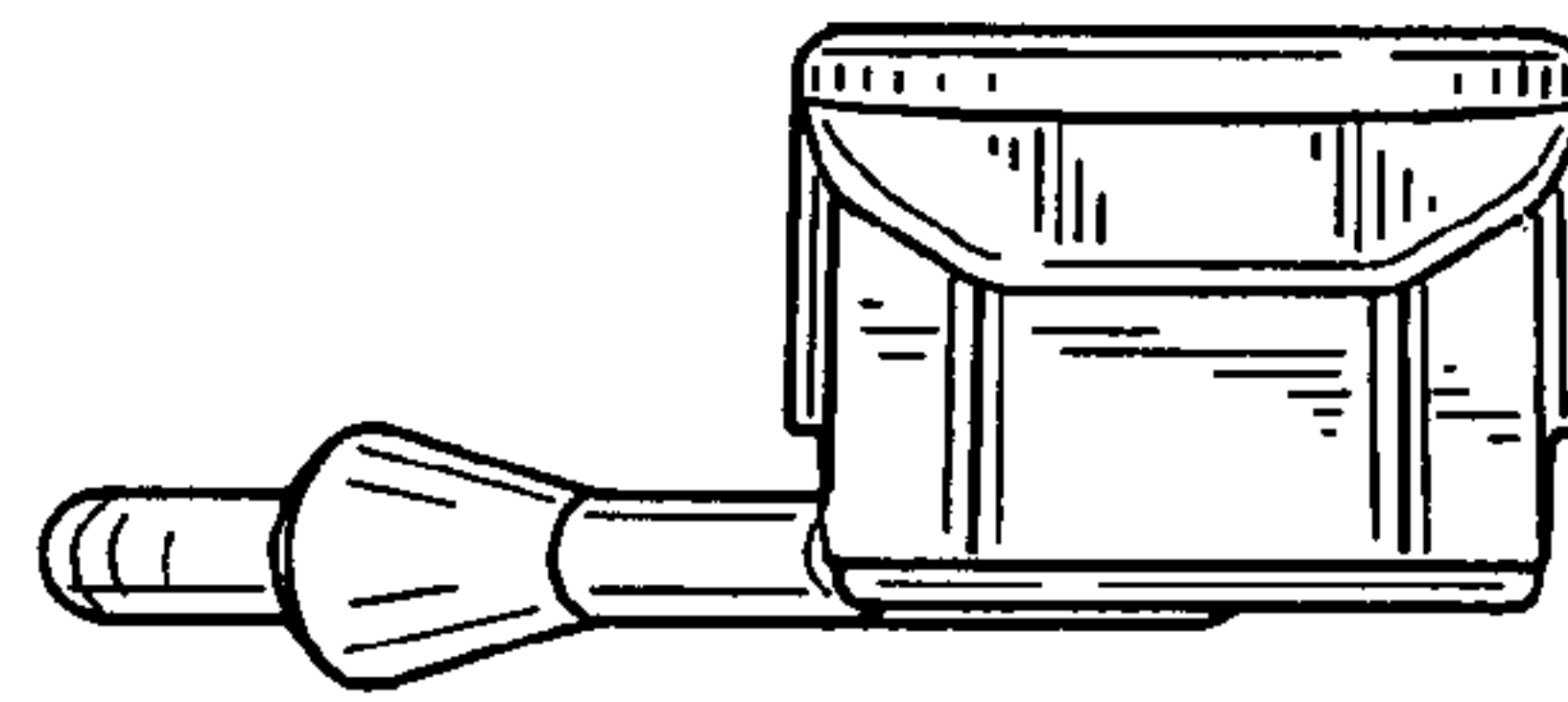


FIG. 6

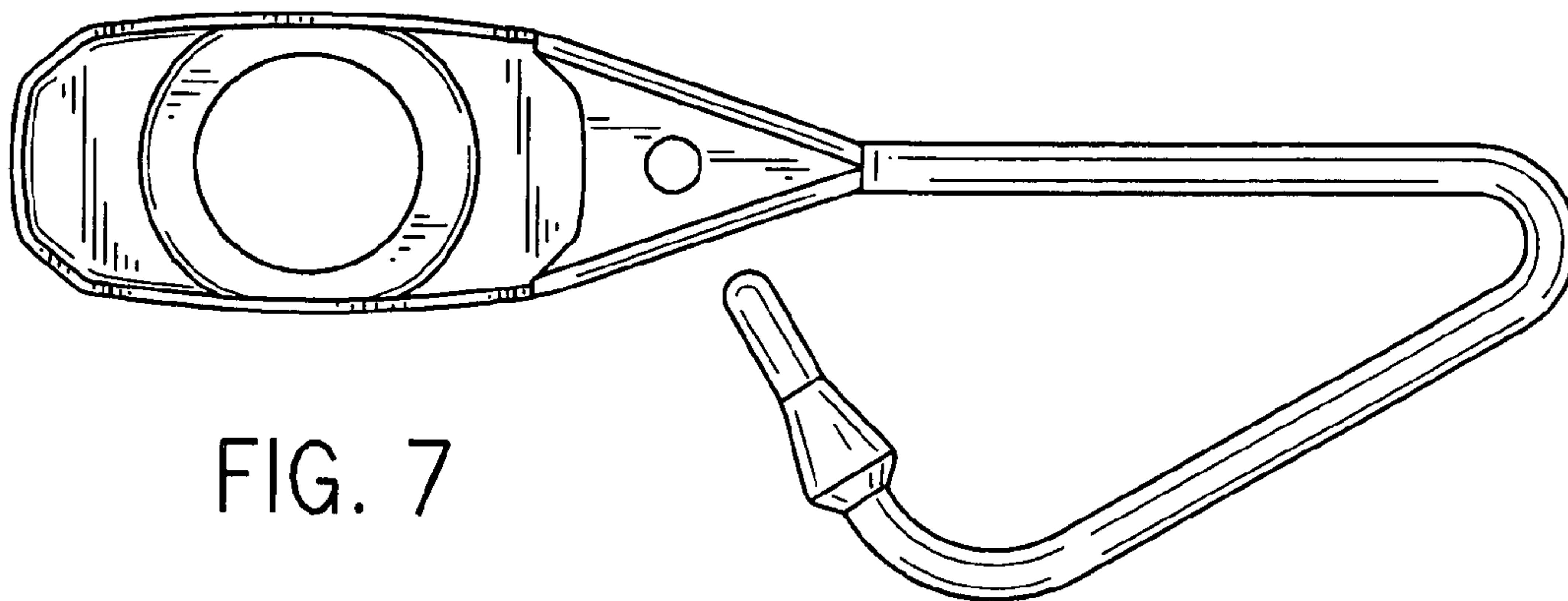


FIG. 7