



US00D580264S

(12) **United States Design Patent**
Szasz

(10) **Patent No.:** **US D580,264 S**
(45) **Date of Patent:** **** Nov. 11, 2008**

- (54) **DISPENSING CLOSURE**
- (75) Inventor: **David A. Szasz**, Crawfordsville, IN (US)
- (73) Assignee: **Alcoa Closure Systems International, Inc.**, Crawfordsville, IN (US)
- (**) Term: **14 Years**
- (21) Appl. No.: **29/291,127**
- (22) Filed: **Aug. 15, 2007**
- (51) **LOC (8) Cl.** **09-07**
- (52) **U.S. Cl.** **D9/447; D9/453**
- (58) **Field of Classification Search** D9/733,
D9/726, 529, 501, 503, 454, 450, 449, 447,
D9/440, 435; D28/7; D24/224; 222/566,
222/562, 255, 254.1; 220/288, 259.3, 257.1,
220/256.1, 254.1, 212; 215/252
See application file for complete search history.

- D338,830 S * 8/1993 Leoncavallo et al. D9/447
- 5,328,058 A 7/1994 Leoncavallo et al.
- D352,004 S 11/1994 Bikoff et al.
- D385,491 S 10/1997 Mueller et al.
- 5,743,444 A * 4/1998 Beck et al. 222/521
- D402,889 S 12/1998 Rutter
- D405,693 S 2/1999 Bretz et al.
- 5,975,369 A 11/1999 Yurkewicz et al.
- D423,358 S * 4/2000 Kreiseder D9/449
- D424,442 S * 5/2000 Kreiseder D9/449
- D435,793 S * 1/2001 Kreiseder D9/449
- D438,114 S * 2/2001 Stonberg D9/449
- D440,495 S 4/2001 Hathaway
- D448,667 S * 10/2001 Warner et al. D9/449
- D464,263 S * 10/2002 White et al. D9/447
- D494,279 S * 8/2004 Cogan et al. D24/224
- D523,749 S * 6/2006 Kolanus et al. D9/448
- 2006/0163189 A1 7/2006 Laveault et al.

* cited by examiner

Primary Examiner—Gary D. Watson
Assistant Examiner—Susan B Hattan
(74) *Attorney, Agent, or Firm*—Wood, Phillips, Katz, Clark & Mortimer

(56) **References Cited**
U.S. PATENT DOCUMENTS

- 3,045,860 A 7/1962 Harvey
- 3,690,521 A 9/1972 Middleton
- 4,204,615 A 5/1980 McCarthy
- D261,992 S 11/1981 Tuthill et al.
- 4,424,918 A 1/1984 Stull
- 4,438,870 A 3/1984 Stull
- 4,461,454 A 7/1984 Vadnais
- 4,474,314 A 10/1984 Roggenburg, Jr.
- 4,705,181 A 11/1987 Burke et al.
- 4,754,899 A 7/1988 Stull
- 4,805,807 A 2/1989 Perne et al.
- 4,927,065 A 5/1990 Beck
- 4,967,941 A 11/1990 Beck
- D337,943 S 8/1993 Sirgo et al.

(57) **CLAIM**

The ornamental design for a dispensing closure, substantially as shown and described.

DESCRIPTION

FIG. 1 is a top perspective view of the present design;
FIG. 2 is a front elevational view of the present design;
FIG. 3 is a side elevational view thereof; and,
FIG. 4 is a top plan view thereof.

1 Claim, 2 Drawing Sheets

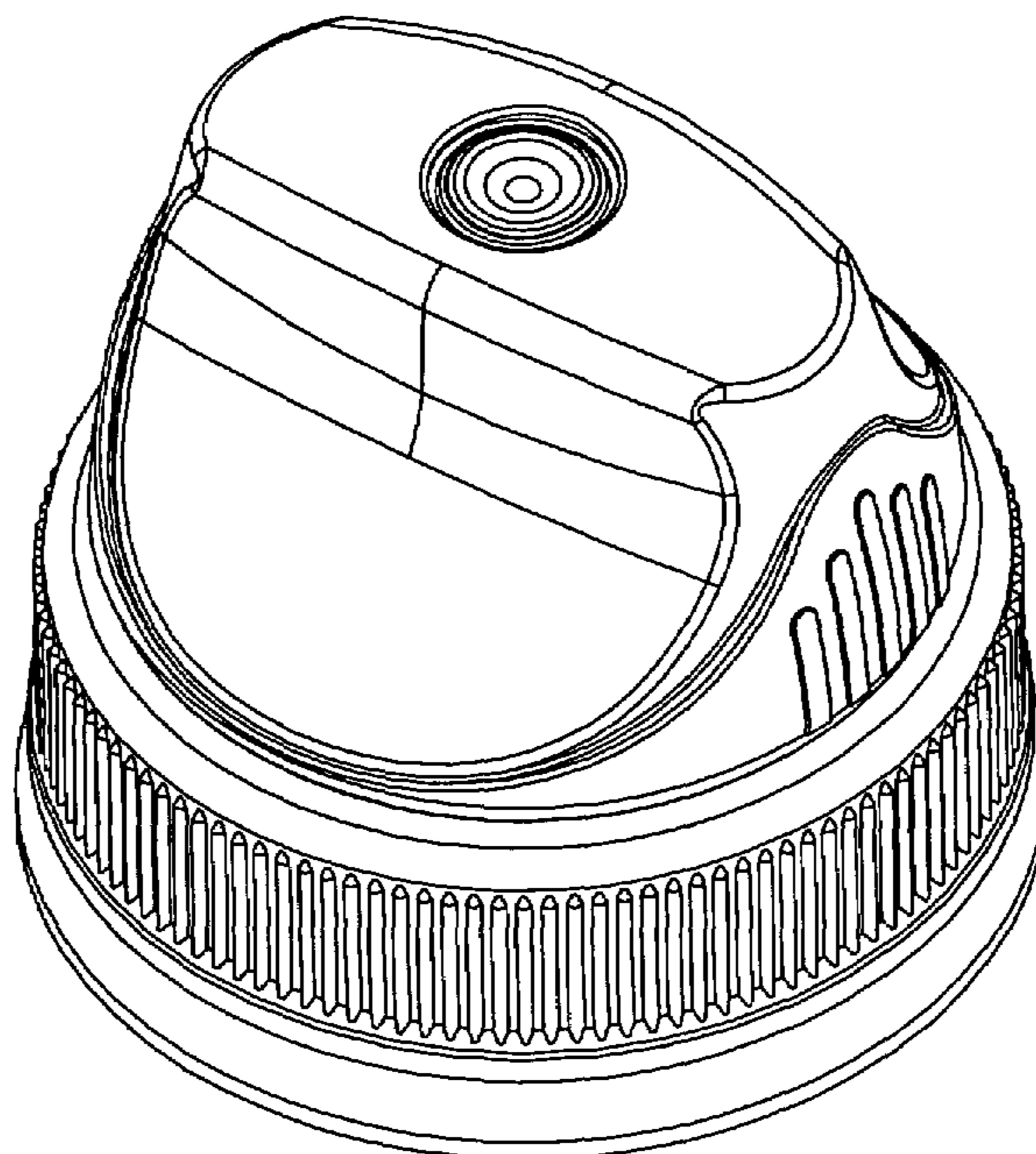


FIG. 1

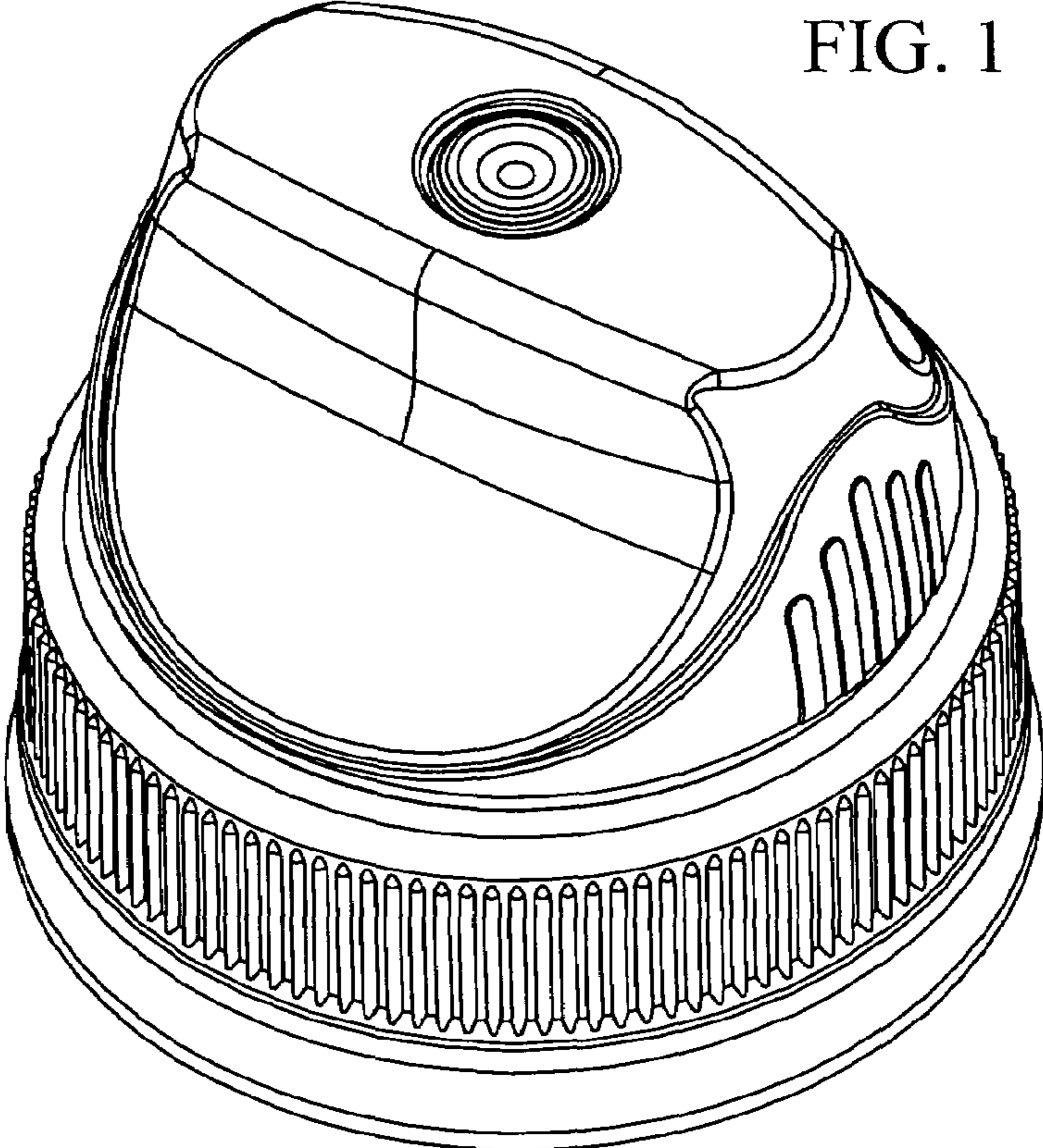


FIG. 2

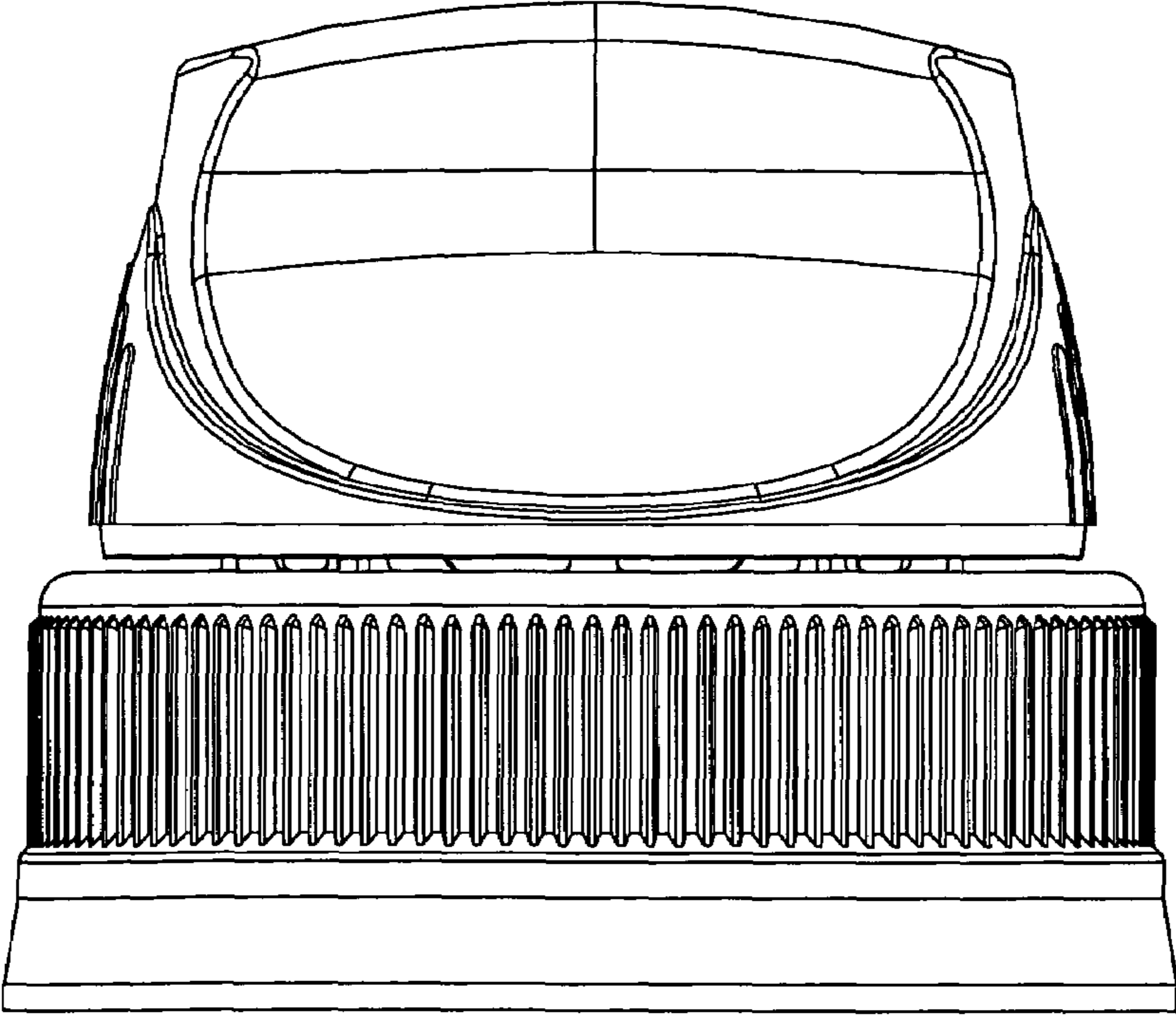


FIG. 3

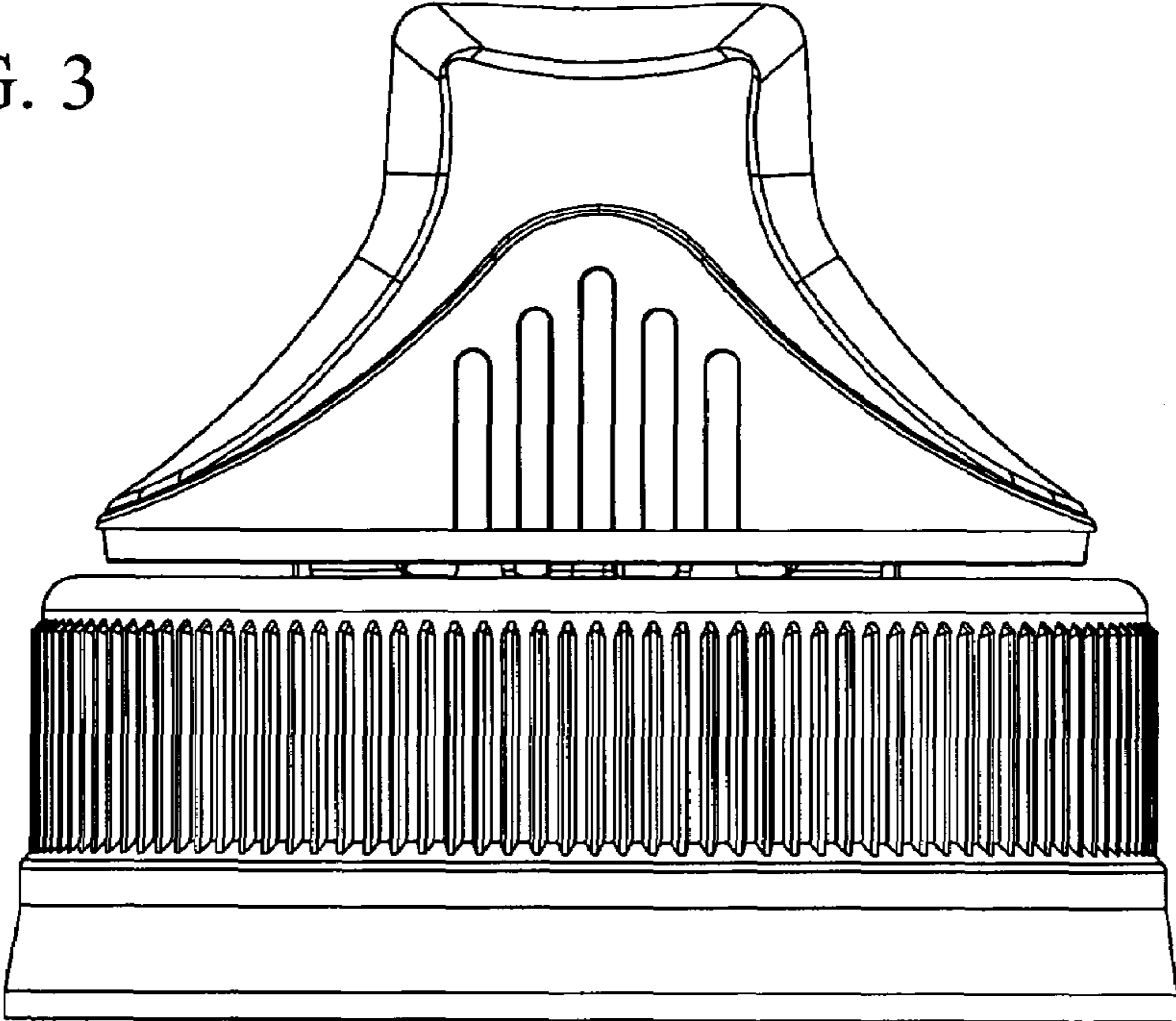


FIG. 4

