



US00D580263S

(12) **United States Design Patent**
Yi Man

(10) **Patent No.:** **US D580,263 S**
(45) **Date of Patent:** **** Nov. 11, 2008**

(54) **COLLAPSIBLE BOX**

(76) Inventor: **Francis Leung Yi Man**, Flat 16, 15th
Floor, Profit Industrial Building, 1-15
Kwai Fung Crescent, Kwai Chung, New
Territories (HK)

(**) Term: **14 Years**

(21) Appl. No.: **29/294,411**

(22) Filed: **Jan. 10, 2008**

(30) **Foreign Application Priority Data**

Sep. 24, 2007 (HK) 0702383

(51) **LOC (8) Cl.** **09-03**

(52) **U.S. Cl.** **D9/432**

(58) **Field of Classification Search** D9/430-433,
D9/414-418, 420-429, 560, 737, 756; D3/273,
D3/302; 206/421, 454, 457, 775-778, 784,
206/822; 220/500, 523-529, 552, 555; 229/100,
229/103.3, 104-106, 108, 108.1, 109, 110,
229/111, 112, 117.09, 117.12, 117.15, 120,
229/125.015, 160.1, 162.1, 182.1, 215, 247,
229/406, 407, 902, 920, 922, 930, 942, 67.3,
229/67.4, 68.1; D19/2, 26

See application file for complete search history.

(56) **References Cited**

U.S. PATENT DOCUMENTS

1,566,041 A * 12/1925 Schaus 206/472
1,851,518 A * 3/1932 McGovern 229/146
2,061,992 A * 11/1936 Wilson 229/116.1
2,695,097 A * 11/1954 Easton 206/45.21
2,874,707 A * 2/1959 Koppel 132/315
2,875,936 A * 3/1959 Fowle 206/455
3,311,285 A * 3/1967 Korr 229/145
D233,654 S * 11/1974 Lawler D3/271.5
5,096,058 A * 3/1992 Juravin et al. 206/232
5,174,442 A * 12/1992 Kurnit 206/232

5,222,657 A * 6/1993 Holland, Jr. 229/103
5,586,717 A * 12/1996 Hallam 229/116.1
5,775,489 A * 7/1998 Vickers 206/307.1
D415,419 S * 10/1999 Abiteboul D9/423
6,012,631 A * 1/2000 Hallam 229/163
6,065,599 A * 5/2000 Lincoln 206/387.13
D447,687 S * 9/2001 Roby D9/422
6,719,143 B2 * 4/2004 Rice 206/746
D519,367 S * 4/2006 Alexander D9/433
D536,245 S * 2/2007 Bruun D9/432
D536,246 S * 2/2007 Schneider D9/432
D543,104 S * 5/2007 Frederiksen D9/422
2001/0006152 A1 * 7/2001 Henderson et al. 206/232

* cited by examiner

Primary Examiner—T. Chase Nelson

Assistant Examiner—Karen Acker

(74) *Attorney, Agent, or Firm*—Law Office of Segei Orel,
LLC

(57) **CLAIM**

I claim a collapsible box, as shown and described.

DESCRIPTION

FIG. 1 is a front view of the collapsible box showing my new design;

FIG. 2 is a top view thereof;

FIG. 3 is a rear view thereof;

FIG. 4 is a bottom view thereof;

FIG. 5 is a left side view thereof;

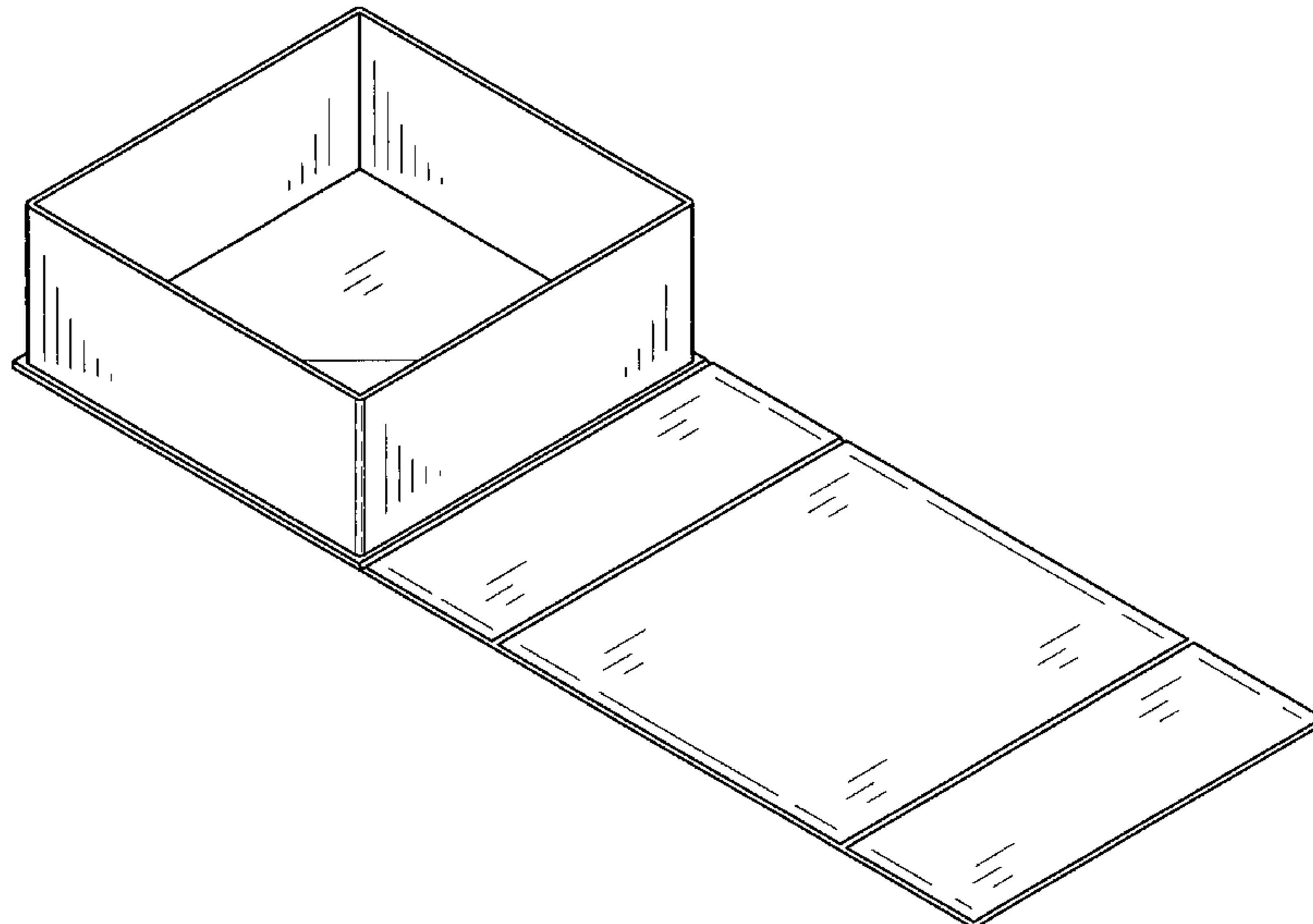
FIG. 6 is a right side view thereof;

FIG. 7 is a perspective view thereof;

FIG. 8 is an additional perspective view thereof showing the collapsible box in an open position; and,

FIG. 9 is an additional perspective view thereof showing the collapsible box in a flattened position.

1 Claim, 5 Drawing Sheets



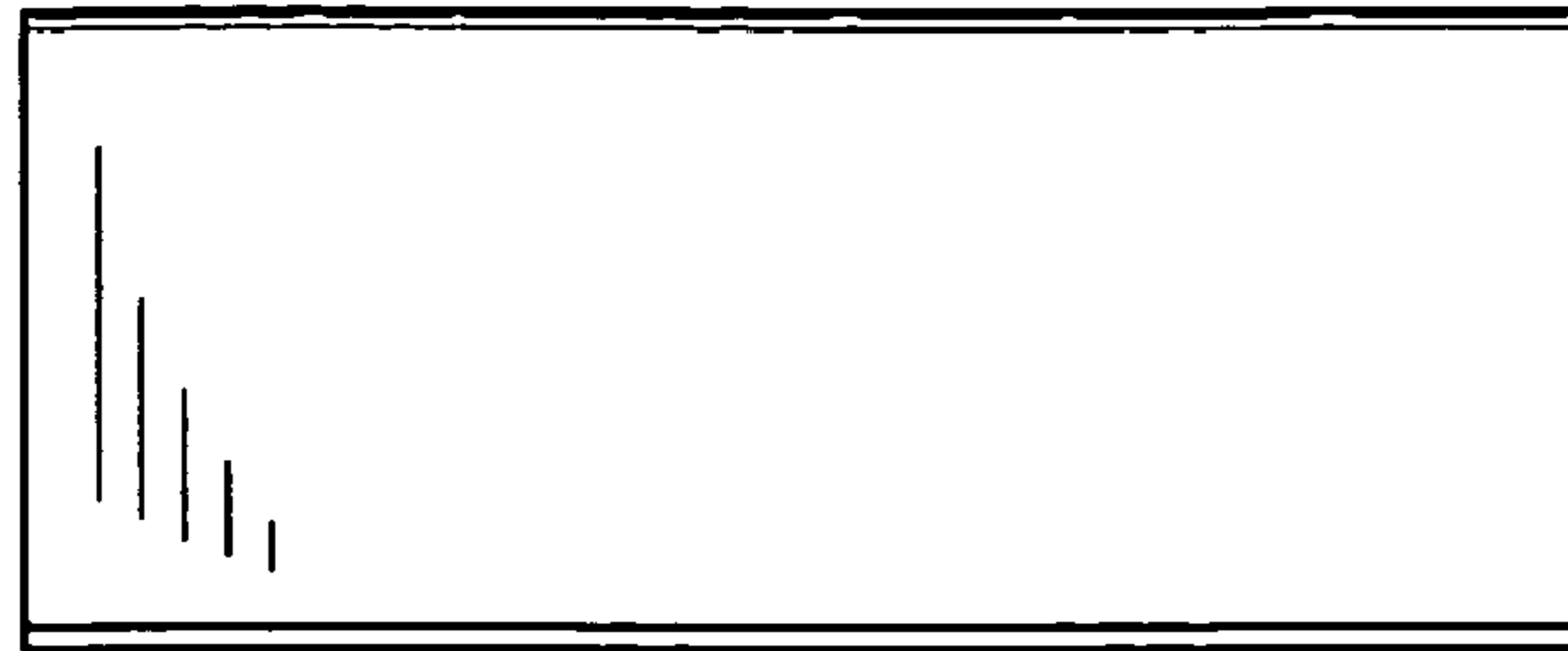


Fig.1

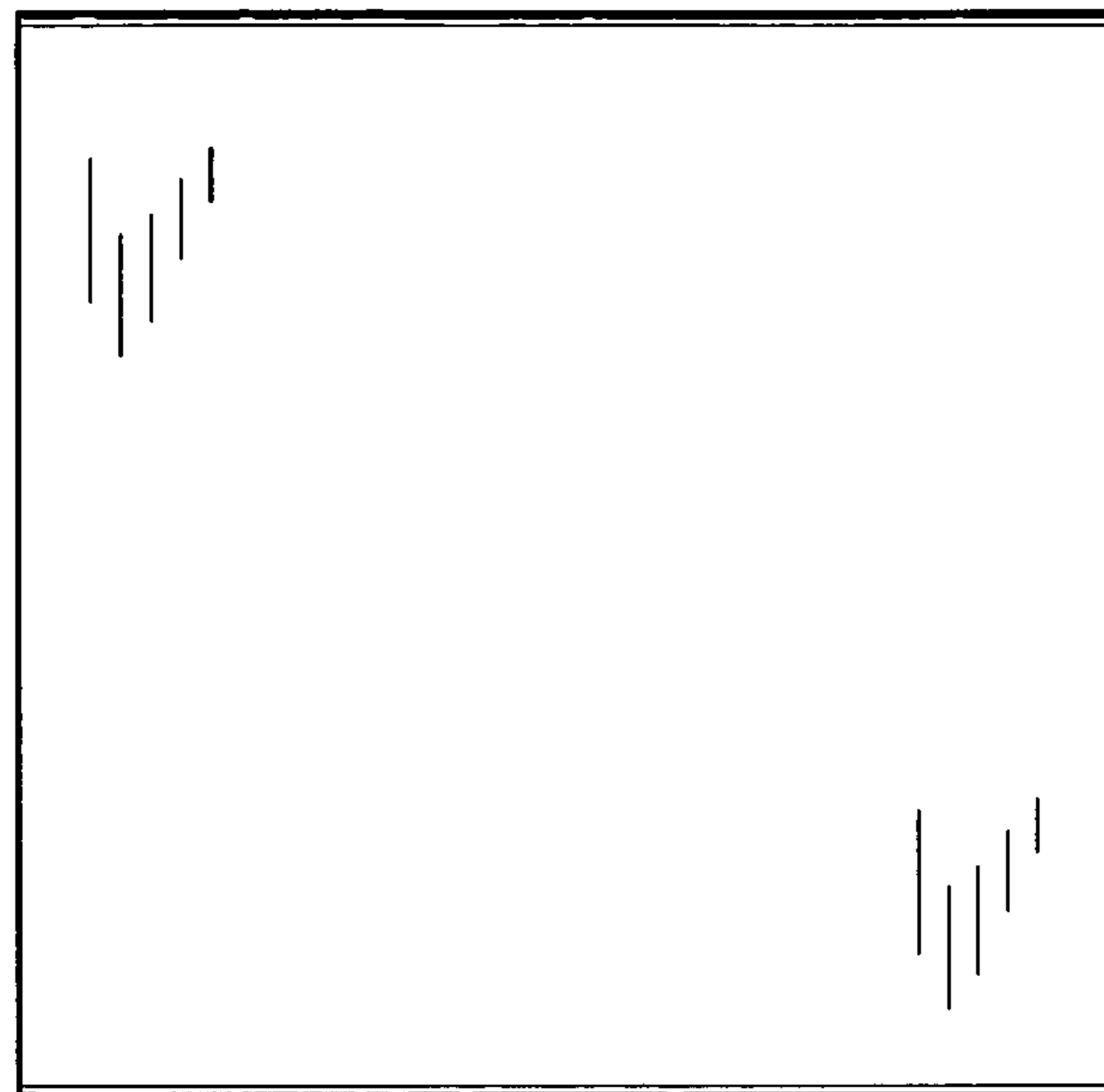


Fig.2

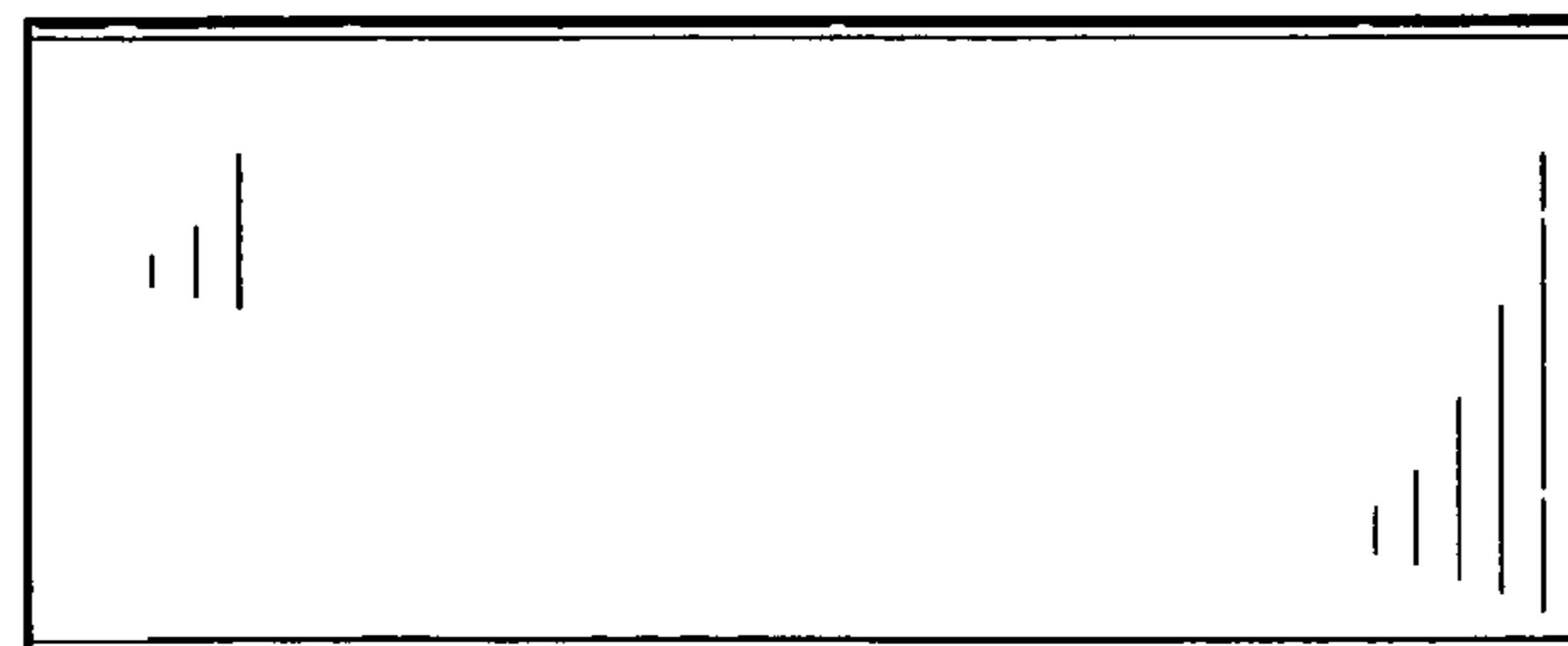


Fig.3

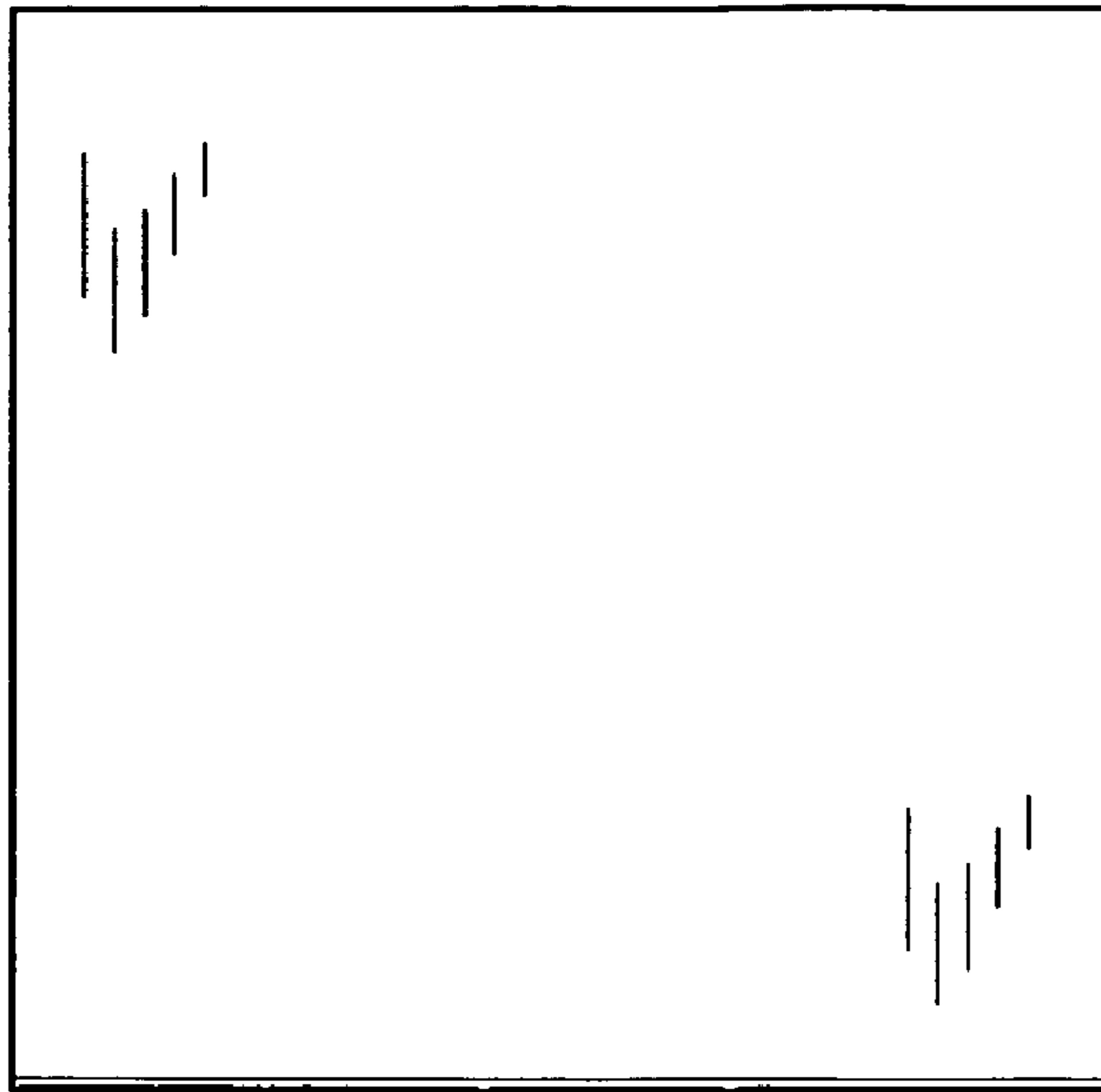


Fig.4



Fig.5

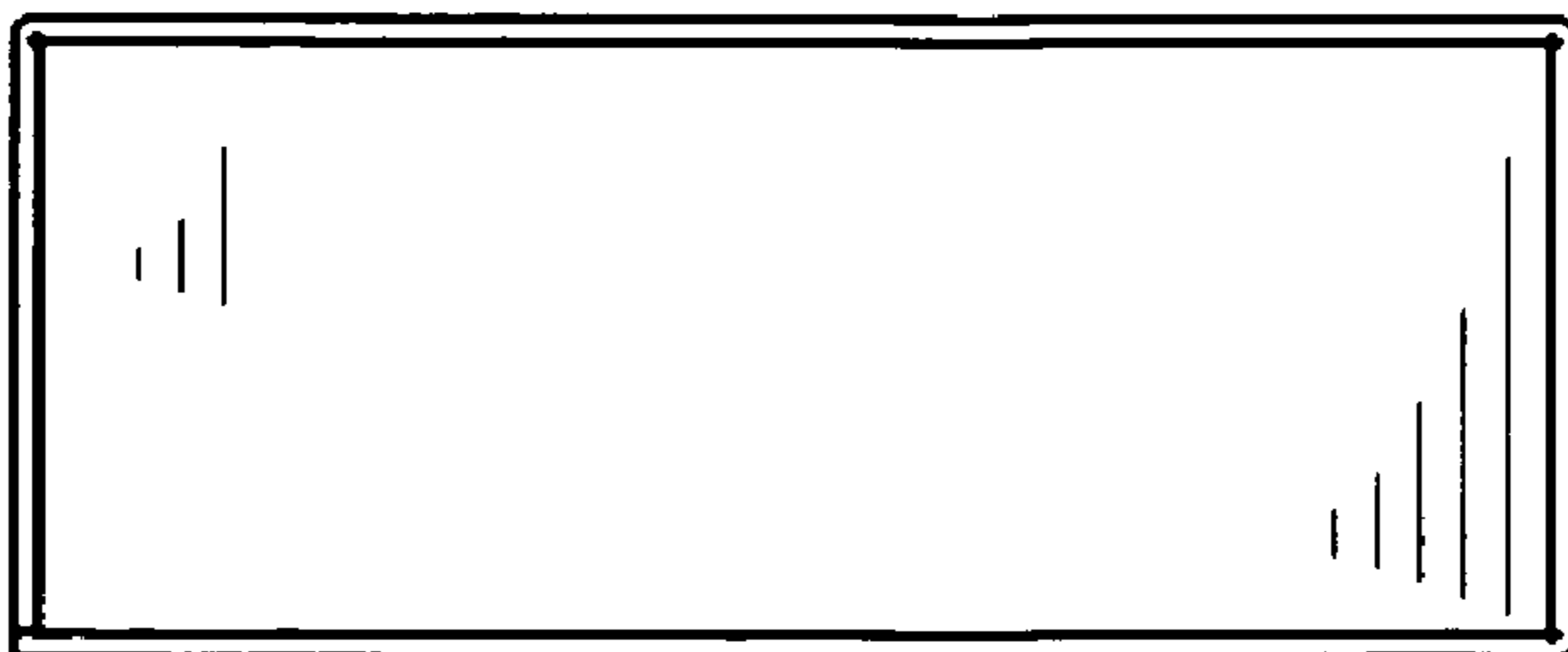


Fig.6

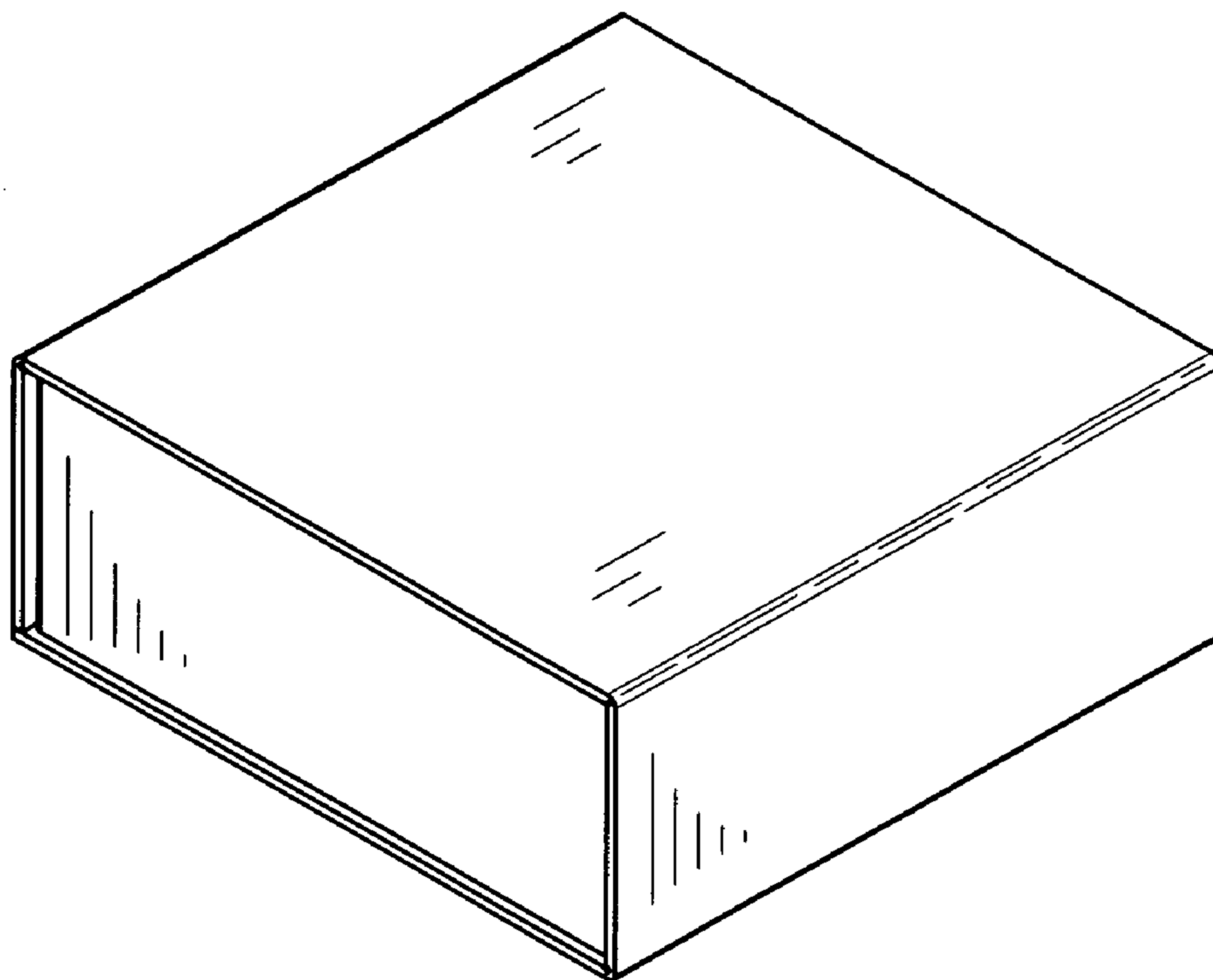


Fig.7

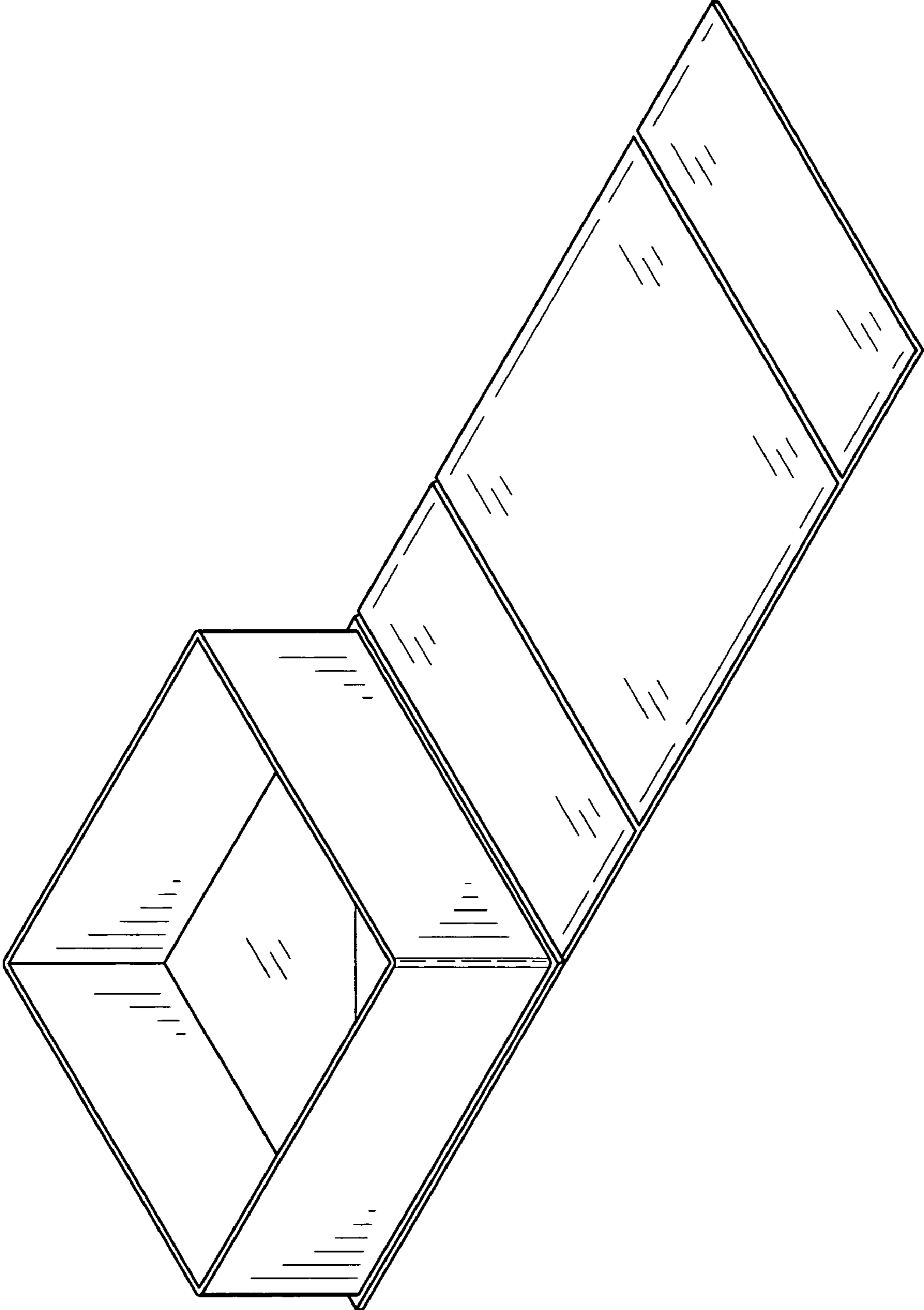


Fig.8

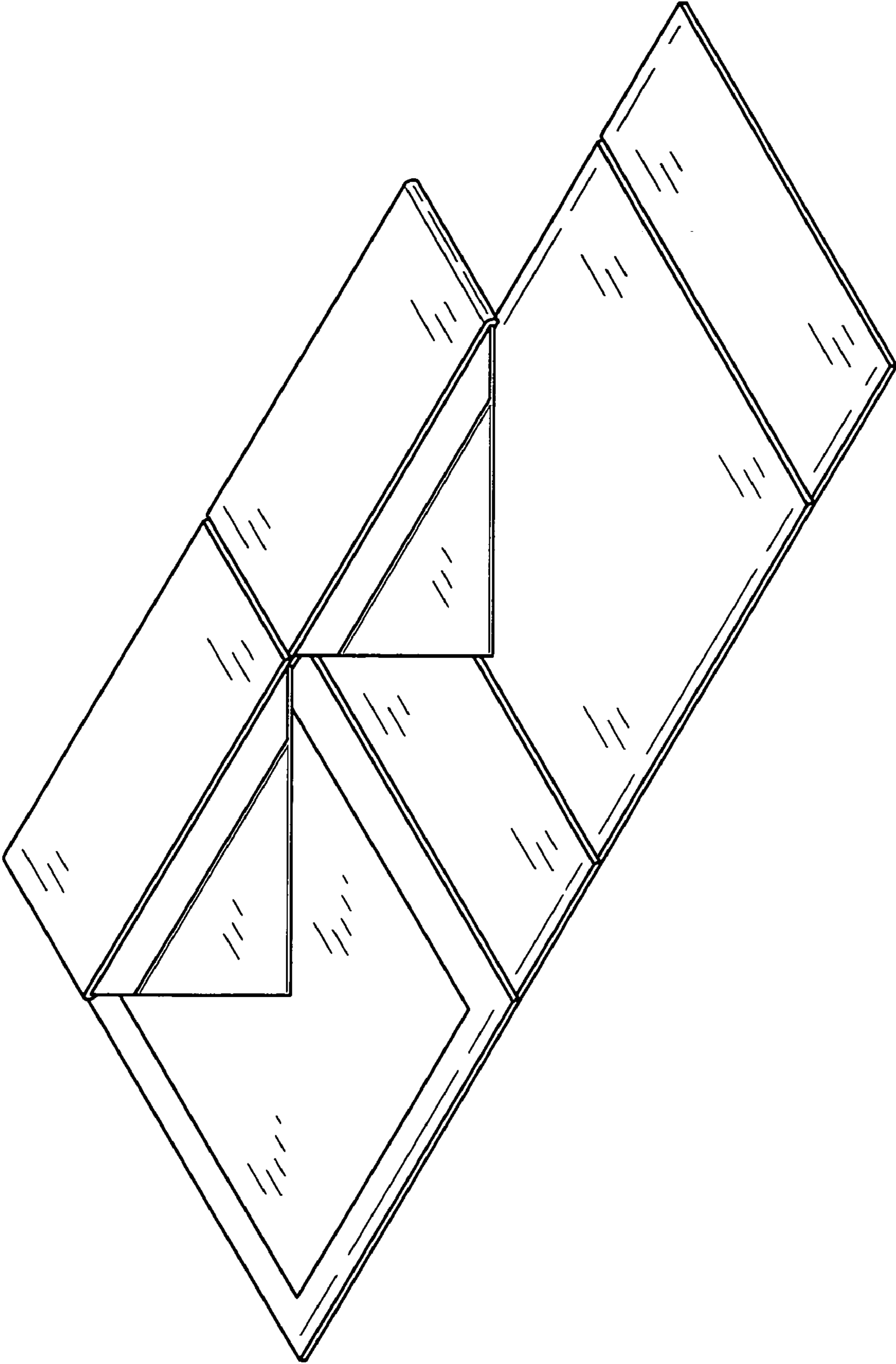


Fig.9